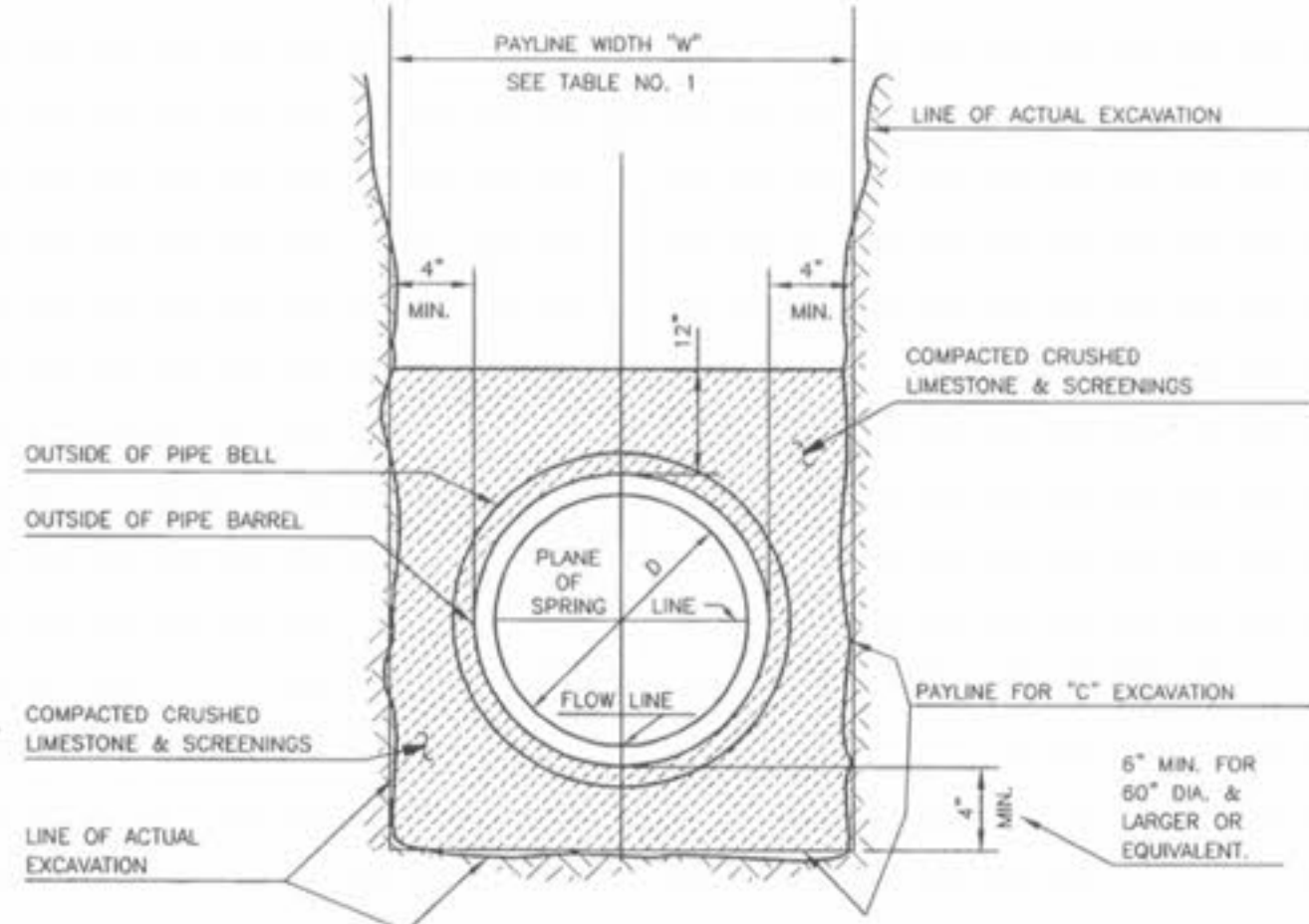
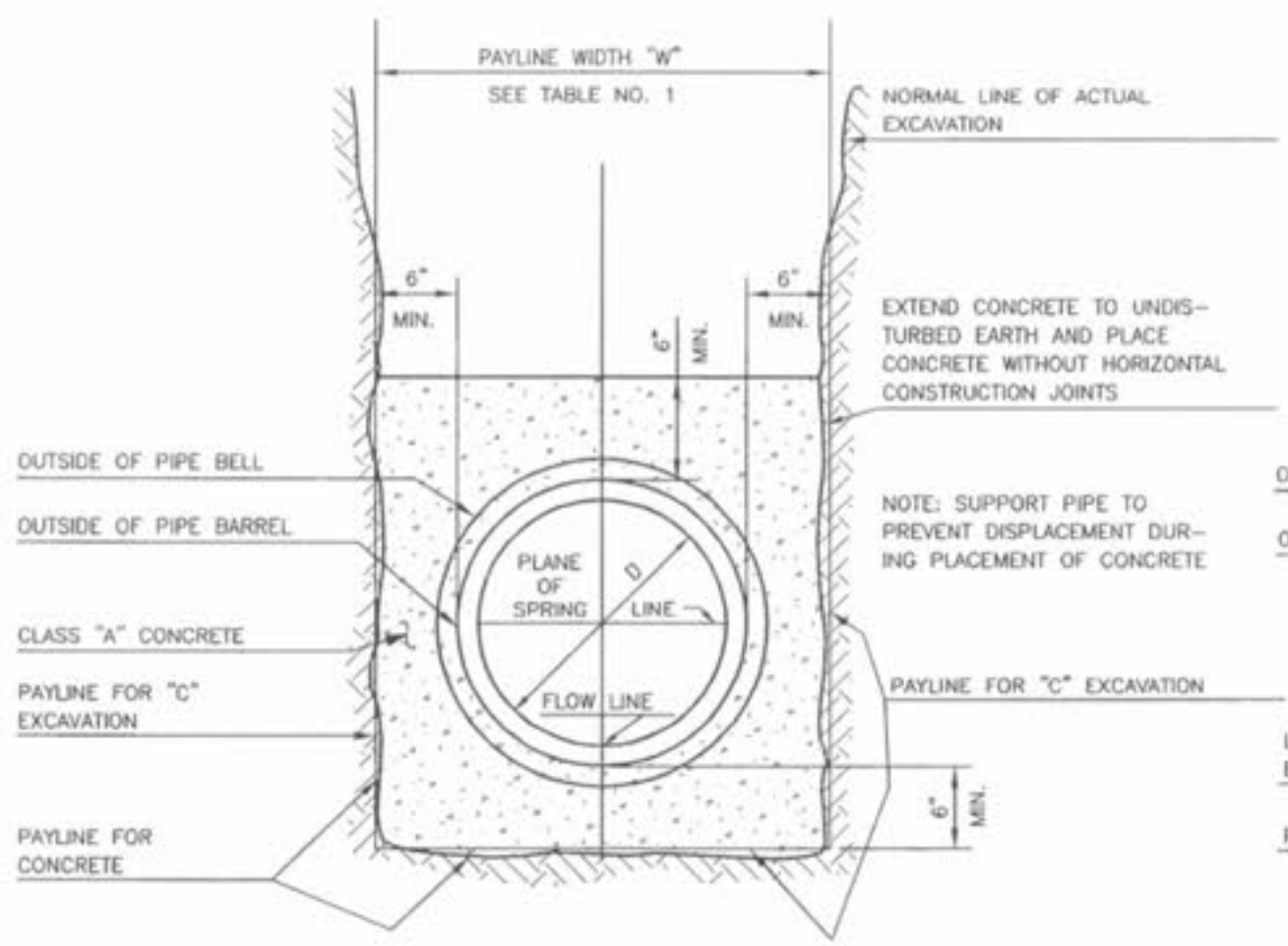


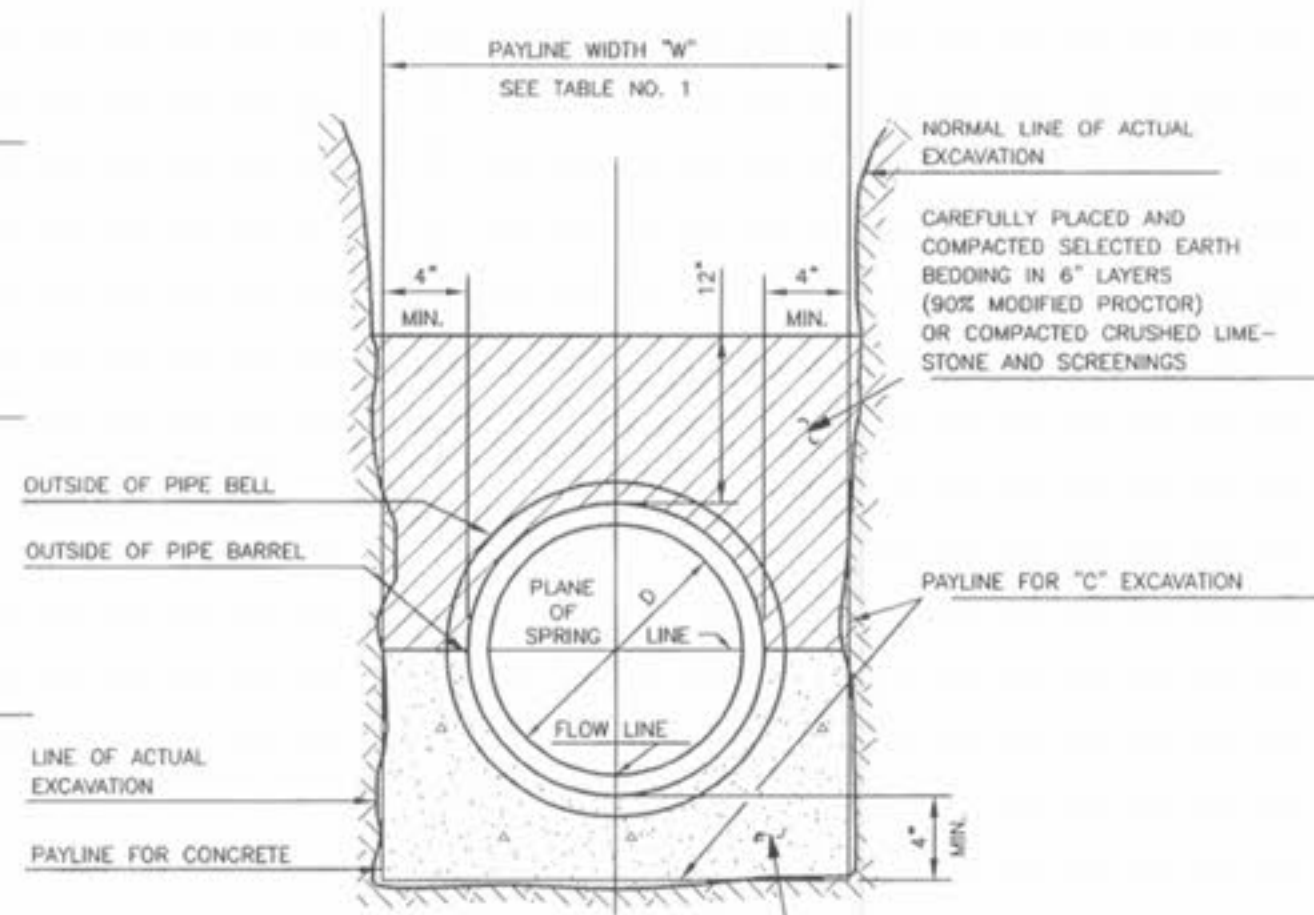
PIPE BEDDING CLASS "C"  
(MODIFIED FOR REINFORCED  
CONCRETE PIPE)



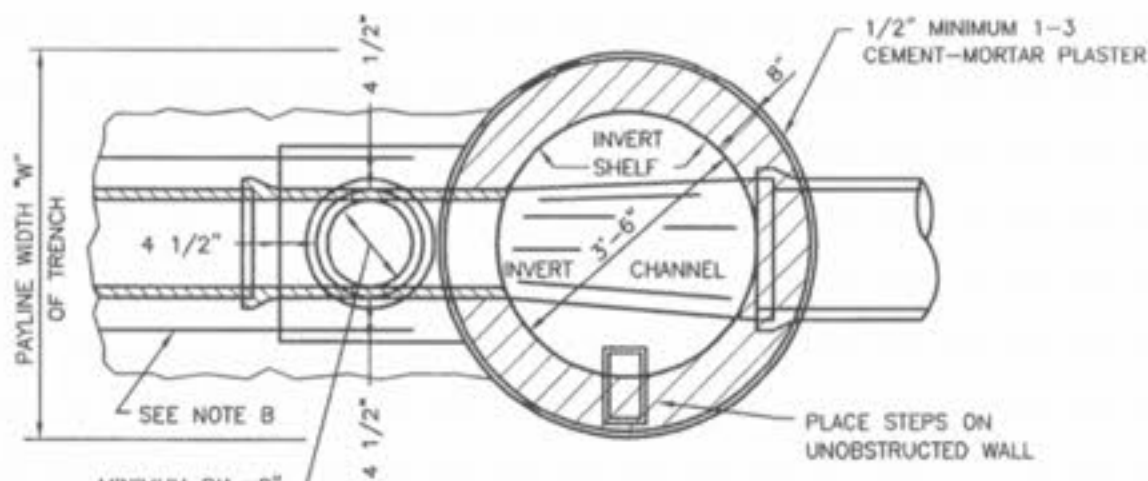
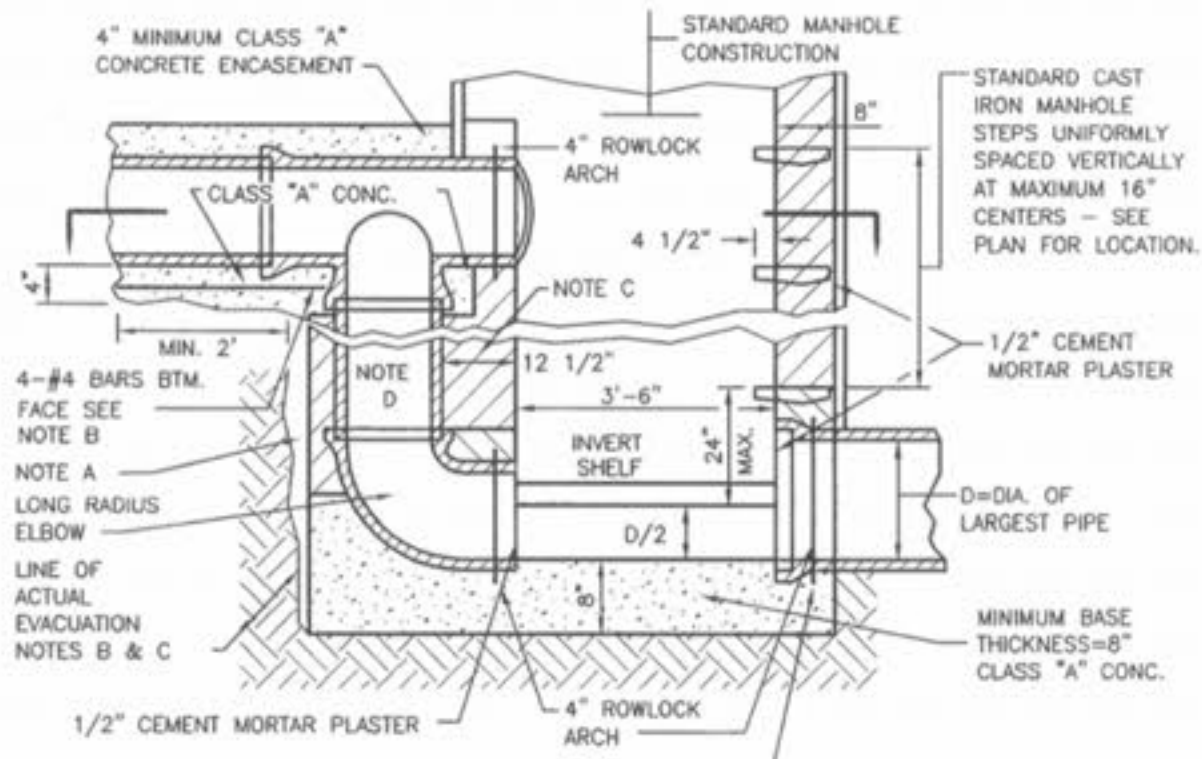
PIPE BEDDING CLASS "C"  
(FOR ALL PIPE EXCEPT  
REINFORCED CONCRETE PIPE)



CONCRETE ENCASEMENT



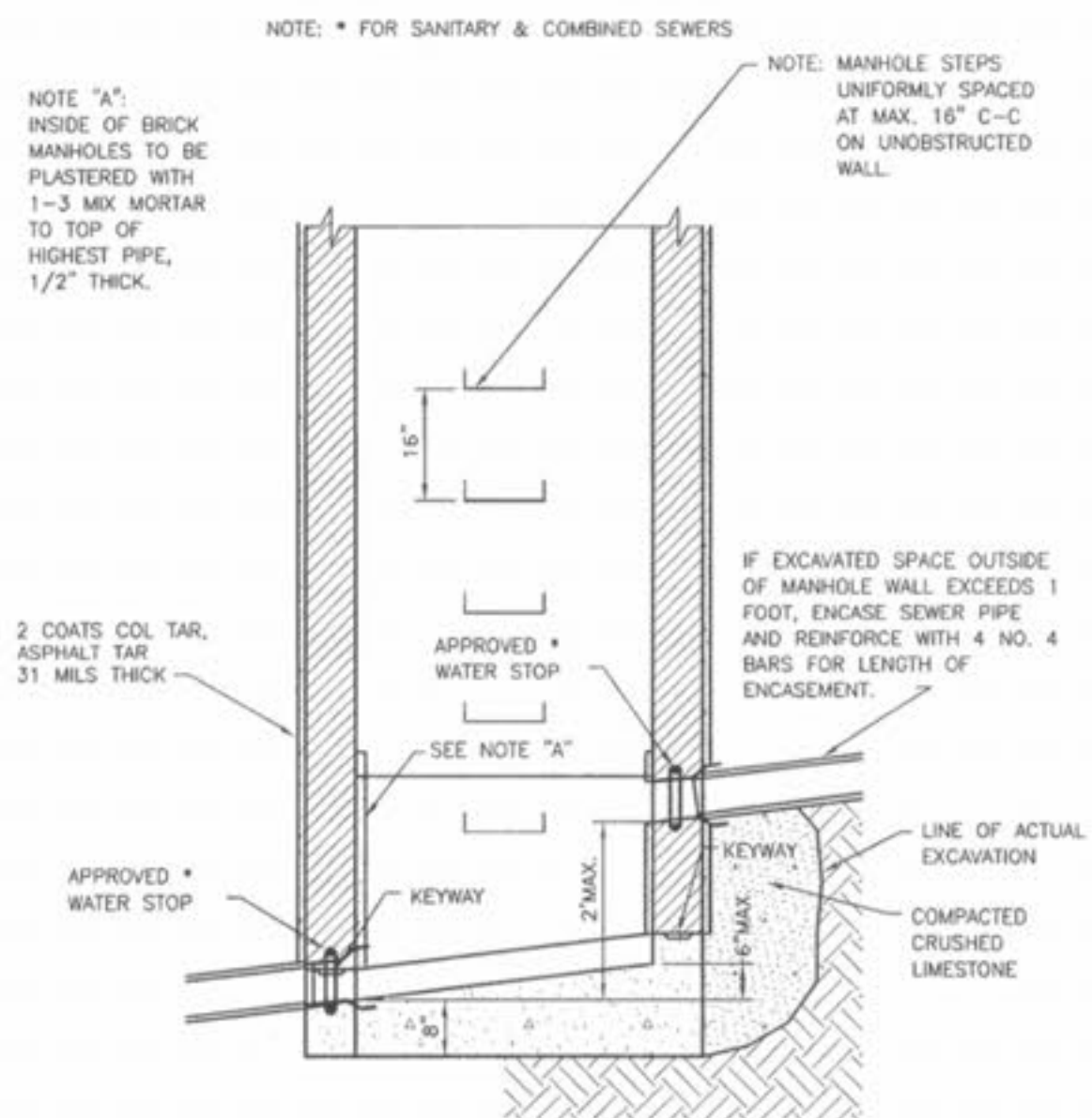
( CLASS "A" BEDDING )  
CONCRETE CRADLE



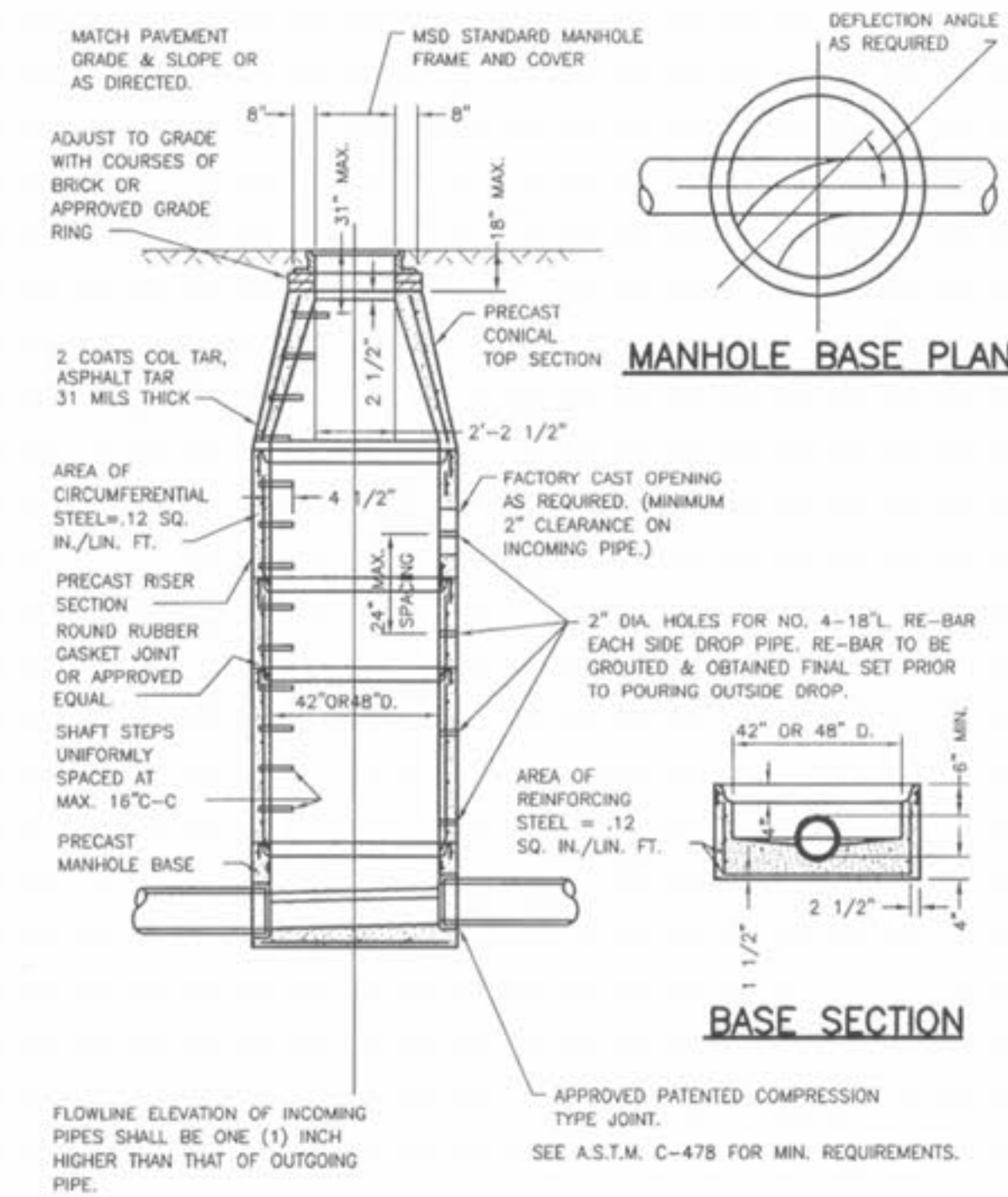
PLAN SECTION

SEE ACCOMPANYING SHEET FOR NOTES.

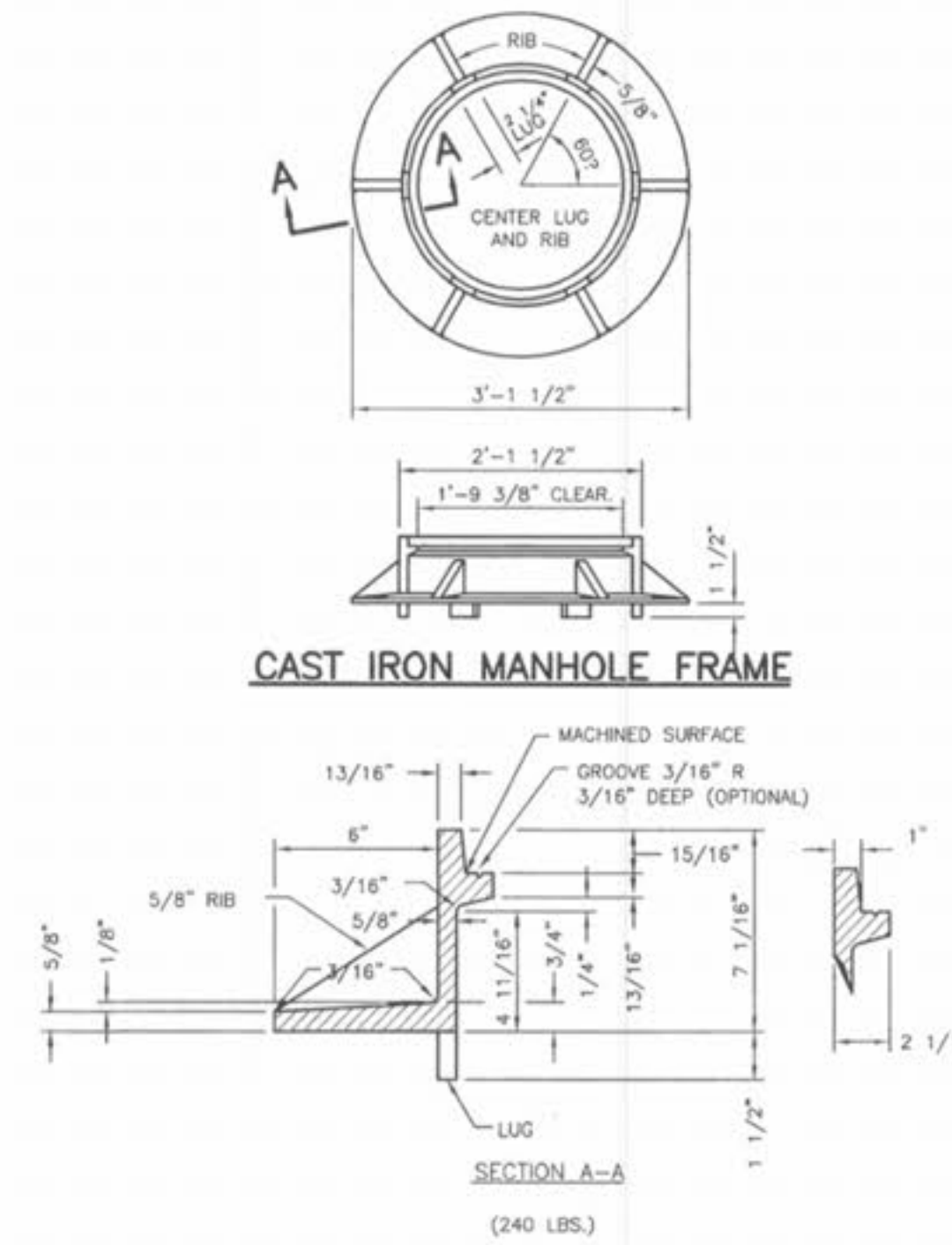
OUTSIDE FOULWATER  
DROP MANHOLE



INSIDE DROP  
(8" THRU 24" DIA. PIPE)



PRE-CAST CONCRETE MANHOLE  
FOR SEWERS  
8" THROUGH 12"



CAST IRON  
MANHOLE FRAME



DISCLAIMER OF RESPONSIBILITY  
I HEREBY CERTIFY THAT THE DOCUMENTS REFERRED TO IN THIS SHEET AND I HEREBY ASSUME FULL RESPONSIBILITY FOR ALL COSTS INCURRED IN OBTAINING ESTIMATES, REPORTS OR OTHER DOCUMENTS OR INSTRUMENTS RELATING TO THE PROJECT OR THE DESIGNATION OF ENGINEERING PROJECT OR WORK.

CITY OF O'FALLON  
DEPARTMENT OF PUBLIC  
WORKS DESIGN GROUP  
O'FALLON, MISSOURI

SEAL

DESIGNED: \_\_\_\_\_  
CHECKED: \_\_\_\_\_  
DATE: \_\_\_\_\_  
PROJECT NO.: \_\_\_\_\_

SHEET  
OF

MAGNOLIA  
SANITARY DETAILS 1

ST. CHARLES ENGINEERING & SURVEYING, INC.  
801 S. FIFTH STREET, SUITE 202  
ST. CHARLES, MO 63301  
TEL: (636) 947-0607 FAX: (636) 947-2448



ORDER NO.  
03-0498  
DATE  
12/1/03  
D6