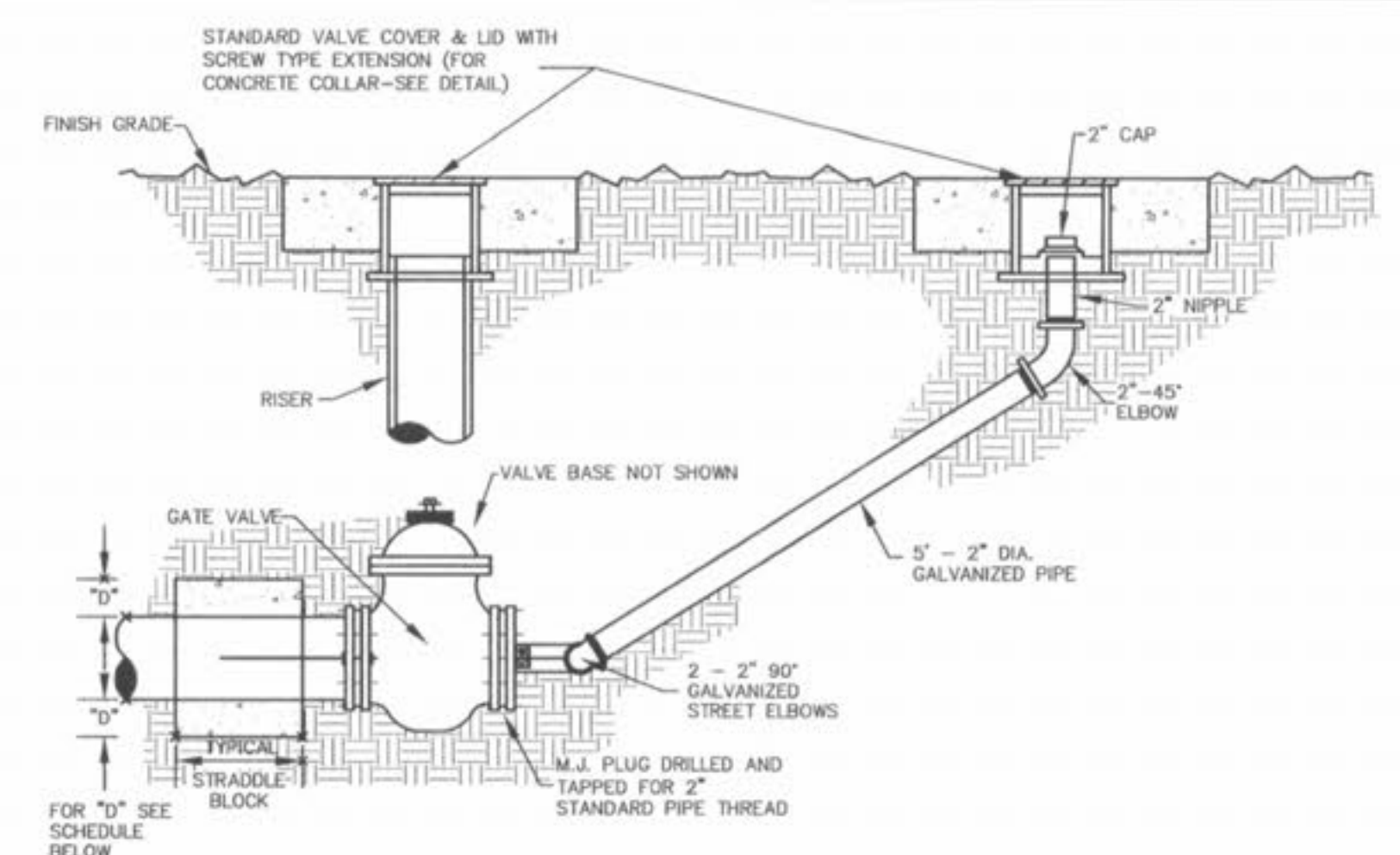
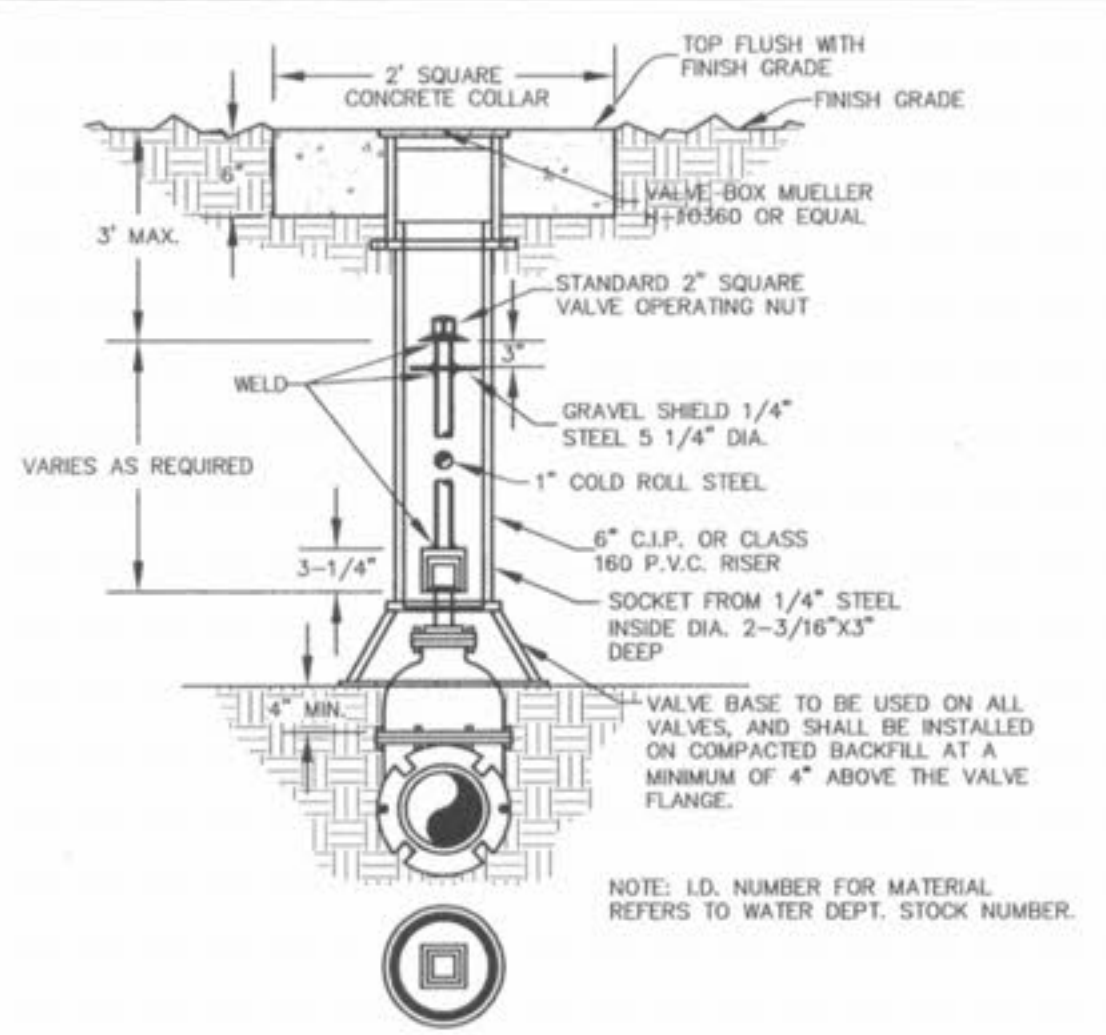


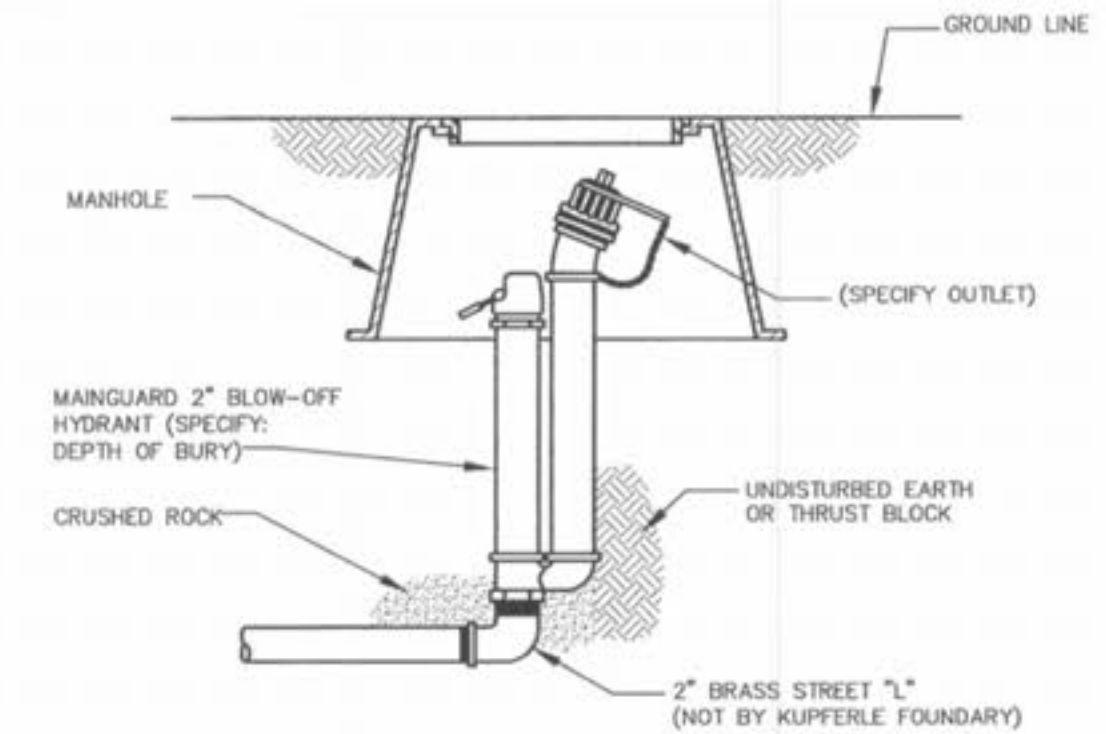
MANUAL AIR VALVE DETAIL
NOT TO SCALE



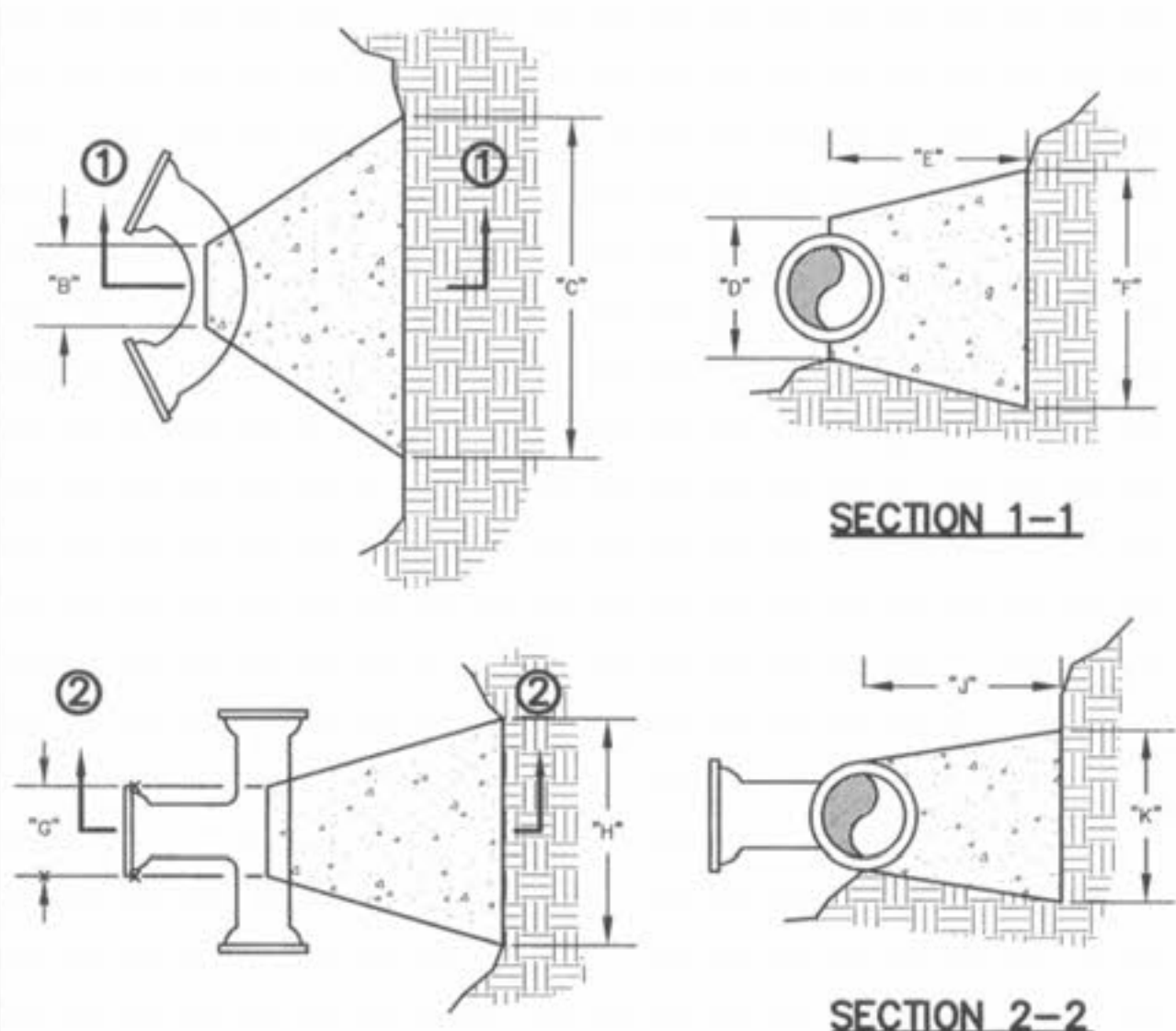
FLUSHING ASSEMBLY
NOT TO SCALE



WATER VALVE DETAIL
NOT TO SCALE

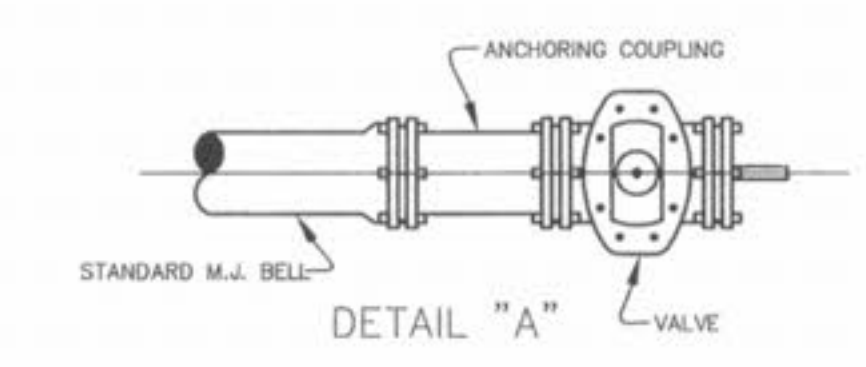


BLOW-OFF HYDRANT
NOT TO SCALE

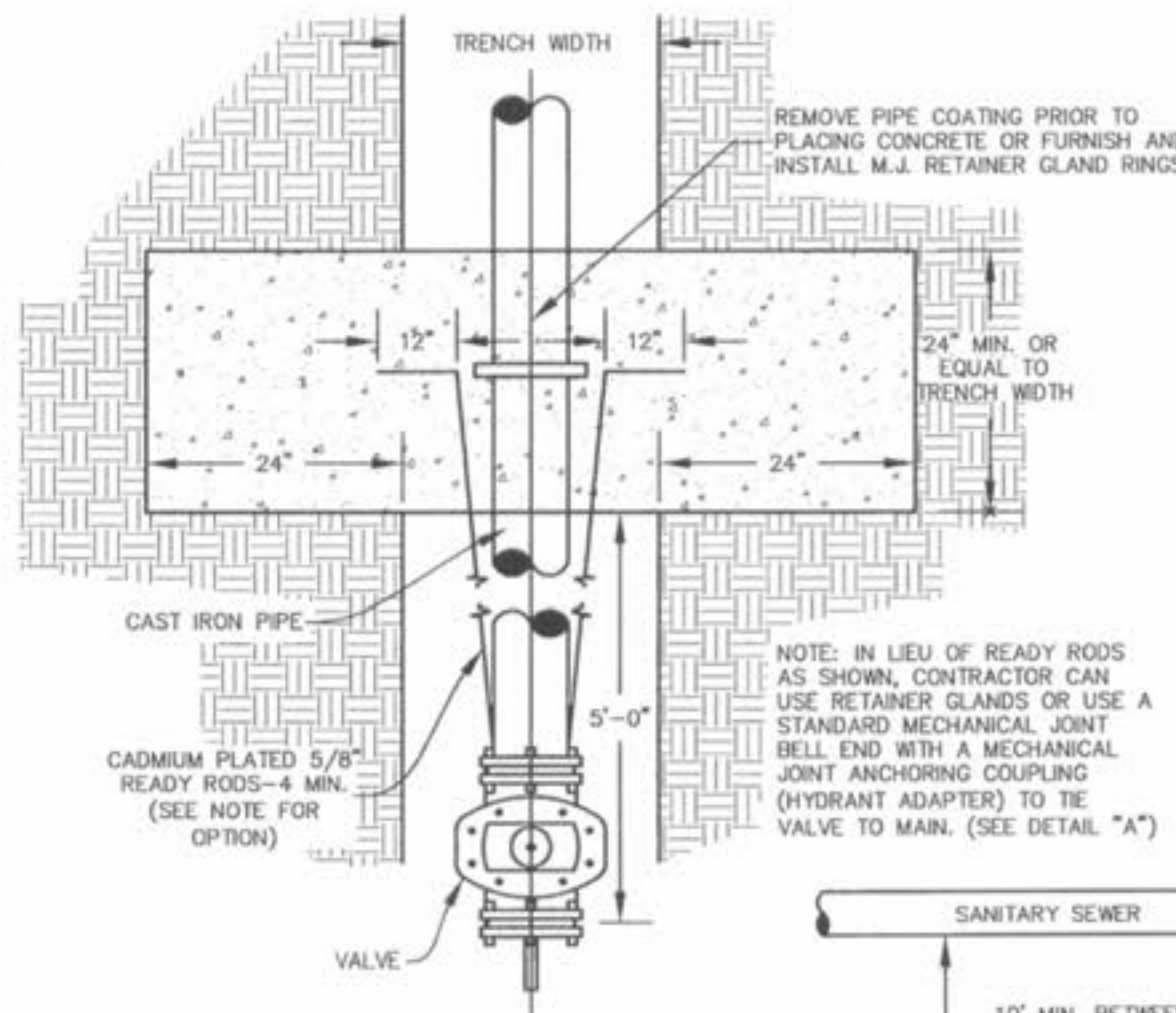


SECTION 1-1

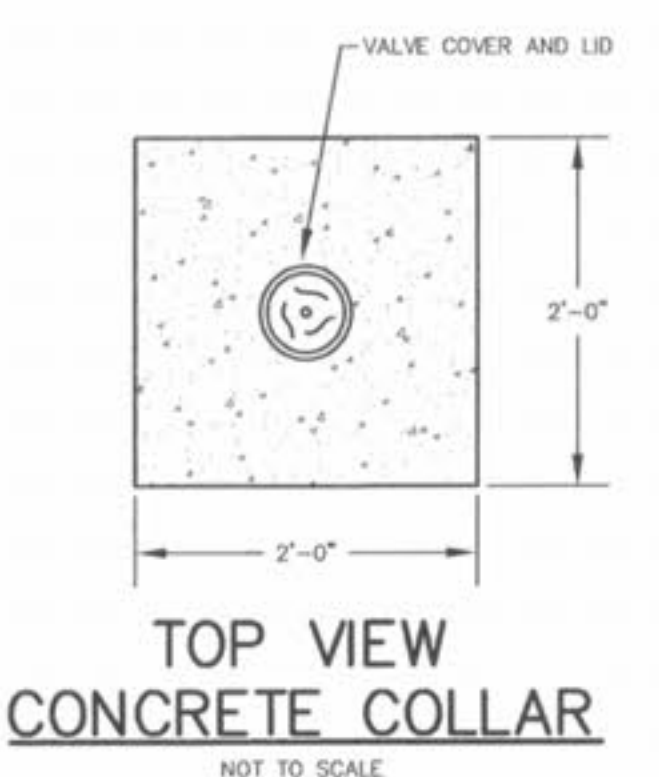
SECTION 2-2



DETAIL "A"



STRADDLE BLOCK DETAIL
NOT TO SCALE



TOP VIEW CONCRETE COLLAR
NOT TO SCALE

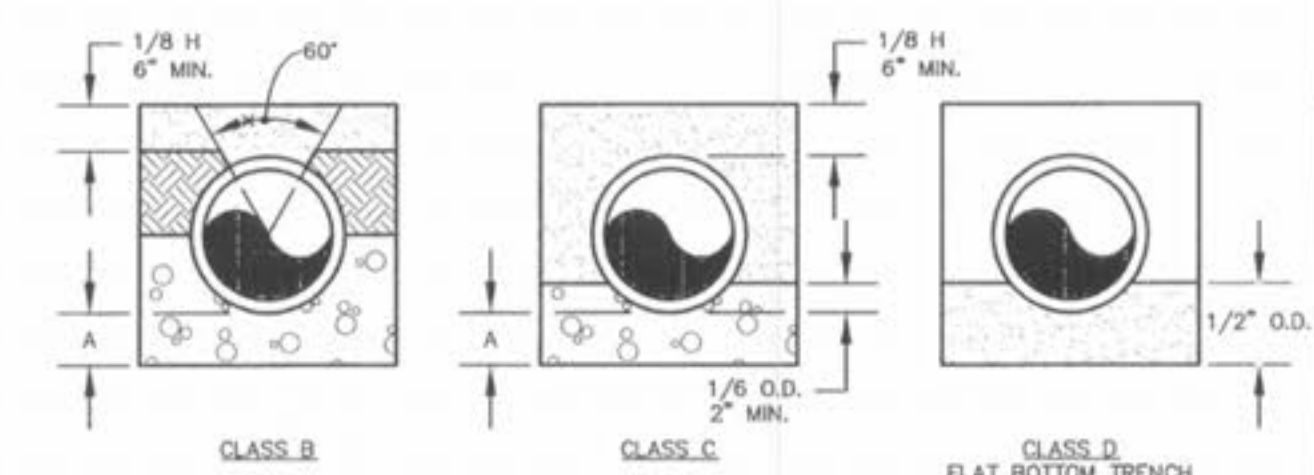


TABLE OF EMBEDMENT DEPTHS BELOW PIPE

BENDS

BENDS	"B"	"C"	"D"	"E"	"F"
6"-11 1/4"	8"	15"	12"	24"	10"
6"-22 1/2"	8"	19"	12"	24"	13"
6"-45"	8"	30"	12"	24"	14"
6"-90"	8"	30"	12"	24"	27"
8"-11 1/4"	8"	20"	12"	24"	10"
8"-22 1/2"	8"	22"	12"	24"	17"
8"-45"	8"	30"	12"	24"	24"
8"-90"	8"	38"	12"	24"	38"
12"-11 1/4"	8"	30"	12"	24"	15"
12"-22 1/2"	8"	35"	12"	24"	25"
12"-45"	8"	40"	12"	24"	40"
12"-90"	8"	60"	12"	24"	52"

TEES

TEES	"C"	"H"	"J"	"K"
6"x6"x6"	12"	24"	24"	18"
8"x8"x8"	12"	24"	24"	18"
8"x8"x8"	12"	24"	24"	24"
12"x12"x8"	12"	24"	24"	24"
12"x12"x12"	12"	36"	24"	36"

CUBIC FEET OF CONCRETE REQUIRED

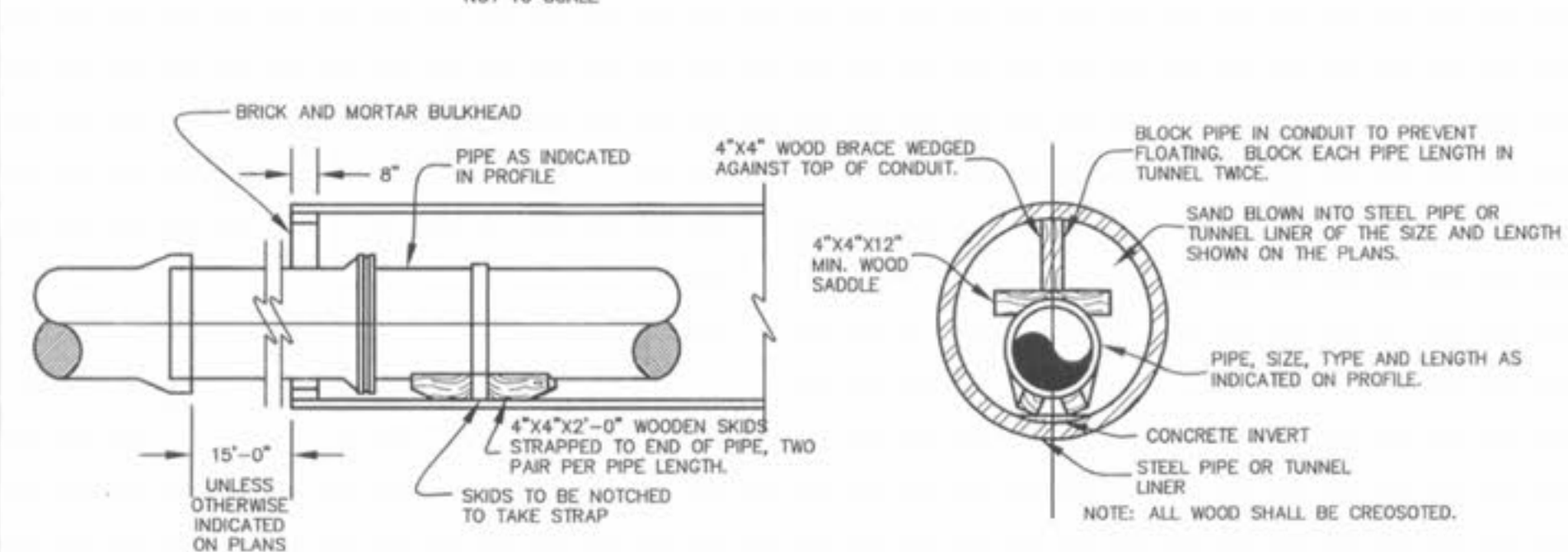
BEND	11 1/4"	22 1/2"	45"	90"
6"	1.7	2.4	3.5	5.5
8"	2.1	3.1	5.0	6.5
12"	3.7	5.9	9.7	17.5

TEE X

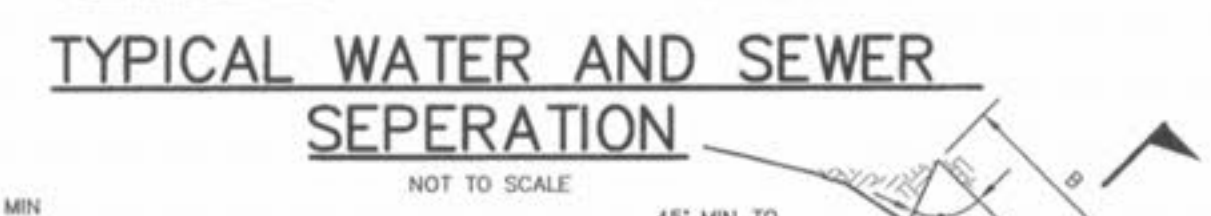
TEE X	6"	8"	12"	PLUG
6"	40	~	~	4.0
8"	40	5.0	~	5.0
12"	40	5.5	10.5	10.5

NOTES:
1. 2" & 4" FITTINGS EQUIVALENT TO 6" FITTINGS.
2. TAPPING SLEEVES TO HAVE BACKING BLOCKS SAME SIZE AS REQUIRED FOR TEES.

BACKING BLOCKS



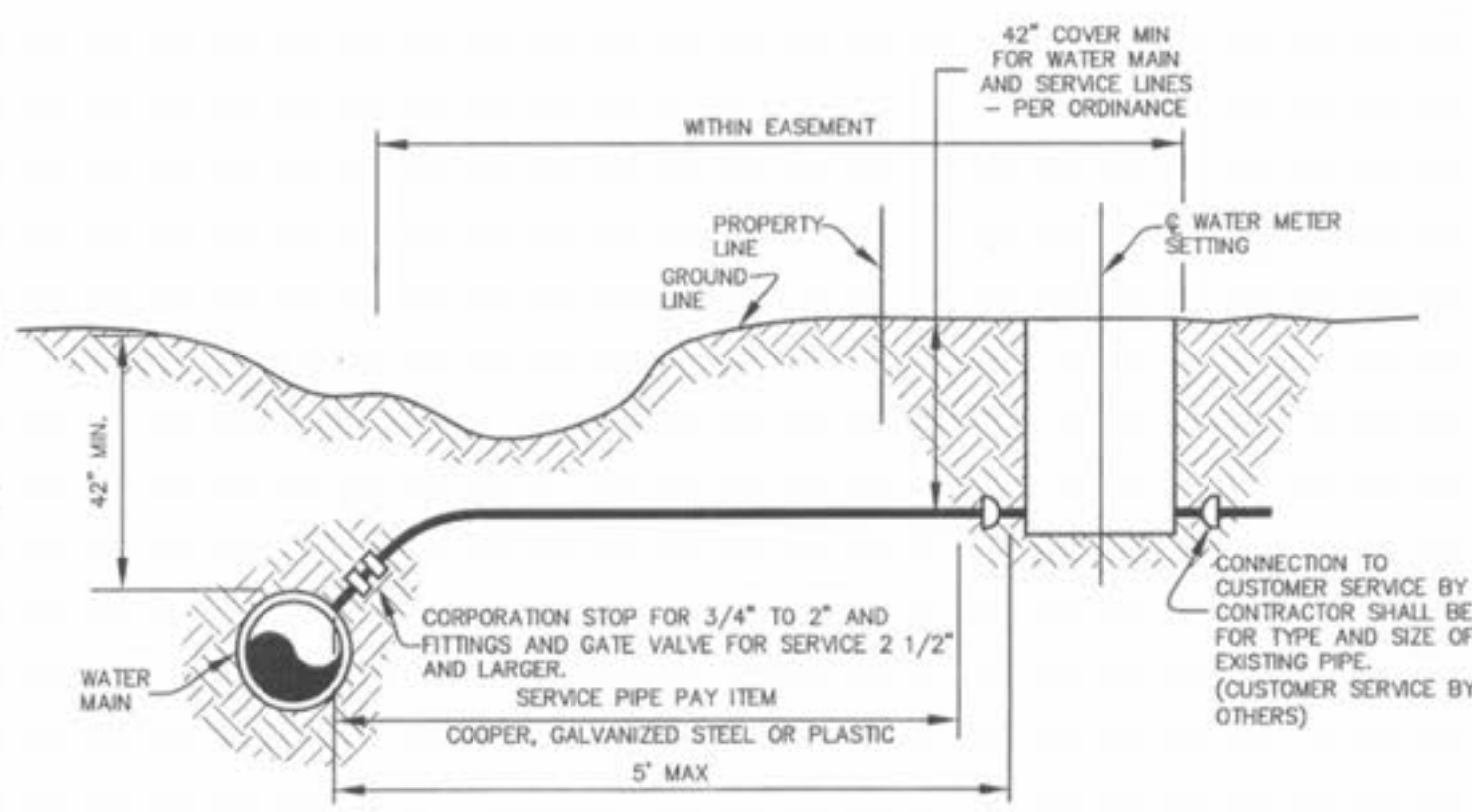
TUNNEL LINER DETAIL
NOT TO SCALE



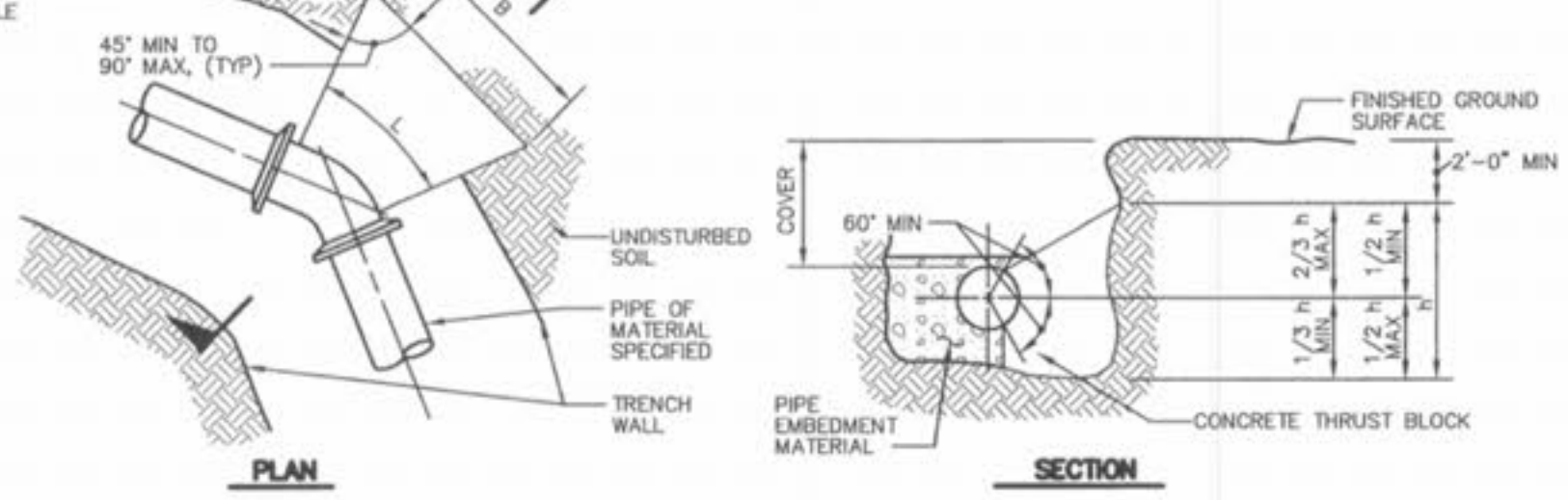
TYPICAL WATER AND SEWER SEPERATION
NOT TO SCALE



WATER MAIN EMBEDMENT
NOT TO SCALE



TYPICAL SERVICE ASSEMBLY
NOT TO SCALE



CONCRETE THRUST BLOCKING
NOT TO SCALE

- NOTES:**
- AREA OF BLOCK, A = Bxh. BLOCK AREAS ARE SHOWN ON GENERAL LAYOUT OR TABLE.
 - B = h = \sqrt{A} , EXCEPT WHERE TOP OF BLOCK IS WITHIN 2 FEET FROM GROUND SURFACE, THEN B = A/h.
 - MINIMUM BLOCK DIMENSION (B & h) SHALL BE AT LEAST OD OF PIPE OR 1 FOOT FOR PIPE OD 12" OR LESS.
 - THE BOTTOM OF THE BLOCK SHALL EXTEND AT LEAST TO THE BOTTOM OF THE TRENCH IN ALL CASES.
 - L-FITTING LENGTH MINUS CLEARANCE FOR BELLS.
 - DETAIL IS SHOWN FOR CAST IRON PIPE; DETAIL IS SIMILAR FOR OTHER TYPES OF PIPE.
 - DIMENSIONS FOR THRUST BLOCKS FOR FIRE HYDRANT ASSEMBLY ARE SHOWN FIRE HYDRANT ASSEMBLY DETAIL.

SIZE	BEND	THRUST AREA	B	H
16"	11 1/2"	4 SF	2'	2'
16"	45"	8 SF	2.8'	2.8'

**CITY OF FALLON
COMMUNITY DEVELOPMENT
DESIGN DIVISION
O'FALLON, MISSOURI**

**MAGNOLIA
WATERLINE DETAILS 1**

ST. CHARLES ENGINEERING & SURVEYING, INC.
801 S. FIFTH STREET, SUITE 202
ST. CHARLES, MO 63301
TEL: (636) 947-0607 FAX: (636) 947-2445



DISCLAIMER OF RESPONSIBILITY
I HEREBY CERTIFY THAT THE DOCUMENTS REFERRED TO ARE PREPARED BY MY FIRM AND ARE LIMITED TO THE SCOPE AND I HEREBY DISCLAIM ANY RESPONSIBILITY FOR ALL OTHER INFORMATION CONTAINED OR REFERENCED HEREIN TO OR BEYOND THE SCOPE OF THE ARCHITECTURAL OR ENGINEERING PROJECT OR PROJECTS.

S E S

DESIGNED: _____
CHECKED: _____
DATE: _____
PROJECT NO.: _____
SHEET _____
OF _____

ORDER NO.
03-0498
DATE
12/1/03
D8