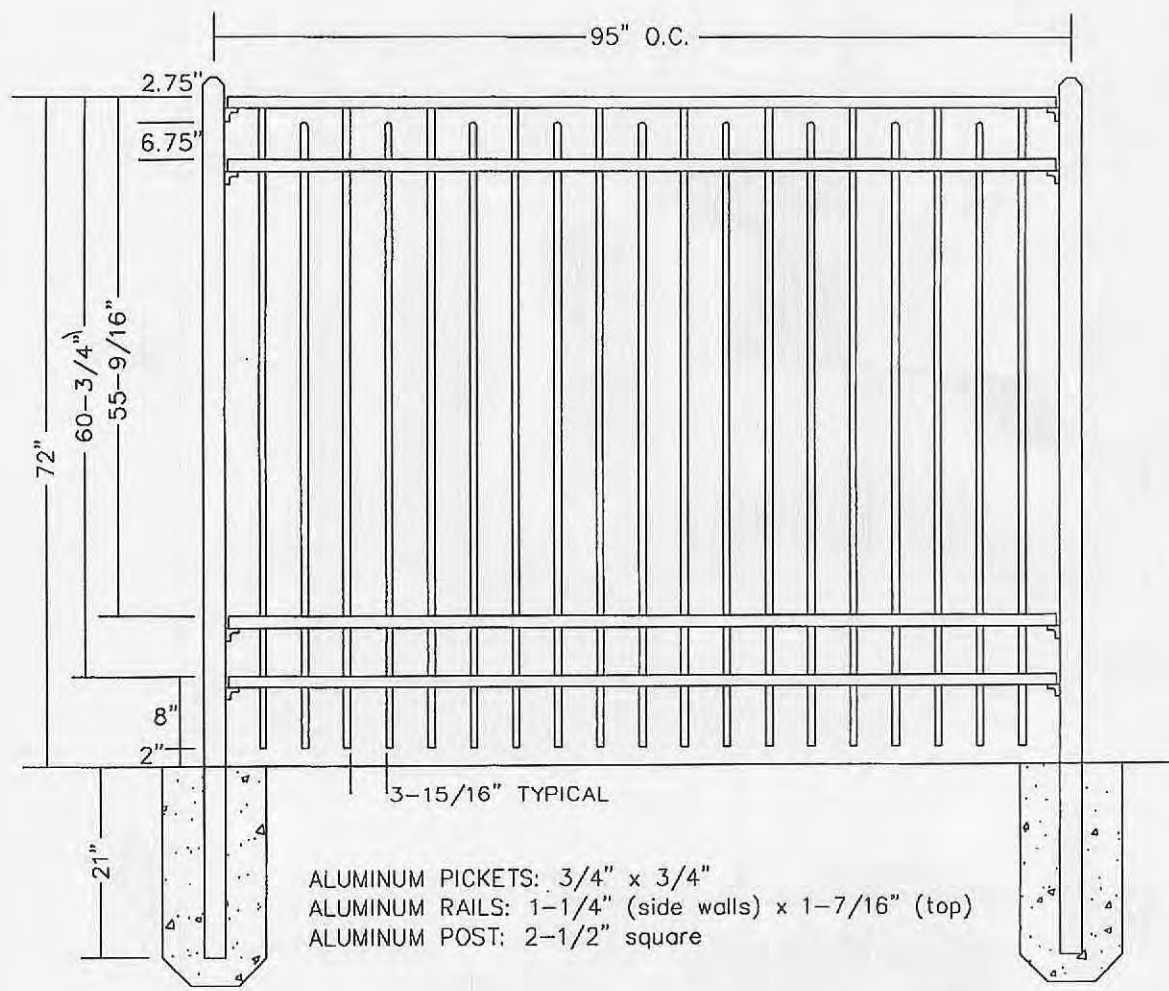
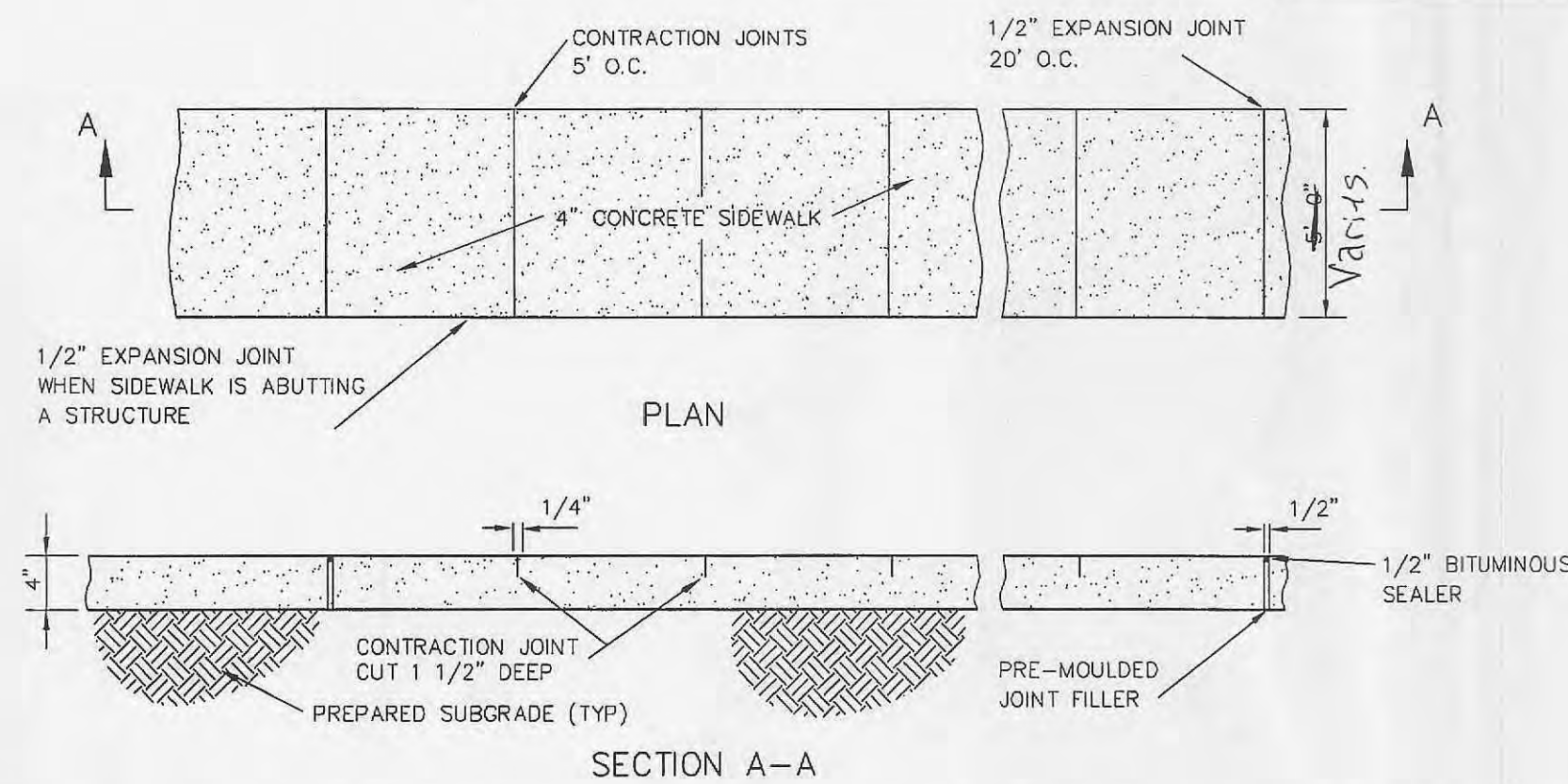
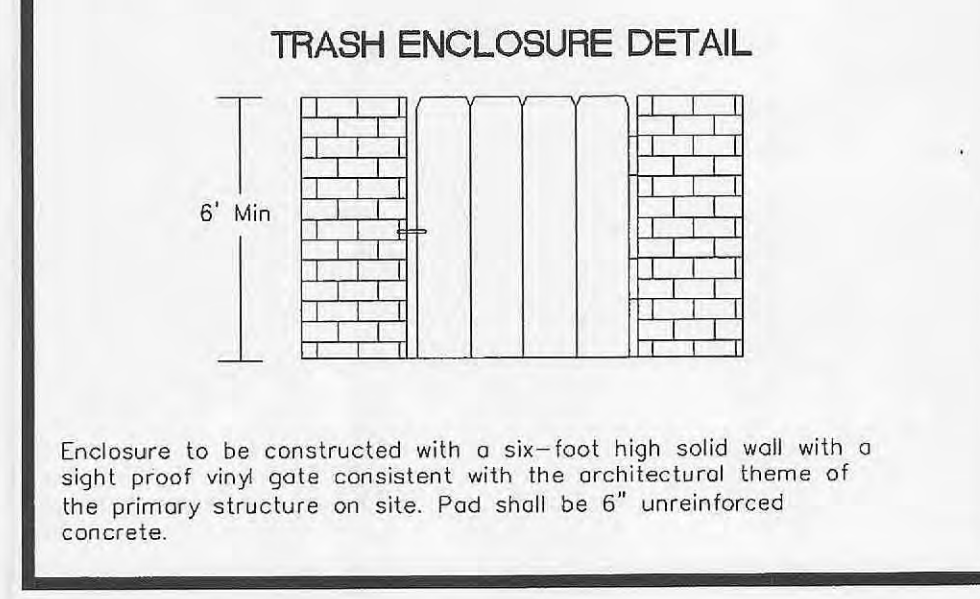
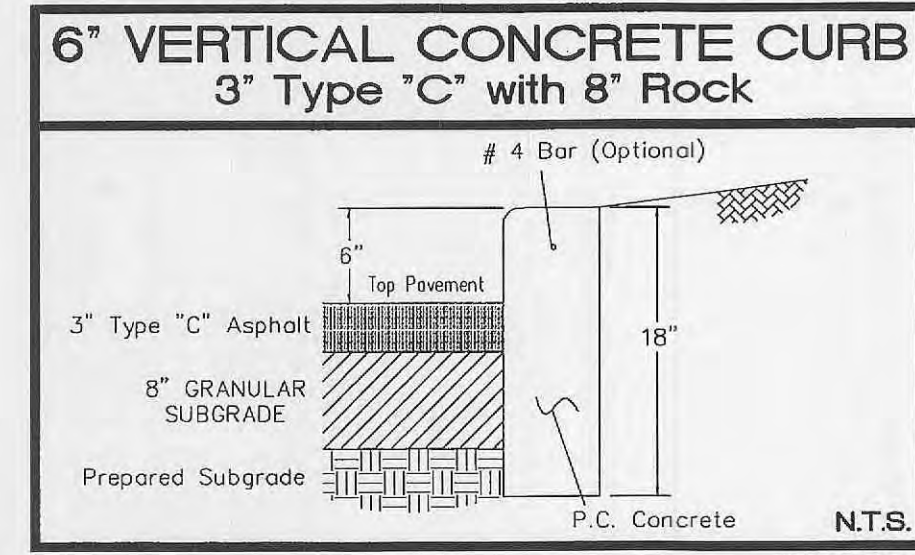
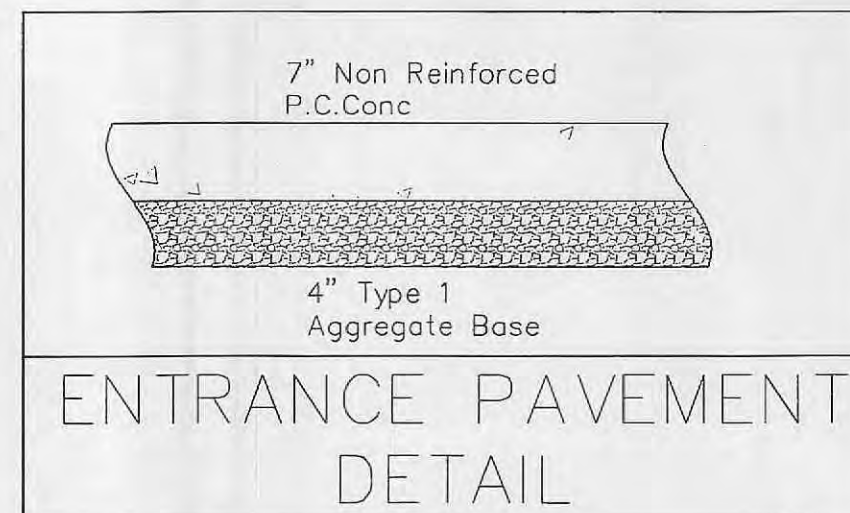
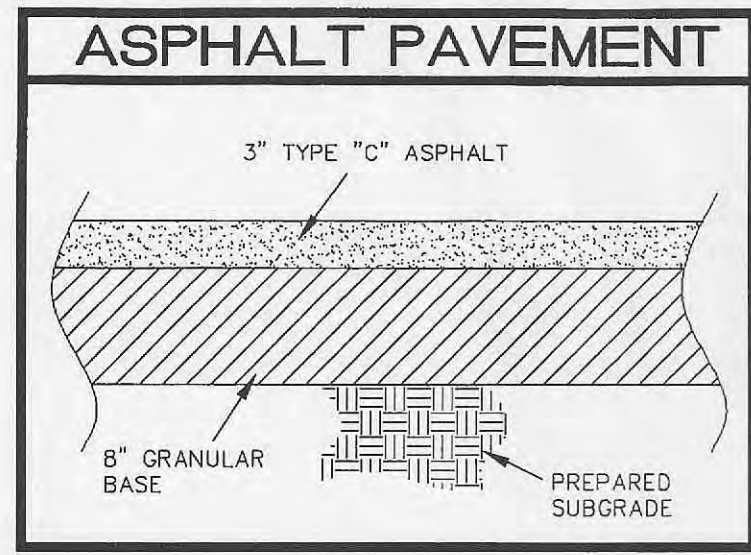
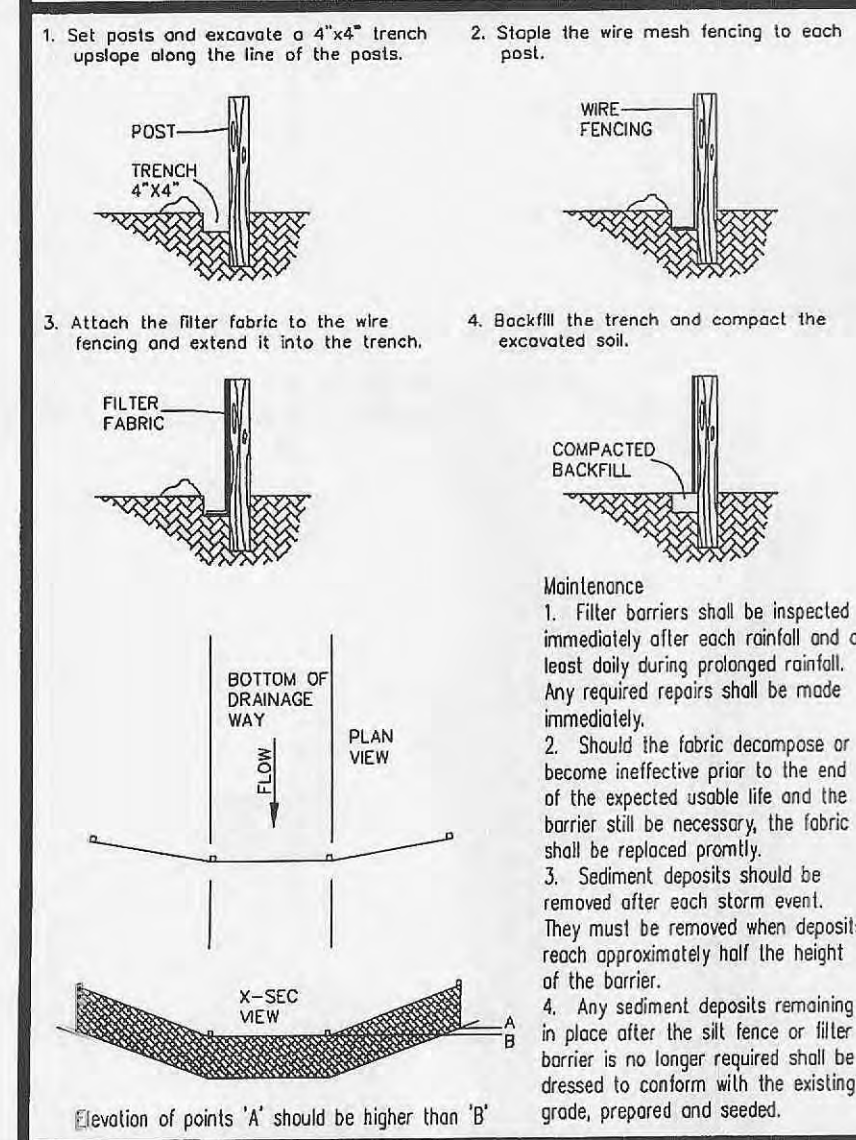


BICYCLE RACK DETAIL

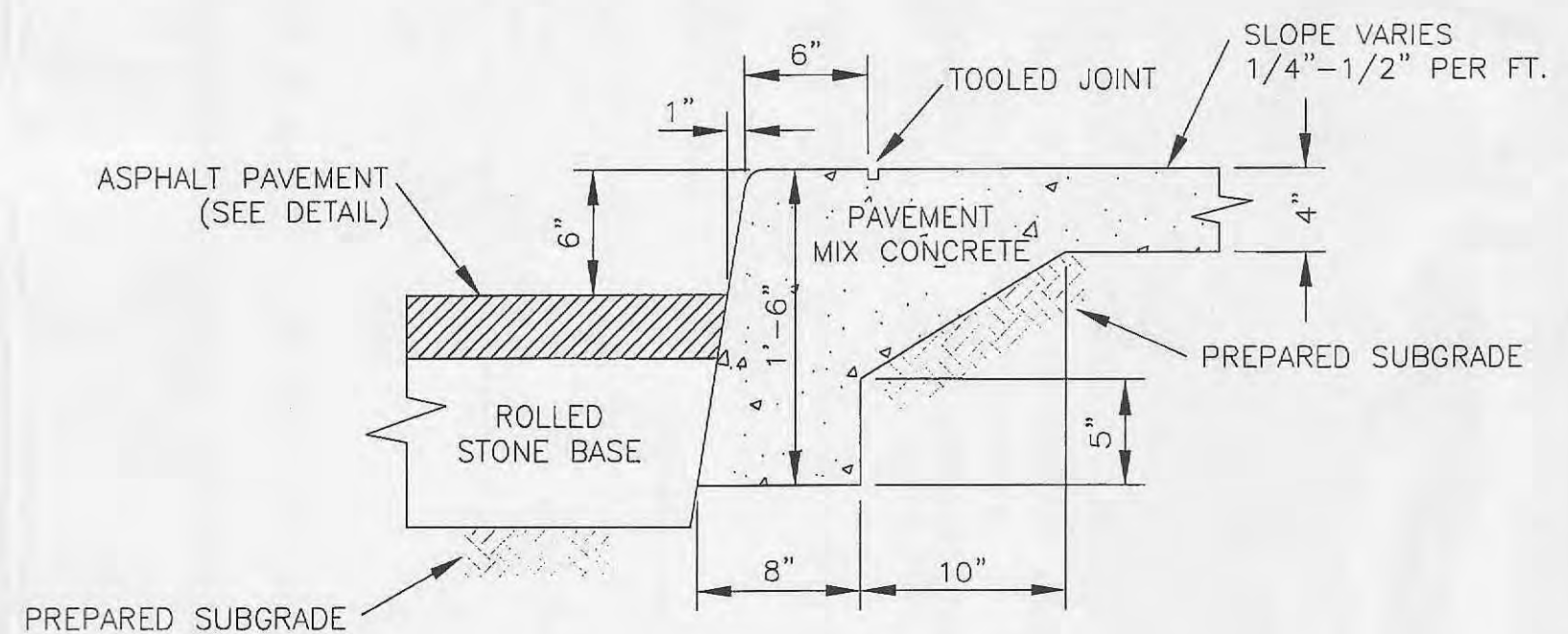


CONQUEROR 4-RAIL FENCE DETAIL

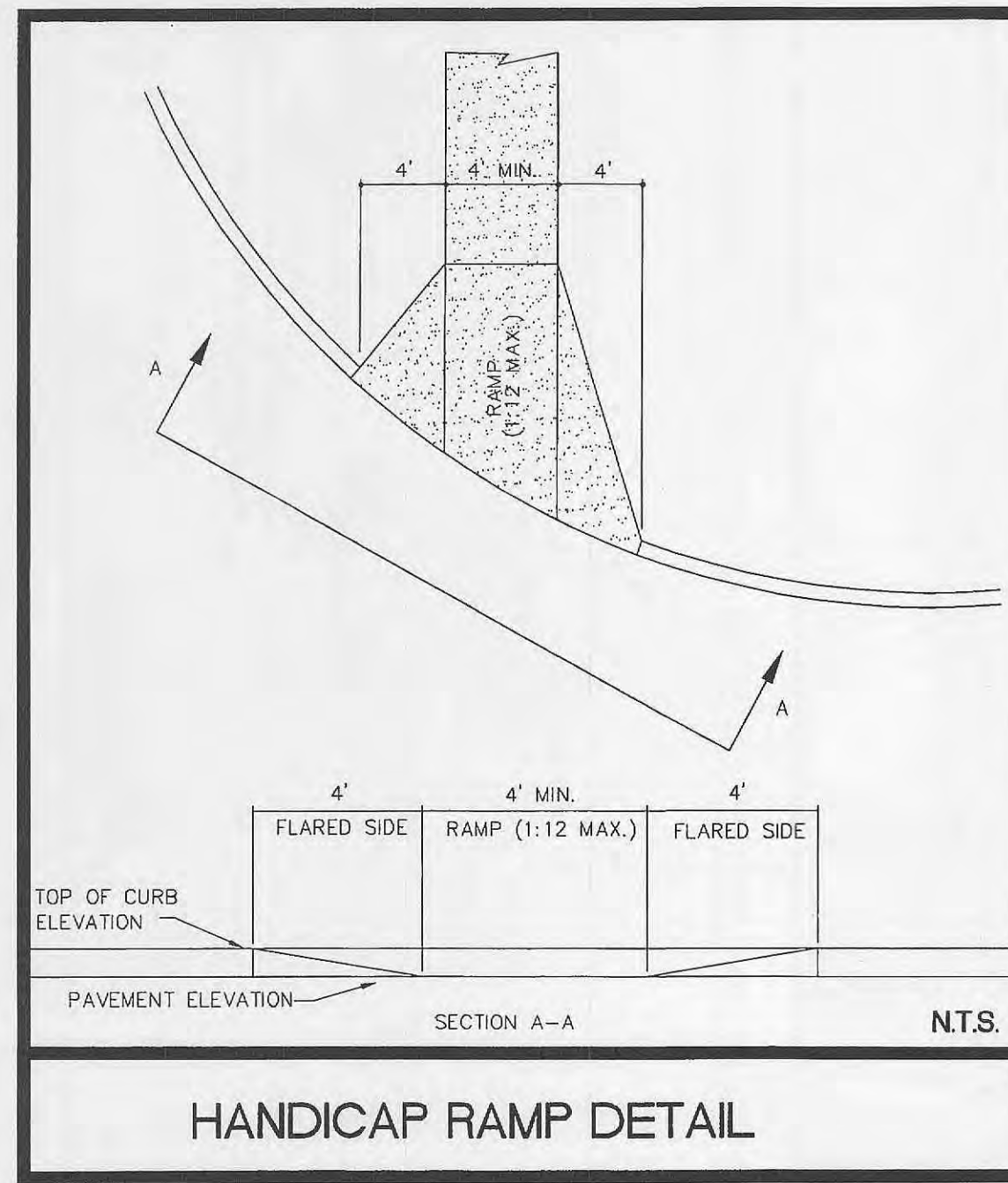
SYNTHETIC FILTER BARRIERS



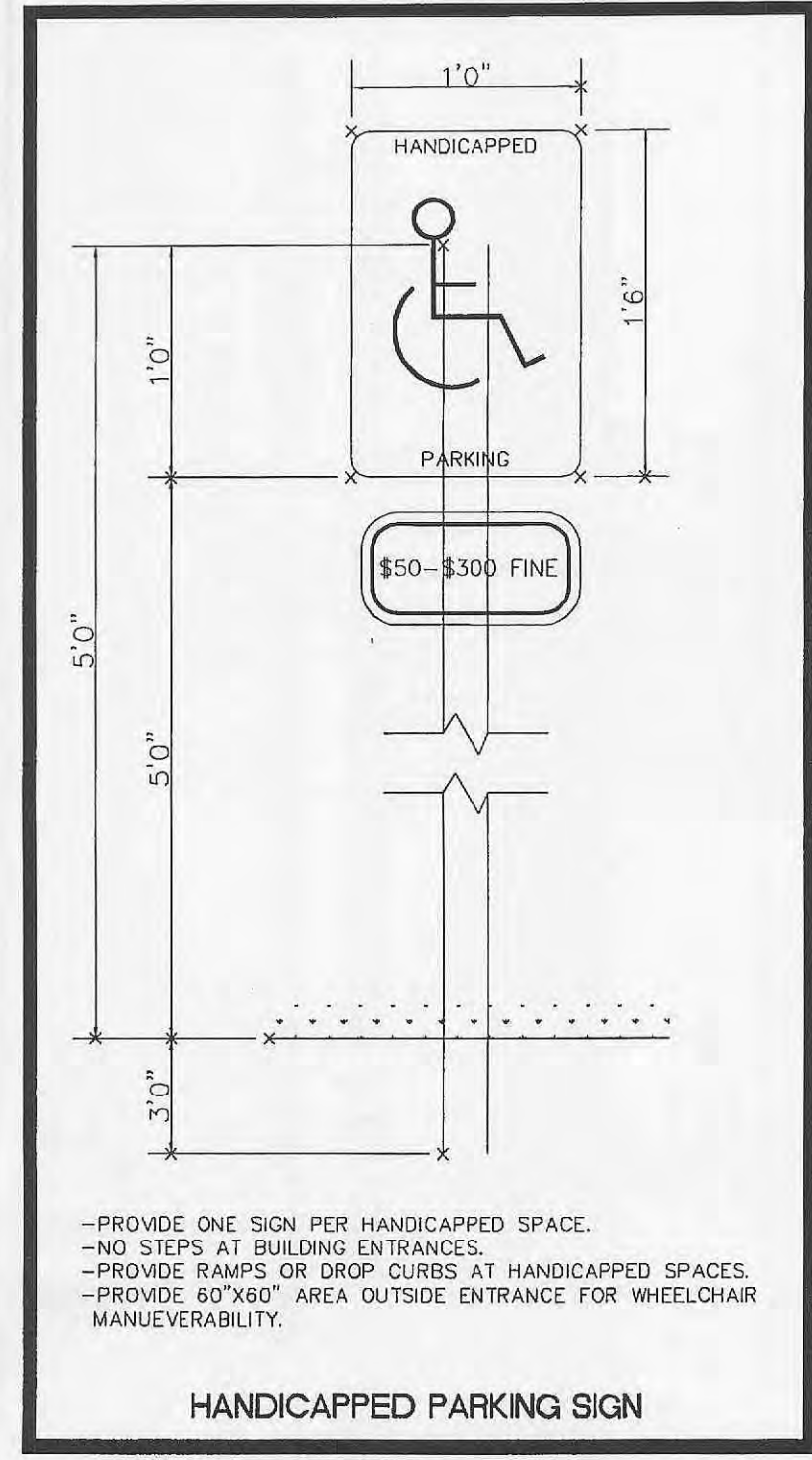
DETAIL OF CONCRETE SIDEWALK



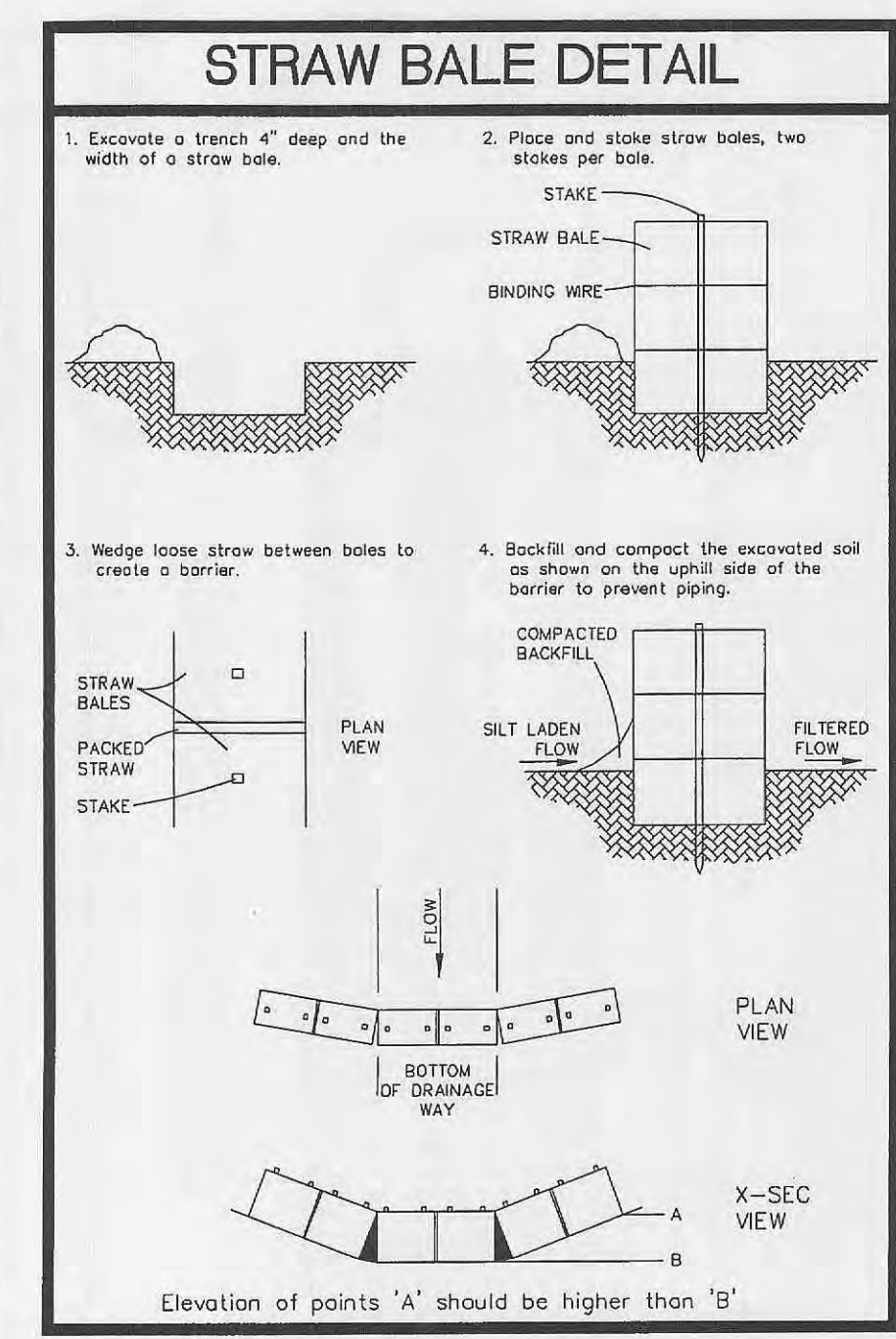
INTEGRAL SIDEWALK & CURB



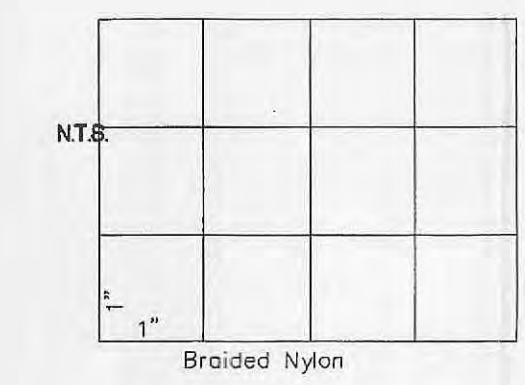
HANDICAP RAMP DETAIL



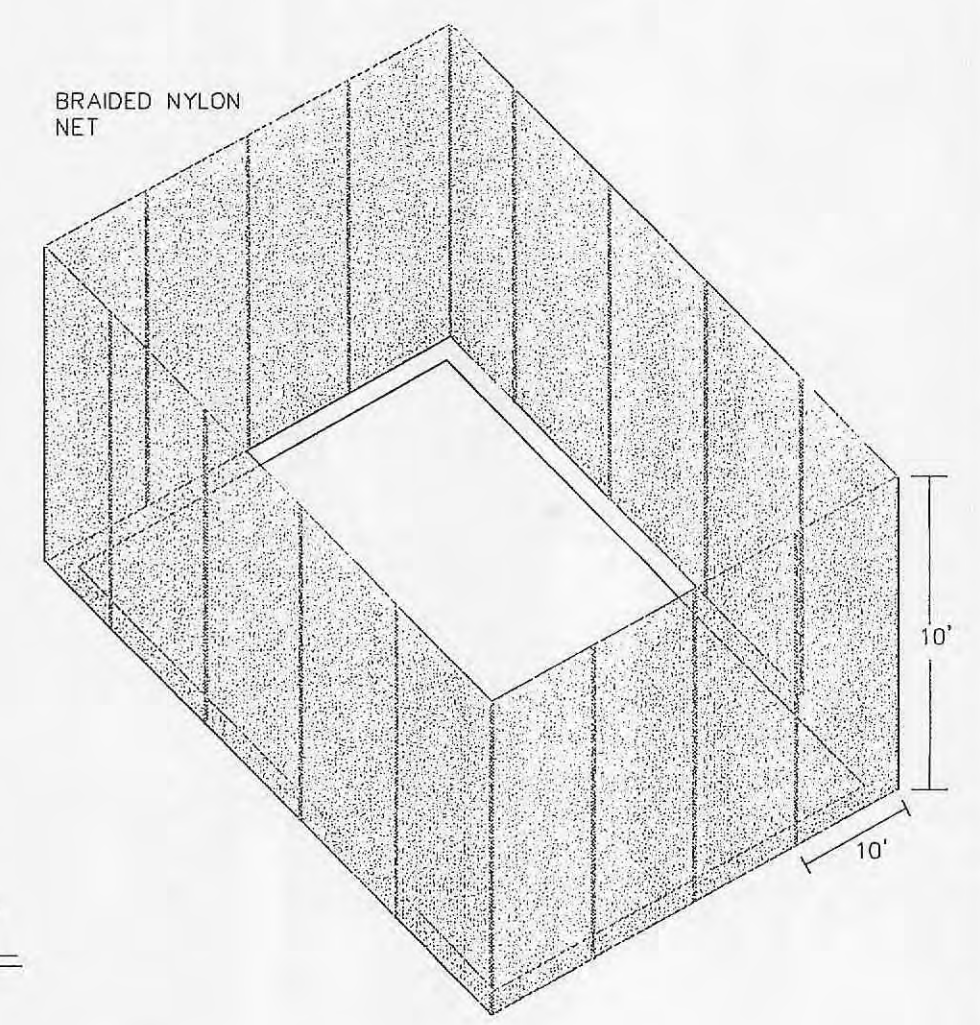
HANDICAPPED PARKING SIGN



STRAW BALE DETAIL



NETTING DETAIL



MAGNOLIA SUBDIVISION
AMENITIES PACKAGE
DETAIL SHEET

ST. CHARLES ENGINEERING & SURVEYING, INC.
801 S. FIFTH STREET, SUITE 202
ST. CHARLES, MO 63301
TEL: (636) 947-0607 FAX: (636) 947-2448

S | C | E | S

ORDER NO. 03-0498
DATE 09/01/04
5