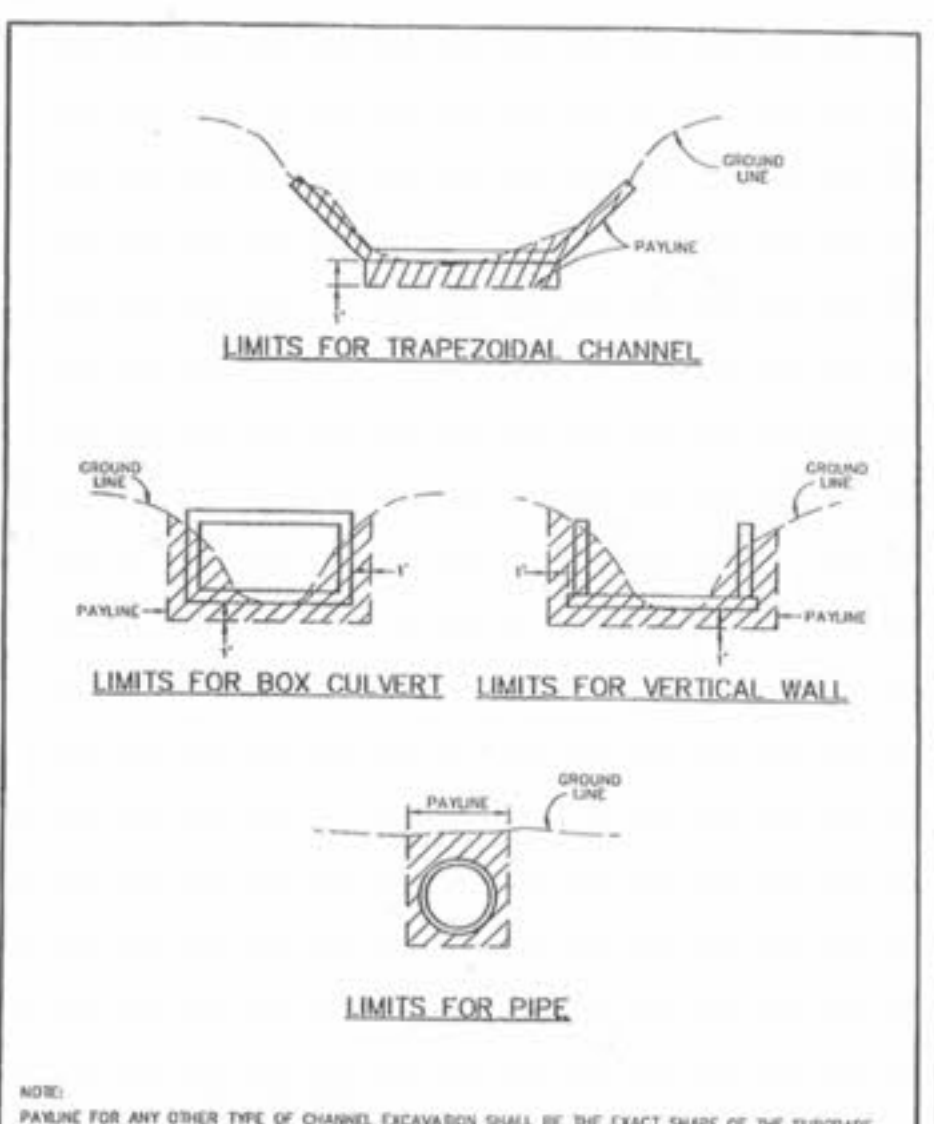
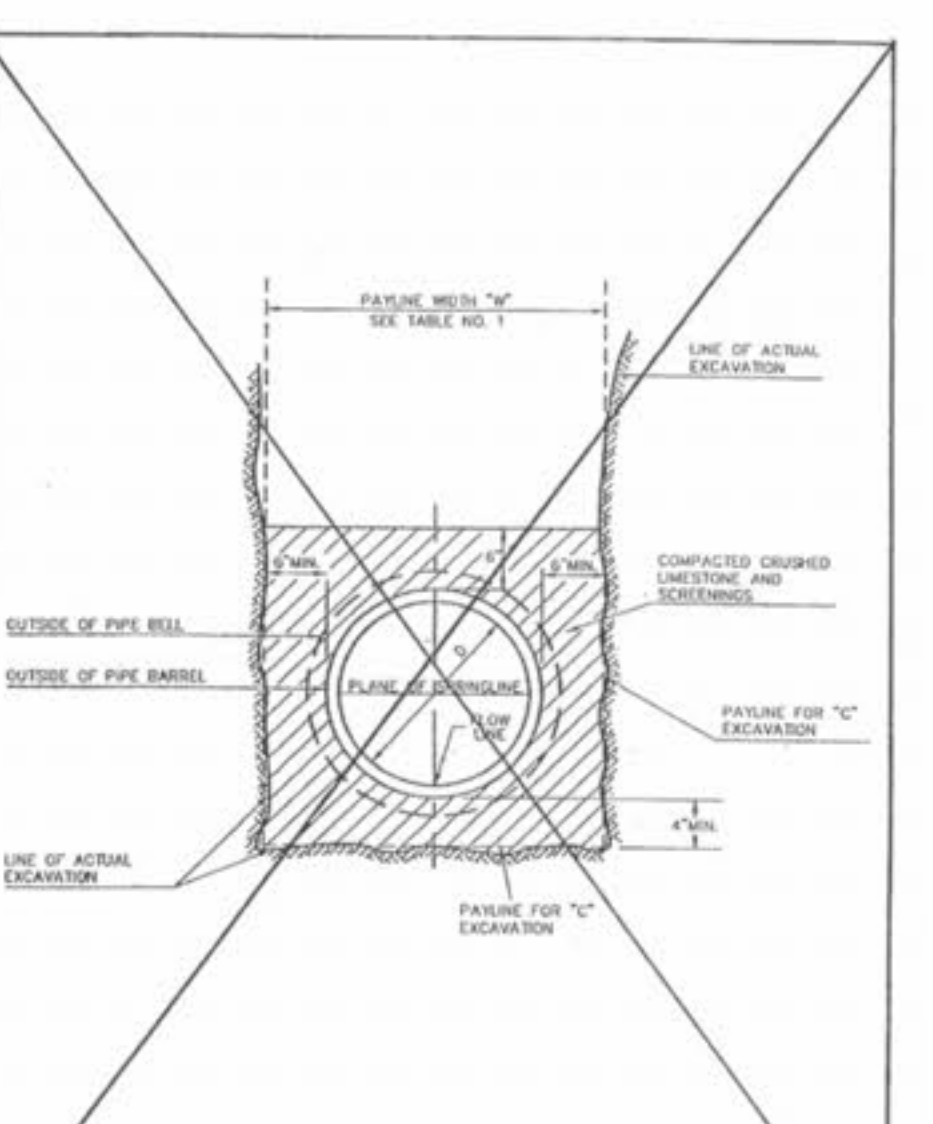


ROUND PIPE				HORIZONTAL ELLIPTICAL PIPE			
INSIDE DIAMETER OF PIPE (INCHES)	"W" PAYLINE WIDTH OF TRENCH (INCHES)	"T" PAYLINE WIDTH OF TRENCH (FEET)	PAV-MAXIMS (SQ. FT. PER FT.)	INSIDE DIMENSIONS OF PIPE (INCHES)	"W" PAYLINE WIDTH OF TRENCH (INCHES)	"T" PAYLINE WIDTH OF TRENCH (FEET)	PAV-MAXIMS (SQ. FT. PER FT.)
4	30	2.50	3.38				
6	30	2.50	3.59				
8	30	2.50	3.87				
10	30	2.50	4.09				
12	30	2.50	4.25				
15	36	3.00	5.55				
18	36	3.00	5.77				
21	36	3.25	6.61	14 x 23	41	3.42	5.94
24	42	3.50	7.39	19 x 30	49	4.00	7.68
27	45	3.75	8.18	22 x 34	53	4.42	8.61
30	48	4.00	9.30	24 x 38	58	4.83	9.70
33	51	4.42	10.53	27 x 42	62	5.17	10.71
36	54	4.87	11.43	29 x 45	66	5.50	11.72
42	63	5.25	13.38	34 x 53	71	5.92	13.14
48	70	5.83	15.87	38 x 60	79	6.25	14.85
54	77	6.42	18.15	43 x 68	82	7.67	18.81
60	84	7.00	20.73	48 x 76	101	8.42	21.59
66	91	7.58	23.45	53 x 83	109	9.08	24.35
72	98	8.17	26.37	58 x 91	118	9.83	27.45
78	105	8.75	29.39	63 x 98	126	10.50	30.50
84	112	9.33	32.57	68 x 106	135	11.25	33.91
90	119	9.92	35.80	72 x 113	143	11.92	36.98
96	126	10.50	39.17	77 x 121	152	12.67	40.69
102	133	11.08	42.69	82 x 128	160	13.33	44.45
108	140	11.67	46.35	87 x 136	168	14.00	47.79
114	147	12.25	50.06	92 x 143	176	14.67	51.70
120	154	12.83	54.73	97 x 151	185	15.42	56.01
126	161	13.42	59.42				
132	168	14.00	63.27	102 x 158	202	16.83	64.48
144	182	15.17	72.40	116 x 180	218	18.17	73.55

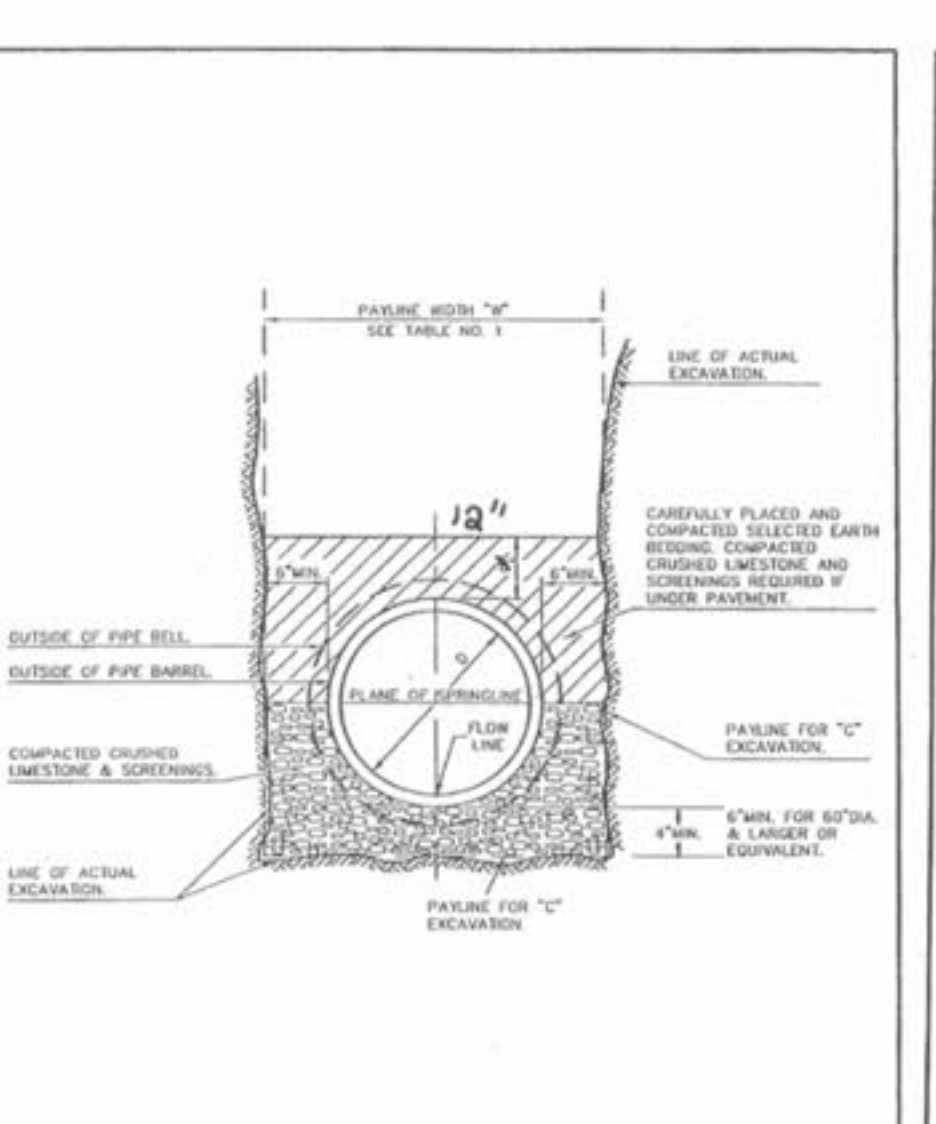
TABLE 1
PAYLINE WIDTHS OF TRENCH AND PAV-QUANTITIES OF CONCRETE
METROPOLITAN ST. LOUIS SEWER DISTRICT
Standard Details of Sewer Construction
Dr. B.E.B. / Ch. J.C.K. / 2000 / SHEET 1



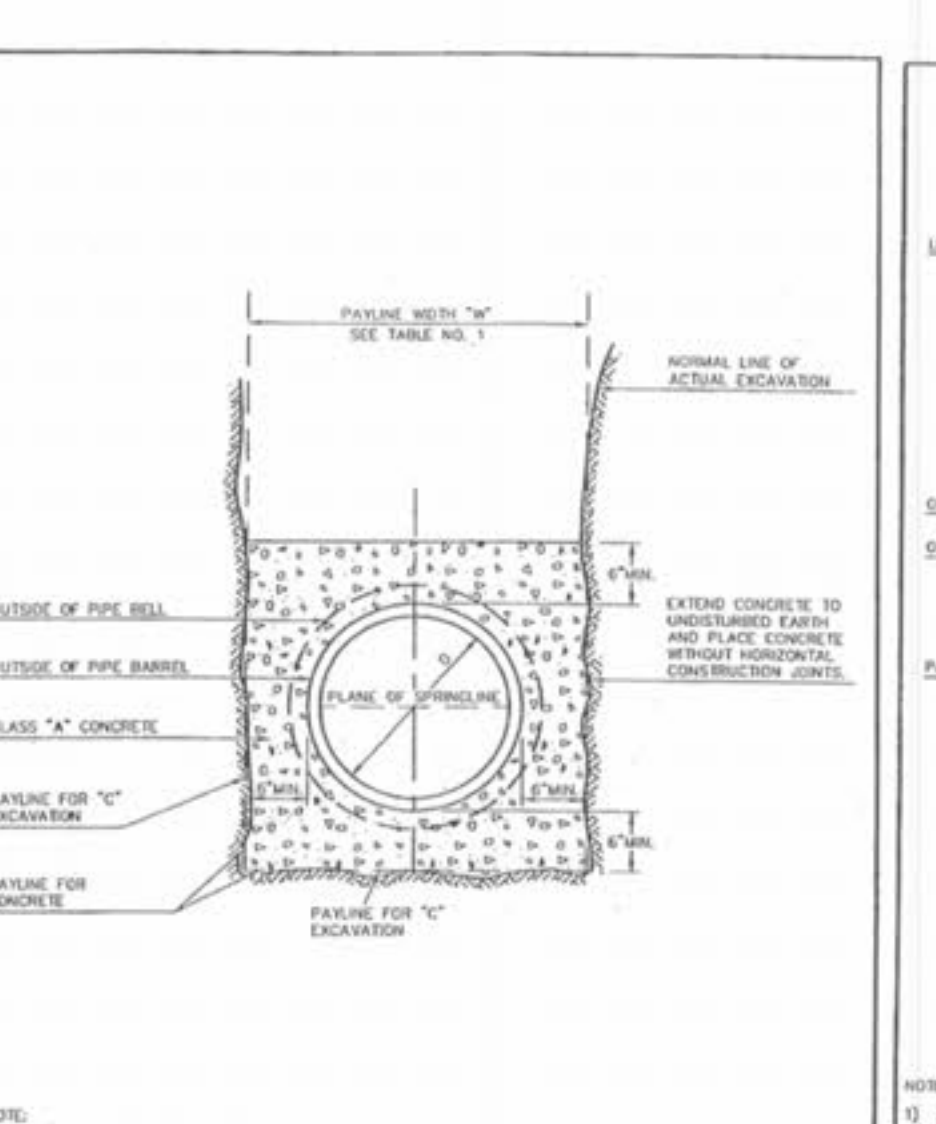
NOTE: PAYLINE FOR ANY OTHER TYPE OF CHANNEL EXCAVATION SHALL BE THE EXACT SHAPE OF THE SUBGRADE.
METROPOLITAN ST. LOUIS SEWER DISTRICT
Standard Details of Sewer Construction
Dr. W.S.H. / Ch. J.C.K. / 2000 / SHEET 2



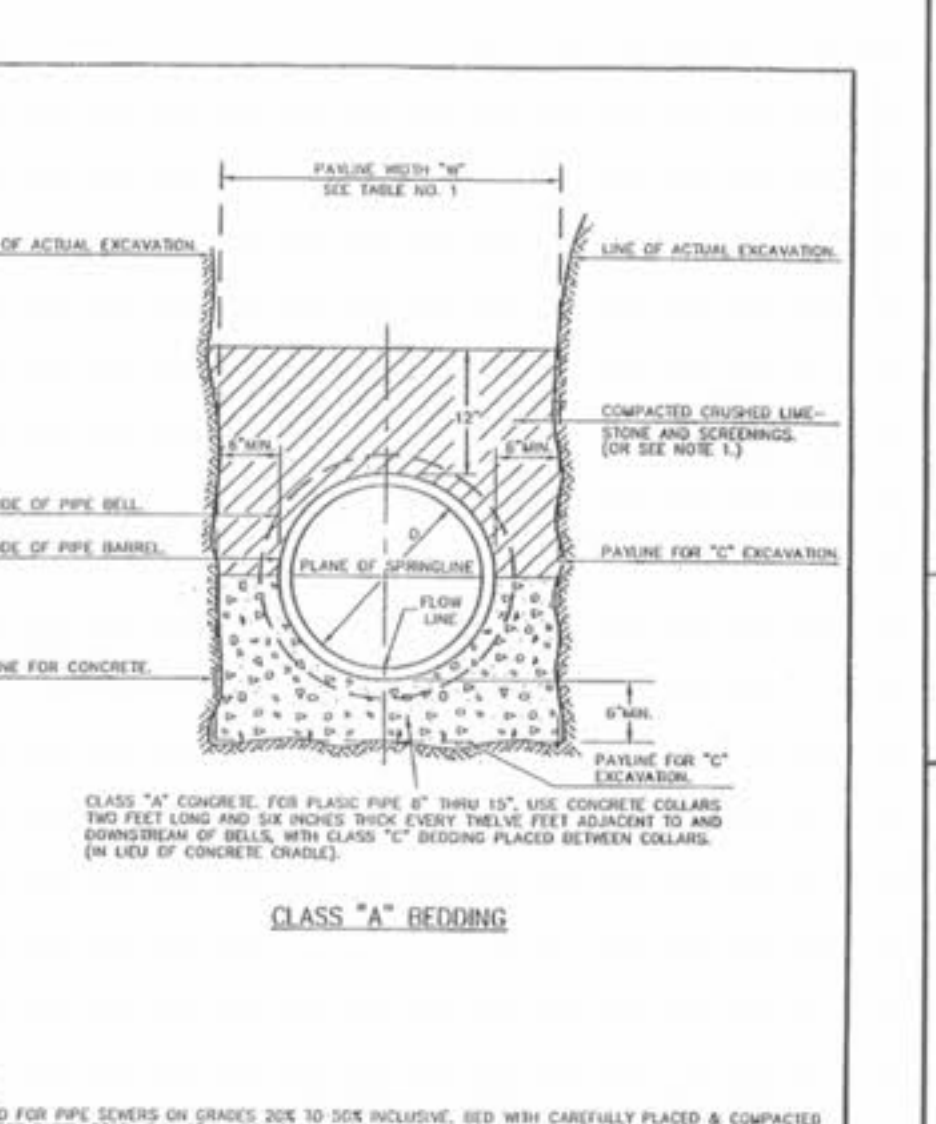
METROPOLITAN ST. LOUIS SEWER DISTRICT
Standard Details of Sewer Construction
Dr. W.S.H. / Ch. J.C.K. / 2000 / SHEET 4



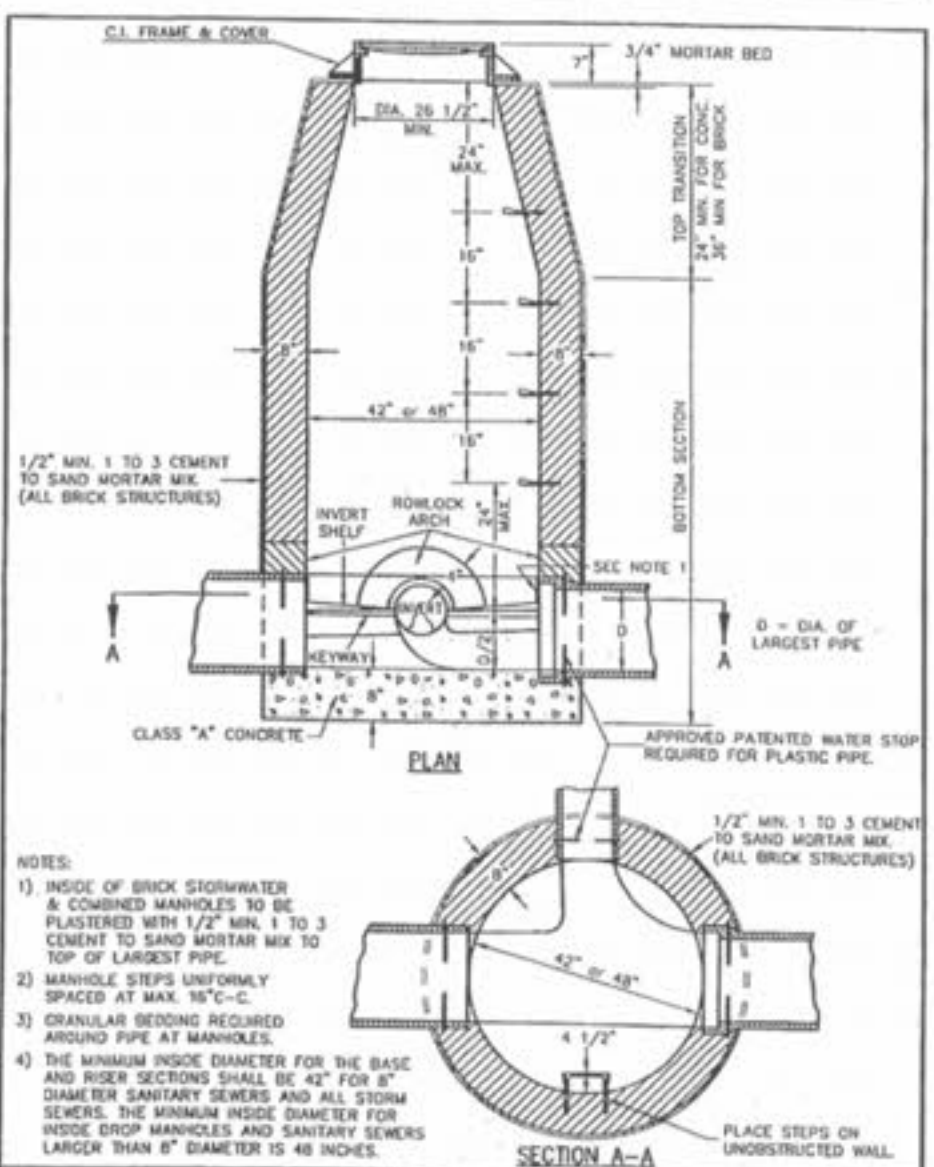
METROPOLITAN ST. LOUIS SEWER DISTRICT
Standard Details of Sewer Construction
Dr. W.S.H. / Ch. J.C.K. / 2000 / SHEET 5



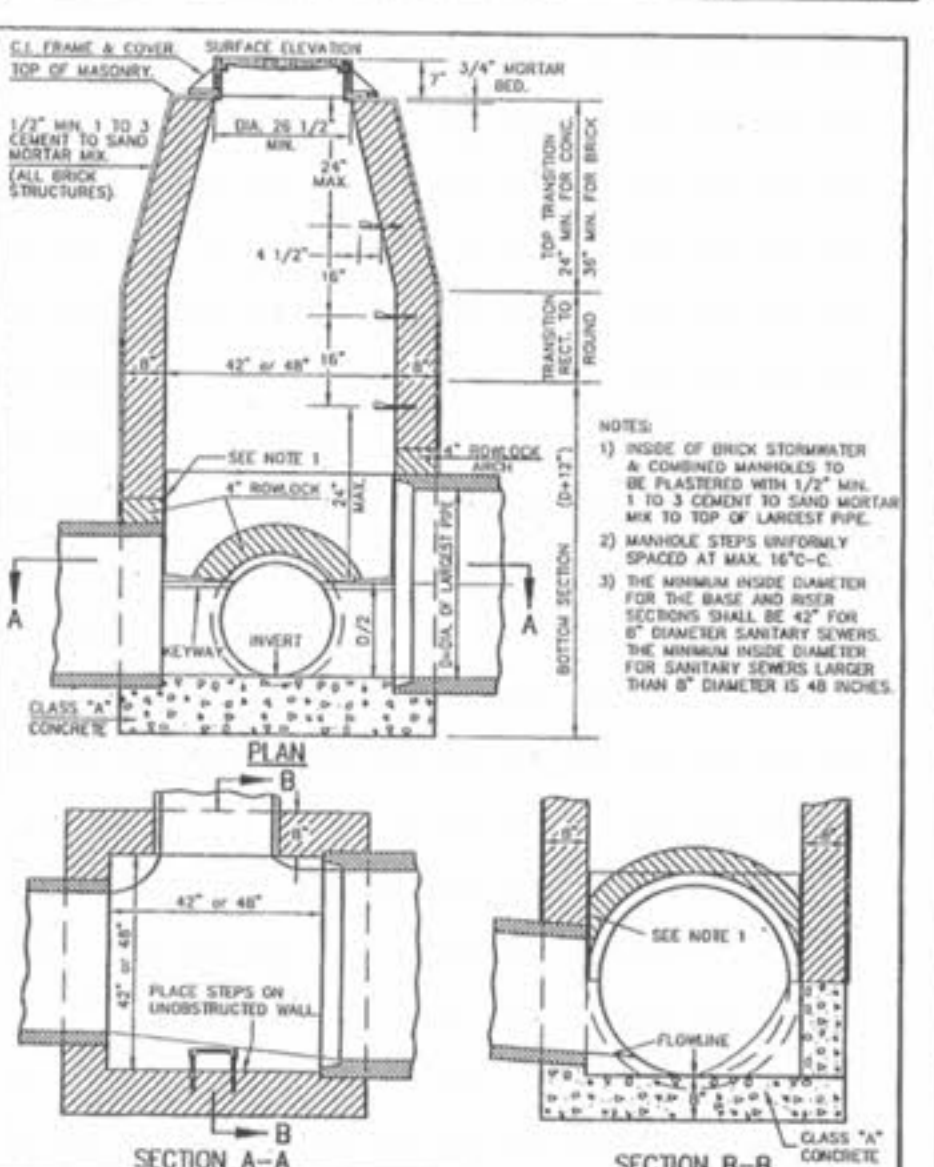
METROPOLITAN ST. LOUIS SEWER DISTRICT
Standard Details of Sewer Construction
Dr. W.S.H. / Ch. J.C.K. / 2000 / SHEET 8



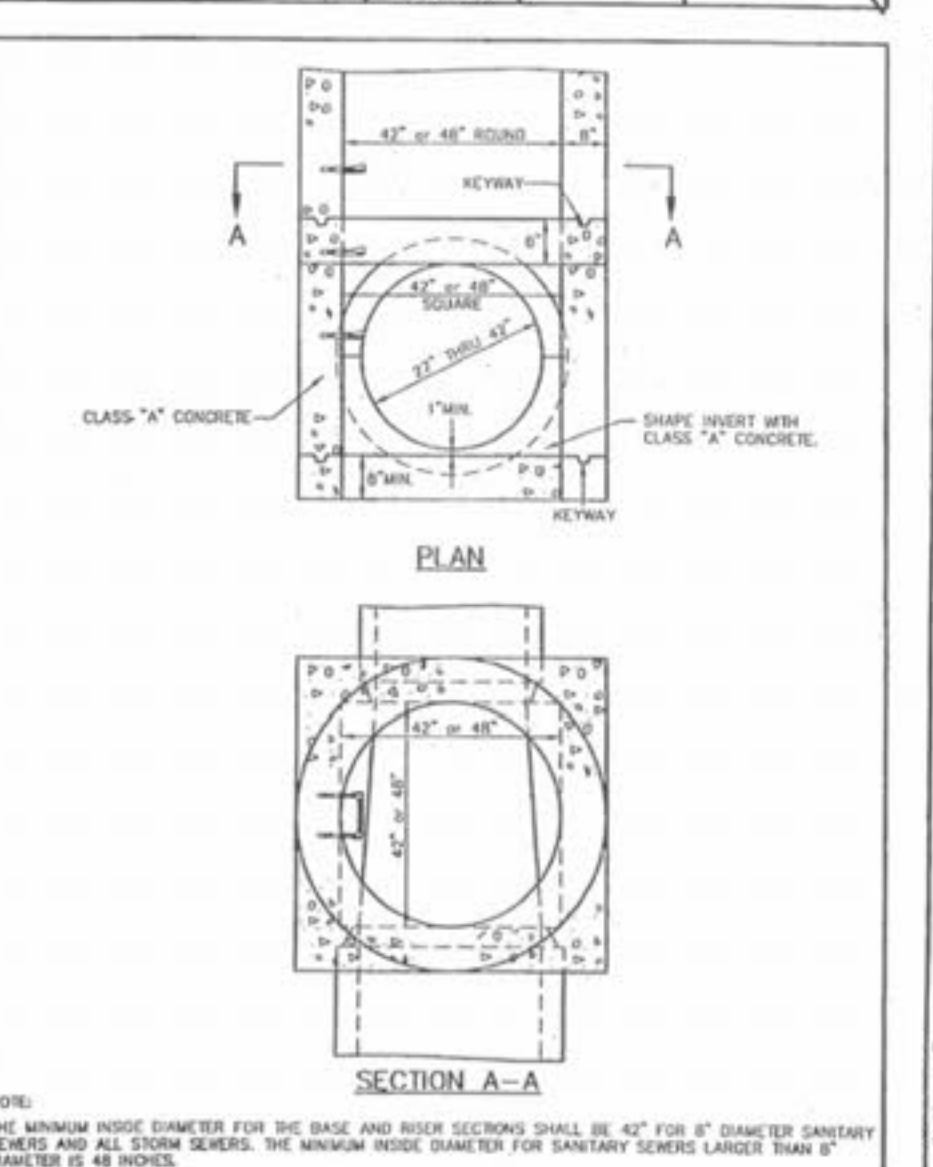
METROPOLITAN ST. LOUIS SEWER DISTRICT
Standard Details of Sewer Construction
Dr. W.S.H. / Ch. J.C.K. / 2000 / SHEET 9



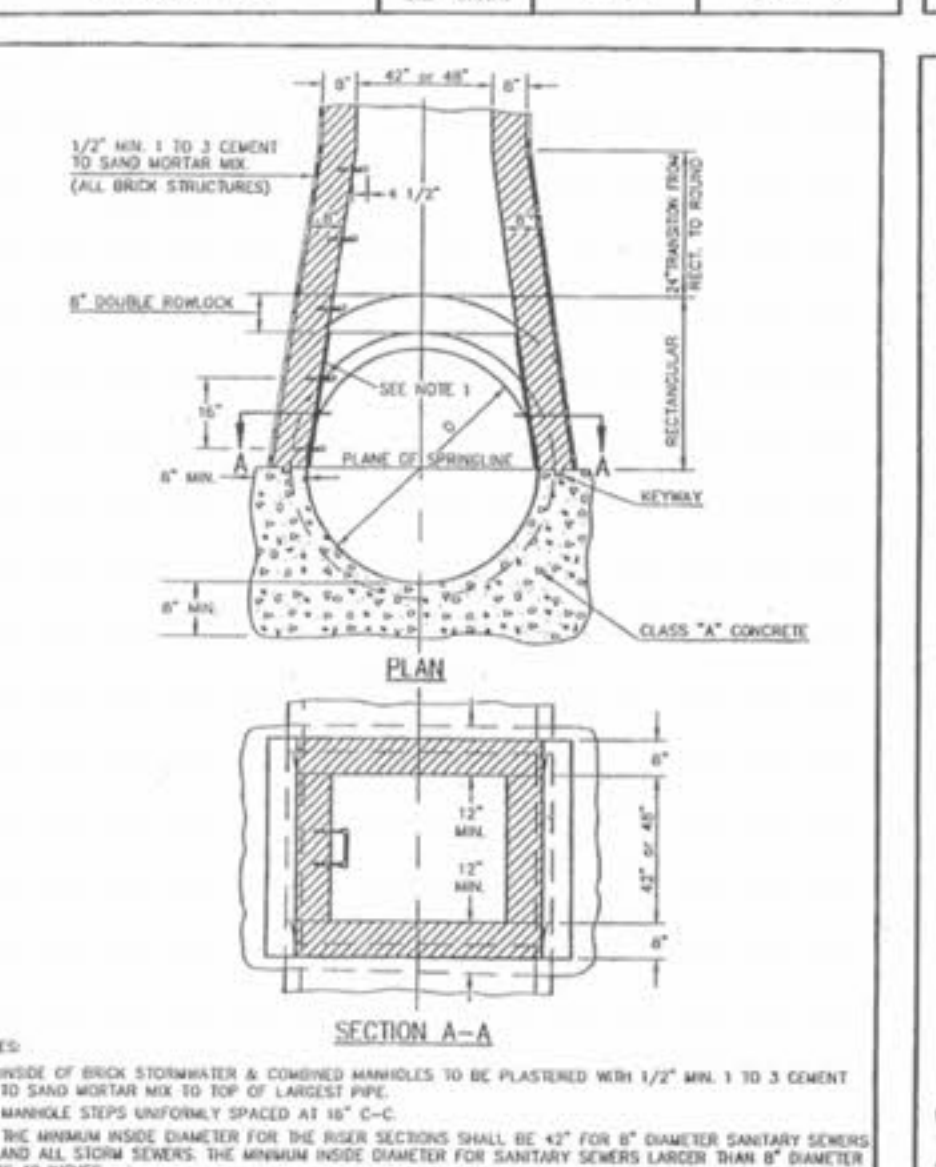
METROPOLITAN ST. LOUIS SEWER DISTRICT
Standard Details of Sewer Construction
Dr. W.S.H./SAM / Ch. J.C.K. / 2000 / SHEET 10



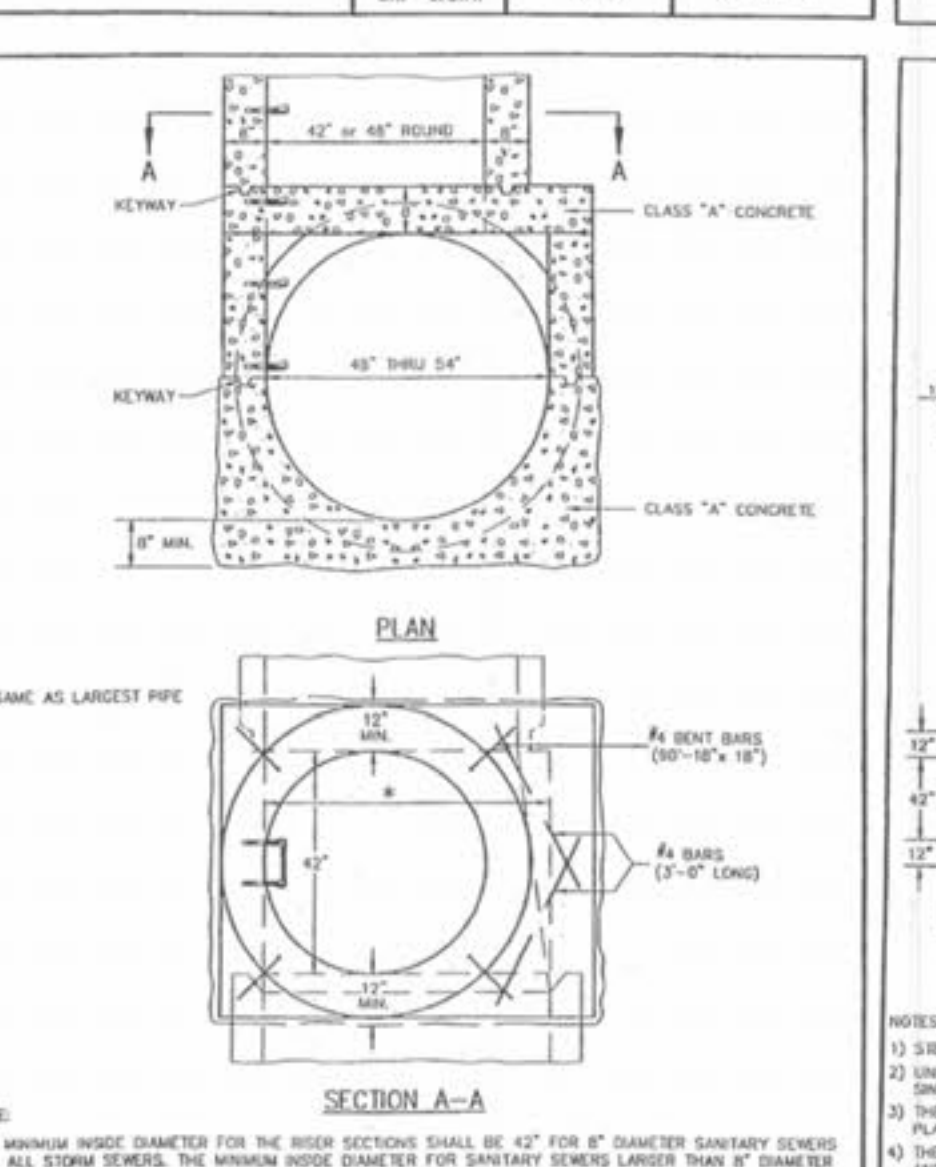
METROPOLITAN ST. LOUIS SEWER DISTRICT
Standard Details of Sewer Construction
Dr. W.S.H./SAM / Ch. J.C.K. / 2000 / SHEET 11



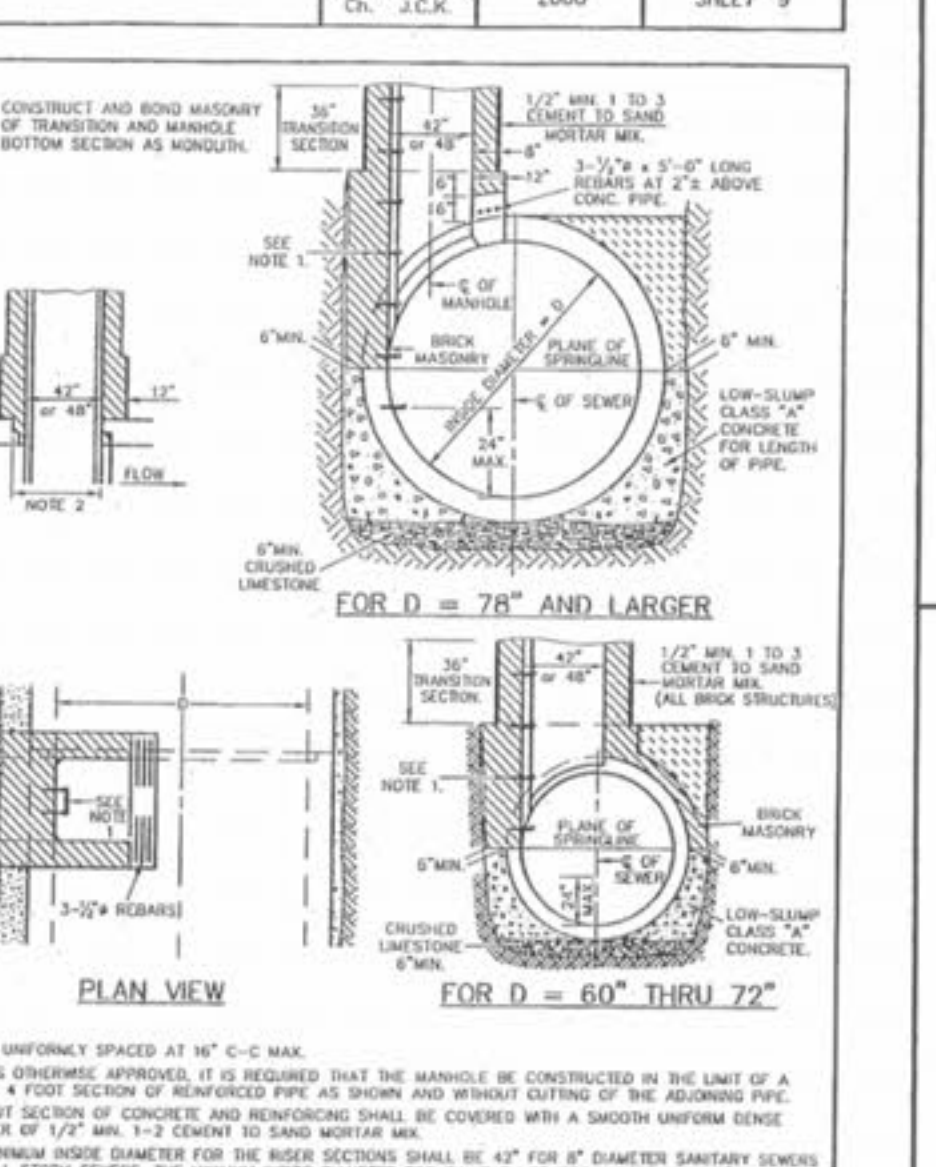
METROPOLITAN ST. LOUIS SEWER DISTRICT
Standard Details of Sewer Construction
Dr. DAB/SAM / Ch. J.C.K. / 2000 / SHEET 12



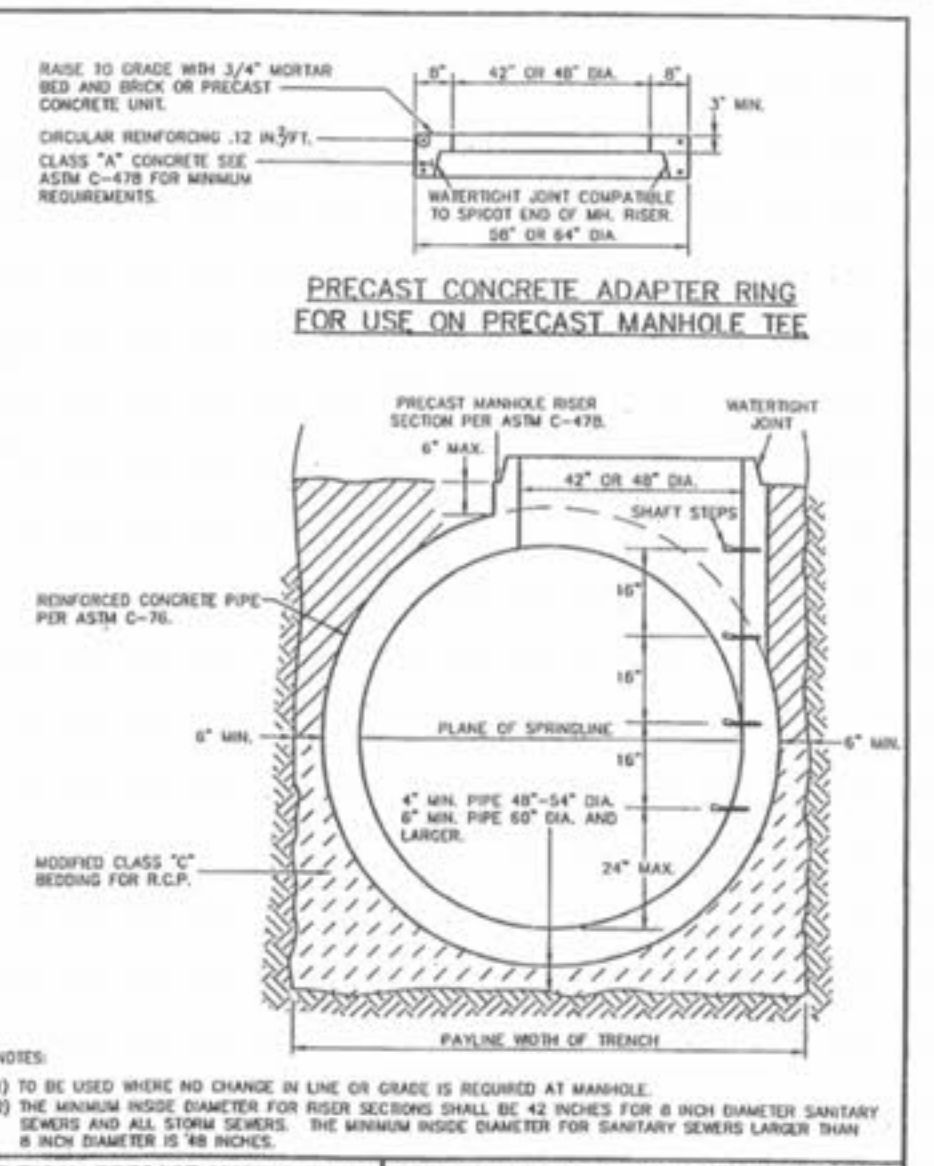
METROPOLITAN ST. LOUIS SEWER DISTRICT
Standard Details of Sewer Construction
Dr. W.S.H./SAM / Ch. J.C.K. / 2000 / SHEET 13



METROPOLITAN ST. LOUIS SEWER DISTRICT
Standard Details of Sewer Construction
Dr. W.S.H./SAM / Ch. J.C.K. / 2000 / SHEET 14



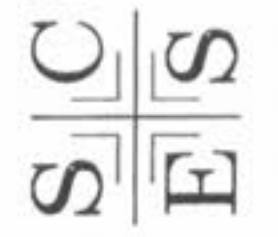
METROPOLITAN ST. LOUIS SEWER DISTRICT
Standard Details of Sewer Construction
Dr. W.S.H./SAM / Ch. J.C.K. / 2000 / SHEET 15



TYPICAL PRECAST MANHOLE TEE FOR REINFORCED CONCRETE PIPE SEWERS 48 INCH AND LARGER IN DIAMETER
METROPOLITAN ST. LOUIS SEWER DISTRICT
Standard Details of Sewer Construction
Dr. W.S.H./SAM / Ch. J.C.K. / 2000 / SHEET 24

MAGNOLIA
STORM DETAILS 3

ST. CHARLES ENGINEERING & SURVEYING, INC.
801 S. FIFTH STREET, SUITE 202
ST. CHARLES, MO 63301
TEL: (636) 947-0607 FAX: (636) 947-2448



ORDER NO.
03-0498
DATE
12/1/03
D-5