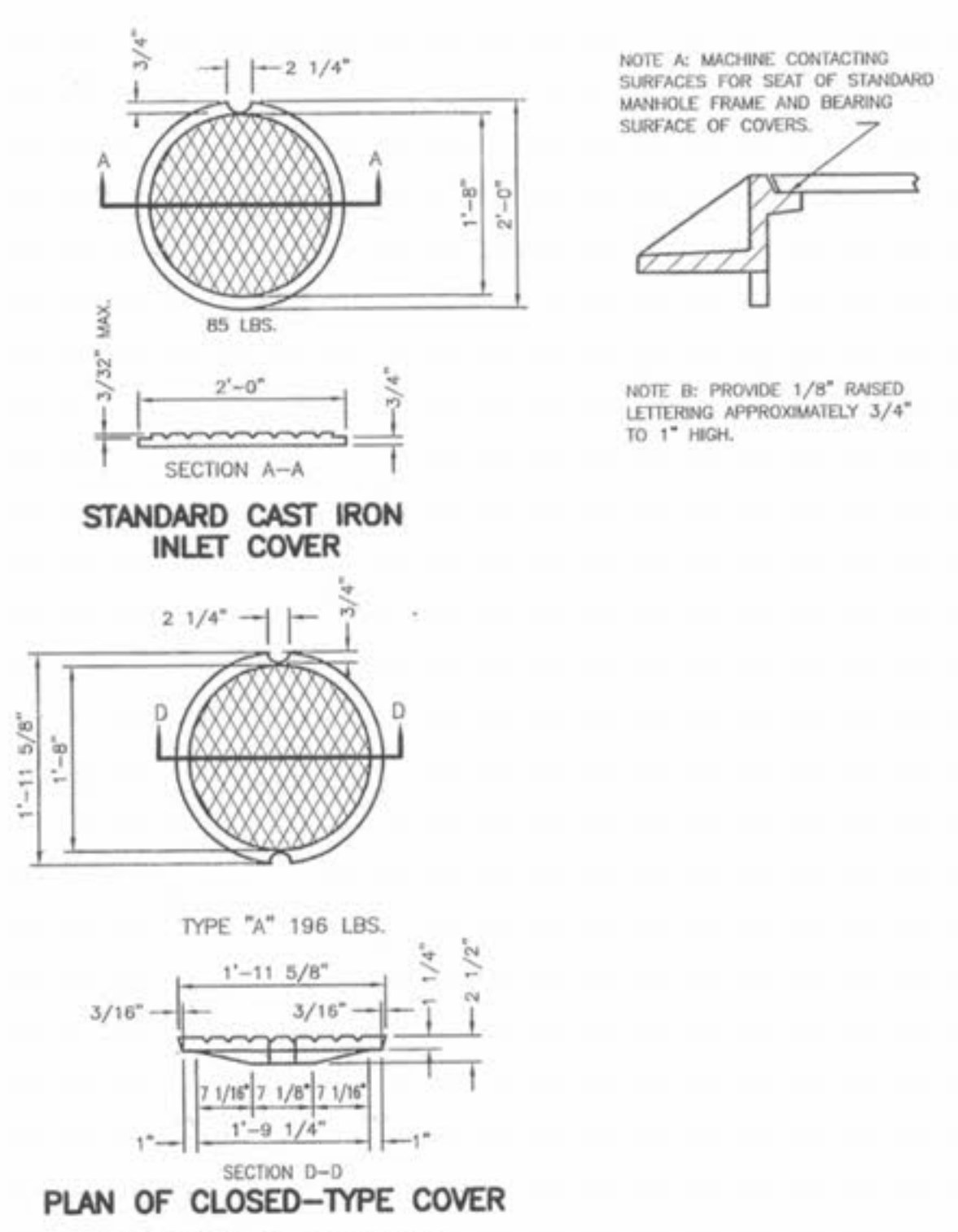
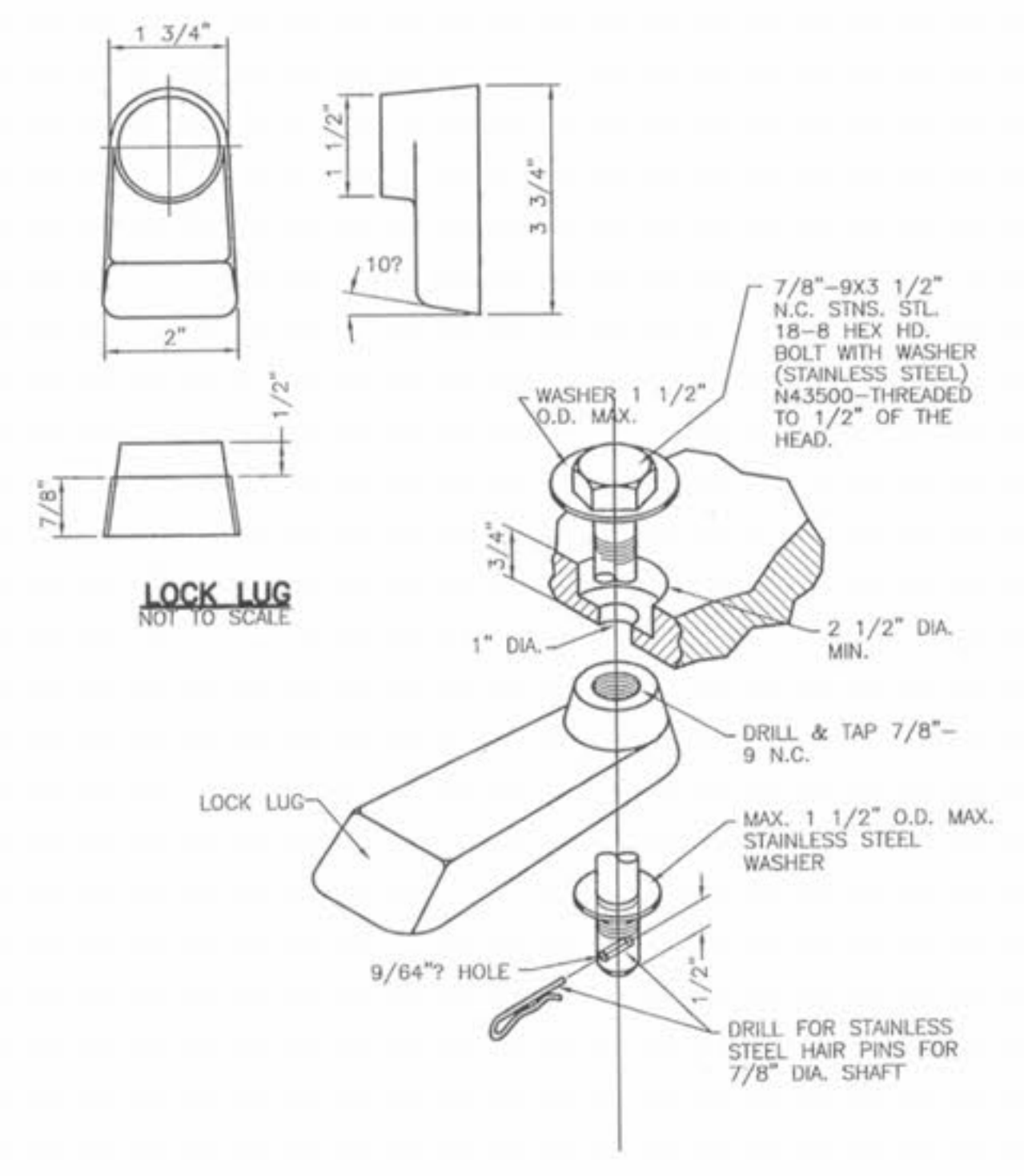


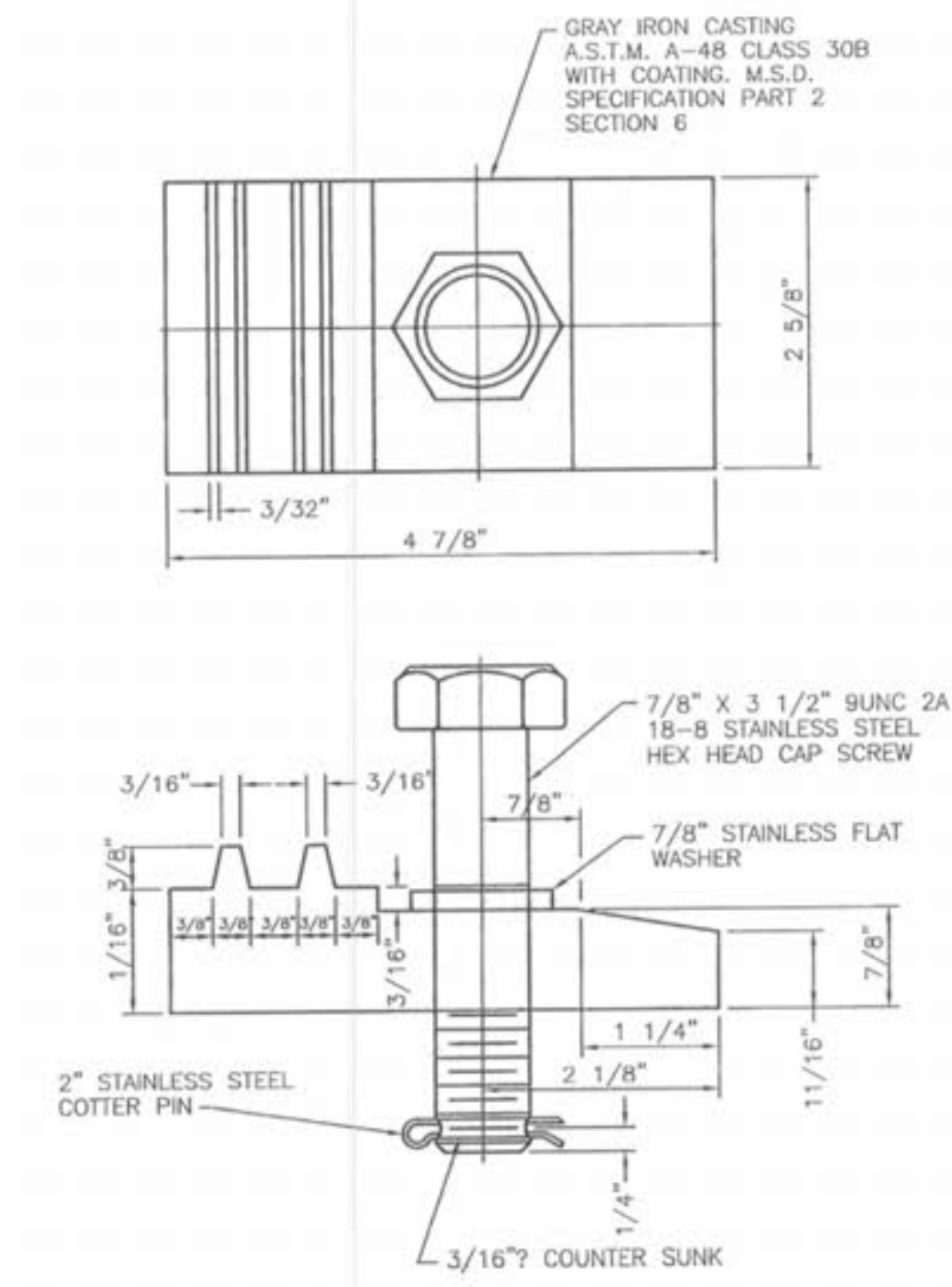
CAST IRON MANHOLE COVERS (LOCK TYPE)



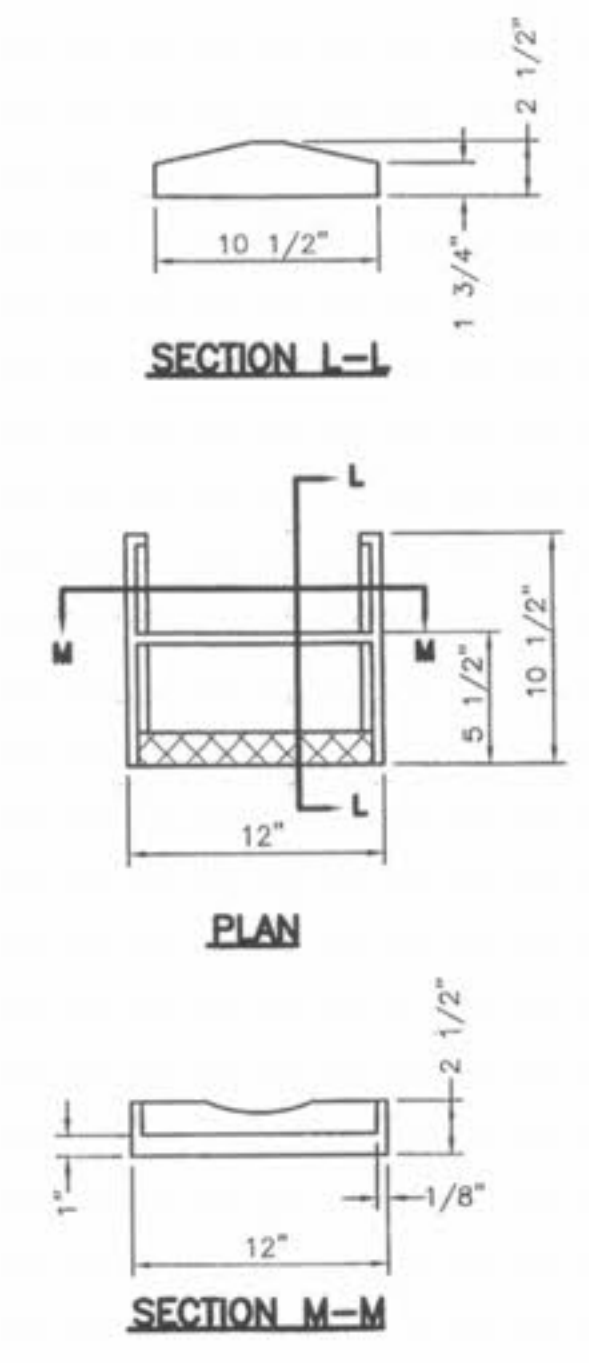
CAST IRON COVERS MANHOLES AND INLETS



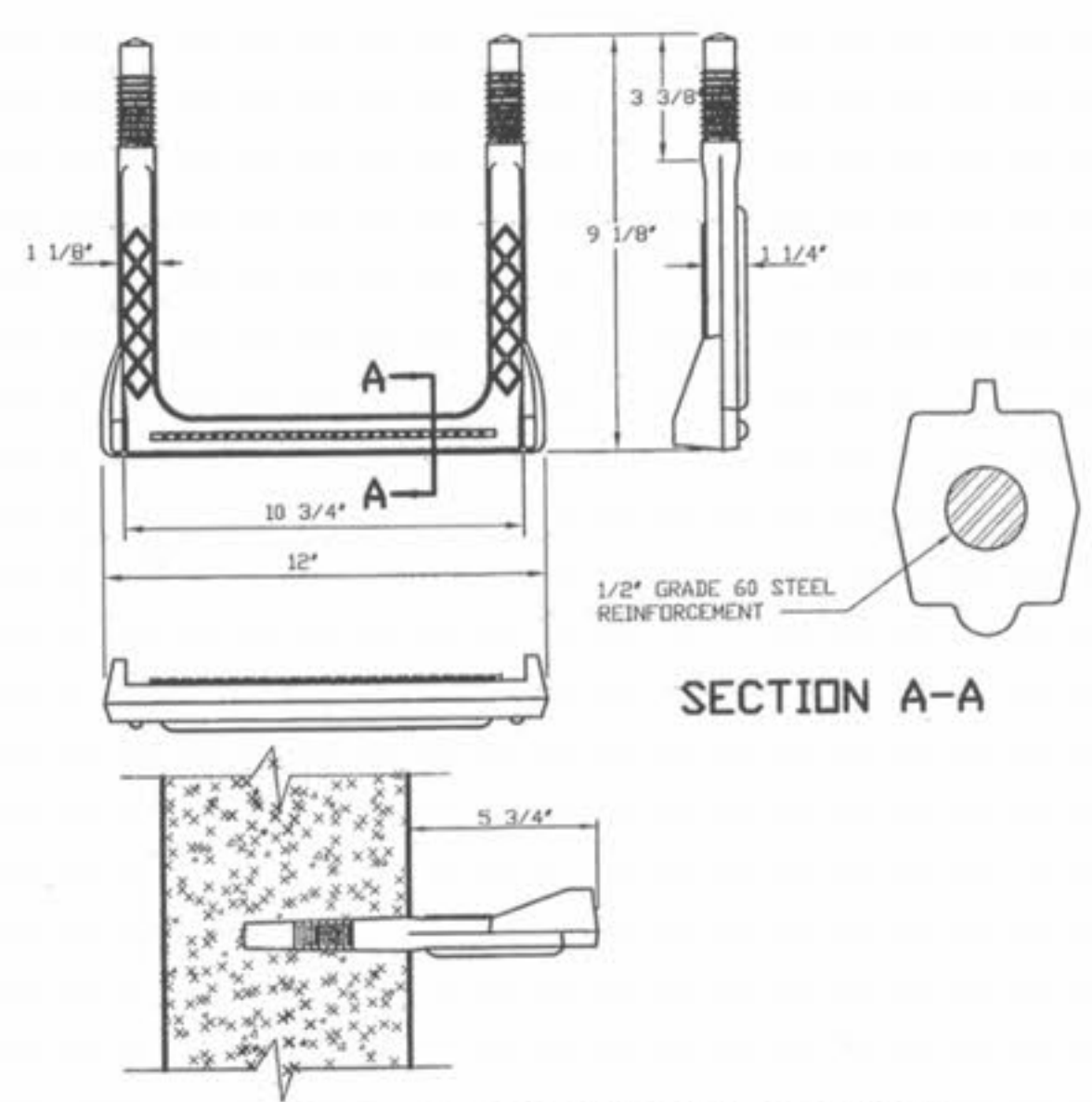
LOCKING DEVICE FOR TYPE 'N' LOCK TYPE MANHOLE COVER



LOCKING DEVICE FOR TYPE 'T' LOCK TYPE MANHOLE COVER



CAST IRON MANHOLE STEPS



COPOLYMER POLYPROPYLENE PLASTIC MANHOLE STEP FOR PRECAST MANHOLE

CITY OF O'FALLON
DEPARTMENT OF PUBLIC WORKS DESIGN GROUP
O'FALLON, MISSOURI

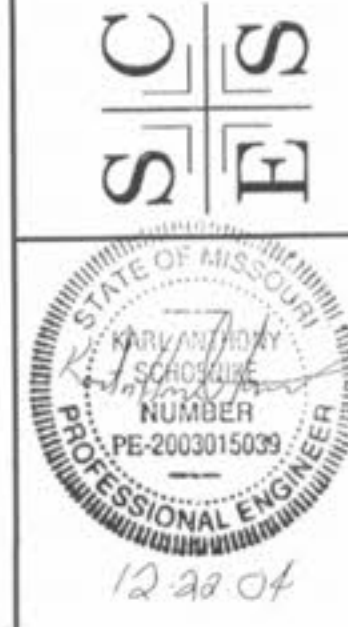


DISCLAIMER OF RESPONSIBILITY
I HEREBY CERTIFY THAT THE DOCUMENTS INCORPORATED IN THIS PROJECT ARE THE PROPERTY OF ST. CHARLES ENGINEERING & SURVEYING, INC. AND ARE NOT TO BE REPRODUCED OR TRANSMITTED IN ANY FORM OR BY ANY MEANS, ELECTRONIC OR MECHANICAL, INCLUDING PHOTOCOPYING, RECORDING, OR BY ANY INFORMATION STORAGE AND RETRIEVAL SYSTEM, WITHOUT THE WRITTEN PERMISSION OF ST. CHARLES ENGINEERING & SURVEYING, INC.

DESIGNED: _____
CHECKED: _____
DATE: _____
PROJECT NO.: _____
SHEET OF _____

MAGNOLIA
SANITARY DETAILS 2

ST. CHARLES ENGINEERING & SURVEYING, INC.
801 S. FIFTH STREET, SUITE 202
ST. CHARLES, MO 63301
TEL. (636) 947-0607 FAX. (636) 947-2448



ORDER NO. 03-0498
DATE 12/1/03
D7