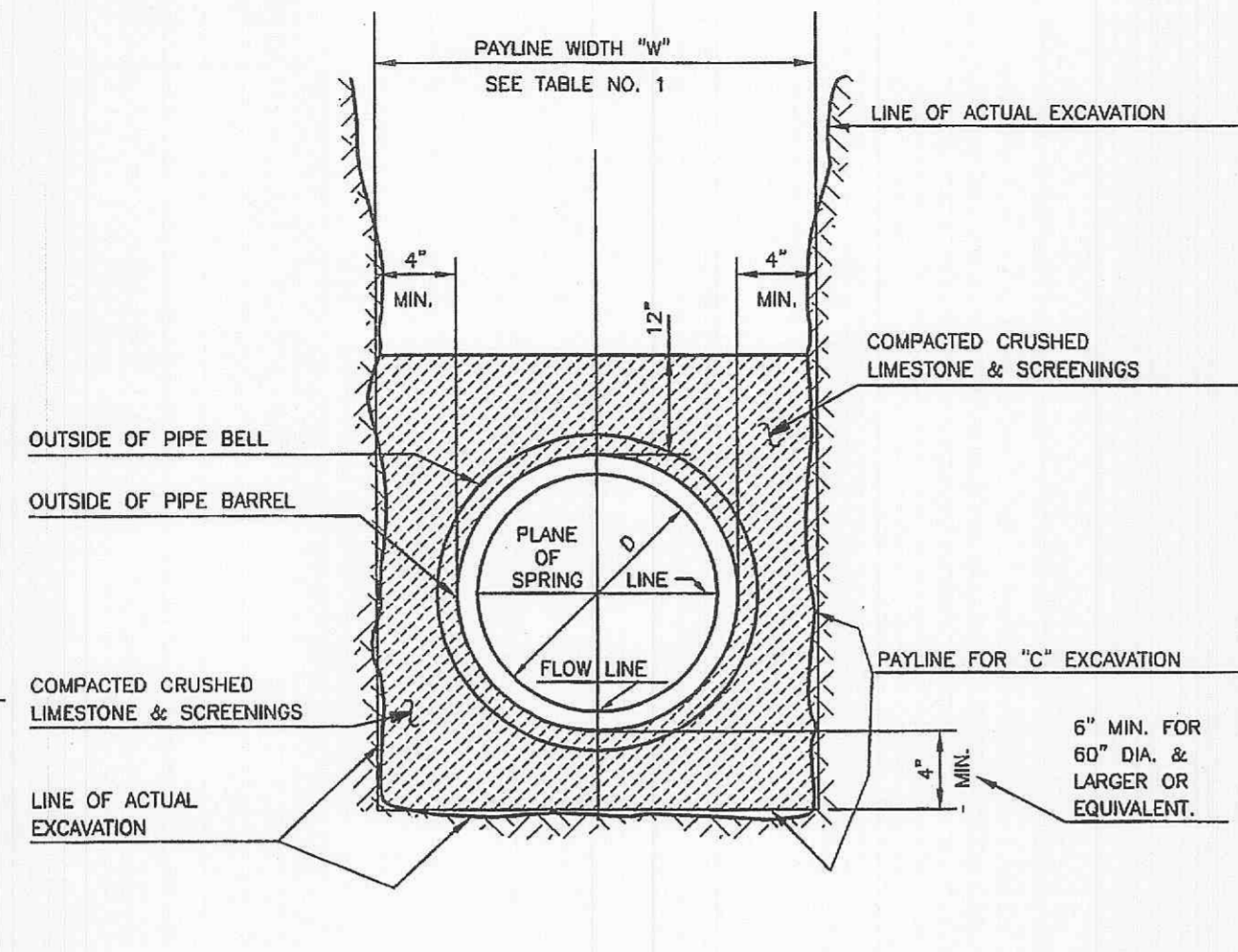
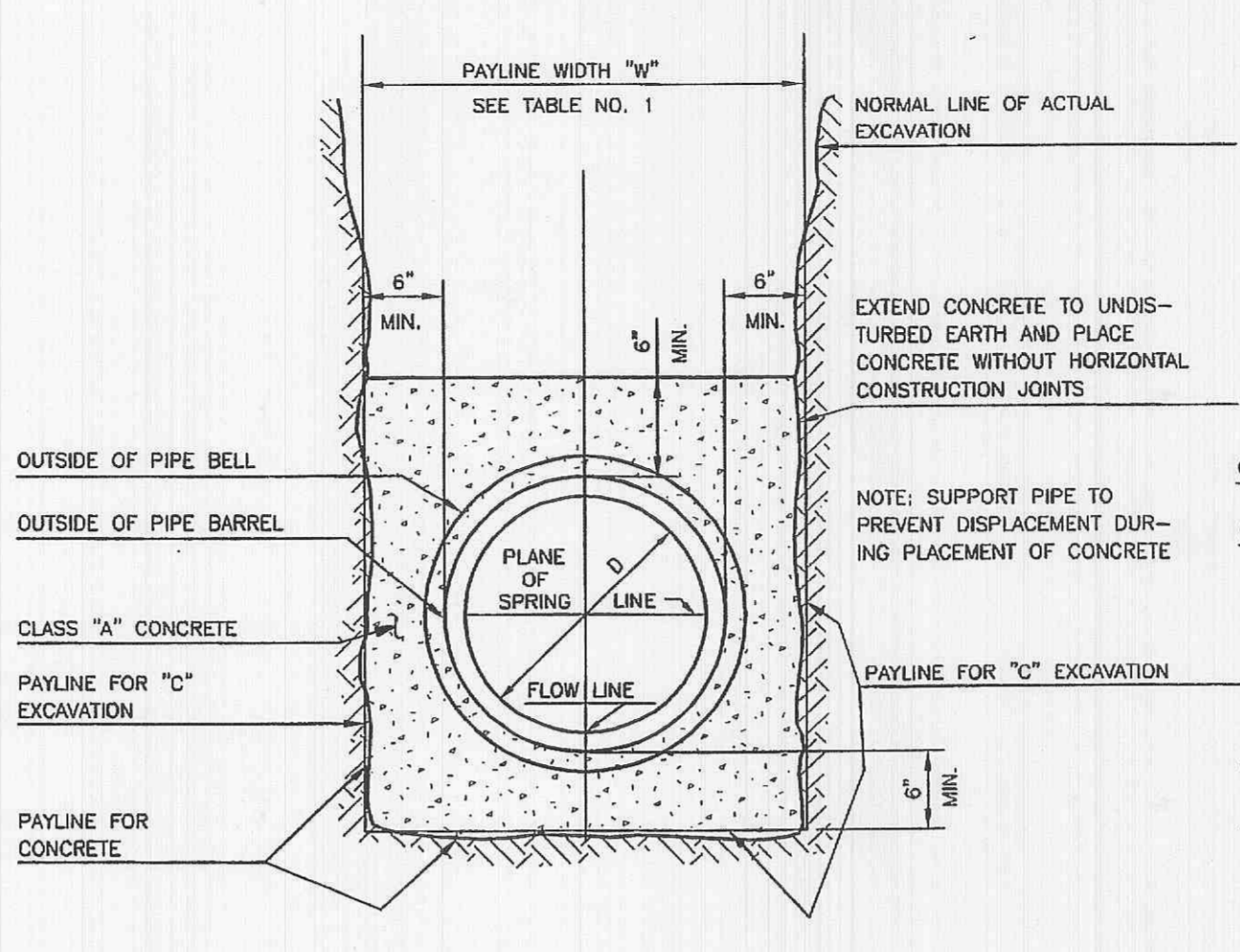


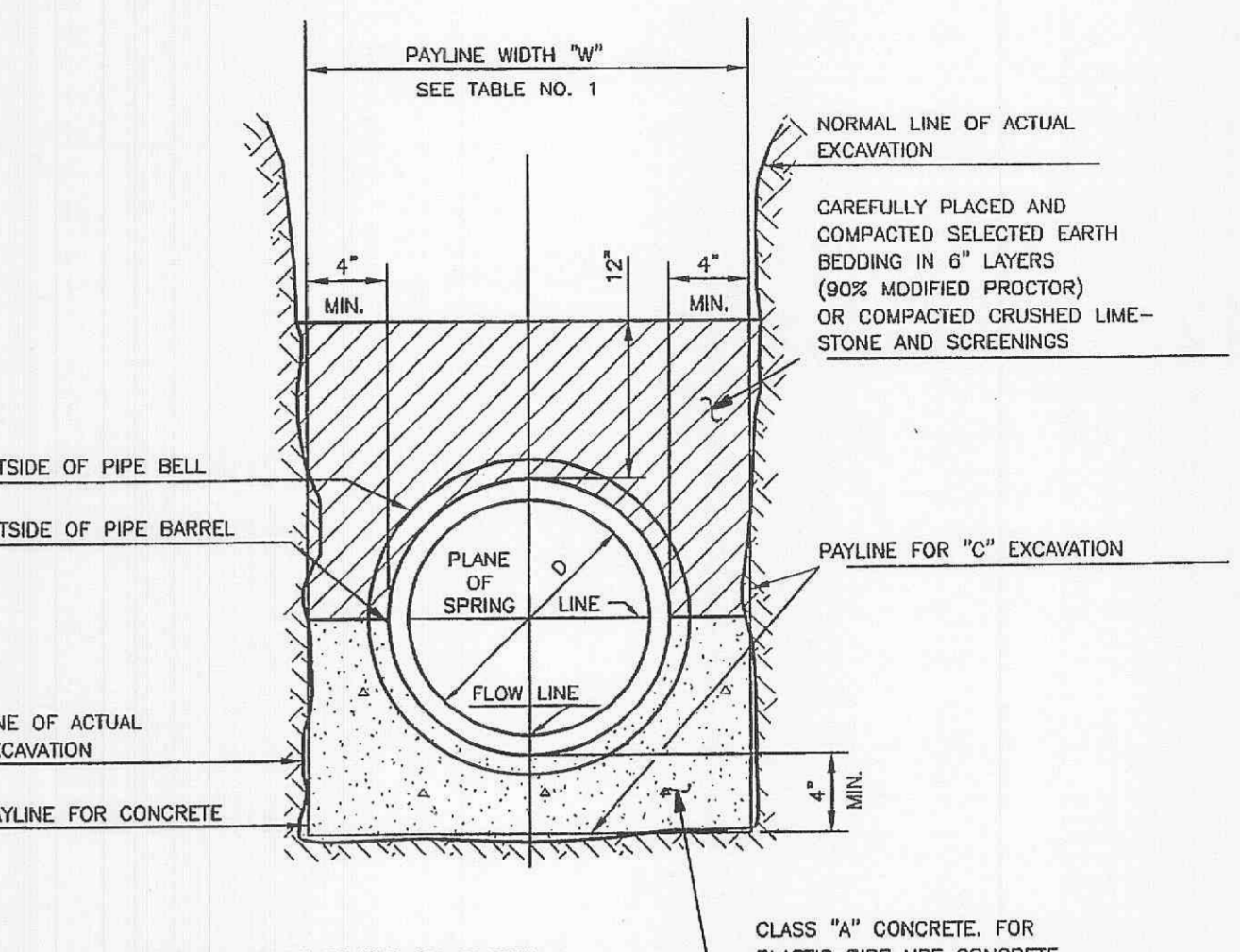
**PIPE BEDDING CLASS "C"
(MODIFIED FOR REINFORCED
CONCRETE PIPE)**



**PIPE BEDDING CLASS "C"
(FOR ALL PIPE EXCEPT
REINFORCED CONCRETE PIPE)**



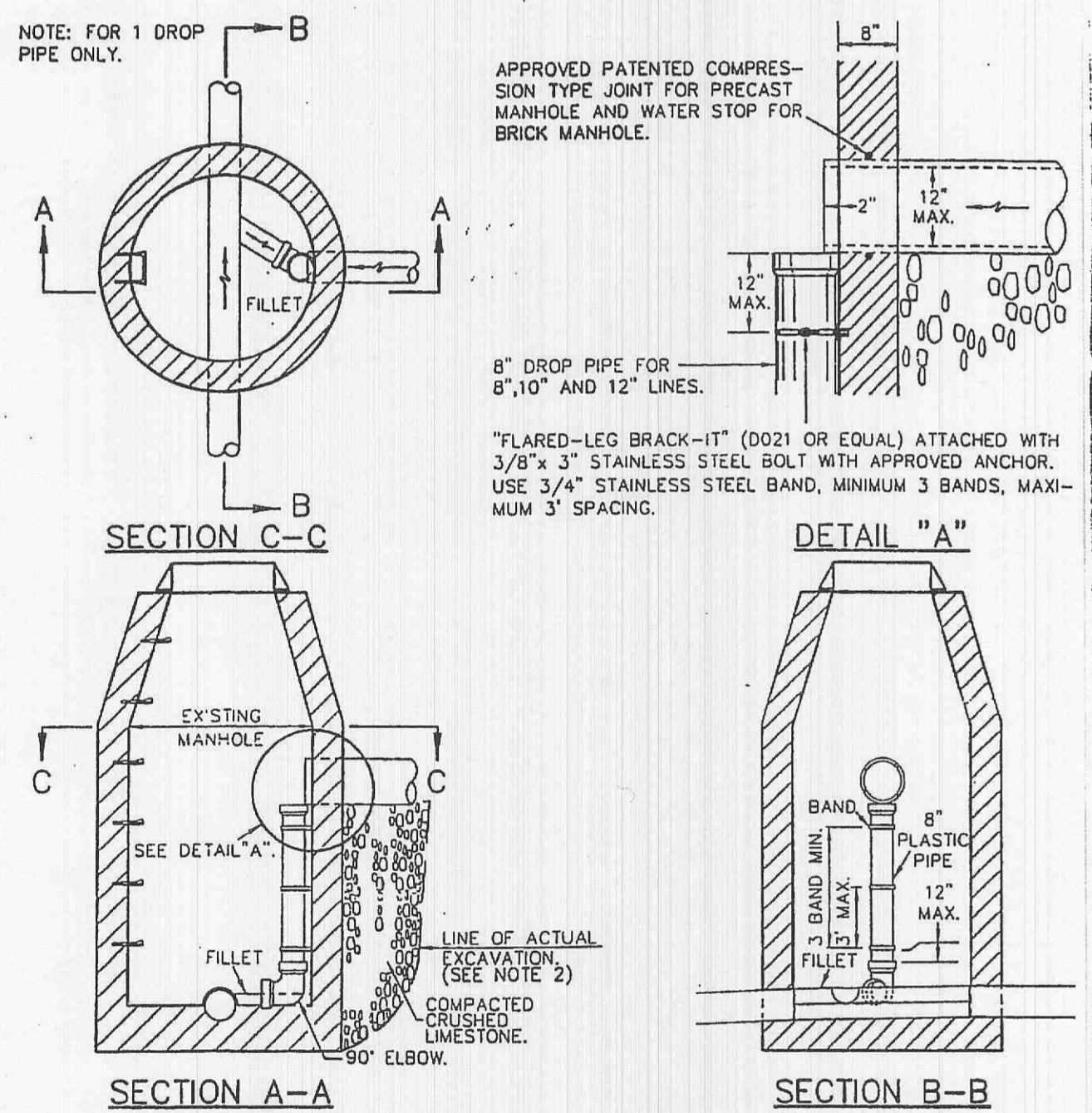
CONCRETE ENCASEMENT



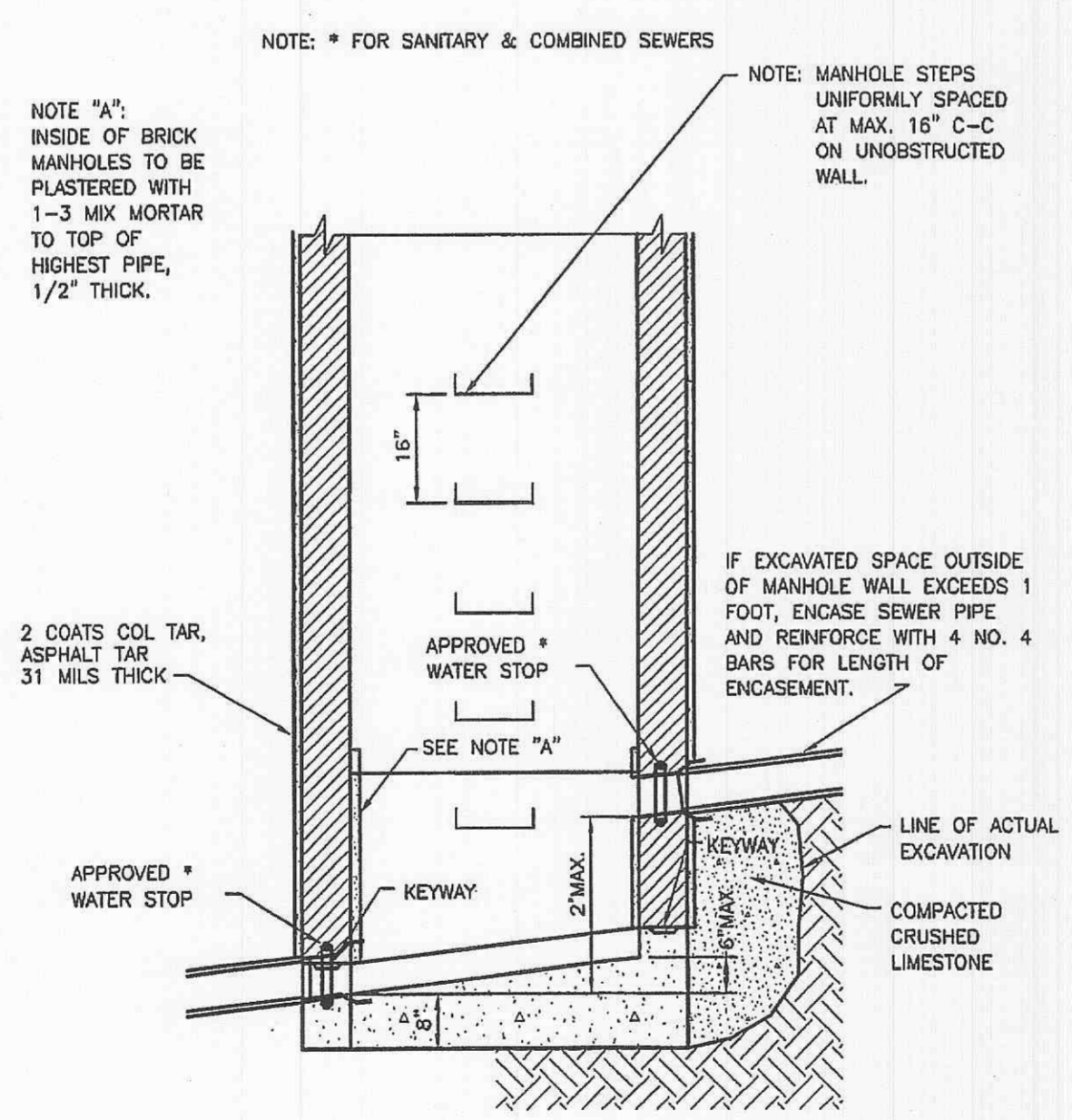
ALSO FOR PIPE SEWERS ON GRADES 25% TO 50% INCLUSIVE.
FOR GRADES EXCEEDING 50% SEE PROJECT SPECIFICATIONS.

CLASS "A" CONCRETE FOR PLASTIC PIPE USE CONCRETE COLLARS TWO FEET LONG AND SIX INCHES THICK EVERY TWELVE FEET ADJACENT TO AND DOWN STREAM OF BELLS.
(IN LIEU OF CONC. CRADLE)

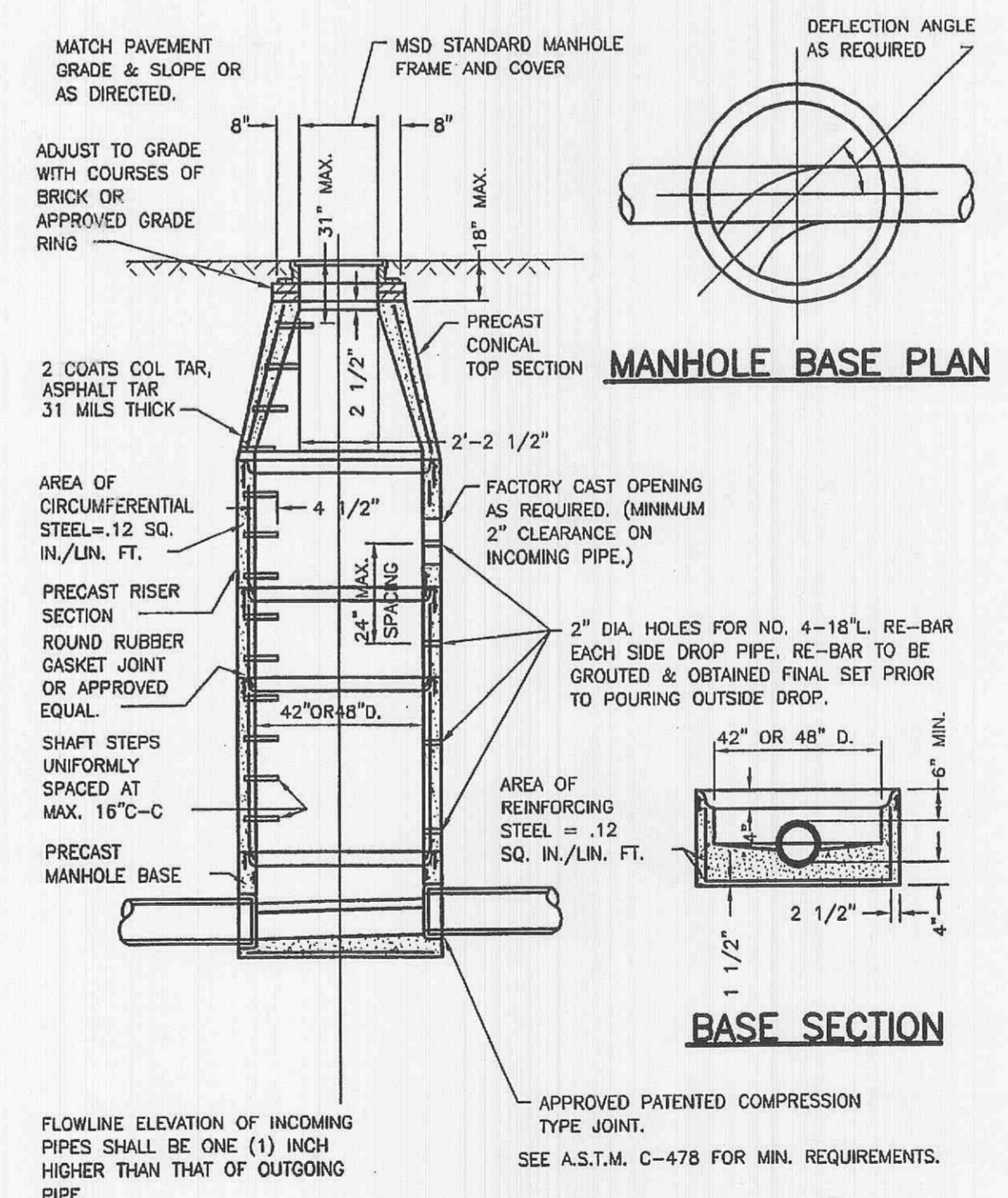
**(CLASS "A" BEDDING)
CONCRETE CRADLE**



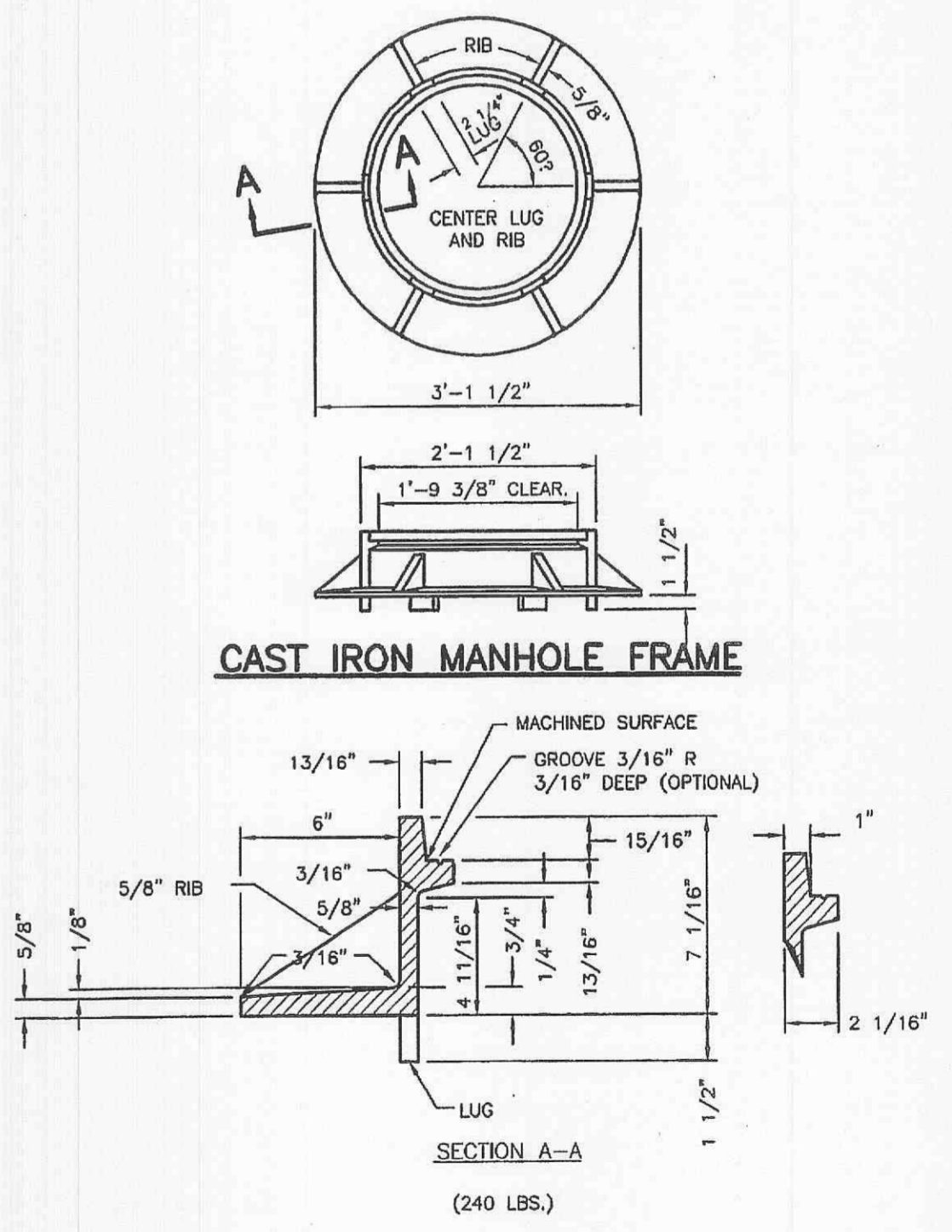
**INSIDE FOULWATER
DROP MANHOLE**



**INSIDE DROP
(8" THRU 24" DIA. PIPE)**



**PRE-CAST CONCRETE MANHOLE
FOR SEWERS
8" THROUGH 12"**



**CAST IRON
MANHOLE FRAME**

NOTES:
1) NEW INSIDE DROP ON EXISTING MANHOLE REQUIRES THAT THE FLOWLINE OF THE NEW DROP PIPE ELBOW BE CONSTRUCTED AT THE SAME ELEVATION AS THE SPRINGLINE OF THE EXISTING SEWER MAIN AT THE CENTER OF THE EXISTING MANHOLE. A CLASS "A" CONCRETE FILLET AND INVERT SHALL BE CONSTRUCTED FOR DROP PIPE.
2) IF EXCAVATED SPACE OUTSIDE OF MANHOLE WALL EXCEEDS 1 FOOT, PROVIDE 6 INCHES OF CLASS "A" CONCRETE ENCASEMENT ON INCOMING LINE FROM WALL OF MANHOLE TO A MINIMUM OF 2 FEET INTO UNDISTURBED EARTH WITH A MINIMUM OF 4 #4 REBARS FOR LENGTH OF ENCASEMENT OR INSTALL ONE LENGTH OF D.I.P. FROM MANHOLE INTO UNDISTURBED EARTH.

**CITY OF FALLON
DEPARTMENT OF PUBLIC
WORKS DESIGN GROUP
O'FALLON, MISSOURI**

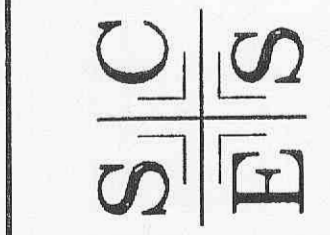


DISCLAIMER OF RESPONSIBILITY
I HEREBY CERTIFY THAT THE PROJECTS REFERRED TO IN THIS SPECIFICATION AND ANY OTHER DOCUMENTS ARE THE PROPERTY OF THE CITY OF FALLON, MISSOURI. I AM NOT PROVIDING ANY GUARANTEE OR WARRANTY FOR ANY PART OF THIS PROJECT OR THE ADVERTISING OR PROMOTIONAL PROJECT OR SERVICE.

DESIGNED: _____
CHECKED: _____
DATE: _____
PROJECT NO.: _____
SHEET _____
OF _____

**MAGNOLIA
SANITARY DETAILS 1**

ST. CHARLES ENGINEERING & SURVEYING, INC.
801 S. FIFTH STREET, SUITE 202
ST. CHARLES, MO 63301
TEL: (636) 947-0607 FAX: (636) 947-2448



ORDER NO. 03-0498
DATE 12/1/03
D6