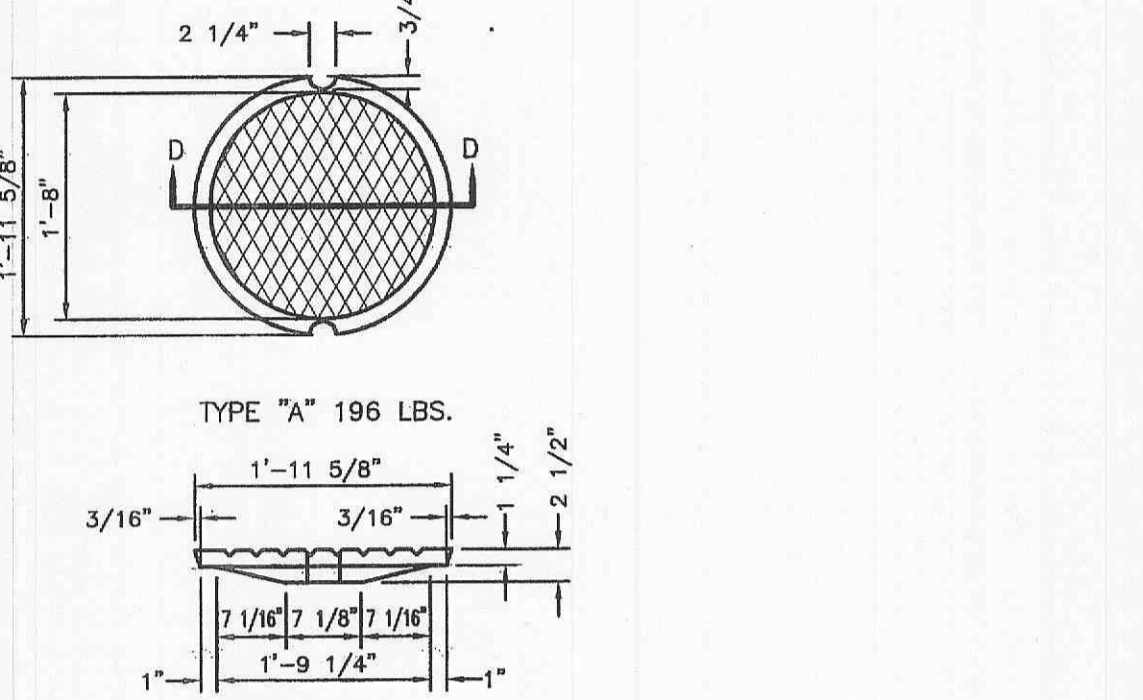
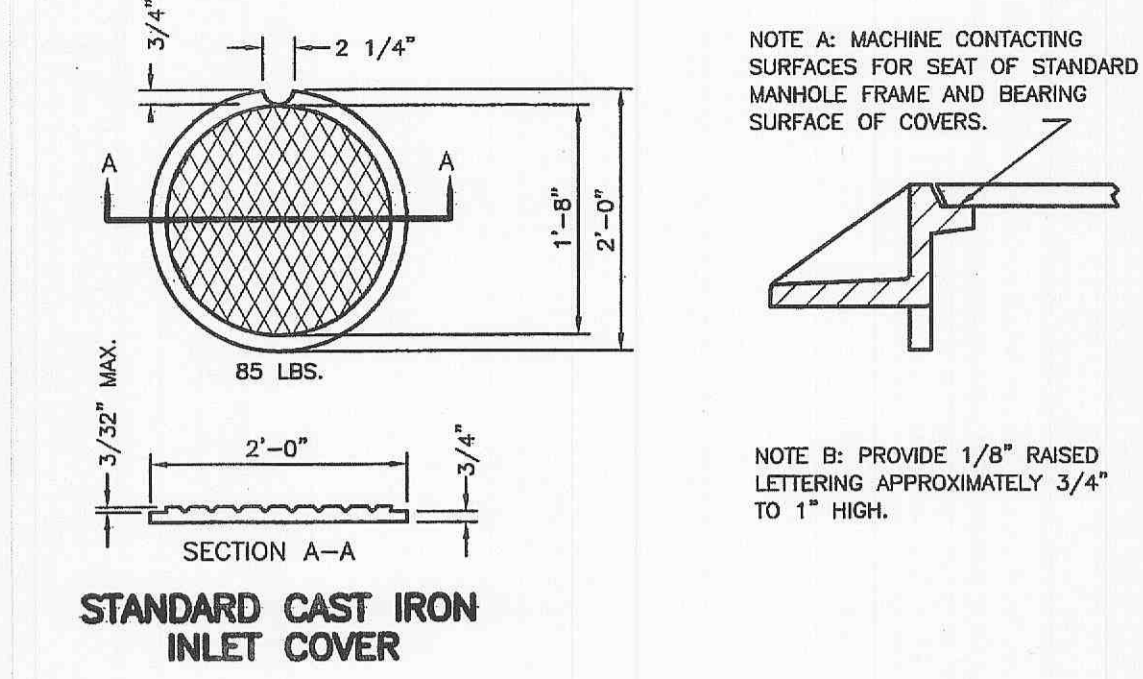
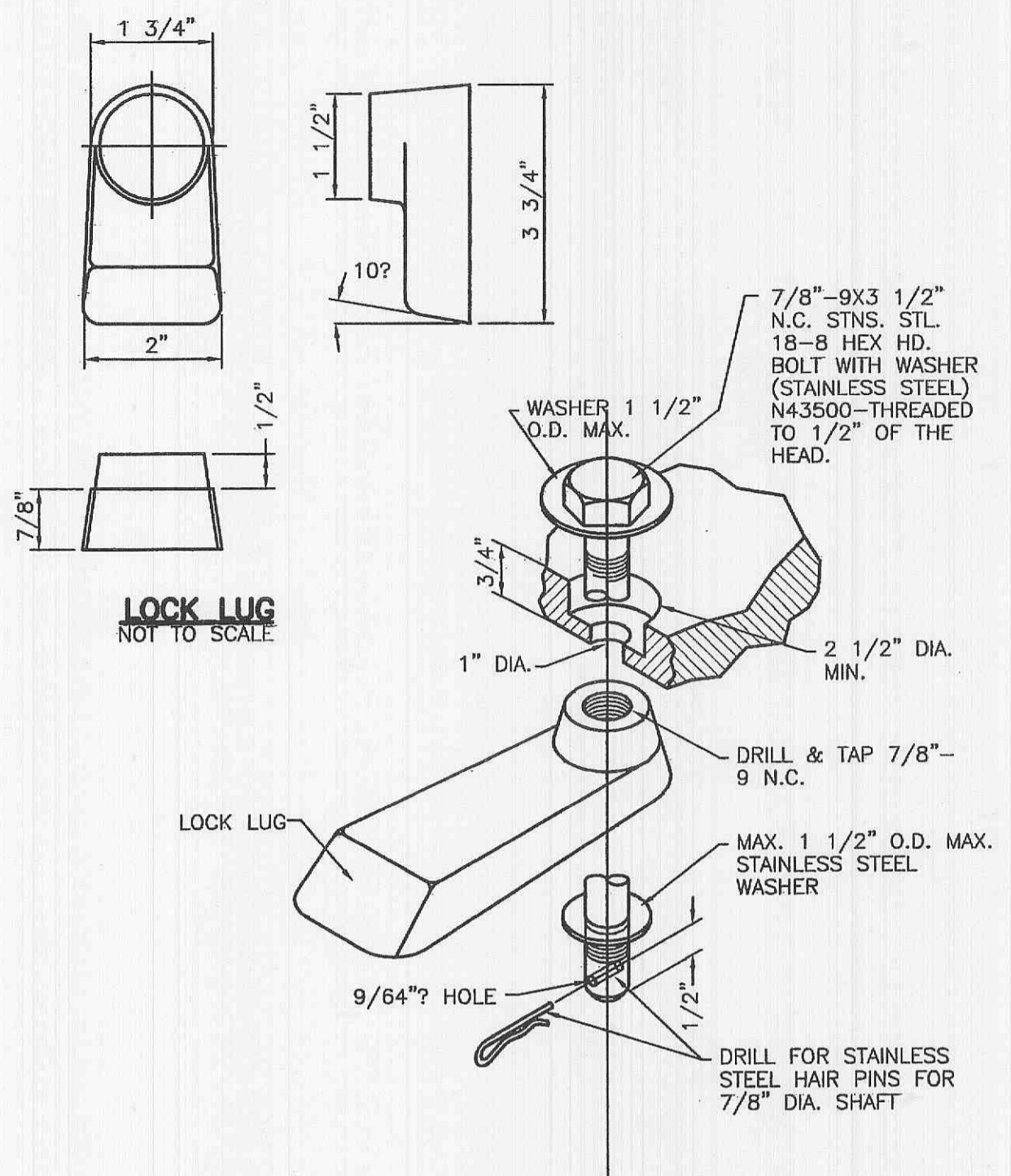


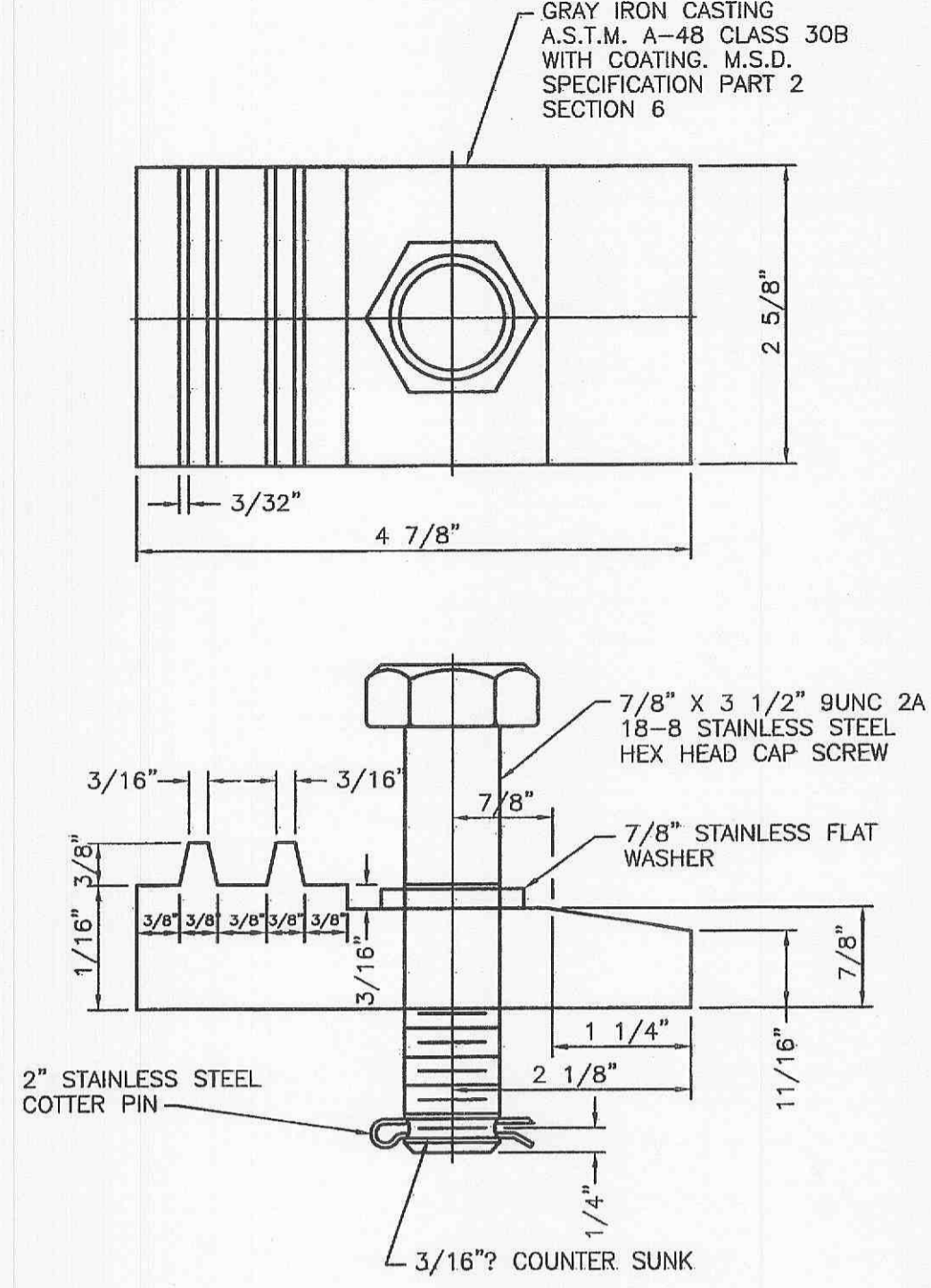
CAST IRON MANHOLE COVERS (LOCK TYPE)



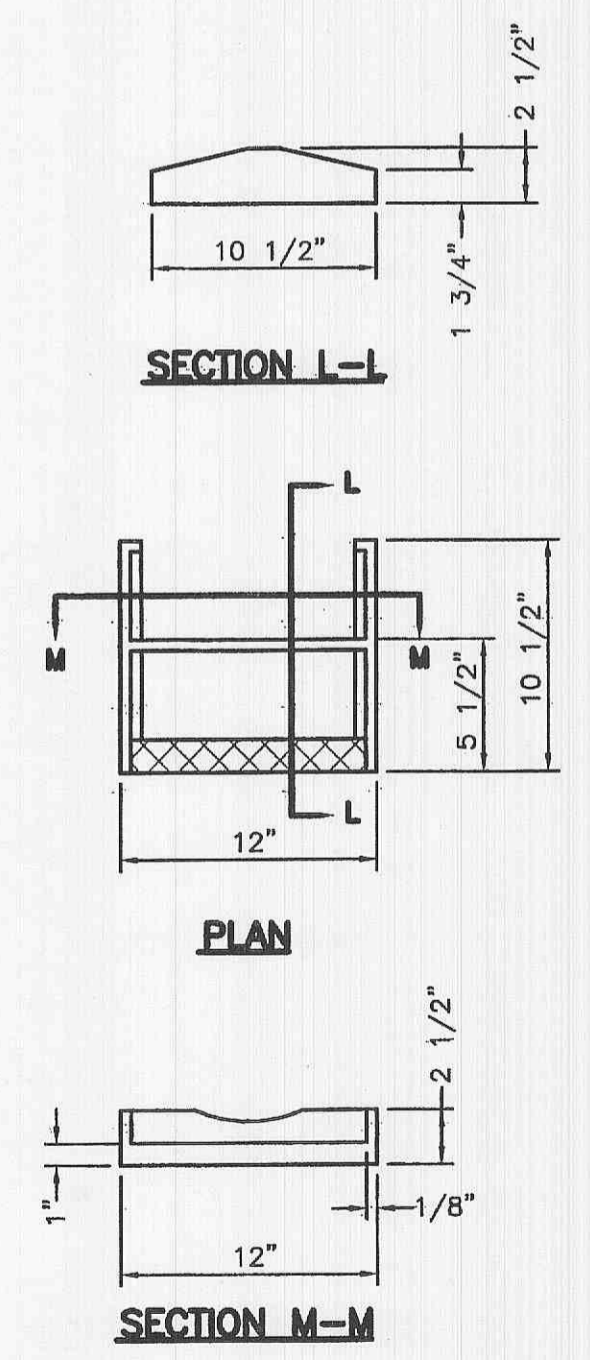
CAST IRON COVERS MANHOLES AND INLETS



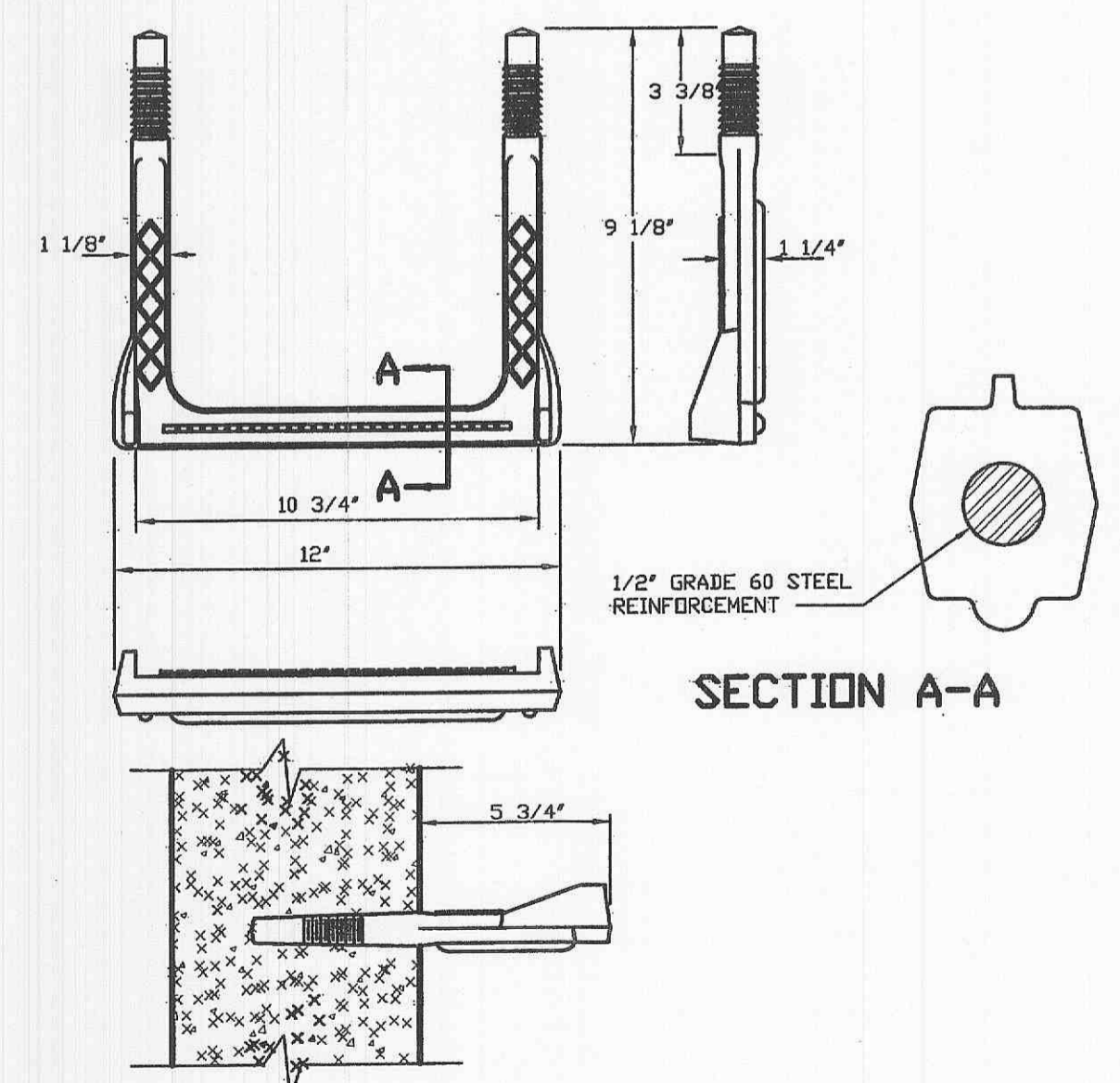
LOCKING DEVICE FOR TYPE 'N' LOCK TYPE MANHOLE COVER



LOCKING DEVICE FOR TYPE 'T' LOCK TYPE MANHOLE COVER



CAST IRON MANHOLE STEPS



COPOLYMER POLYPROPYLENE PLASTIC MANHOLE STEP FOR PRECAST MANHOLE

CITY OF O'FALLON
DEPARTMENT OF PUBLIC WORKS DESIGN GROUP
O'FALLON, MISSOURI

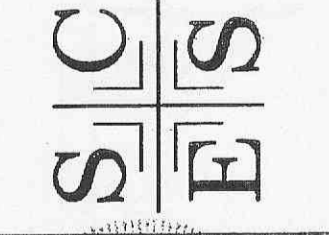


DISCLAIMER OF RESPONSIBILITY
I HEREBY SPECIFY THAT THE DOCUMENTS REFERRED TO ARE APPROVED BY ME AS INDICATED AND I ACCEPT FULL RESPONSIBILITY FOR ALL COSTS INCURRED BY ME IN CONNECTION WITH THE DESIGN AND CONSTRUCTION OF THE PROJECTS REFERRED TO IN THESE DOCUMENTS. I AM NOT PROVIDING ANY DESIGN OR OTHER SERVICES TO ANY OTHER PARTY AND I AM NOT PROVIDING ANY DESIGN OR OTHER SERVICES TO ANY OTHER PARTY.

DESIGNED: _____
CHECKED: _____
DATE: _____
PROJECT NO.: _____
SHEET OF _____

MAGNOLIA
SANITARY DETAILS 2

ST. CHARLES ENGINEERING & SURVEYING, INC.
801 S. FIFTH STREET, SUITE 202
ST. CHARLES, MO 63301
TEL: (636) 947-0607 FAX: (636) 947-2448



12 28 04

ORDER NO. 03-0498
DATE 12/1/03
D7