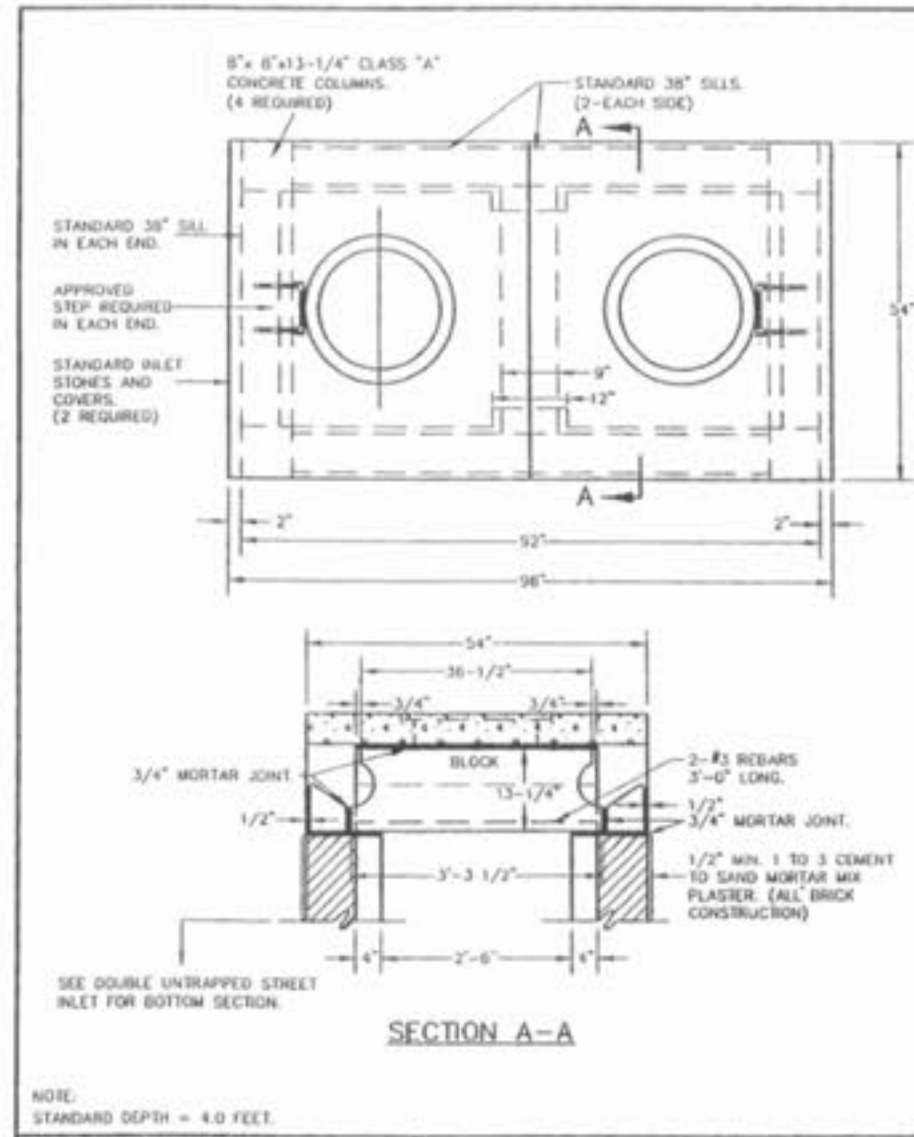
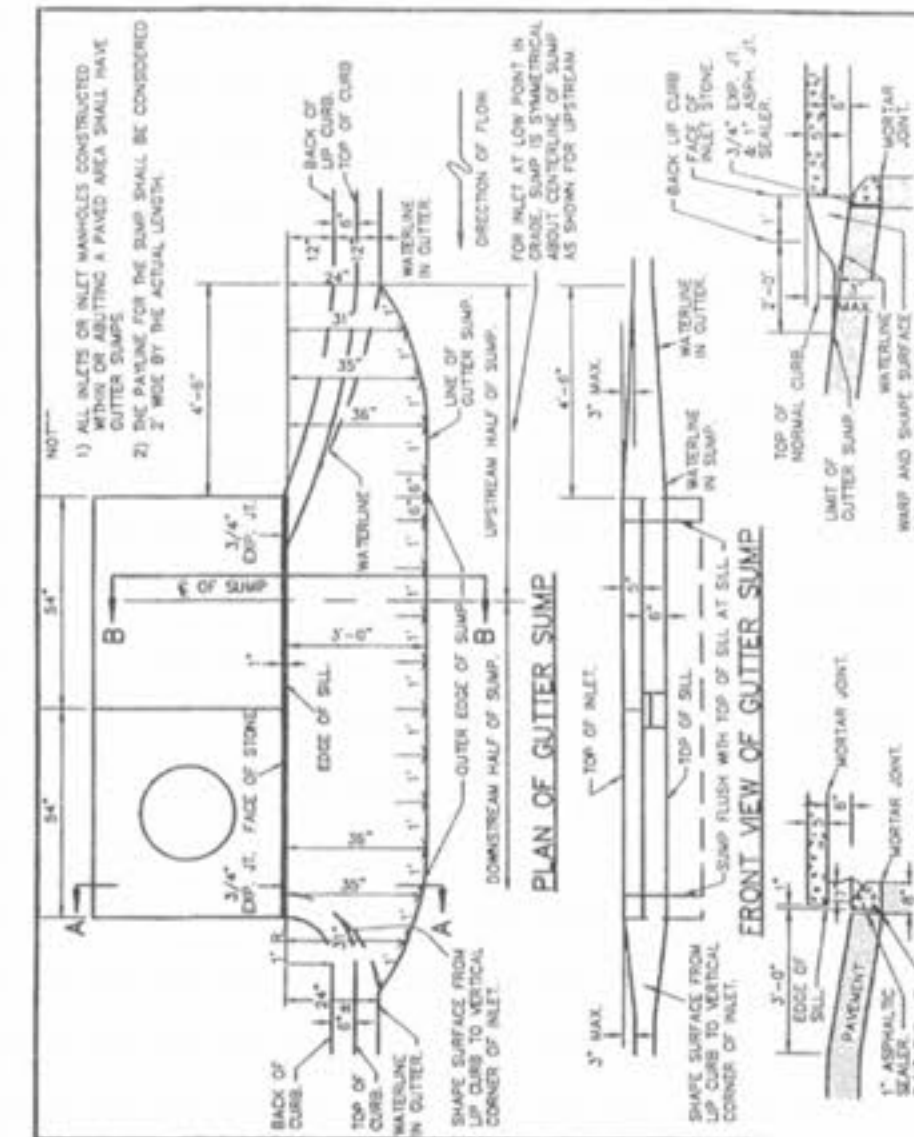


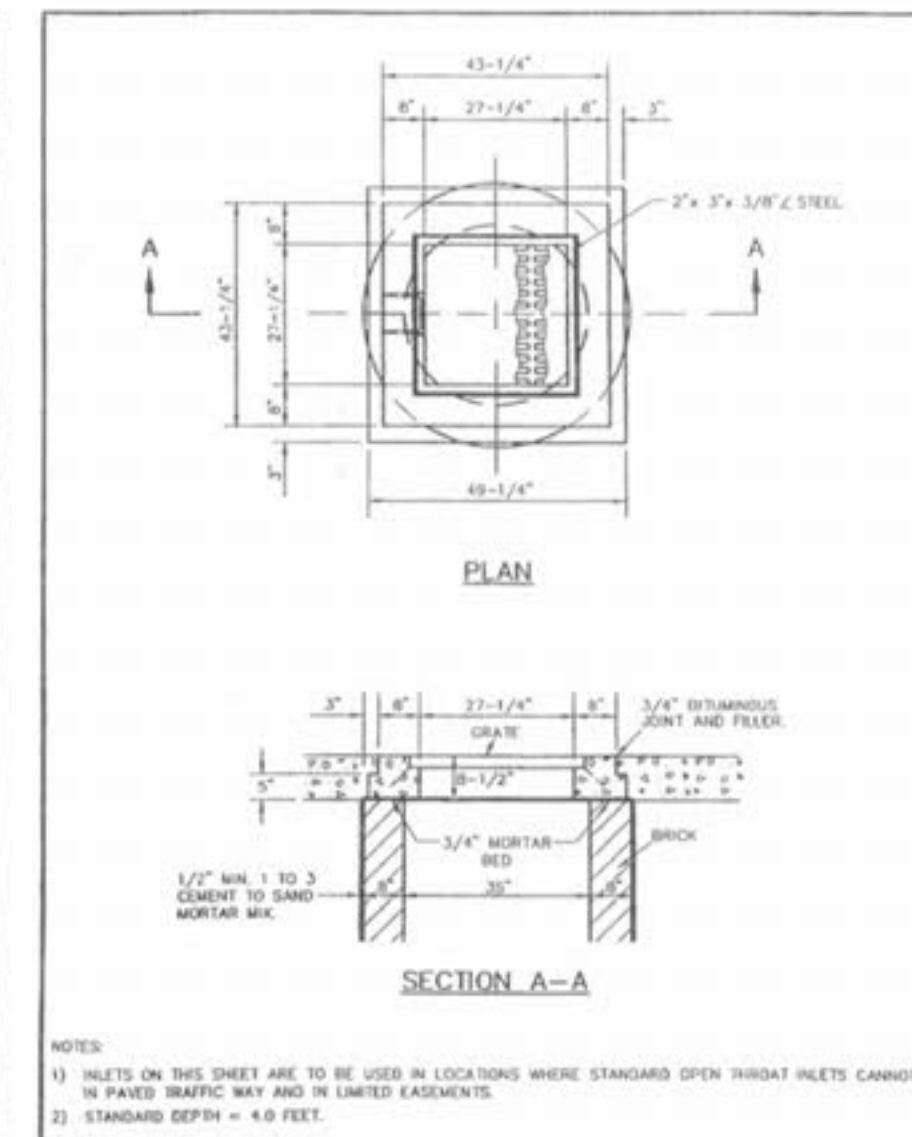
AREA INLET MANHOLE (12" THRU 24") METROPOLITAN ST. LOUIS SEWER DISTRICT Standard Details of Sewer Construction Dr. RGM/SAM Ch. J.C.K. 2000 SHEET 30



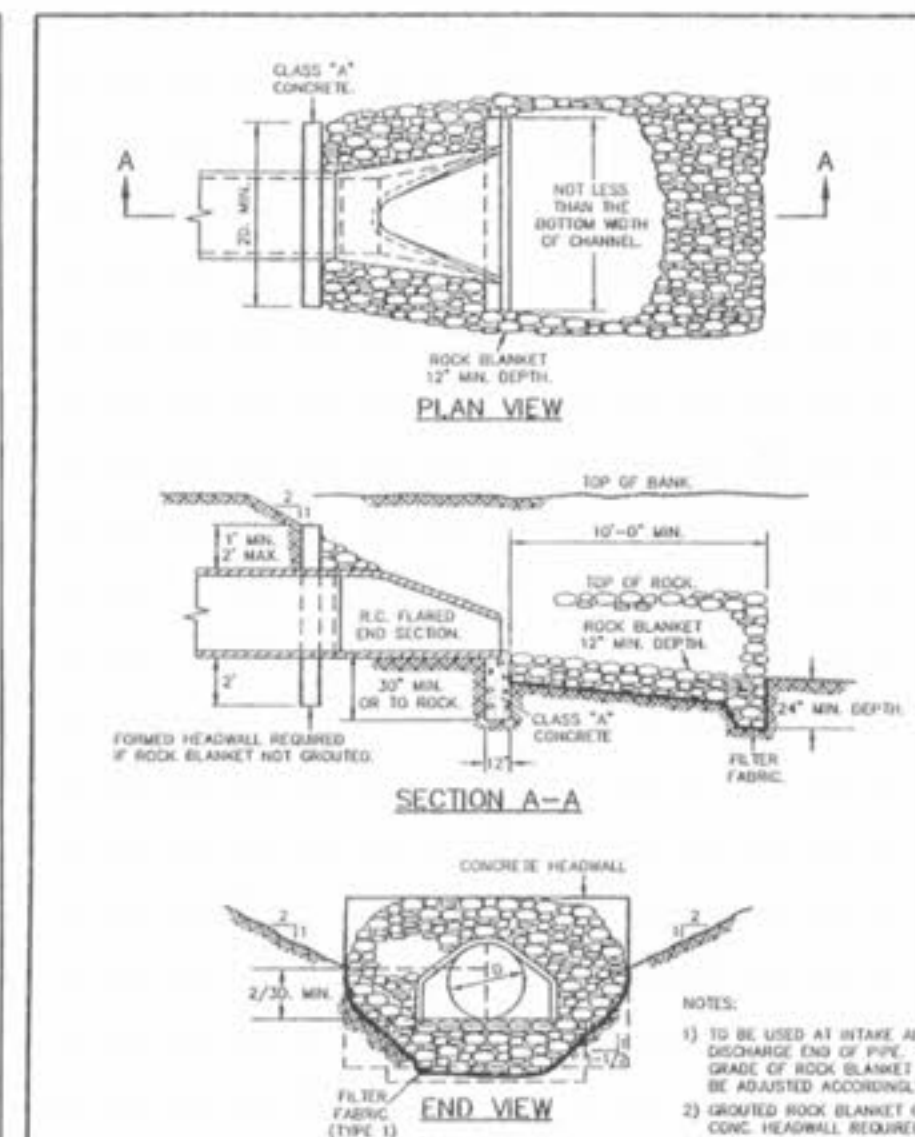
DOUBLE AREA INLET OPEN 4 SIDES BRICK CONSTRUCTION METROPOLITAN ST. LOUIS SEWER DISTRICT Standard Details of Sewer Construction Dr. RGM/SAM Ch. J.C.K. 2000 SHEET 31



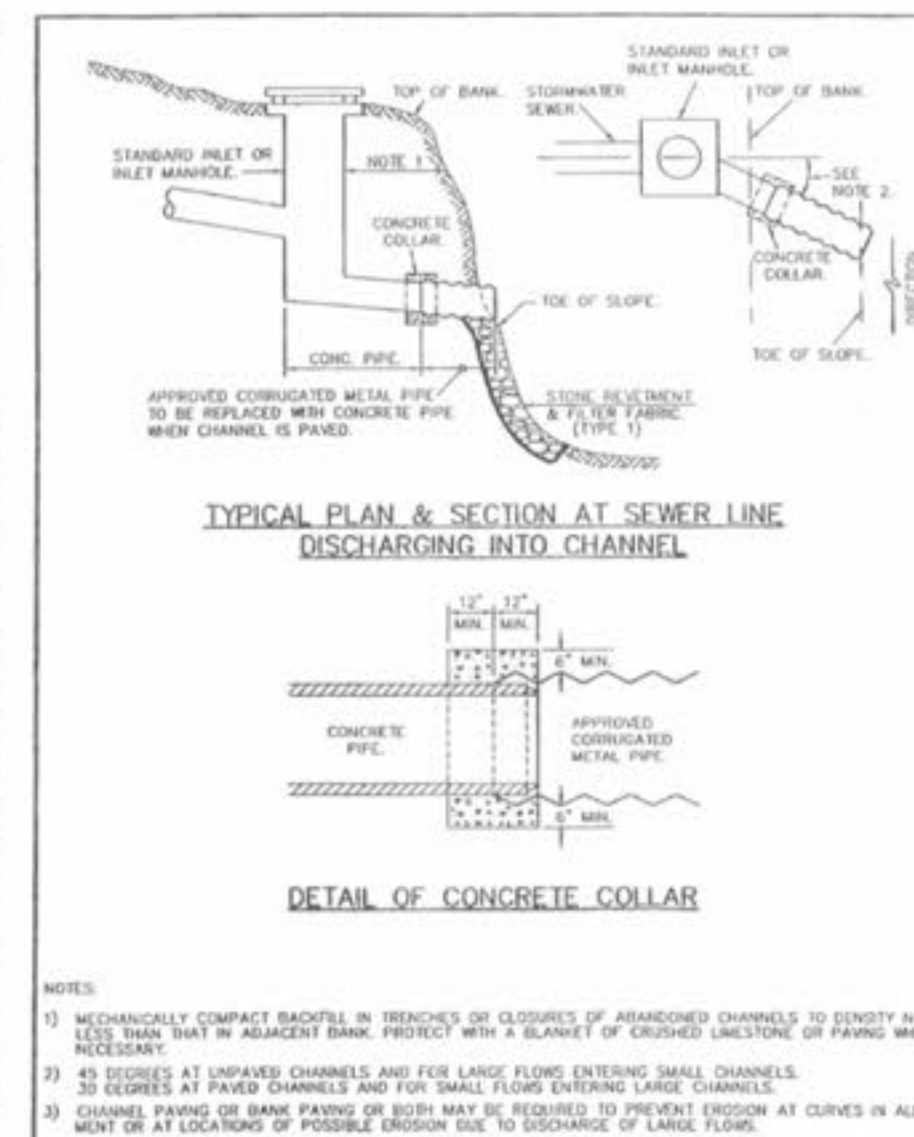
GUTTER SUMP FOR LIP CURB METROPOLITAN ST. LOUIS SEWER DISTRICT Standard Details of Sewer Construction Dr. RGM/SAM Ch. J.C.K. 2000 SHEET 60



2 GRATE INLET BRICK CONSTRUCTION METROPOLITAN ST. LOUIS SEWER DISTRICT Standard Details of Sewer Construction Dr. RGM/SAM Ch. J.C.K. 2000 SHEET 32



FLARED END SECTION METROPOLITAN ST. LOUIS SEWER DISTRICT Standard Details of Sewer Construction Dr. WSH/SAM Ch. J.C.K. 2000 SHEET 61

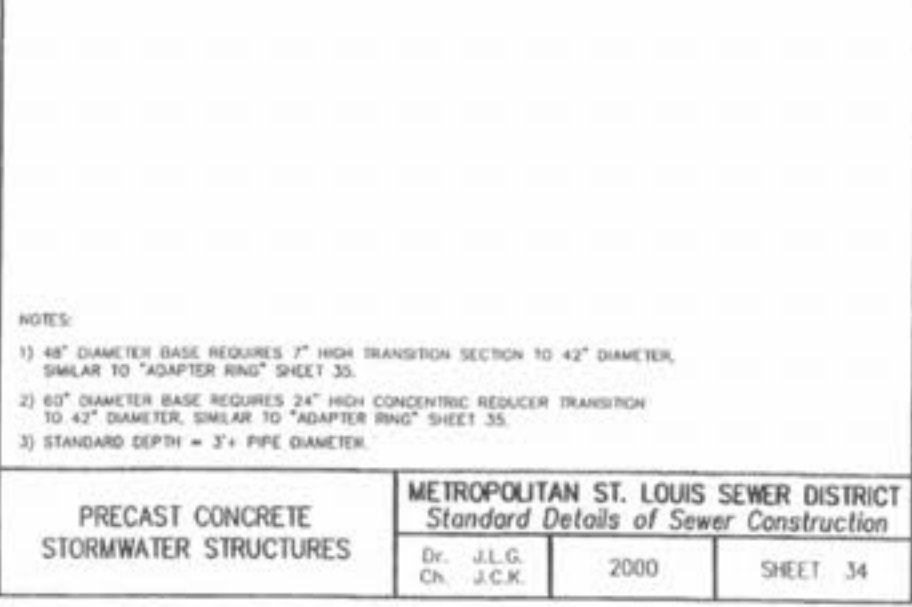


STORMWATER CHANNELS METROPOLITAN ST. LOUIS SEWER DISTRICT Standard Details of Sewer Construction Dr. RGM/SAM Ch. J.C.K. 2000 SHEET 62

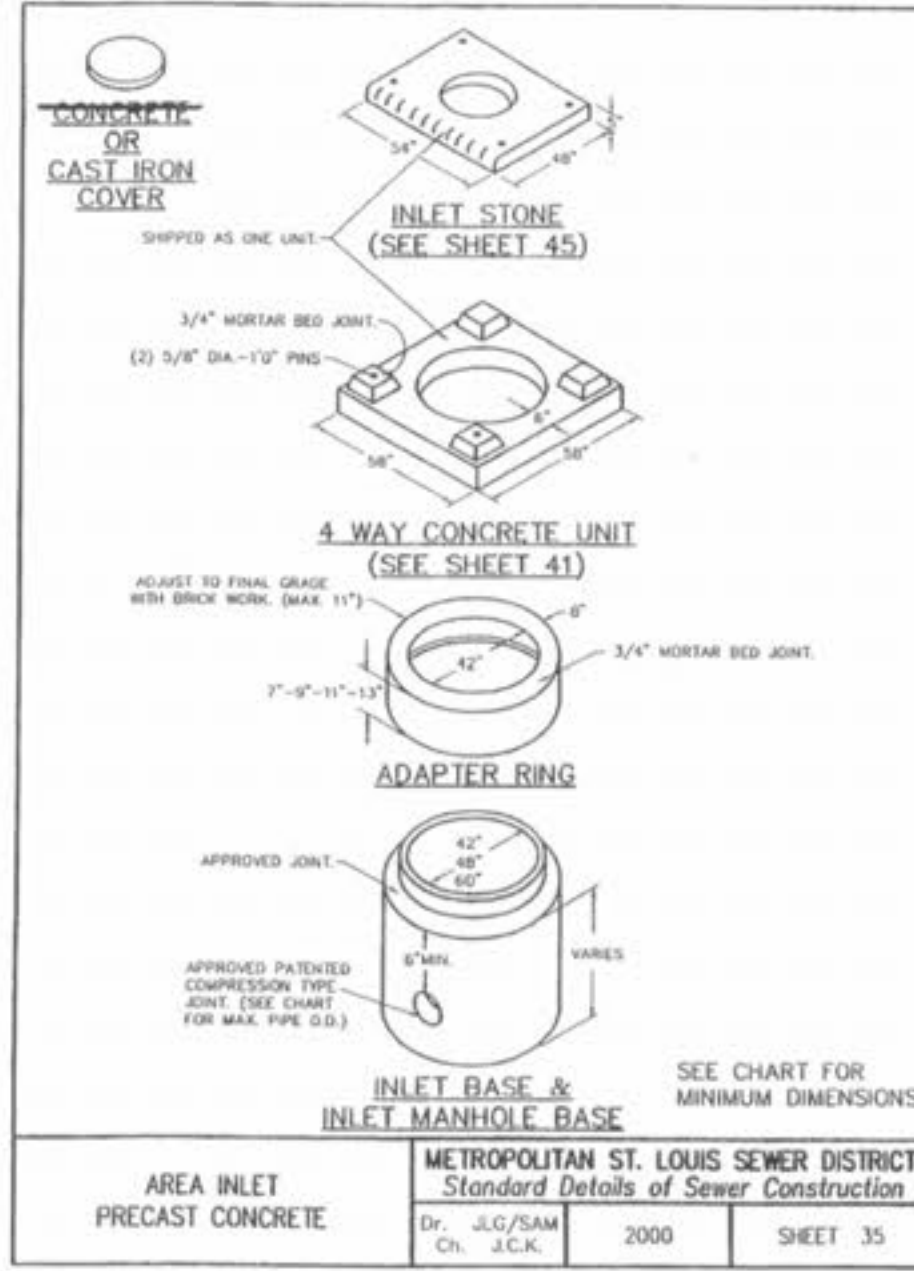
PRECAST CONCRETE STORMWATER STRUCTURES

MINIMUM DISTANCE FLOWLINE TO TOP OF STONE OR GRATE

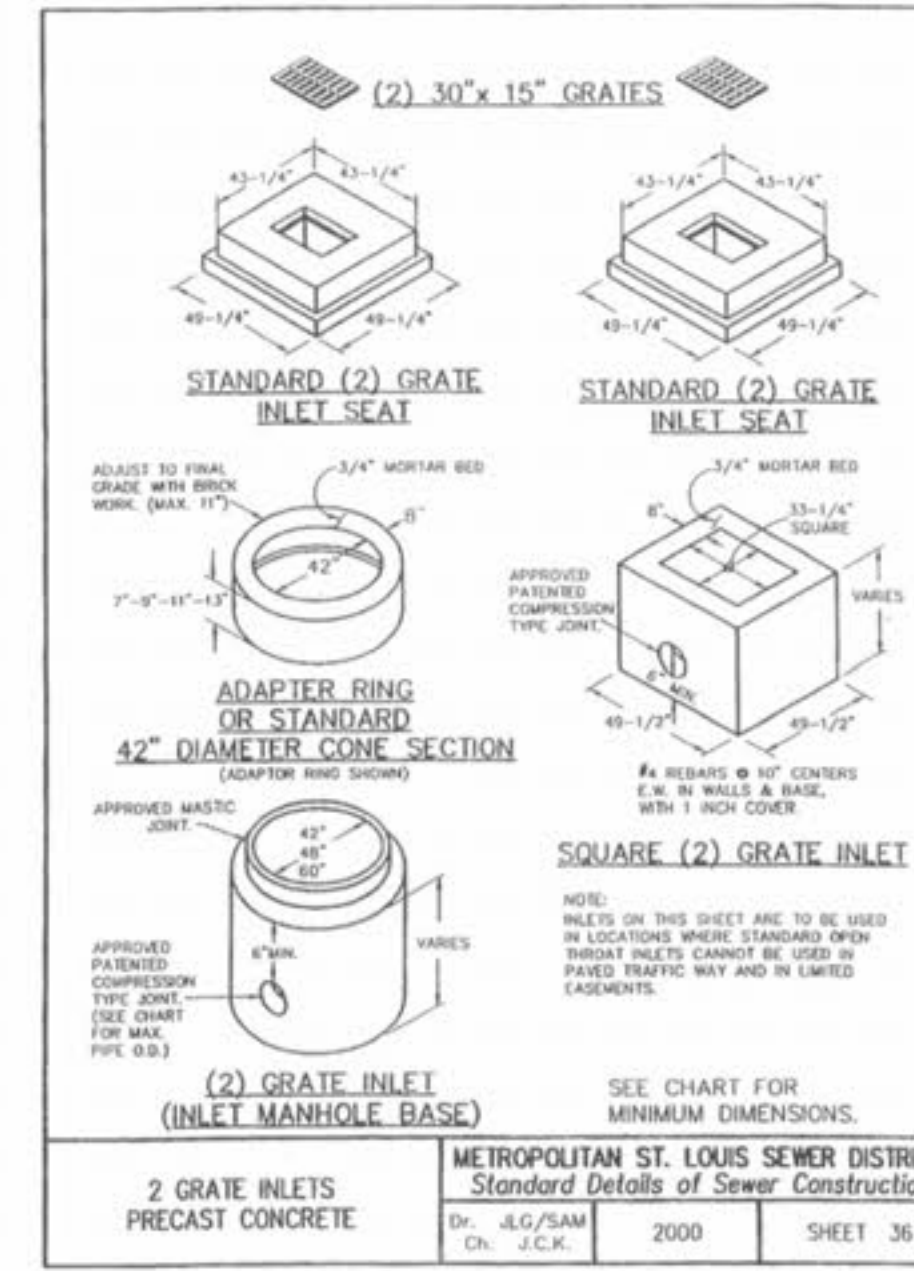
PIPE I.D. NOMINAL INCHES	AREA INLET CIRCULAR BASE DIA.	(2) GRATE INLET CIRCULAR BASE DIA. (SQUARE CIRCULAR BASE DIA. RECTANGULAR)	SINGLE STREET INLET CIRCULAR BASE DIA. (RECTANGULAR)
12"	45"	38"	31"
15"	48"	41"	34"
18"	52"	44"	37"
21"	55"	47"	40"
24"	58"	50"	43"
27"	61"	53"	46"
30"	64"	56"	49"
33"	67"	59"	52"
36"	70"	62"	55"
39"	73"	65"	58"
42"	76"	68"	61"
45"	79"	71"	64"
48"	82"	74"	67"
51"	85"	77"	70"
54"	88"	80"	73"
57"	91"	83"	76"
60"	94"	86"	79"
63"	97"	89"	82"
66"	100"	92"	85"
69"	103"	95"	88"
72"	106"	98"	91"
75"	109"	101"	94"
78"	112"	104"	97"
81"	115"	107"	100"
84"	118"	110"	103"
87"	121"	113"	106"
90"	124"	116"	109"
93"	127"	119"	112"
96"	130"	122"	115"
99"	133"	125"	118"
102"	136"	128"	121"
105"	139"	131"	124"
108"	142"	134"	127"
111"	145"	137"	130"
114"	148"	140"	133"
117"	151"	143"	136"
120"	154"	146"	139"



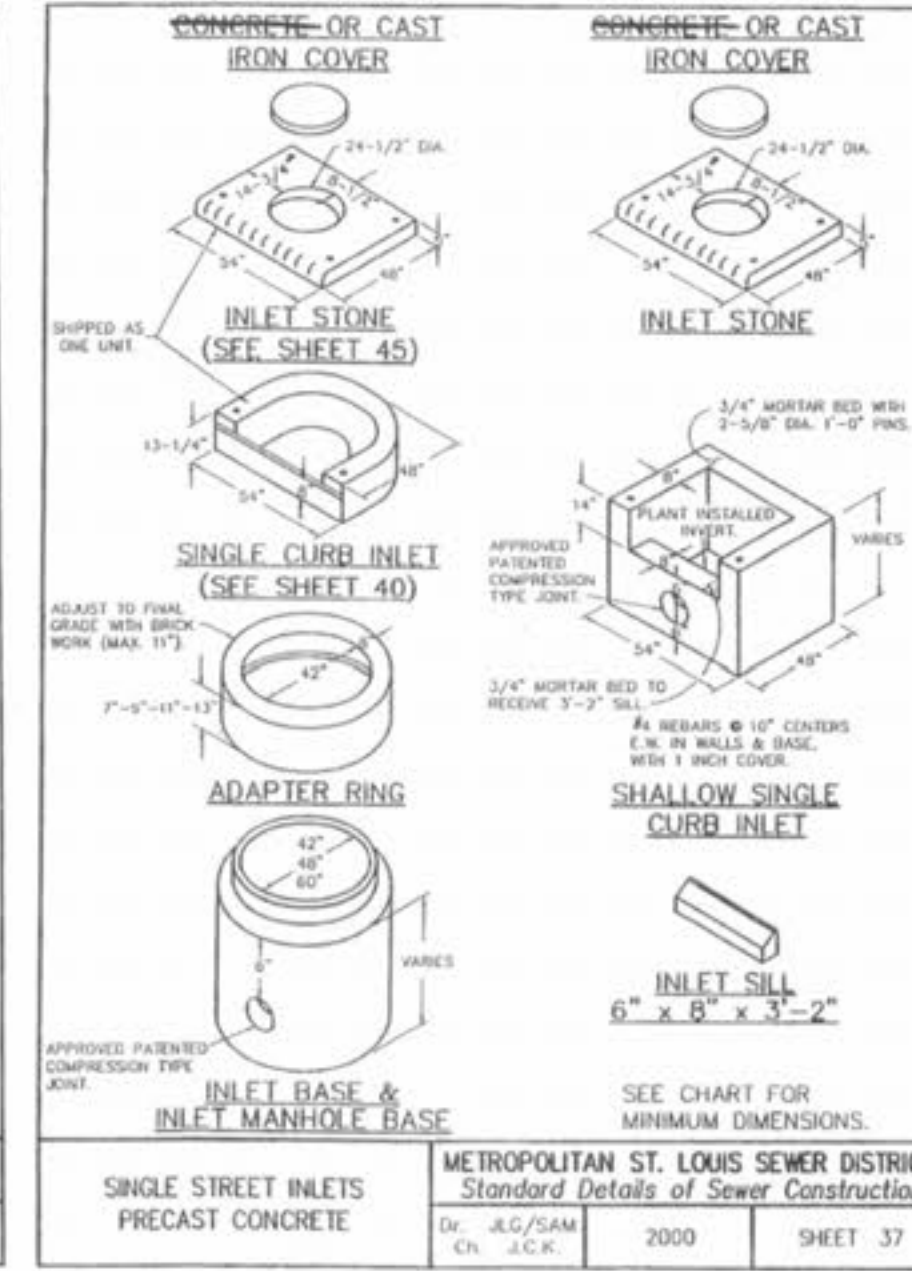
PRECAST CONCRETE STORMWATER STRUCTURES METROPOLITAN ST. LOUIS SEWER DISTRICT Standard Details of Sewer Construction Dr. J.L.G./SAM Ch. J.C.K. 2000 SHEET 34



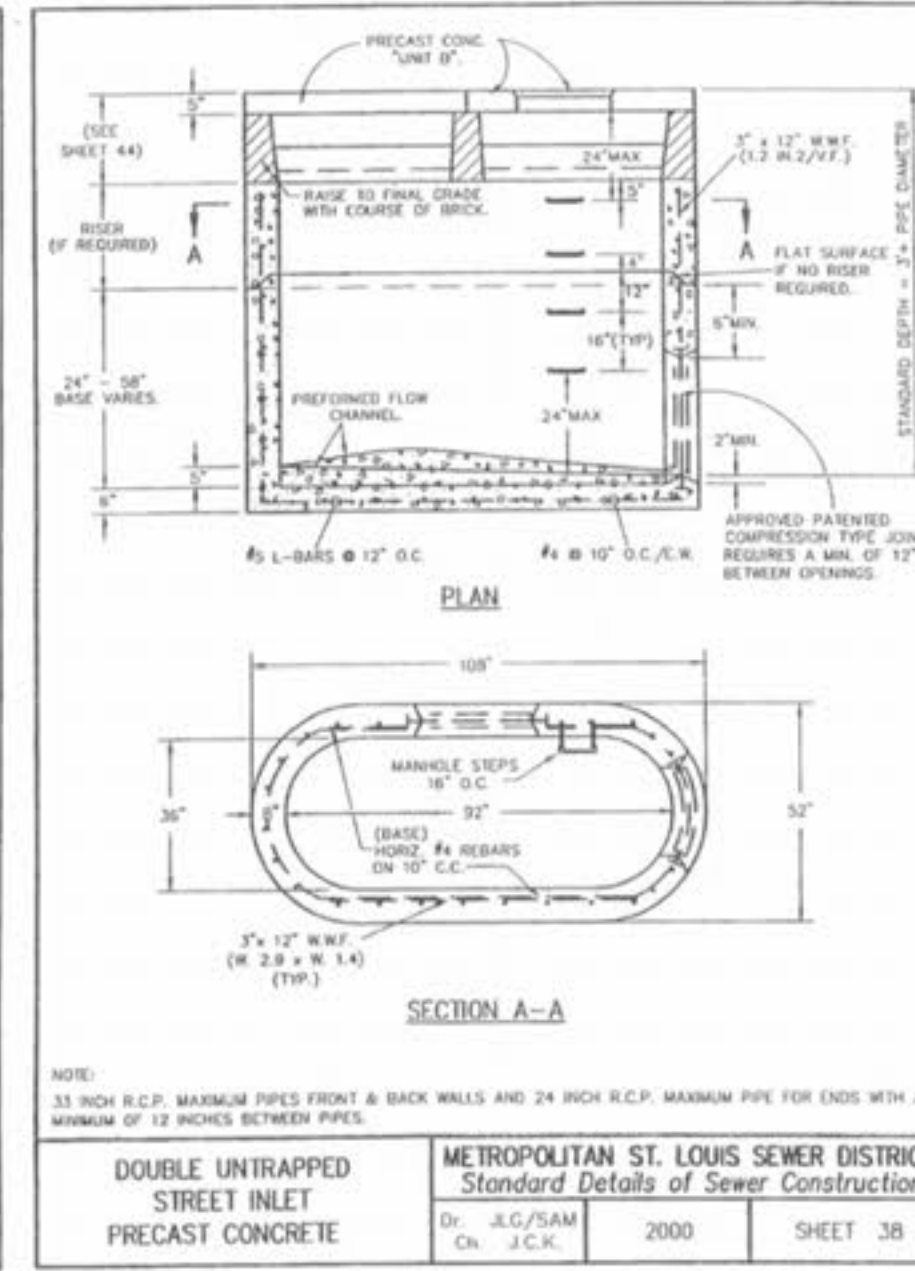
AREA INLET PRECAST CONCRETE METROPOLITAN ST. LOUIS SEWER DISTRICT Standard Details of Sewer Construction Dr. J.L.G./SAM Ch. J.C.K. 2000 SHEET 35



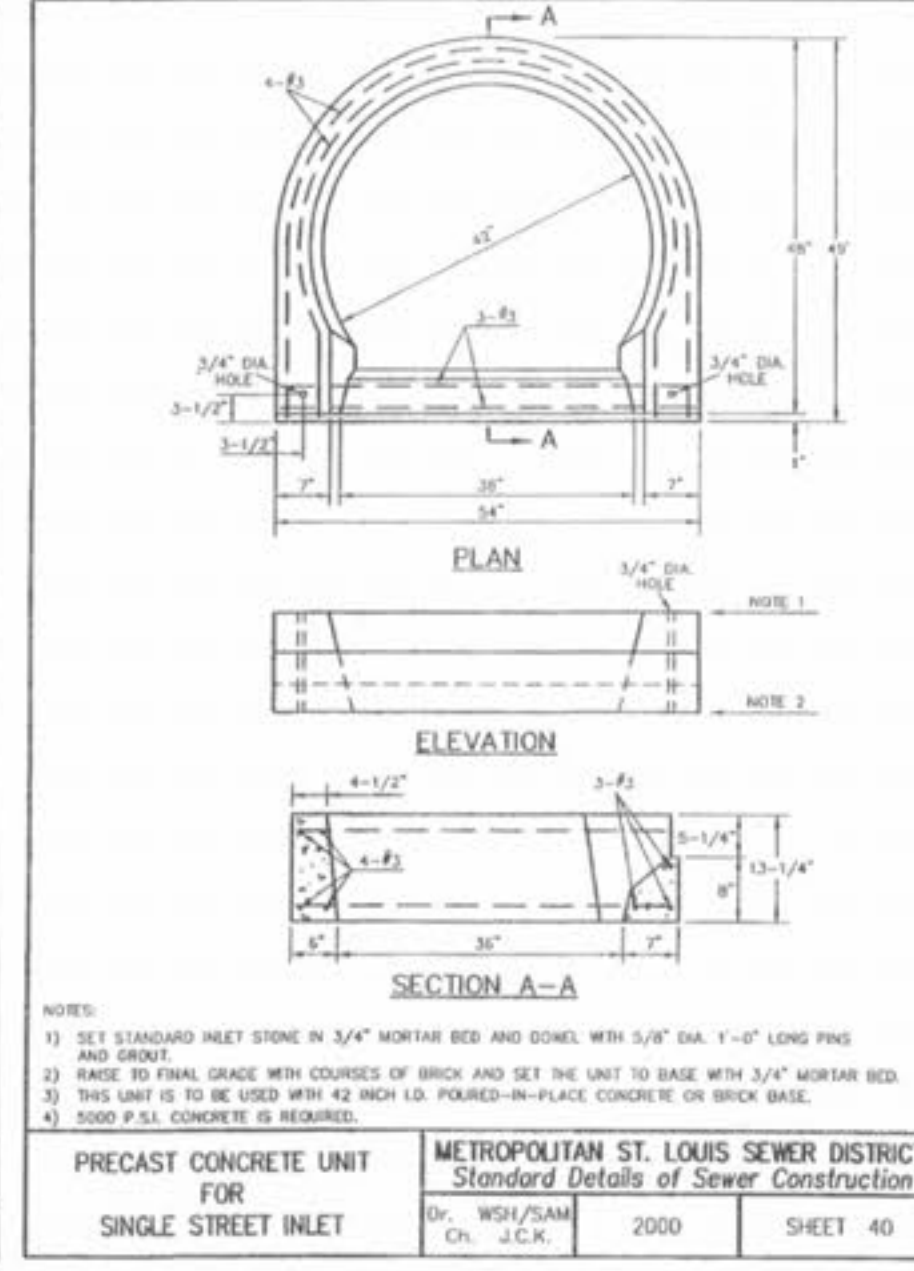
2 GRATE INLETS PRECAST CONCRETE METROPOLITAN ST. LOUIS SEWER DISTRICT Standard Details of Sewer Construction Dr. J.L.G./SAM Ch. J.C.K. 2000 SHEET 36



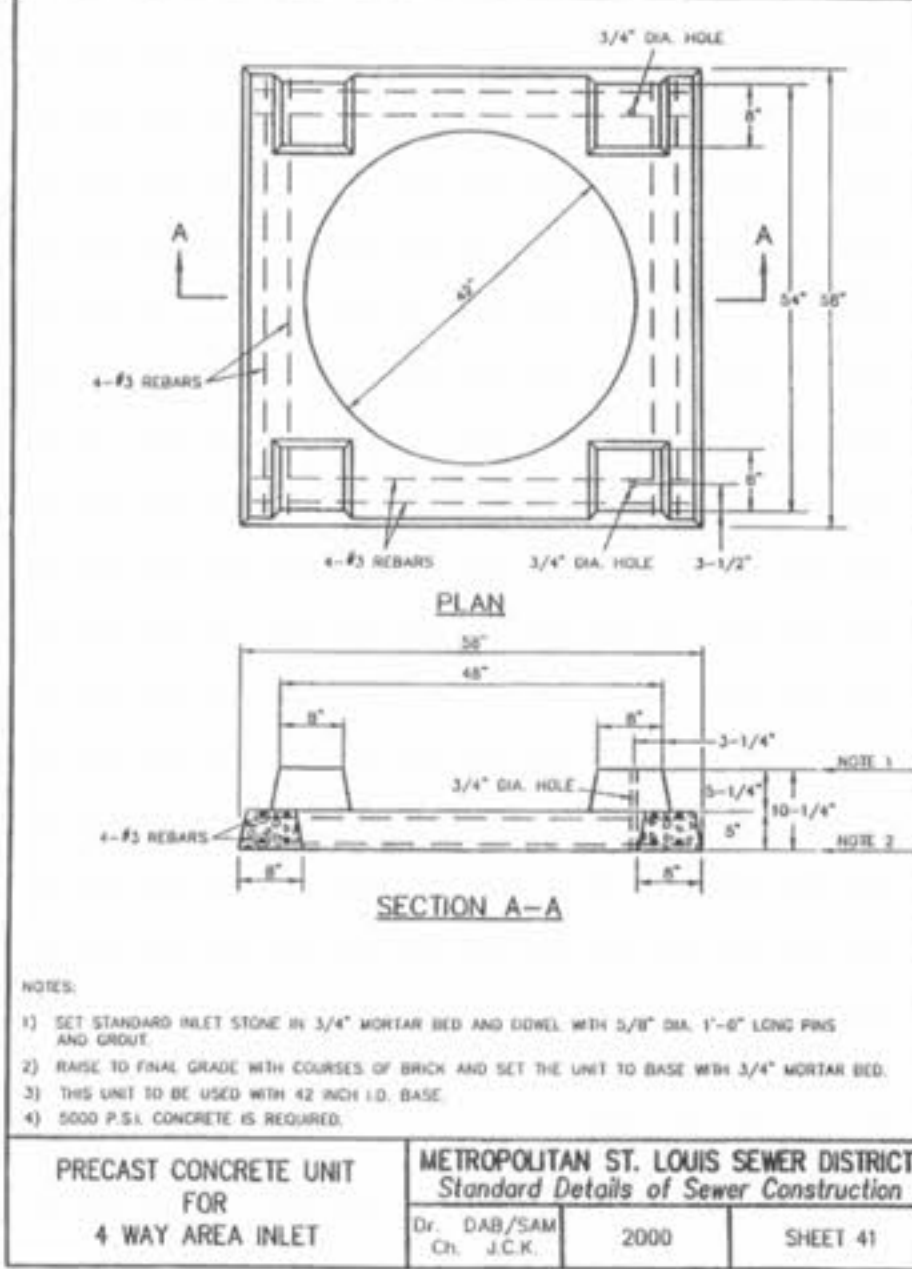
SINGLE STREET INLETS PRECAST CONCRETE METROPOLITAN ST. LOUIS SEWER DISTRICT Standard Details of Sewer Construction Dr. J.L.G./SAM Ch. J.C.K. 2000 SHEET 37



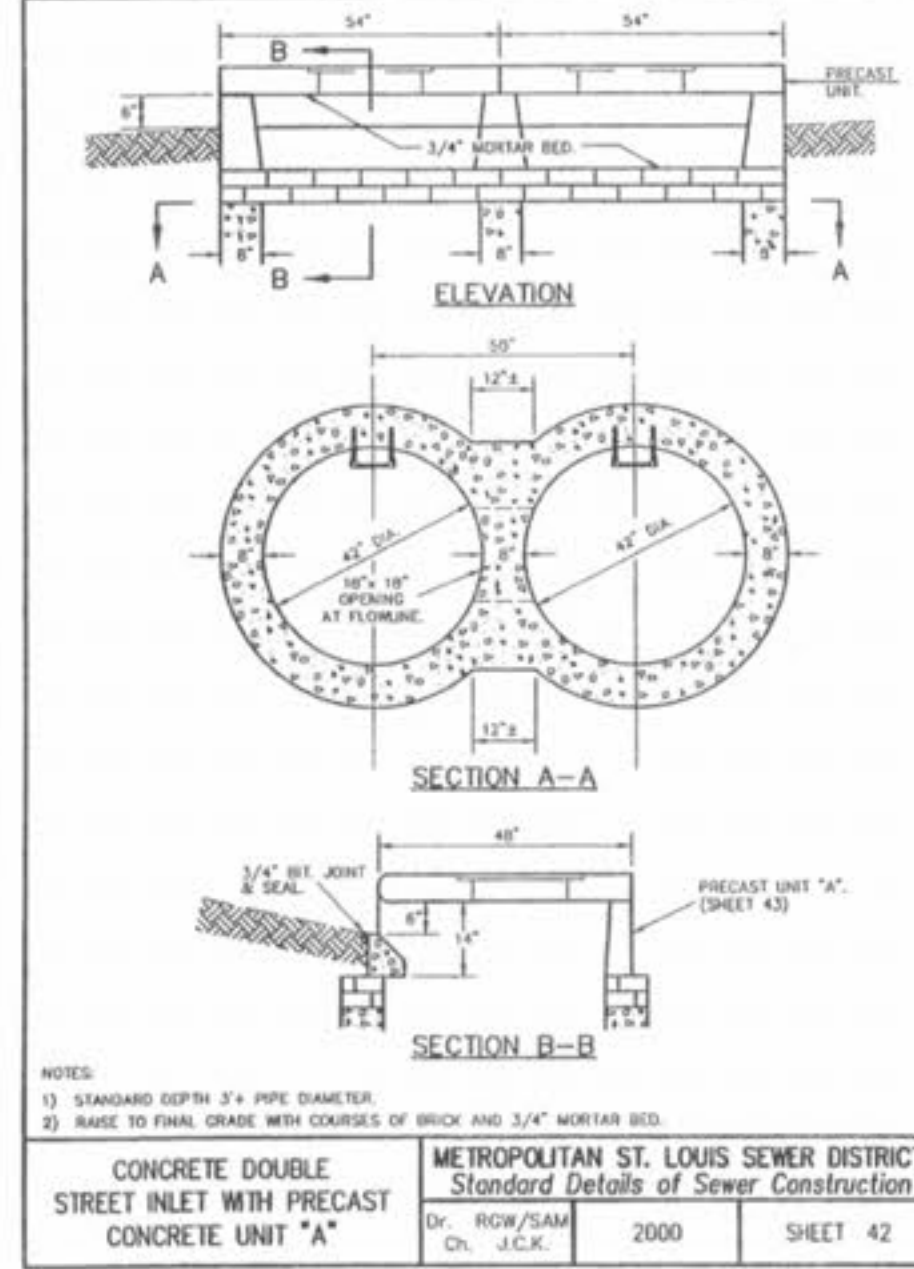
DOUBLE UNTRAPPED STREET INLET PRECAST CONCRETE METROPOLITAN ST. LOUIS SEWER DISTRICT Standard Details of Sewer Construction Dr. J.C.G./SAM Ch. J.C.K. 2000 SHEET 38



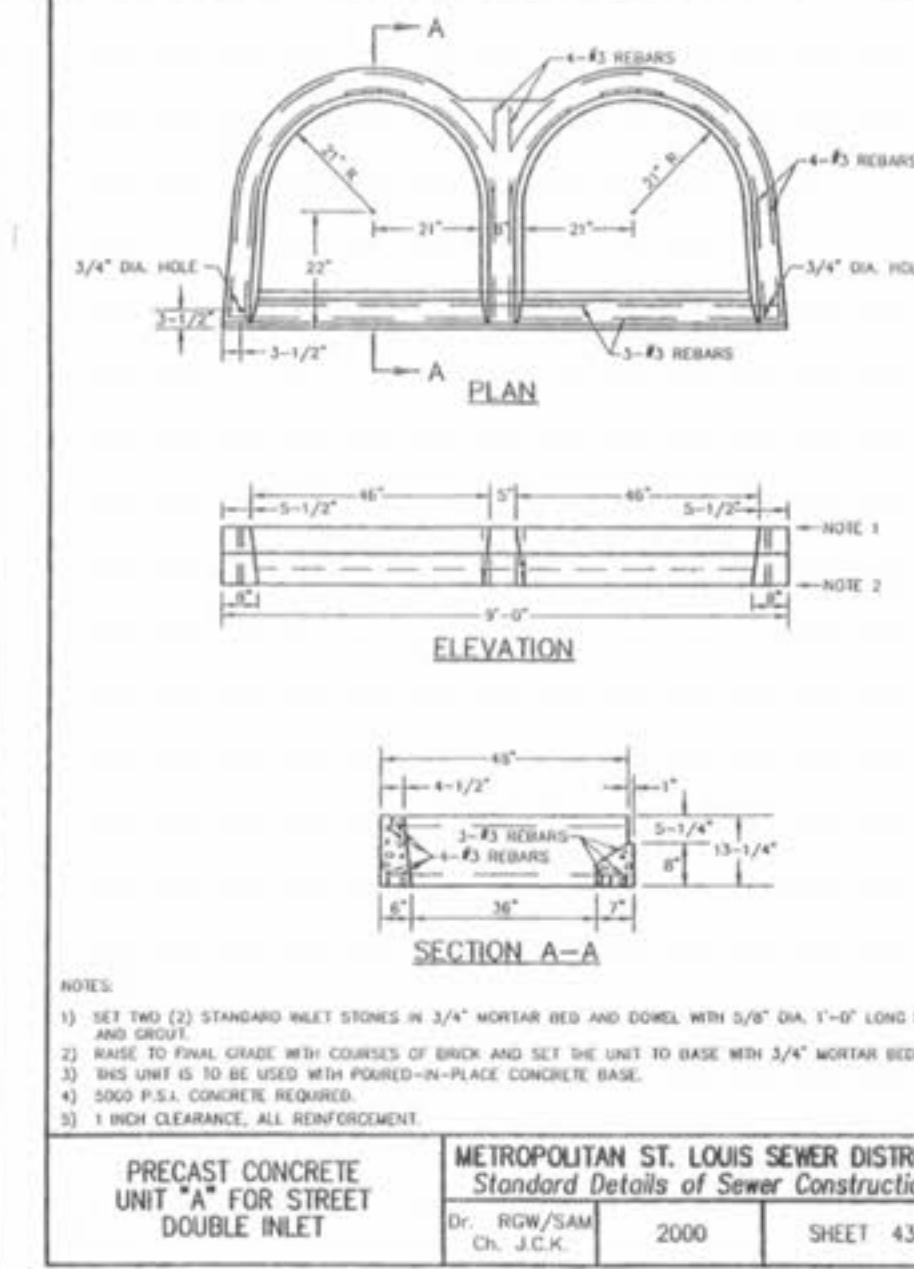
PRECAST CONCRETE UNIT FOR SINGLE STREET INLET METROPOLITAN ST. LOUIS SEWER DISTRICT Standard Details of Sewer Construction Dr. WSH/SAM Ch. J.C.K. 2000 SHEET 40



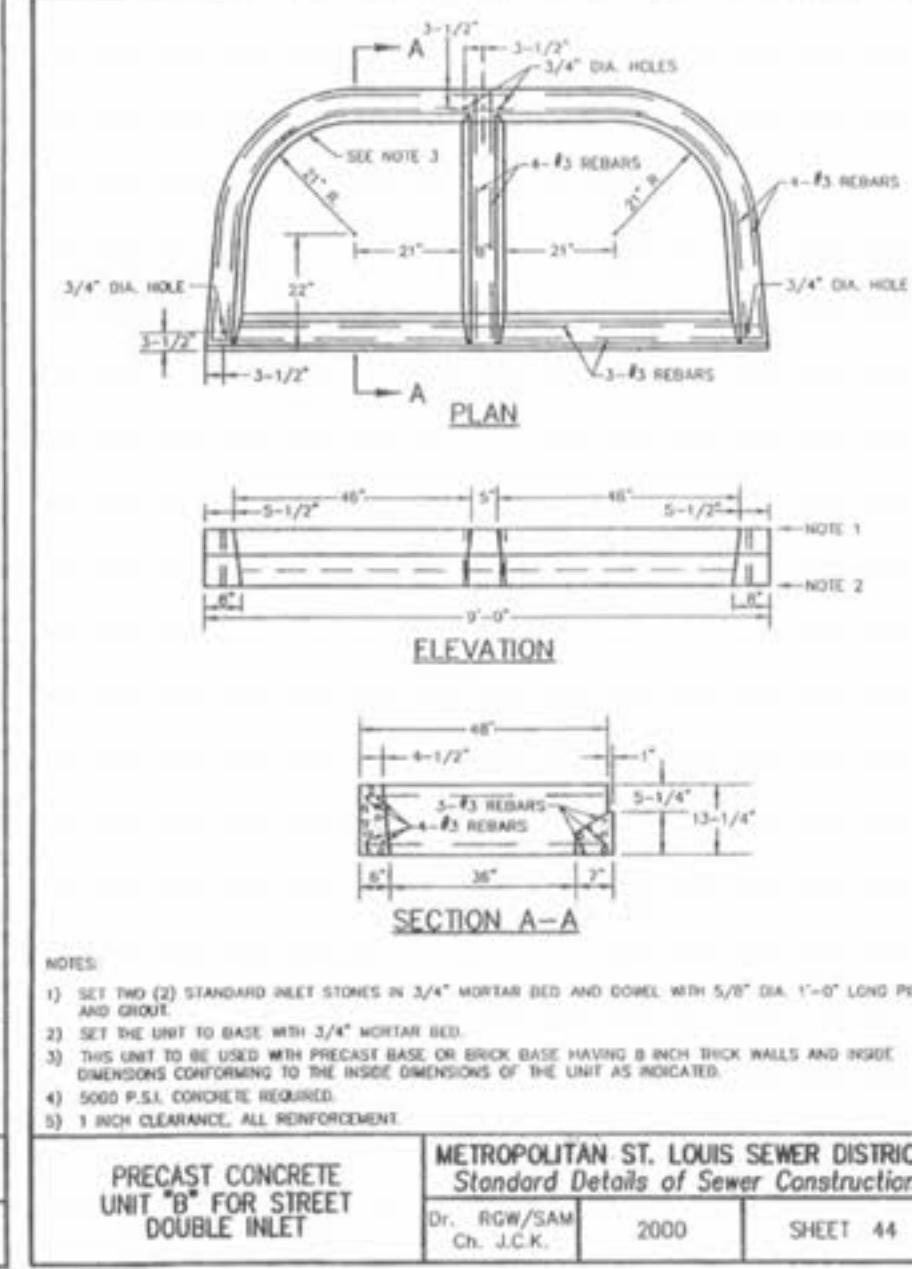
PRECAST CONCRETE UNIT FOR 4 WAY AREA INLET METROPOLITAN ST. LOUIS SEWER DISTRICT Standard Details of Sewer Construction Dr. DAB/SAM Ch. J.C.K. 2000 SHEET 41



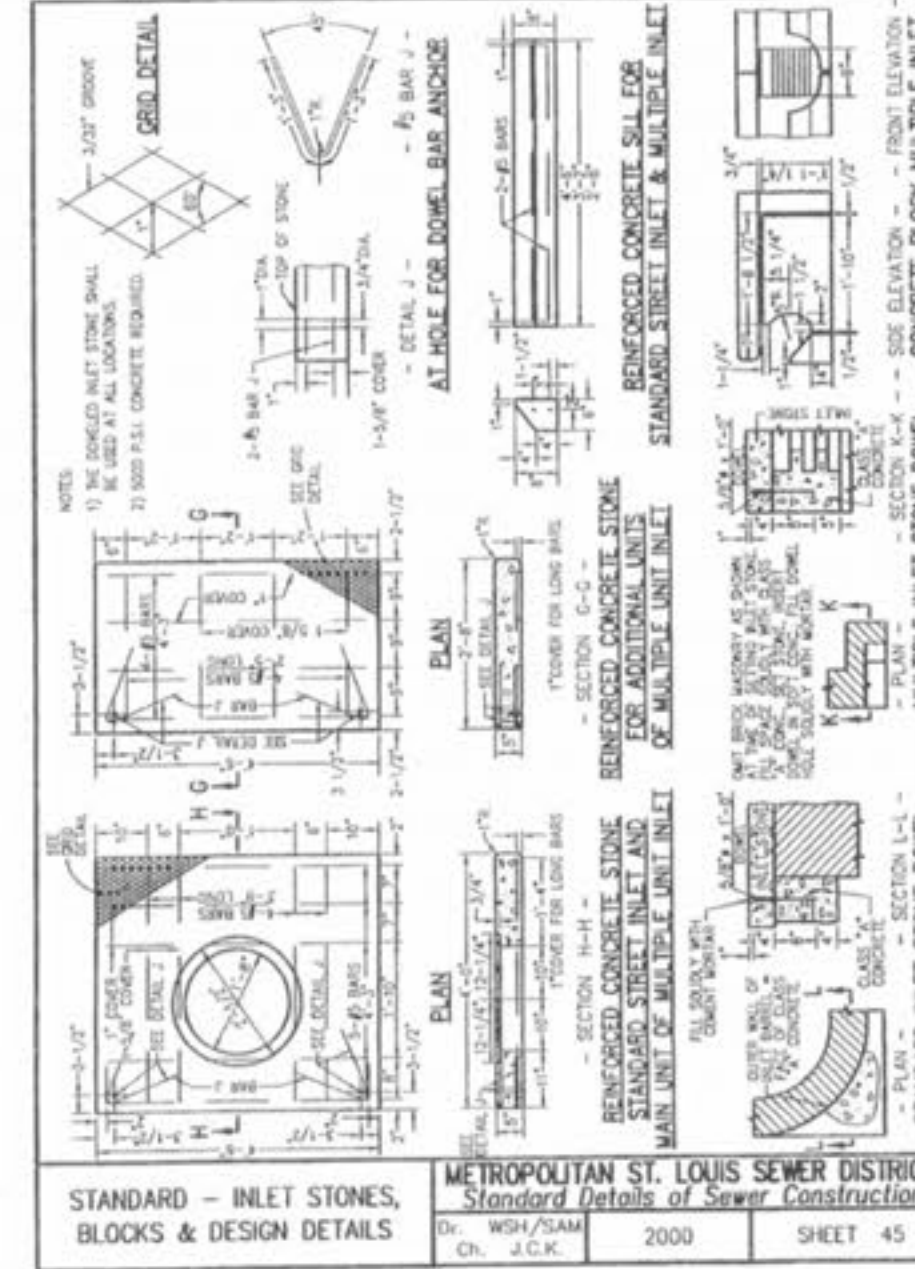
CONCRETE DOUBLE STREET INLET WITH PRECAST CONCRETE UNIT 'A' METROPOLITAN ST. LOUIS SEWER DISTRICT Standard Details of Sewer Construction Dr. RGM/SAM Ch. J.C.K. 2000 SHEET 42



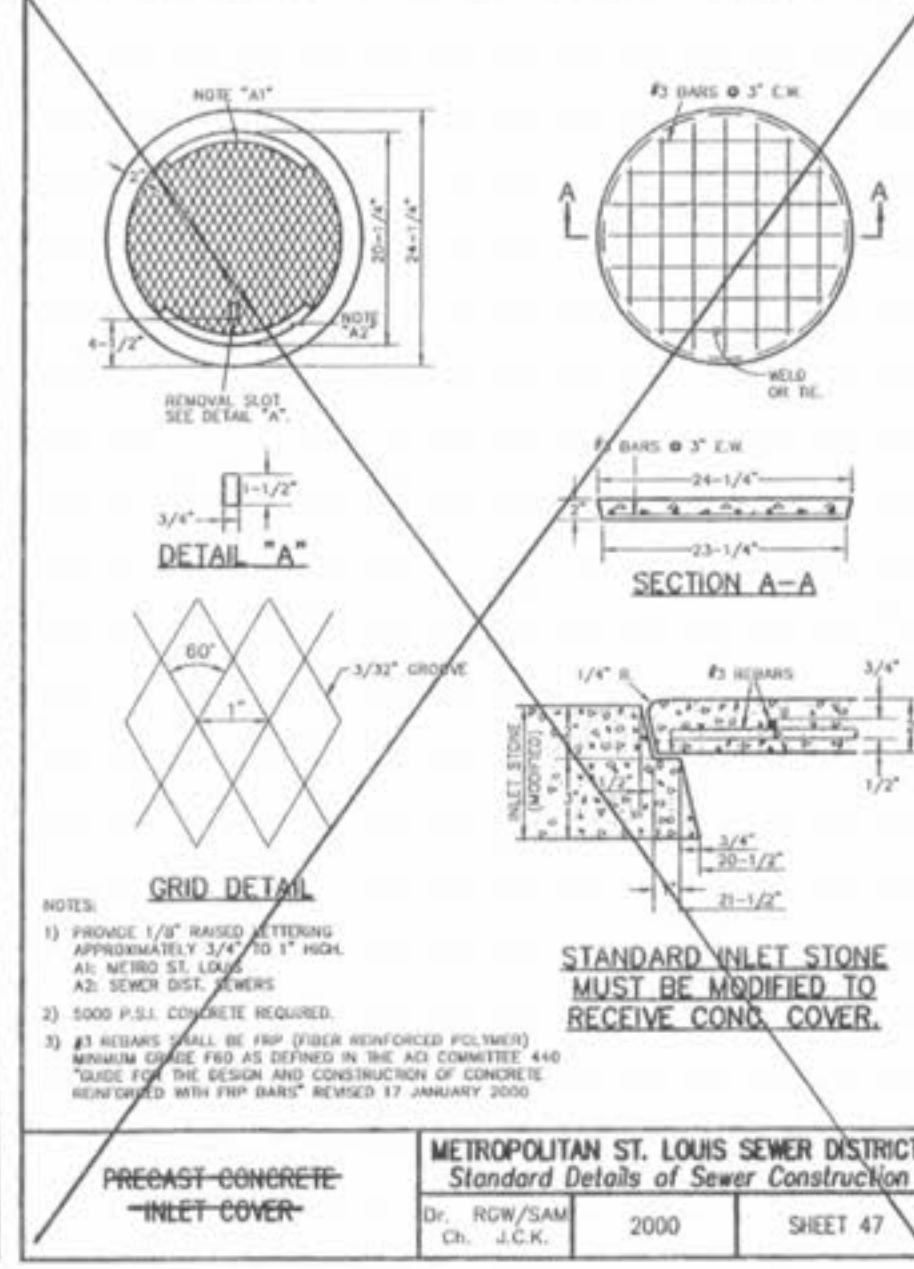
PRECAST CONCRETE UNIT 'A' FOR STREET DOUBLE INLET METROPOLITAN ST. LOUIS SEWER DISTRICT Standard Details of Sewer Construction Dr. RGM/SAM Ch. J.C.K. 2000 SHEET 43



PRECAST CONCRETE UNIT 'B' FOR STREET DOUBLE INLET METROPOLITAN ST. LOUIS SEWER DISTRICT Standard Details of Sewer Construction Dr. RGM/SAM Ch. J.C.K. 2000 SHEET 44



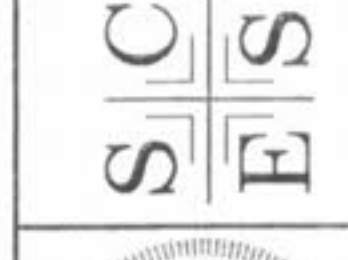
STANDARD - INLET STONES, BLOCKS & DESIGN DETAILS METROPOLITAN ST. LOUIS SEWER DISTRICT Standard Details of Sewer Construction Dr. WSH/SAM Ch. J.C.K. 2000 SHEET 45



PRECAST CONCRETE INLET COVER METROPOLITAN ST. LOUIS SEWER DISTRICT Standard Details of Sewer Construction Dr. RGM/SAM Ch. J.C.K. 2000 SHEET 47

MAGNOLIA STORM 2 DETAILS

ST. CHARLES ENGINEERING & SURVEYING, INC.
801 S. FIFTH STREET, SUITE 202
ST. CHARLES, MO 63301
TEL: (636) 947-0607 FAX: (636) 947-2448



ORDER NO. 03-0498
DATE 12/1/03
D-4