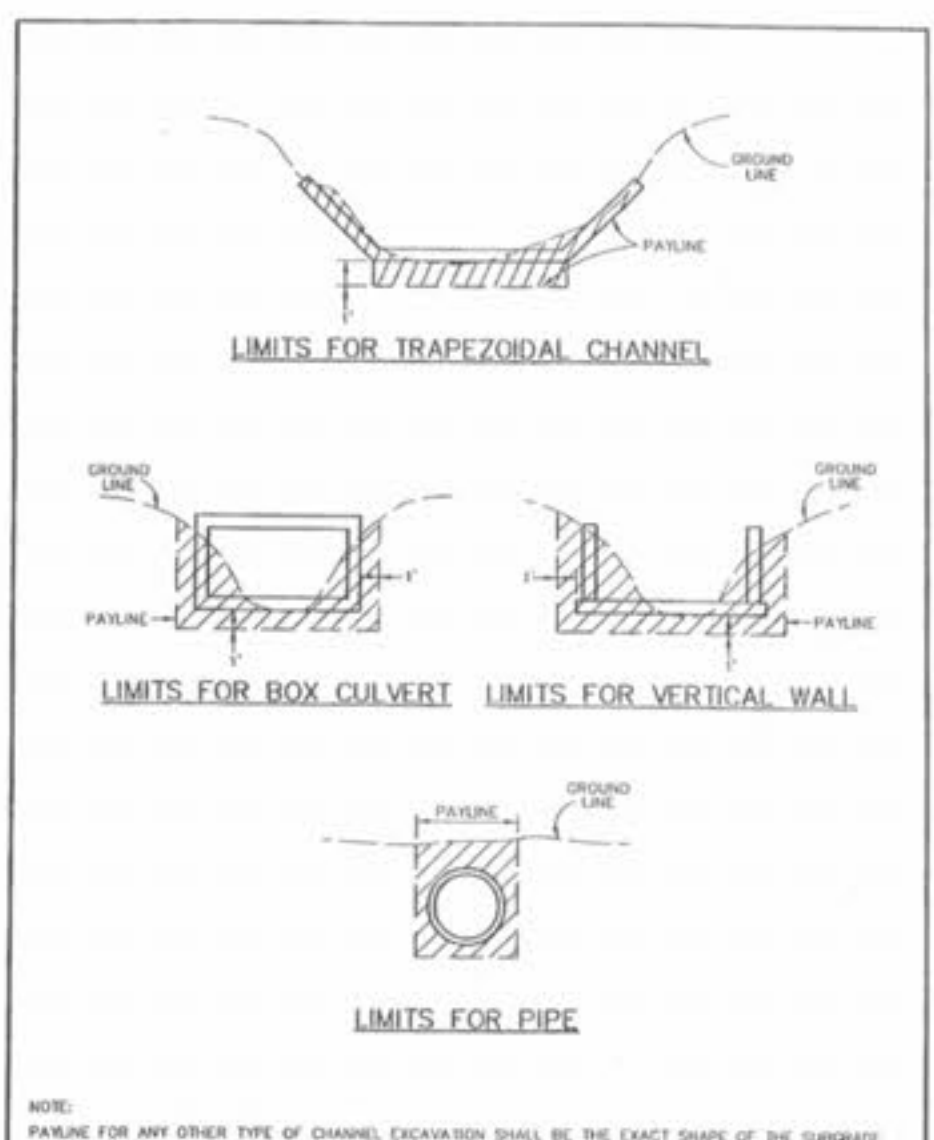
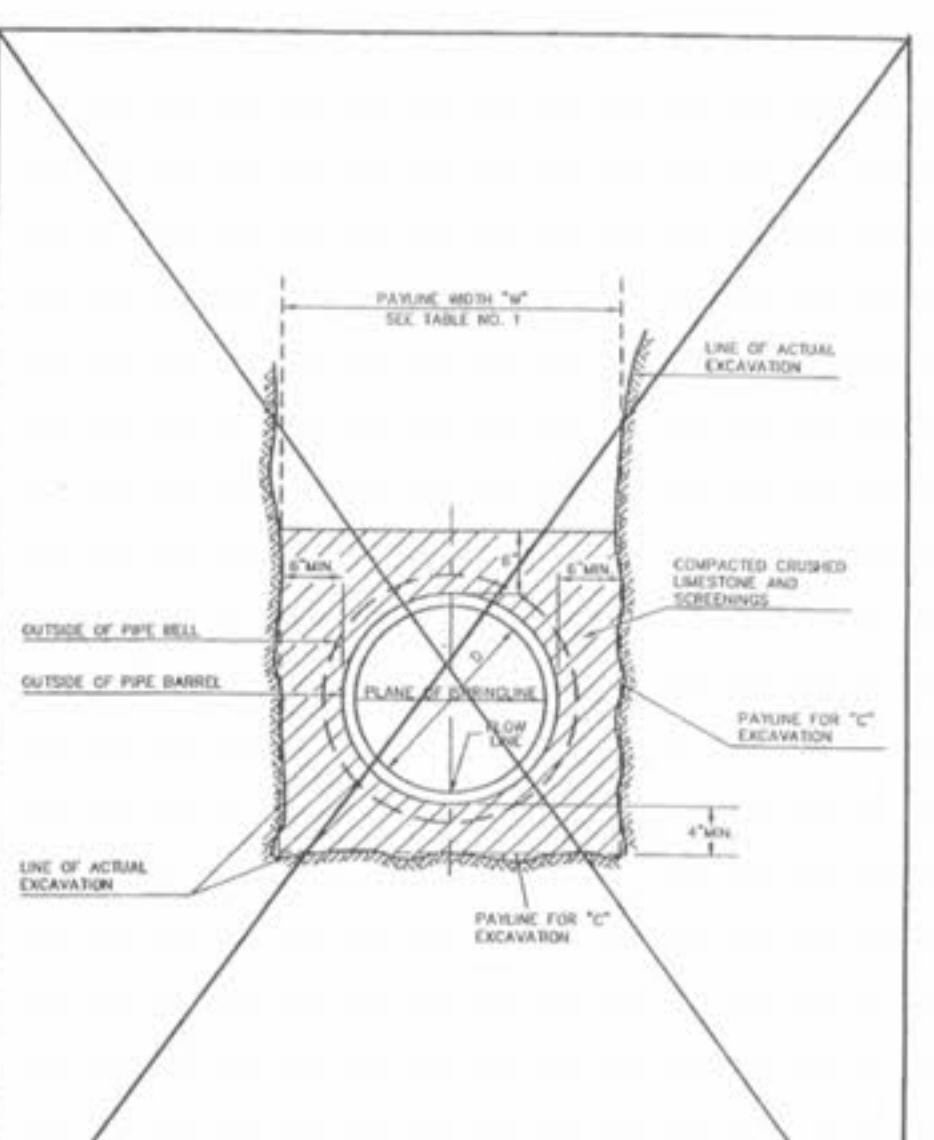


ROUND PIPE				HORIZONTAL ELLIPTICAL PIPE			
INSIDE DIAMETER OF PIPE (INCHES)	"W" PAYLINE WIDTHS OF TRENCH (INCHES)	"W" PAYLINE WIDTHS OF TRENCH (FEET)	PAY-MANHOLES (DI. PER FT.)	INSIDE DIMENSIONS OF PIPE (INCHES)	"W" PAYLINE WIDTHS OF TRENCH (INCHES)	"W" PAYLINE WIDTHS OF TRENCH (FEET)	PAY-MANHOLES (DI. PER FT.)
4	30	2.50	3.18				
6	30	2.50	3.18				
8	30	2.50	3.18				
10	30	2.50	3.18				
12	30	2.50	3.18				
15	36	3.00	3.55				
18	36	3.00	3.55	14 x 23	41	3.42	5.94
21	39	3.25	3.81				
24	42	3.50	4.07				
27	45	3.75	4.33	19 x 30	49	4.08	7.48
30	49	4.08	4.69	22 x 34	53	4.42	8.61
33	53	4.42	5.03	24 x 38	58	4.83	9.30
36	56	4.67	5.29	27 x 42	62	5.17	10.71
39	59	4.92	5.55	29 x 45	66	5.50	11.72
42	63	5.25	5.92	32 x 49	71	5.92	13.14
45	66	5.63	6.28	34 x 53	75	6.25	14.05
48	70	6.00	6.64	36 x 56	80	6.67	14.18
51	74	6.38	7.00	43 x 68	92	7.67	18.81
54	77	6.75	7.36	45 x 72	100	8.42	21.59
60	84	7.50	8.12	48 x 78	108	9.00	24.35
66	91	8.25	8.88	53 x 83	120	10.00	28.35
72	98	9.00	9.64	58 x 91	132	11.00	32.45
78	105	9.75	10.40	63 x 98	144	12.00	36.55
84	112	10.50	11.16	68 x 108	156	13.00	40.65
90	119	11.25	11.92	72 x 113	163	13.92	44.45
96	126	12.00	12.68	77 x 121	172	14.83	48.25
102	133	12.75	13.44	82 x 128	180	15.75	52.05
108	140	13.50	14.20	87 x 136	188	16.67	55.85
114	147	14.25	14.96	92 x 143	196	17.58	59.65
120	154	15.00	15.72	97 x 151	204	18.50	63.45
126	161	15.75	16.48	102 x 158	212	19.42	67.25
132	168	16.50	17.24	106 x 166	220	20.33	71.05
144	180	18.00	18.75	116 x 180	238	22.25	78.85

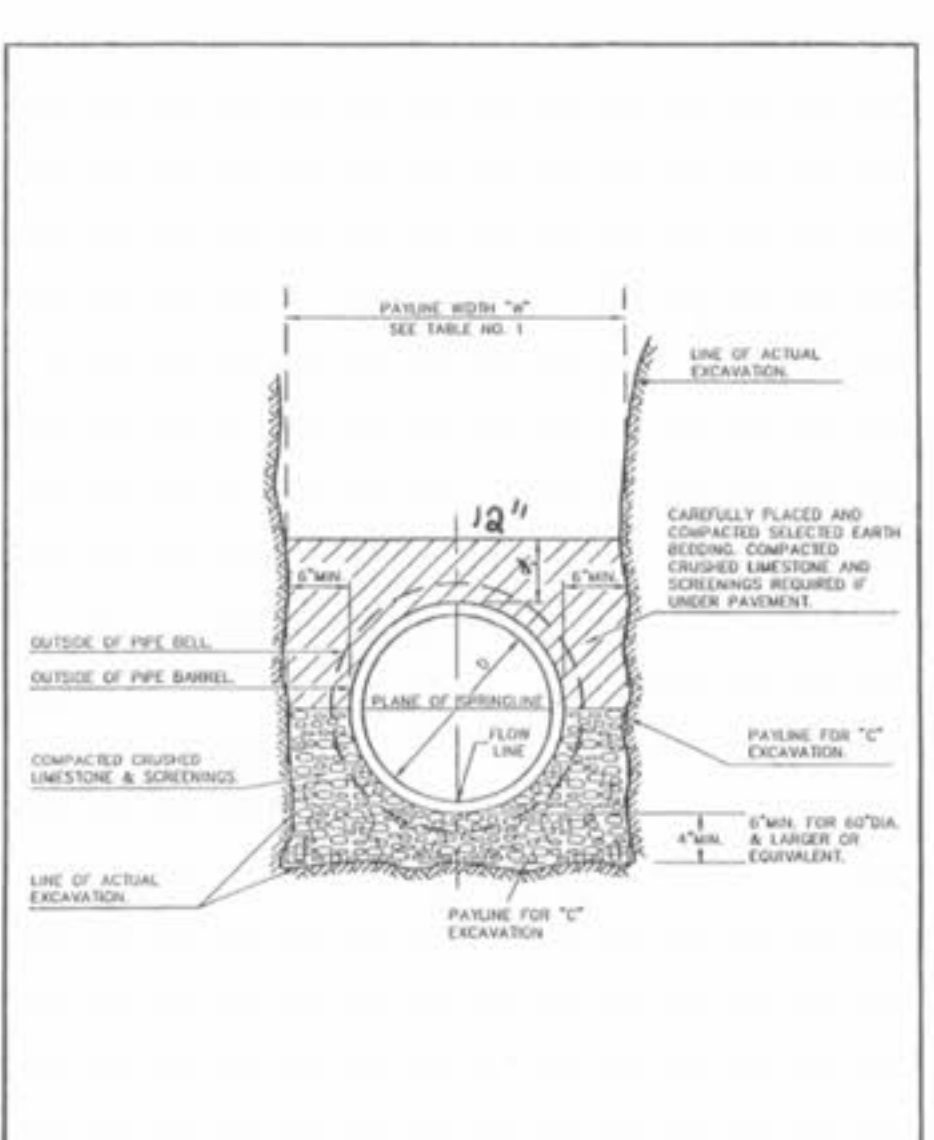
TABLE 1
PAYLINE WIDTHS OF TRENCH AND PAY-QUANTITIES OF CONCRETE
METROPOLITAN ST. LOUIS SEWER DISTRICT
Standard Details of Sewer Construction
Dr. B.E.B. 2000 SHEET 1
Ch. J.C.K.



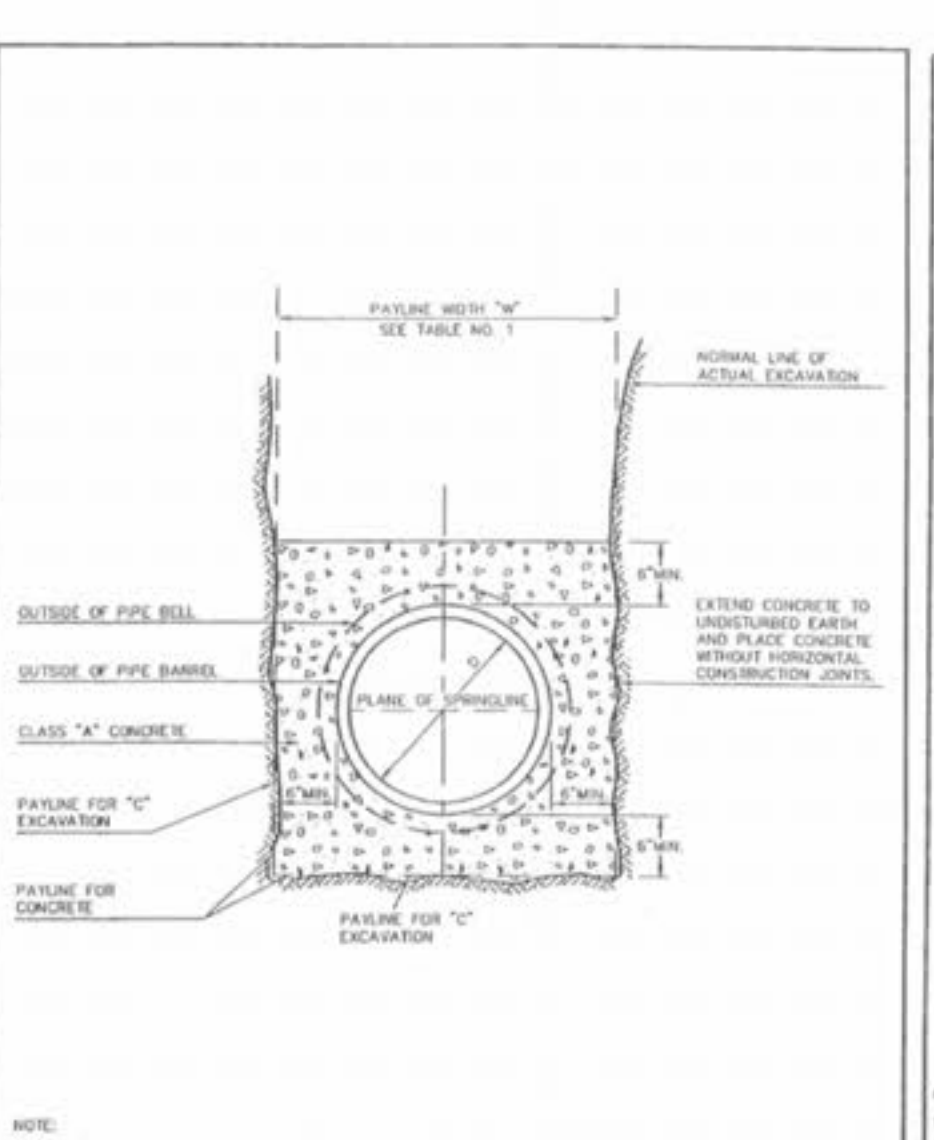
PAYLINE LIMITS FOR EXCAVATION
METROPOLITAN ST. LOUIS SEWER DISTRICT
Standard Details of Sewer Construction
Dr. W.S.H. 2000 SHEET 2
Ch. J.C.K.



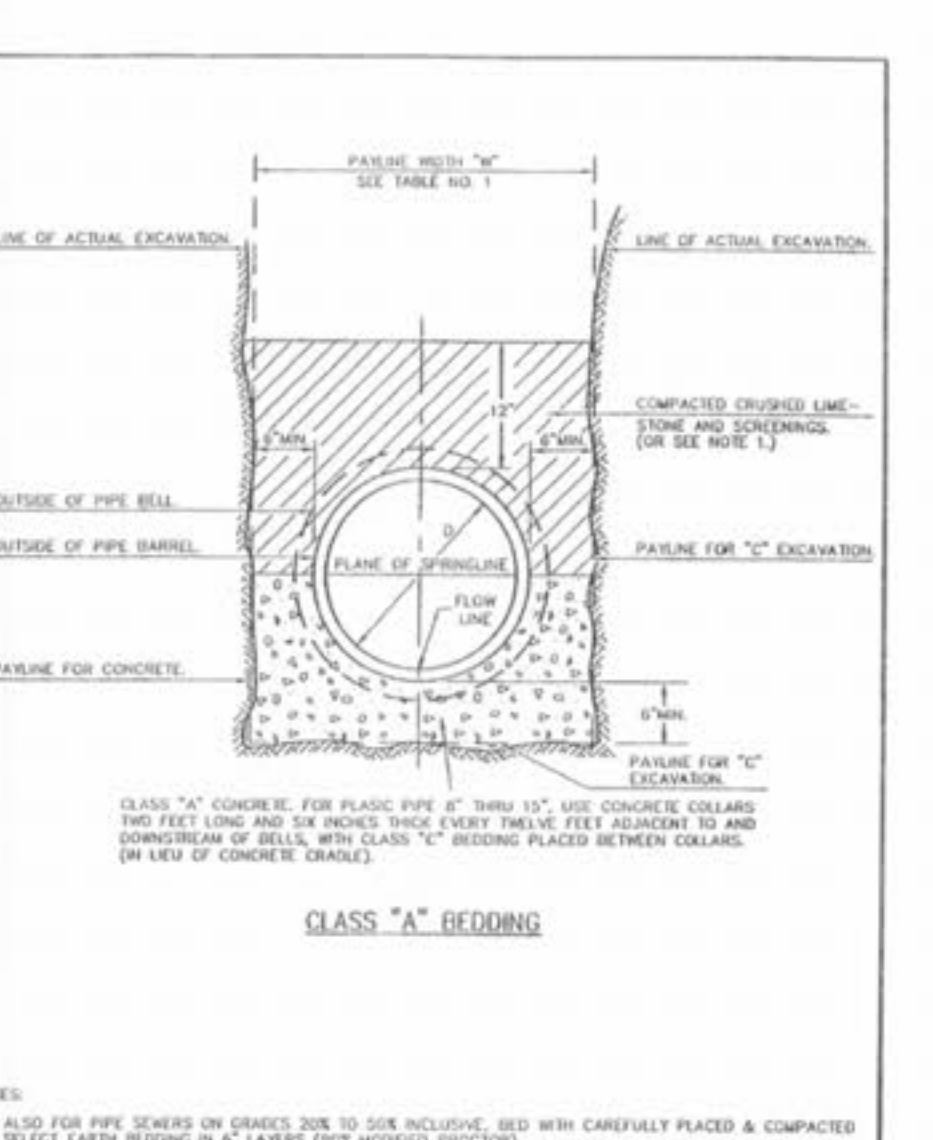
PIPE BEDDING CLASS "C"
(FOR ALL PIPE EXCEPT REINFORCED CONCRETE PIPE)
METROPOLITAN ST. LOUIS SEWER DISTRICT
Standard Details of Sewer Construction
Dr. W.S.H. 2000 SHEET 4
Ch. J.C.K.



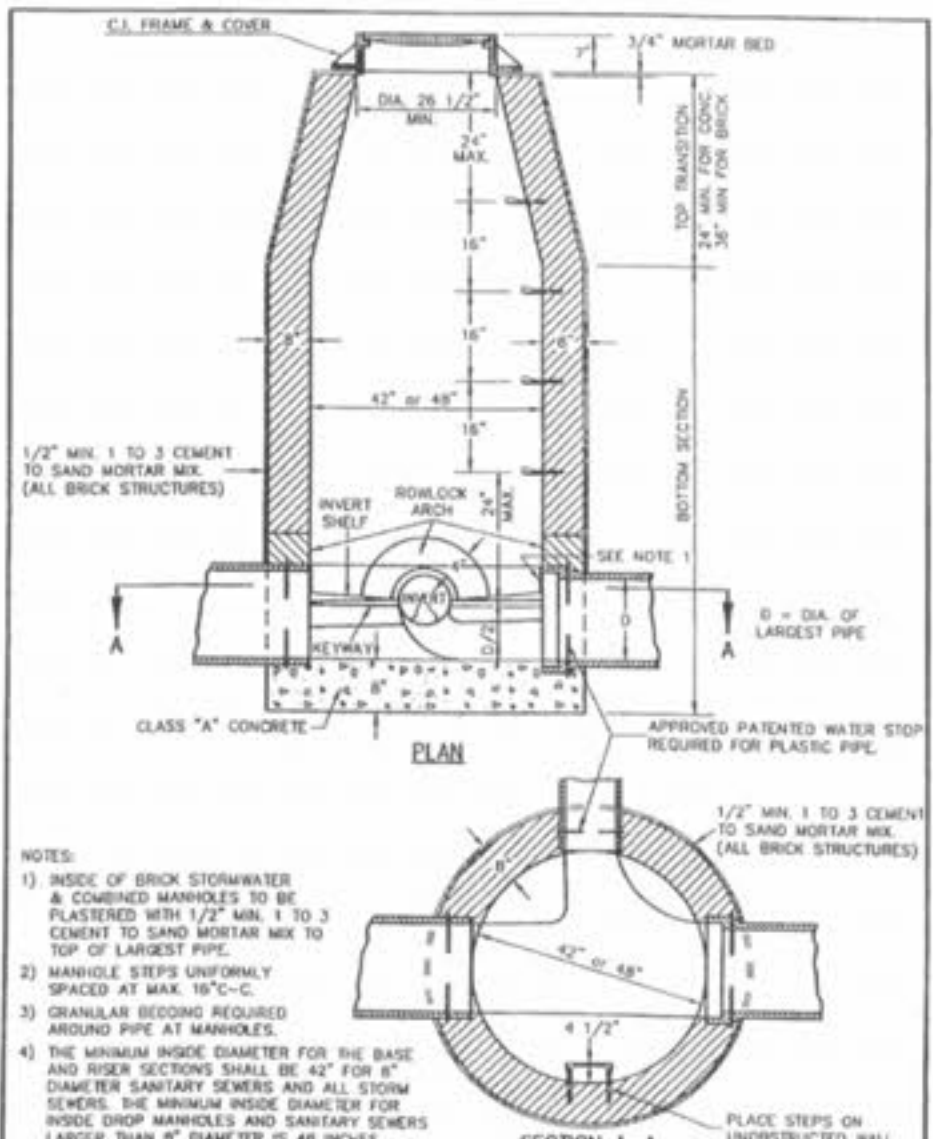
PIPE BEDDING CLASS "C"
(MODIFIED FOR REINFORCED CONCRETE PIPE)
METROPOLITAN ST. LOUIS SEWER DISTRICT
Standard Details of Sewer Construction
Dr. W.S.H. 2000 SHEET 5
Ch. J.C.K.



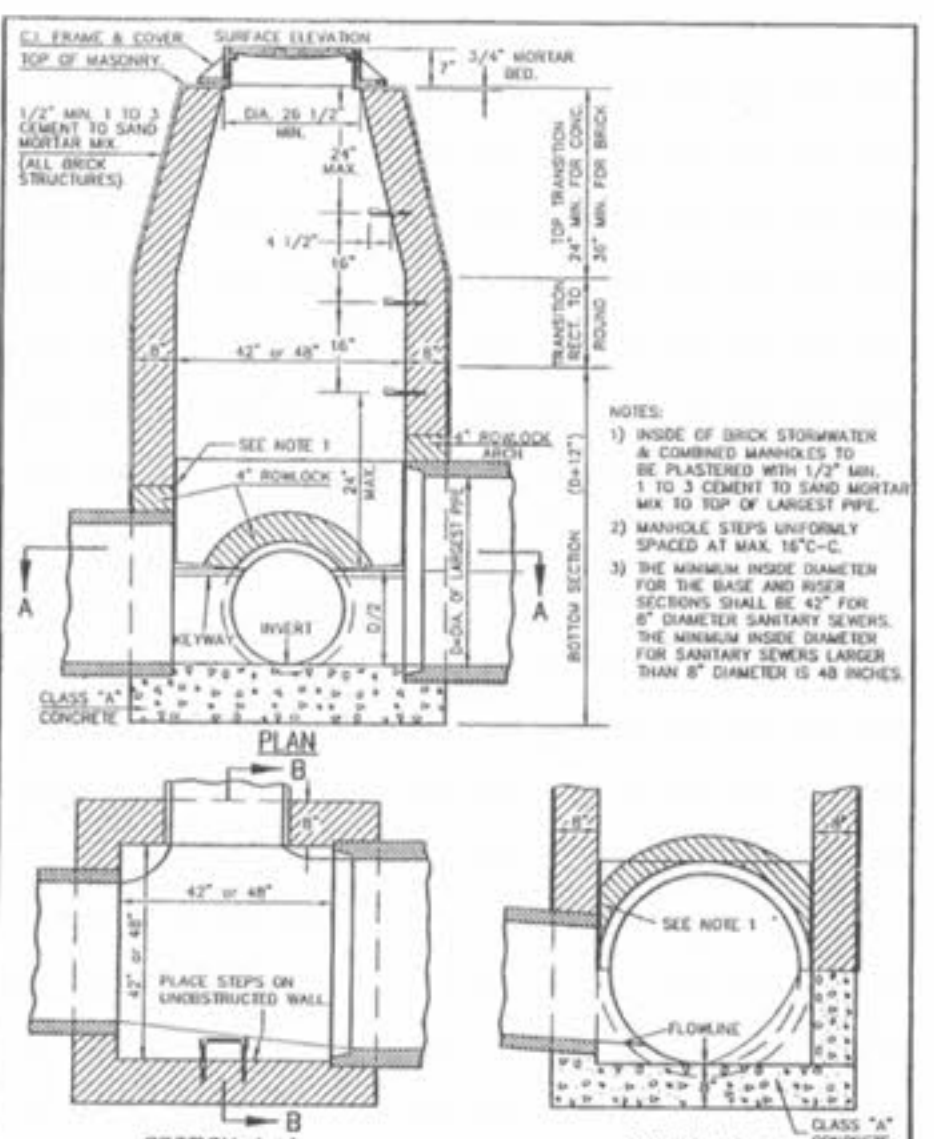
CONCRETE ENCASEMENT
METROPOLITAN ST. LOUIS SEWER DISTRICT
Standard Details of Sewer Construction
Dr. W.S.H. 2000 SHEET 8
Ch. J.C.K.



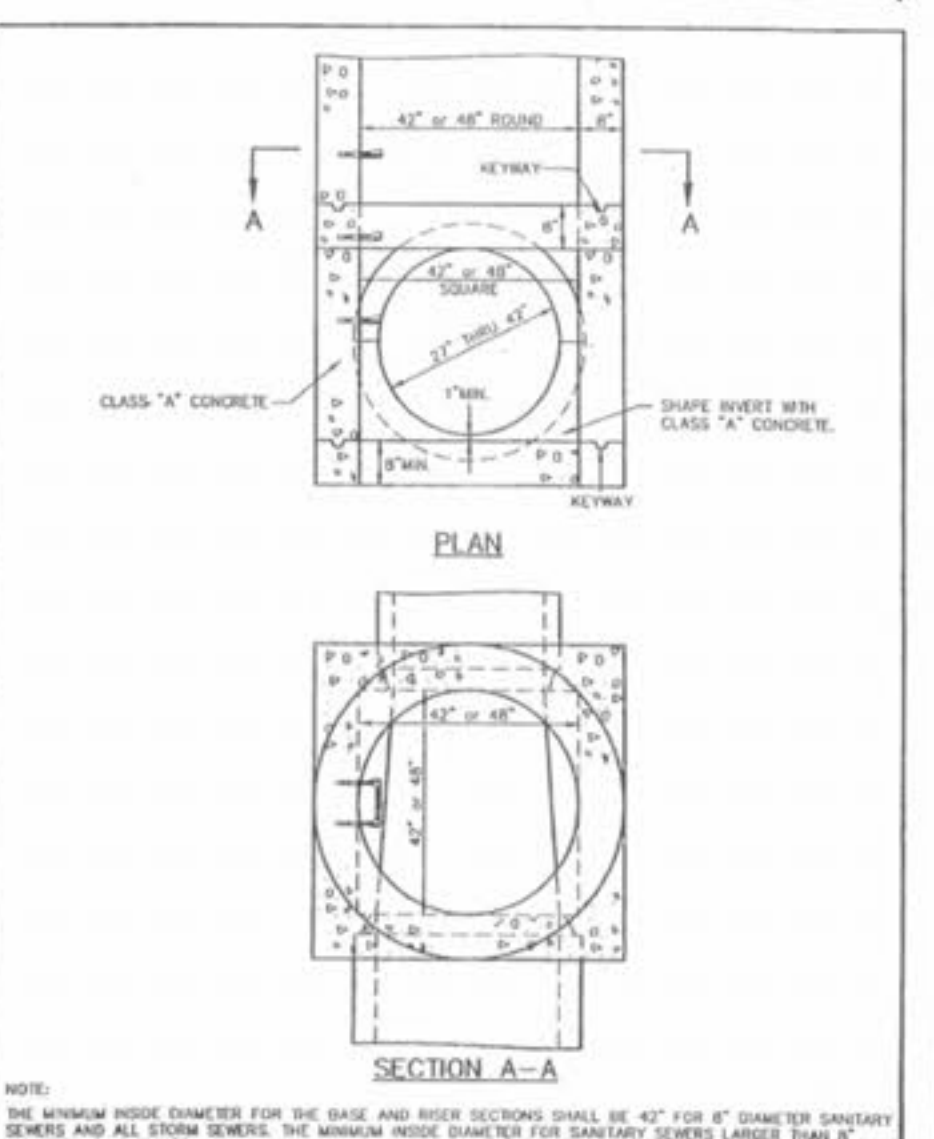
CONCRETE CRADLE
METROPOLITAN ST. LOUIS SEWER DISTRICT
Standard Details of Sewer Construction
Dr. W.S.H. 2000 SHEET 9
Ch. J.C.K.



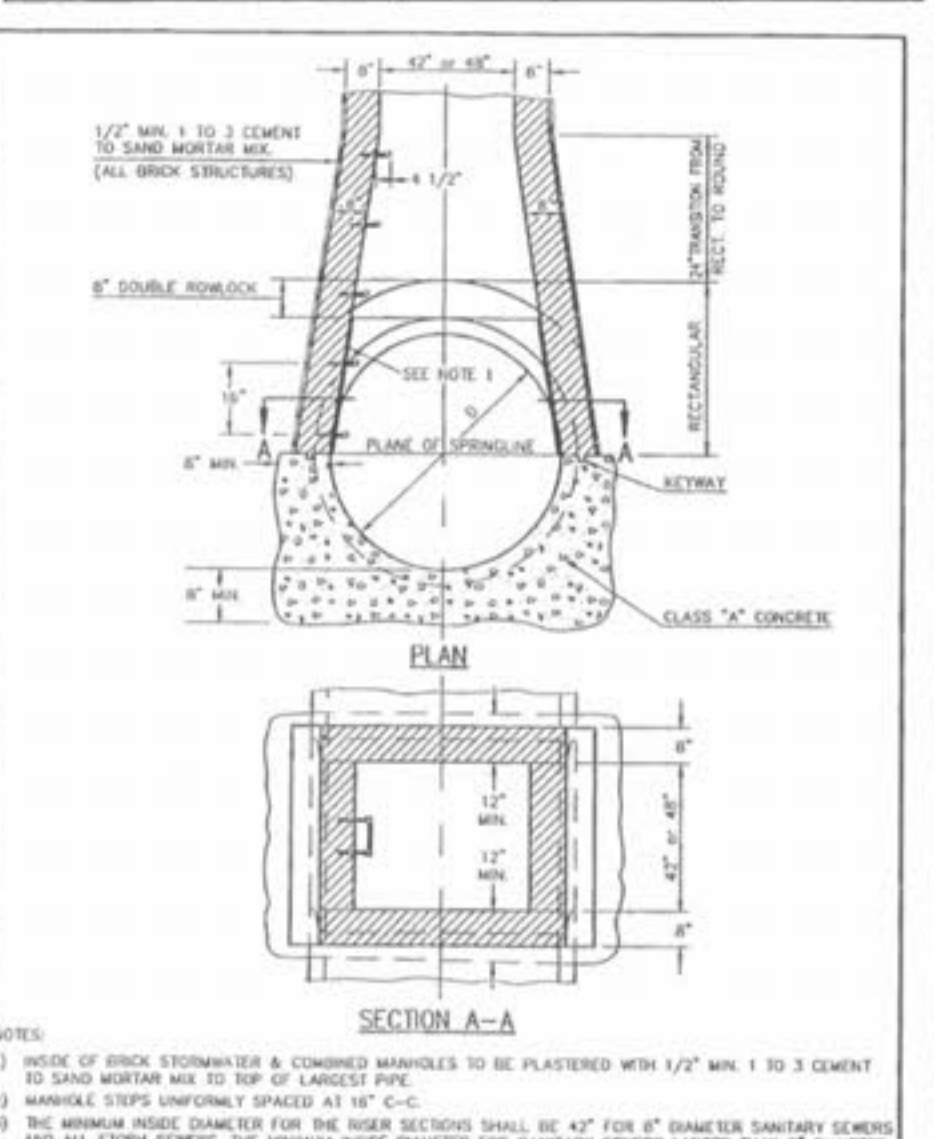
LINE MANHOLE PIPE SEWERS 24" DIA.
METROPOLITAN ST. LOUIS SEWER DISTRICT
Standard Details of Sewer Construction
Dr. W.S.H. 2000 SHEET 10
Ch. J.C.K.



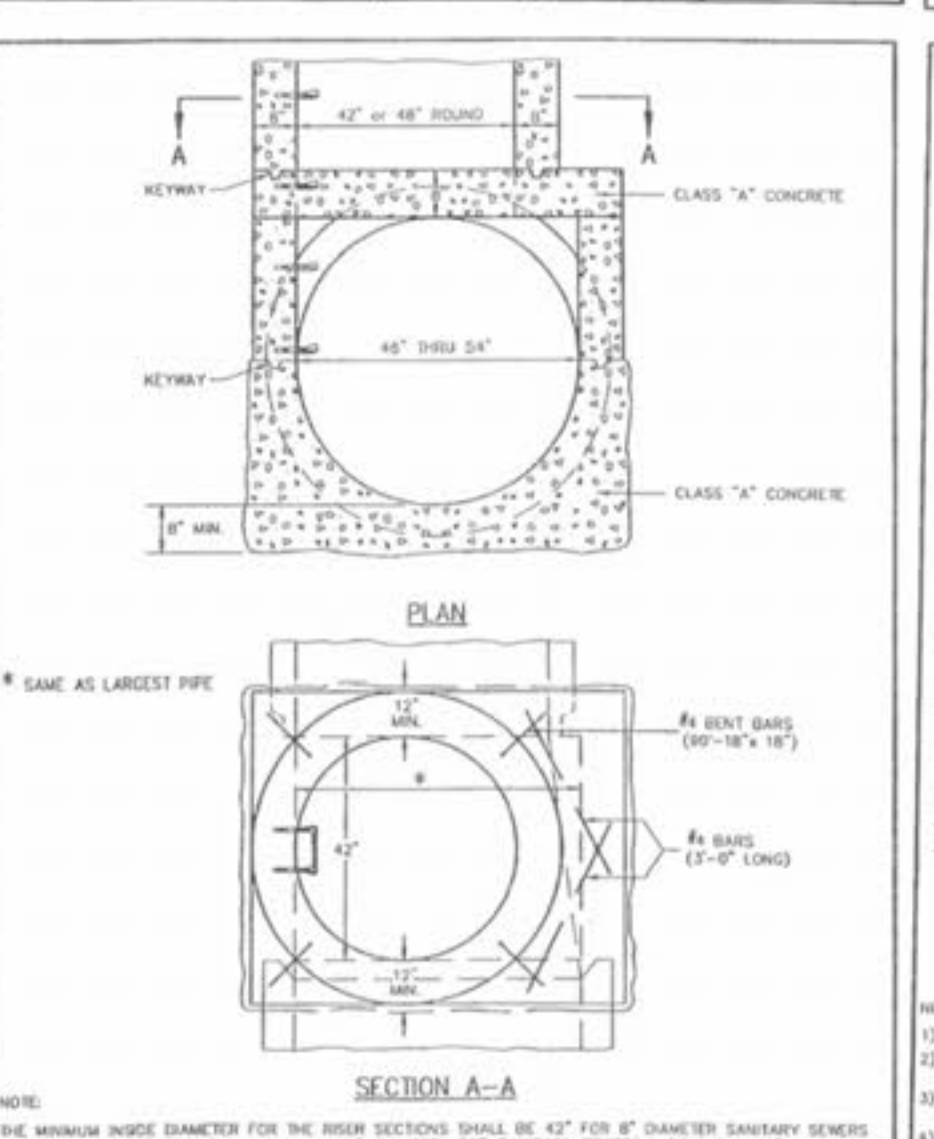
TYPICAL LINE MANHOLE ON PIPE SEWER 27" THRU 42" IN DIAMETER
METROPOLITAN ST. LOUIS SEWER DISTRICT
Standard Details of Sewer Construction
Dr. W.S.H. 2000 SHEET 11
Ch. J.C.K.



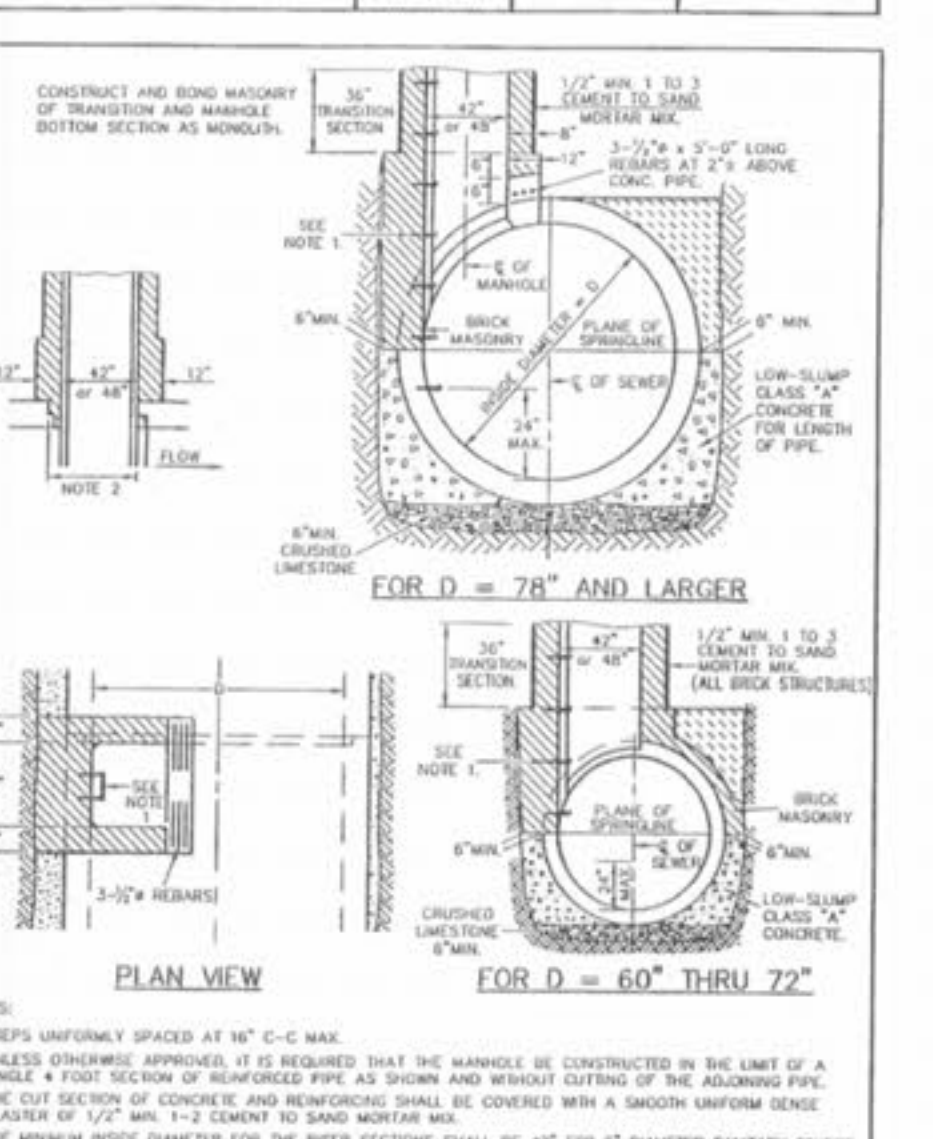
MANHOLE ON PIPE SEWER 27" THRU 42" (ALTERNATE)
METROPOLITAN ST. LOUIS SEWER DISTRICT
Standard Details of Sewer Construction
Dr. W.S.H. 2000 SHEET 12
Ch. J.C.K.



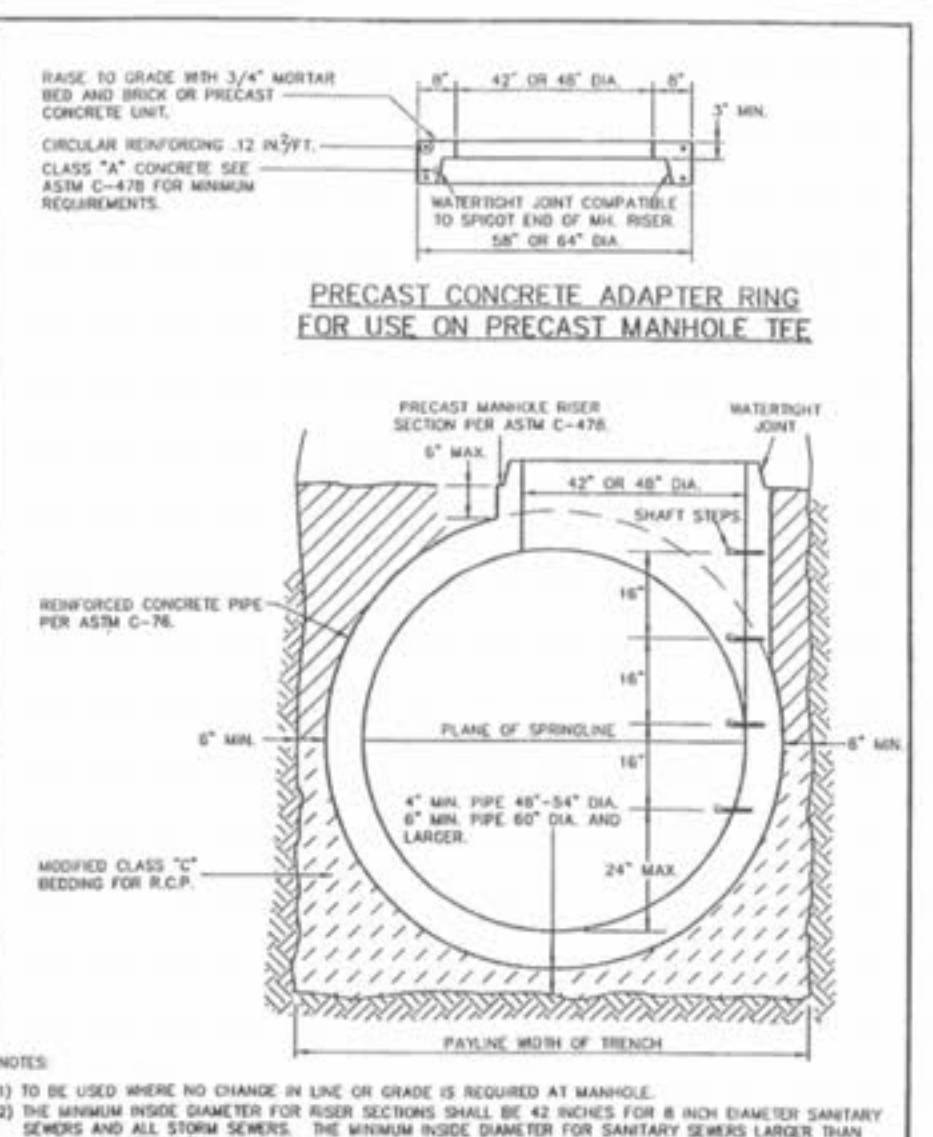
MANHOLE ON CONCRETE PIPE SEWERS 48" THRU 54" DIAMETER
METROPOLITAN ST. LOUIS SEWER DISTRICT
Standard Details of Sewer Construction
Dr. W.S.H. 2000 SHEET 13
Ch. J.C.K.



MANHOLE ON CONC. PIPE 48" THRU 54" (ALTERNATE)
METROPOLITAN ST. LOUIS SEWER DISTRICT
Standard Details of Sewer Construction
Dr. W.S.H. 2000 SHEET 14
Ch. J.C.K.



TYPICAL MANHOLE BASE REINFORCED CONCRETE PIPE SEWERS 60" AND LARGER IN DIAMETER
METROPOLITAN ST. LOUIS SEWER DISTRICT
Standard Details of Sewer Construction
Dr. W.S.H. 2000 SHEET 15
Ch. J.C.K.



TYPICAL PRECAST MANHOLE TEE FOR REINFORCED CONCRETE PIPE SEWERS 48 INCH AND LARGER IN DIAMETER
METROPOLITAN ST. LOUIS SEWER DISTRICT
Standard Details of Sewer Construction
Dr. W.S.H. 2000 SHEET 24
Ch. J.C.K.

MAGNOLIA
STORM DETAILS 3

ST. CHARLES ENGINEERING & SURVEYING, INC.
801 S. FIFTH STREET, SUITE 202
ST. CHARLES, MO 63301
TEL: (636) 947-0607 FAX: (636) 947-2445



ORDER NO. 03-0498
DATE 12/1/03
D-5