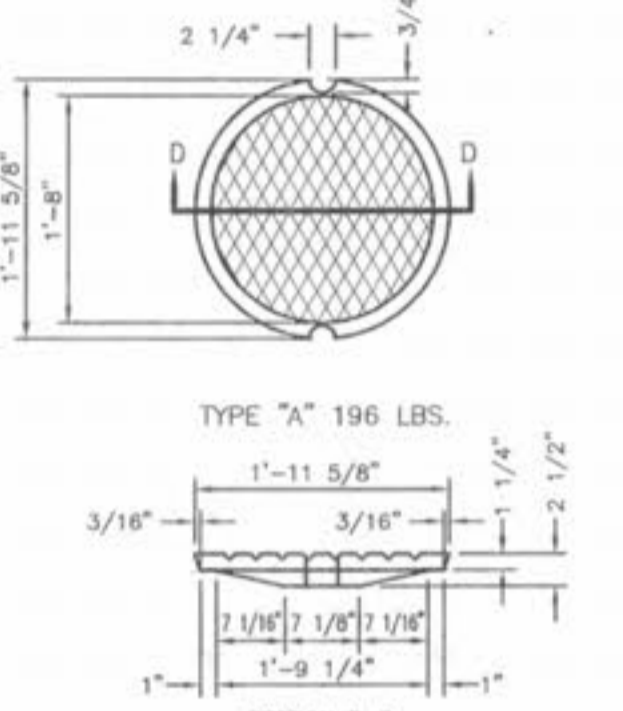
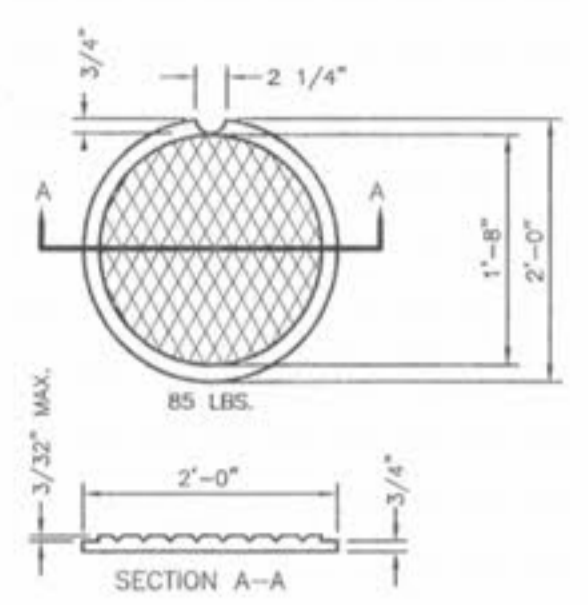


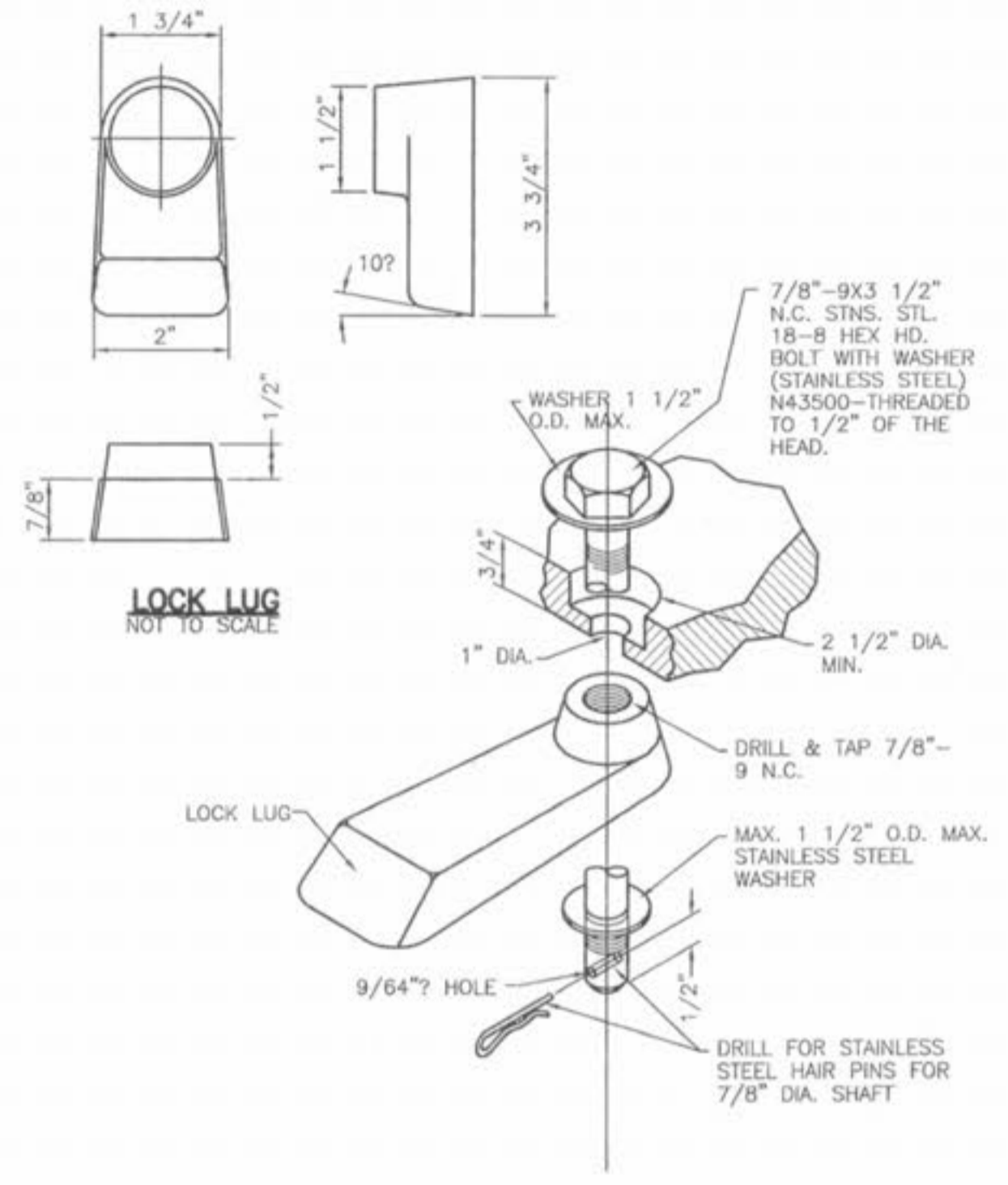
**CAST IRON MANHOLE COVERS (LOCK TYPE)**



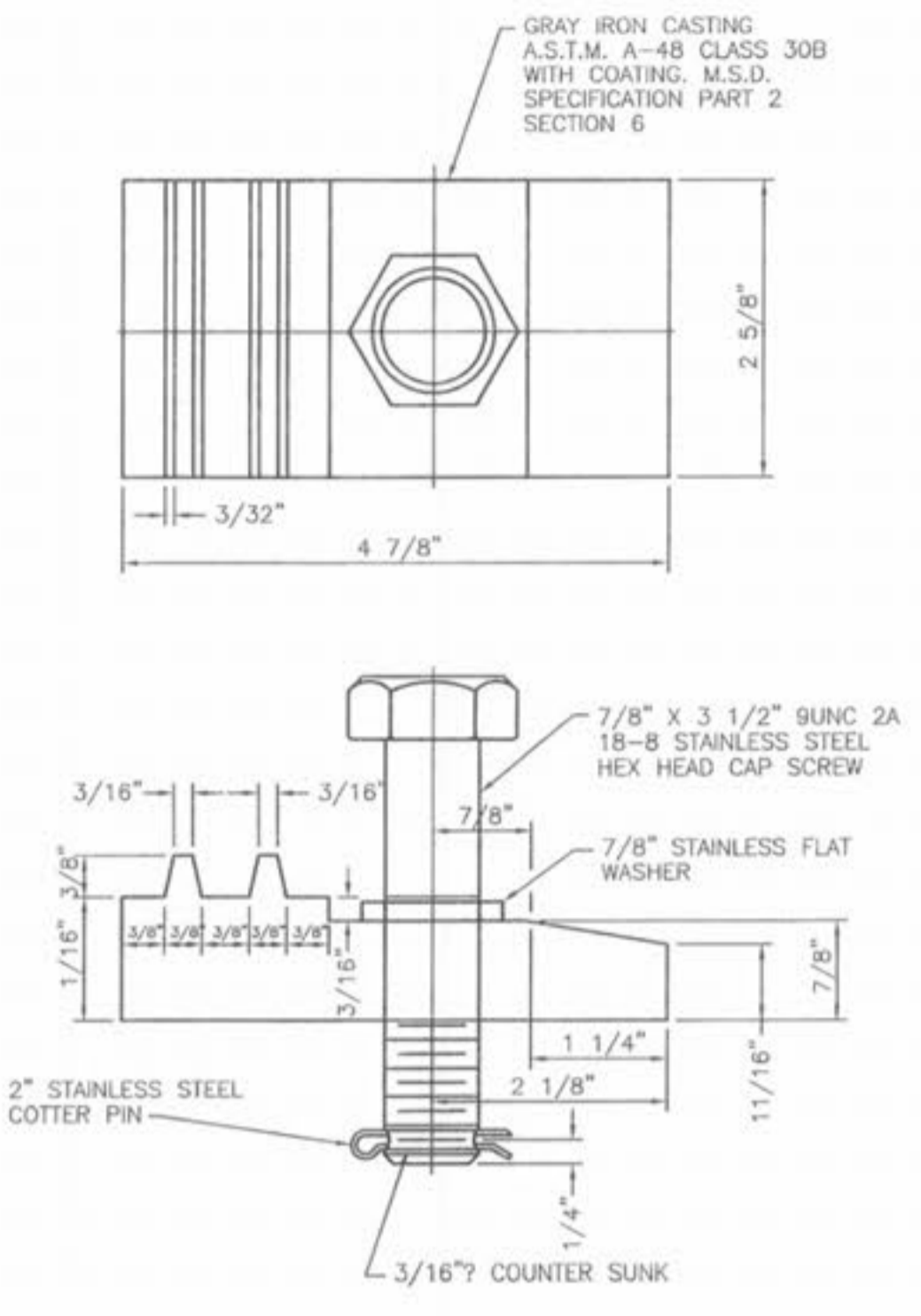
**PLAN OF CLOSED-TYPE COVER CAST IRON COVERS MANHOLES AND INLETS**

NOTE A: MACHINE CONTACTING SURFACES FOR SEAT OF STANDARD MANHOLE FRAME AND BEARING SURFACE OF COVERS.

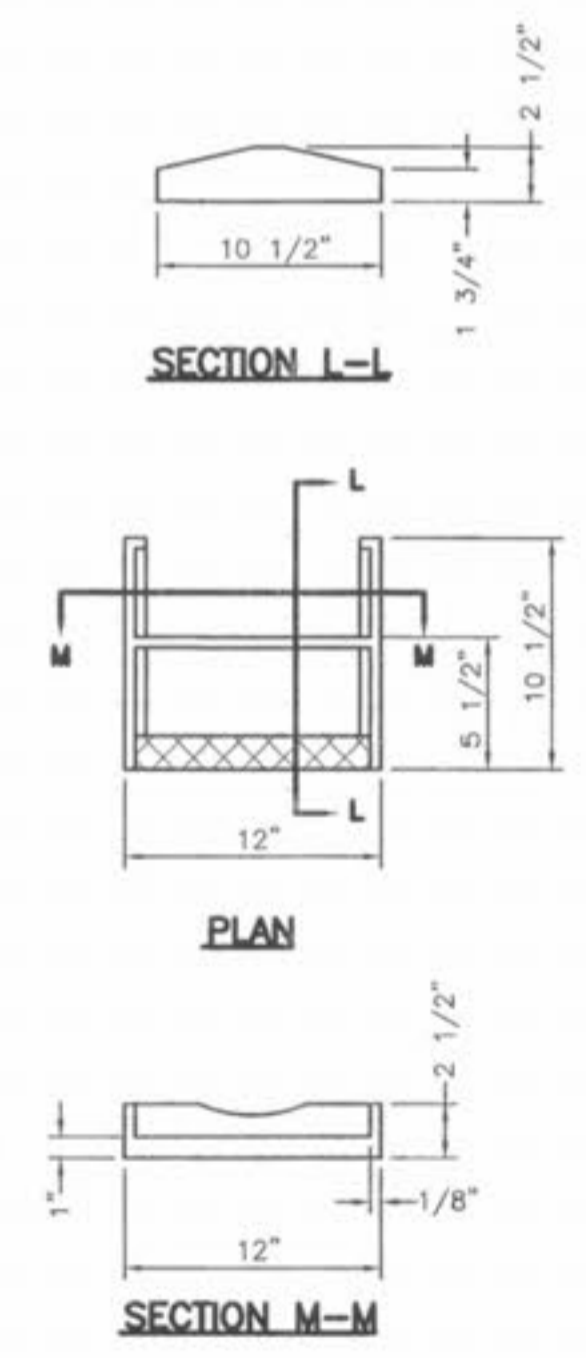
NOTE B: PROVIDE 1/8" RAISED LETTERING APPROXIMATELY 3/4" TO 1" HIGH.



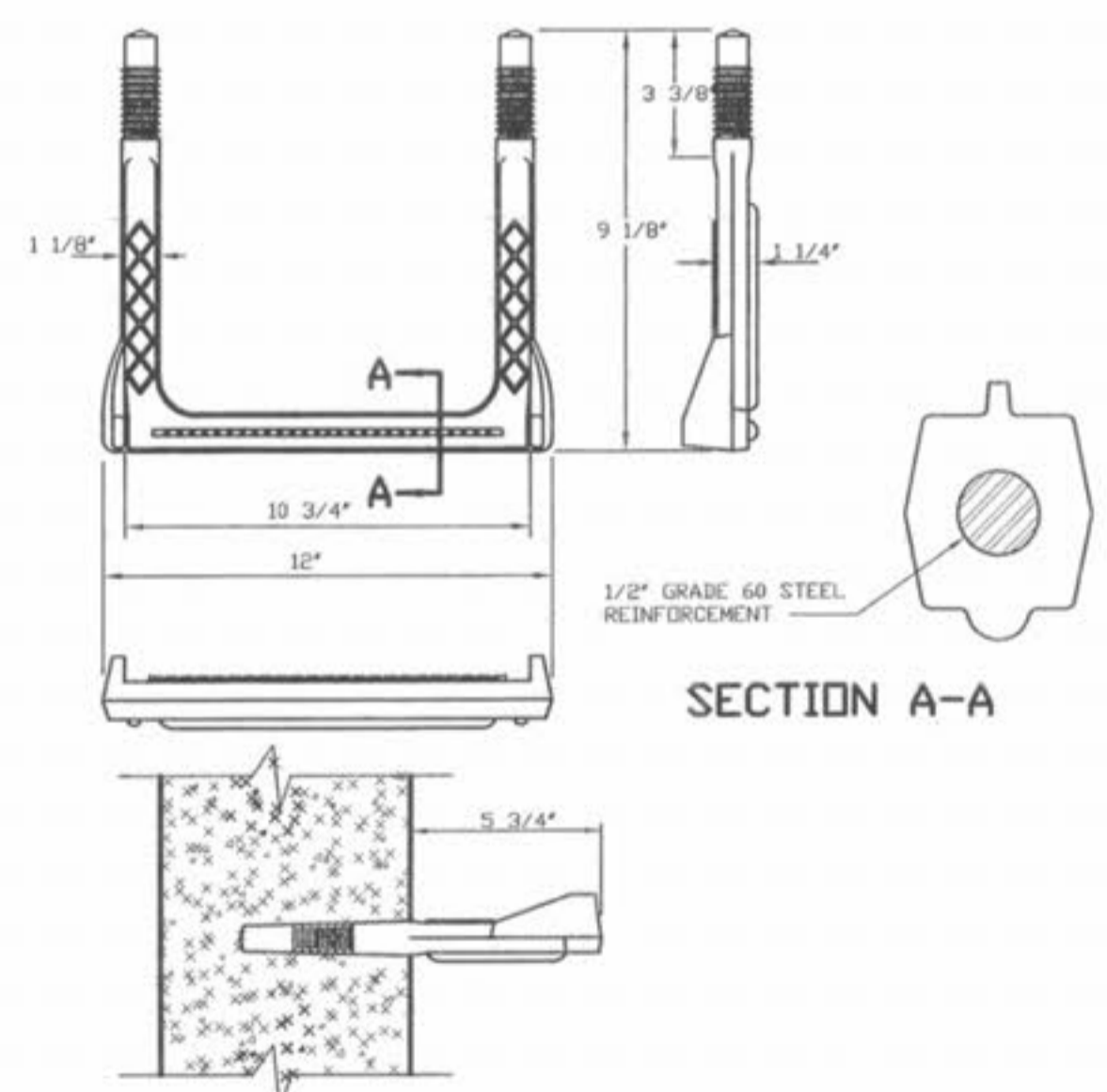
**LOCKING DEVICE FOR TYPE 'N' LOCK TYPE MANHOLE COVER**



**LOCKING DEVICE FOR TYPE 'T' LOCK TYPE MANHOLE COVER**



**CAST IRON MANHOLE STEPS**



**COPOLYMER POLYPROPYLENE PLASTIC MANHOLE STEP FOR PRECAST MANHOLE**

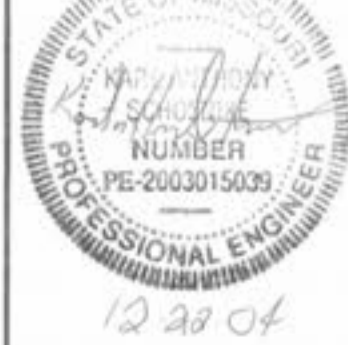
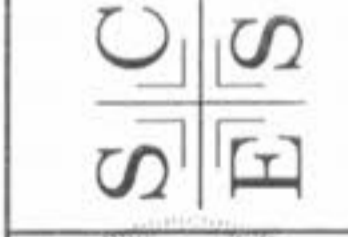
CITY OF O'FALLON  
DEPARTMENT OF PUBLIC  
WORKS DESIGN GROUP  
O'FALLON, MISSOURI



DISCLAIMER OF RESPONSIBILITY  
I HEREBY CERTIFY THAT THE INFORMATION CONTAINED  
HEREIN IS TRUE AND CORRECT TO THE BEST OF MY  
KNOWLEDGE AND BELIEF. I AM NOT PROVIDING ANY  
WARRANTY, EXPRESS OR IMPLIED, OR ASSUMING  
LIABILITY FOR ANY DAMAGE OR LOSS OF ANY KIND  
RESULTING FROM THE USE OF THIS INFORMATION OR  
FOR ANY ERRORS OR OMISSIONS IN THIS DOCUMENT.

DESIGNED: \_\_\_\_\_  
CHECKED: \_\_\_\_\_  
DATE: \_\_\_\_\_  
PROJECT NO.: \_\_\_\_\_  
SHEET \_\_\_\_\_  
OF \_\_\_\_\_

ST. CHARLES ENGINEERING & SURVEYING, INC.  
801 S. FIFTH STREET, SUITE 202  
ST. CHARLES, MO 63301  
TEL: (636) 947-0607 FAX: (636) 947-2448



ORDER NO. 03-0498  
DATE 12/1/03  
D7

MAGNOLIA  
SANITARY DETAILS 2