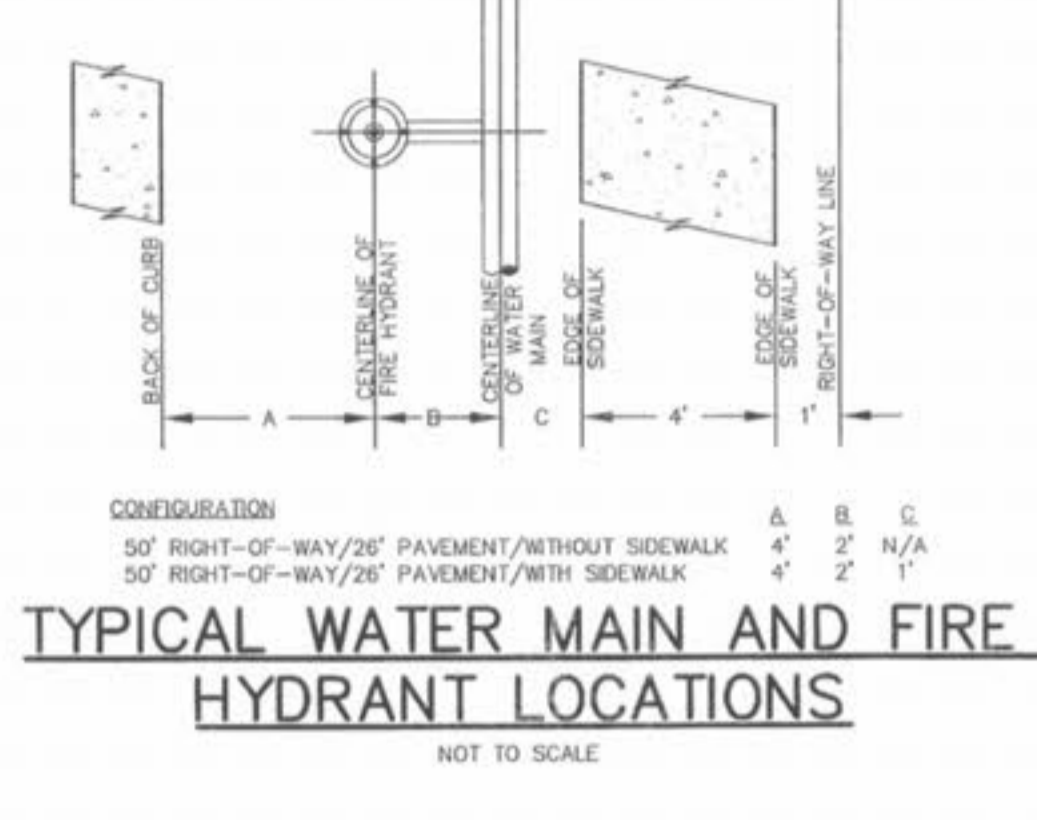
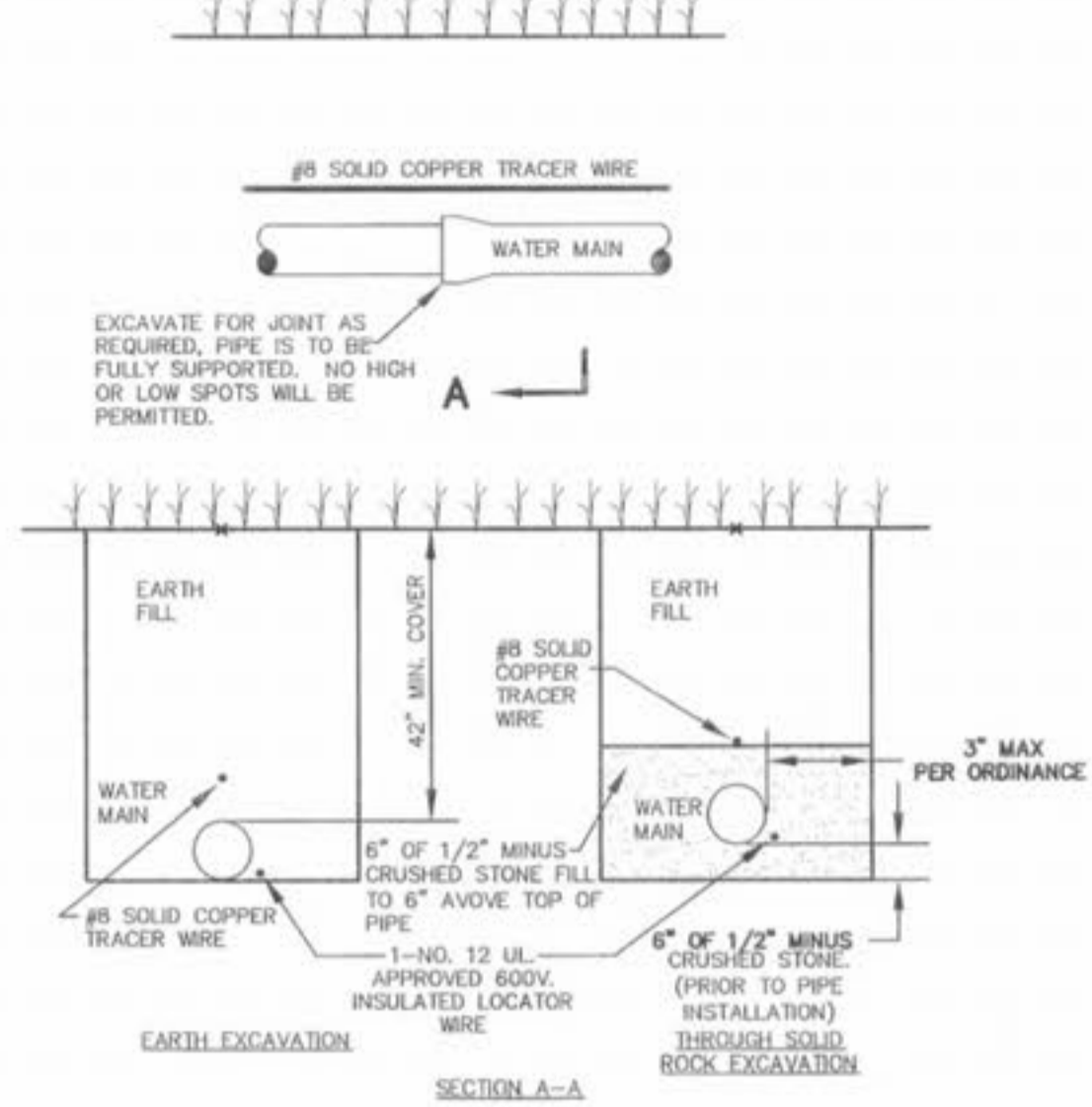


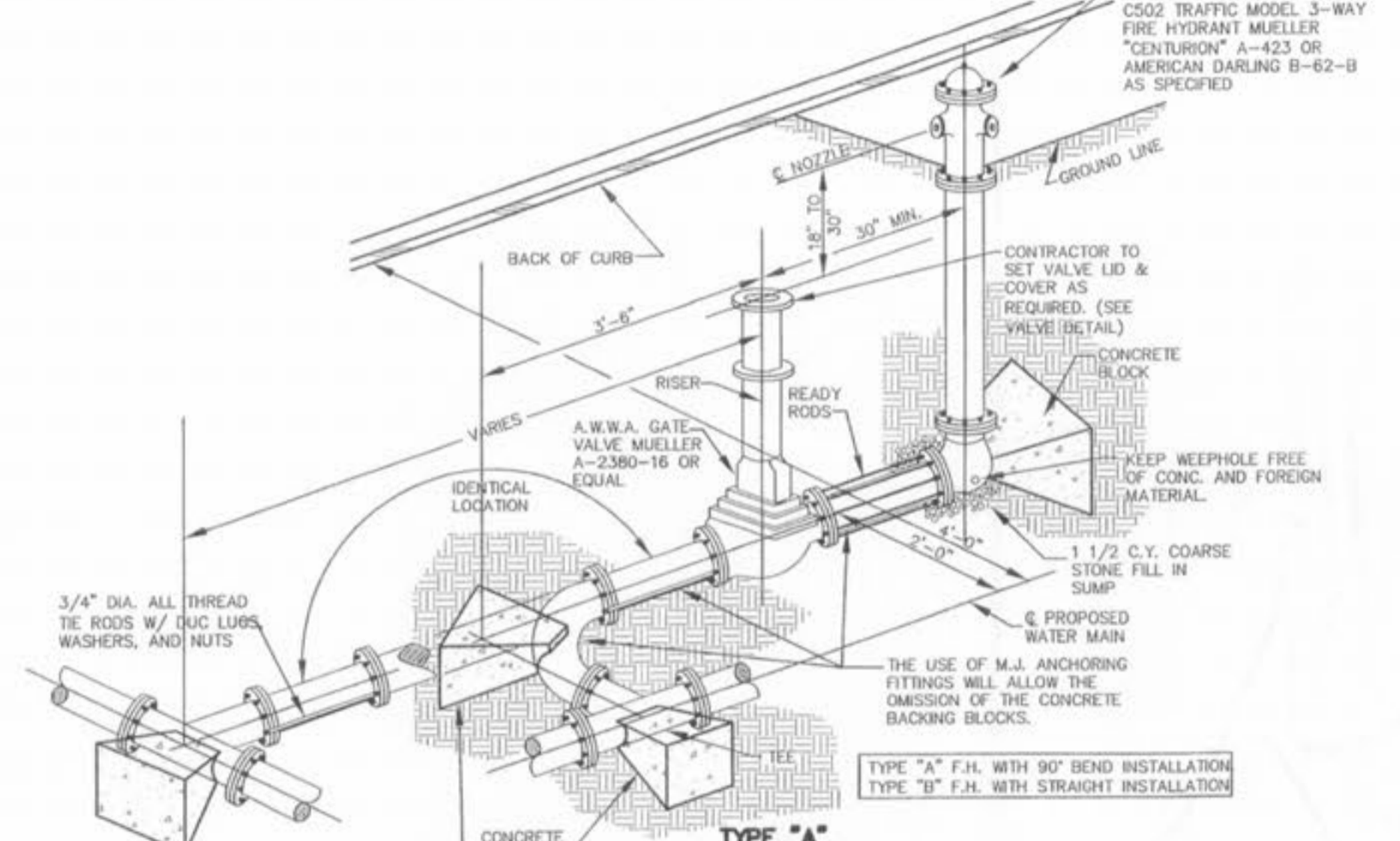
**FLUSHING HYDRANT DETAIL**  
NOT TO SCALE



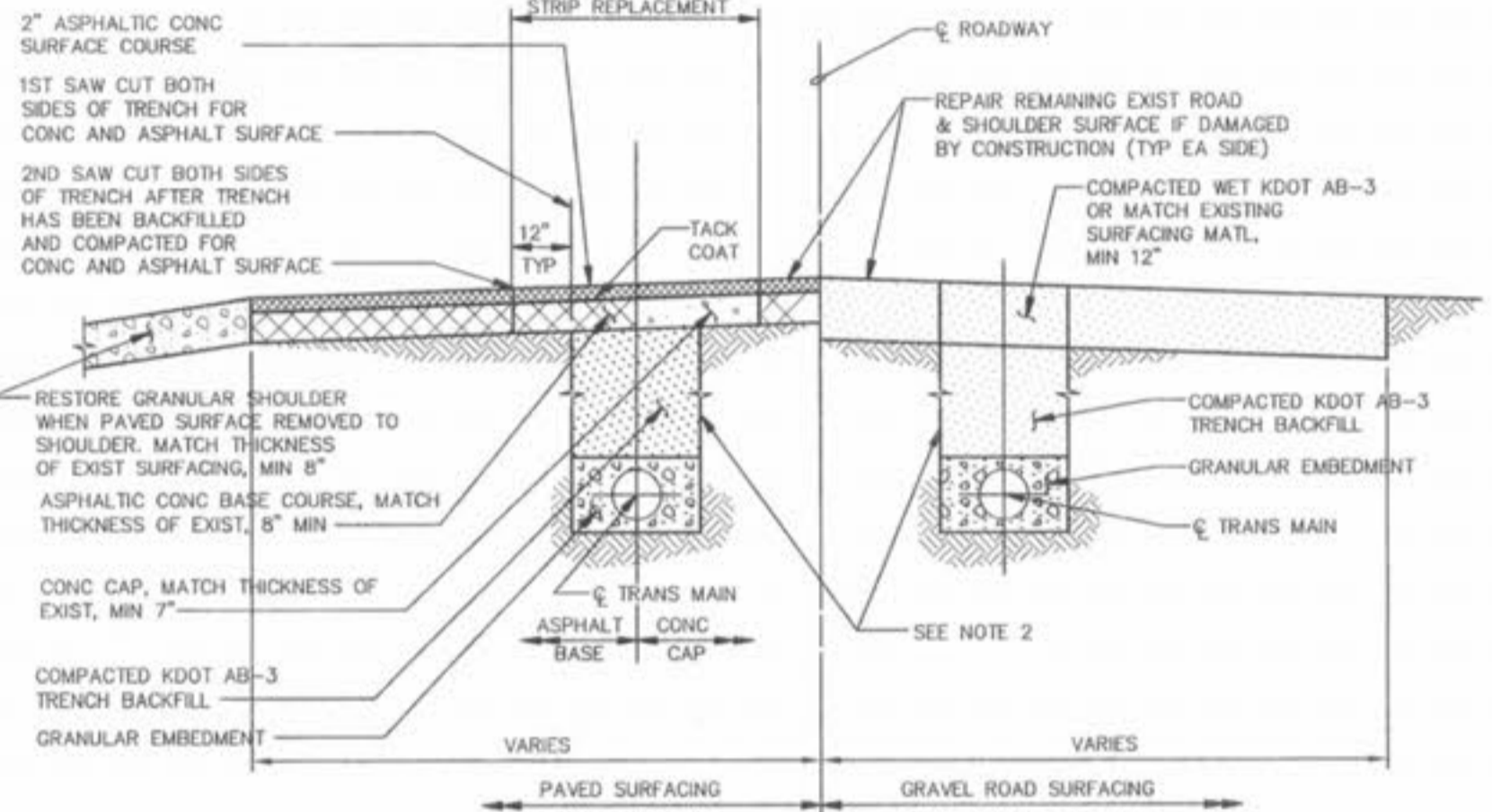
**TYPICAL WATER MAIN AND FIRE HYDRANT LOCATIONS**  
NOT TO SCALE



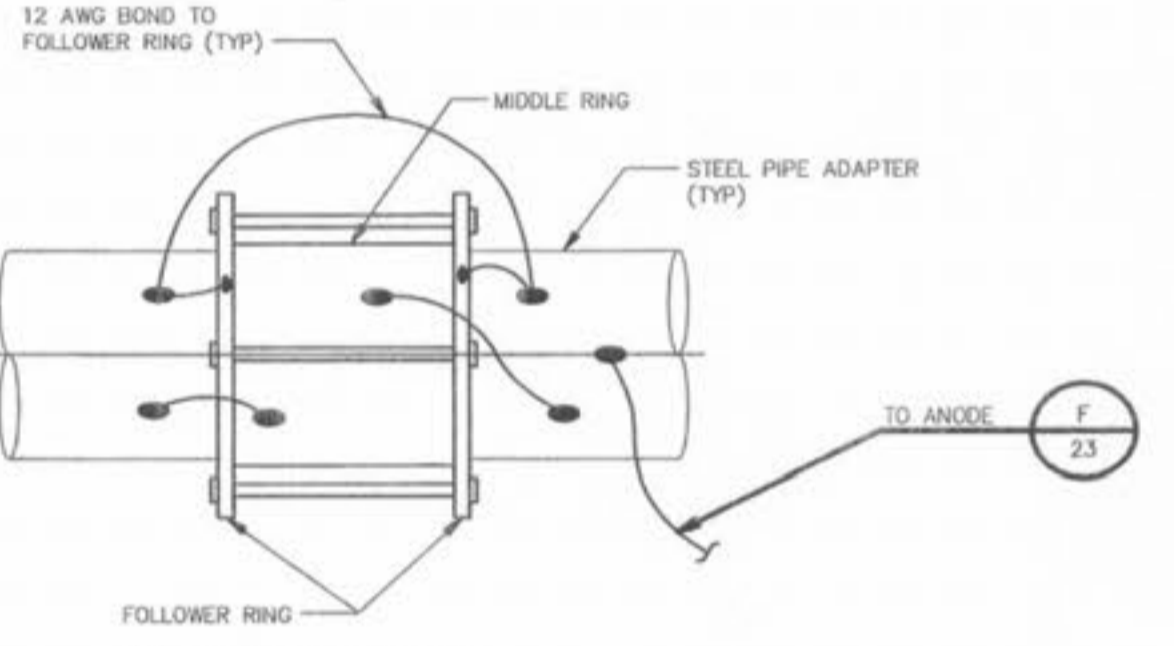
**TYPICAL WATER MAIN INSTALLATION DETAILS**  
NOT TO SCALE



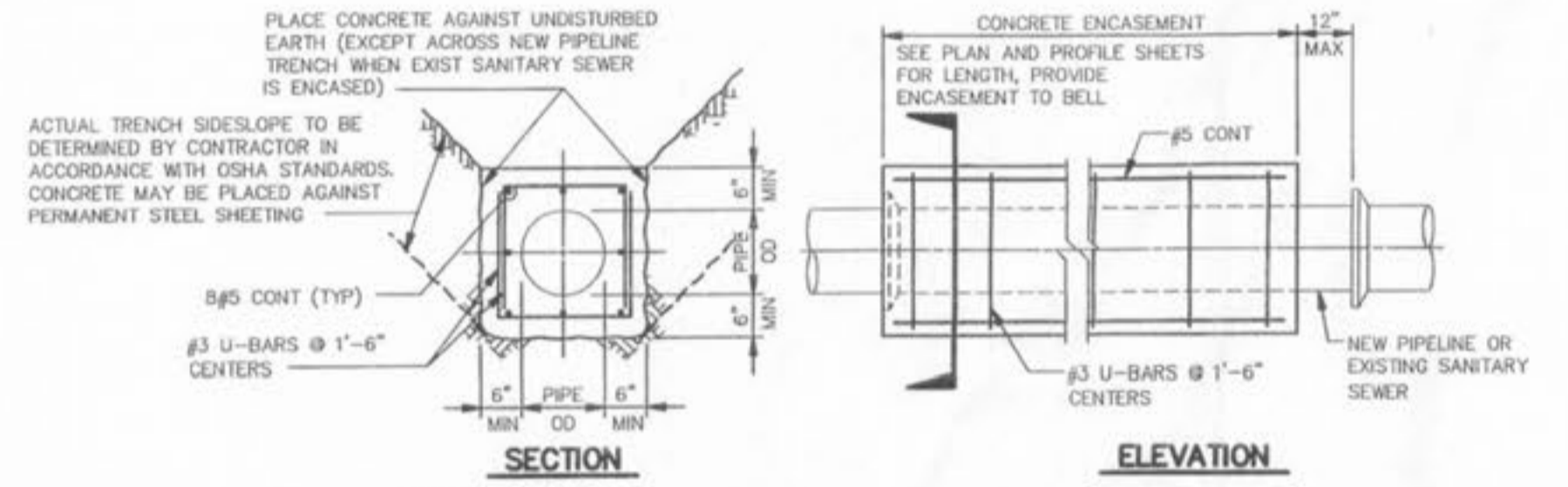
**FIRE HYDRANT DETAIL**  
NOT TO SCALE



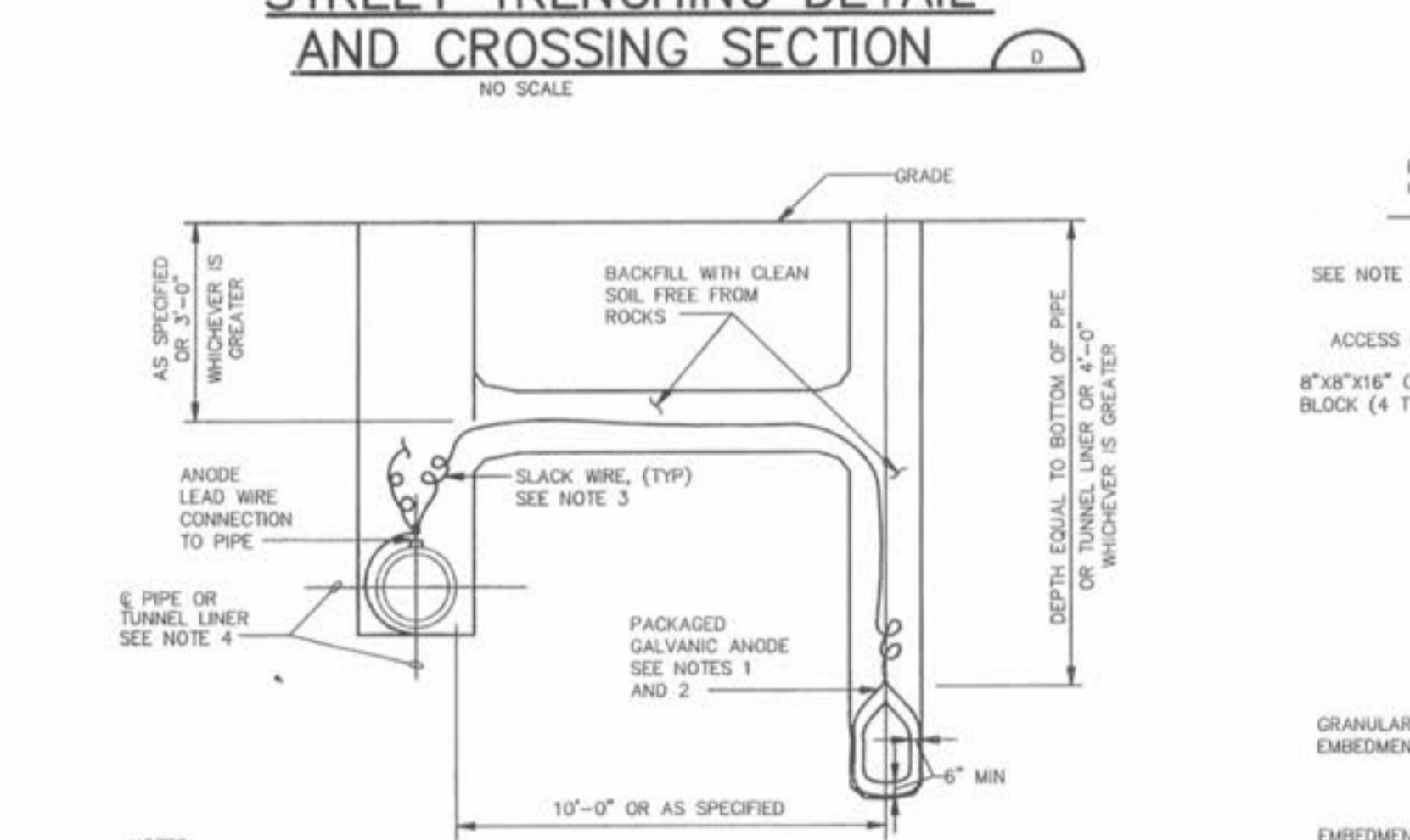
**STREET TRENCHING DETAIL AND CROSSING SECTION**  
NO SCALE



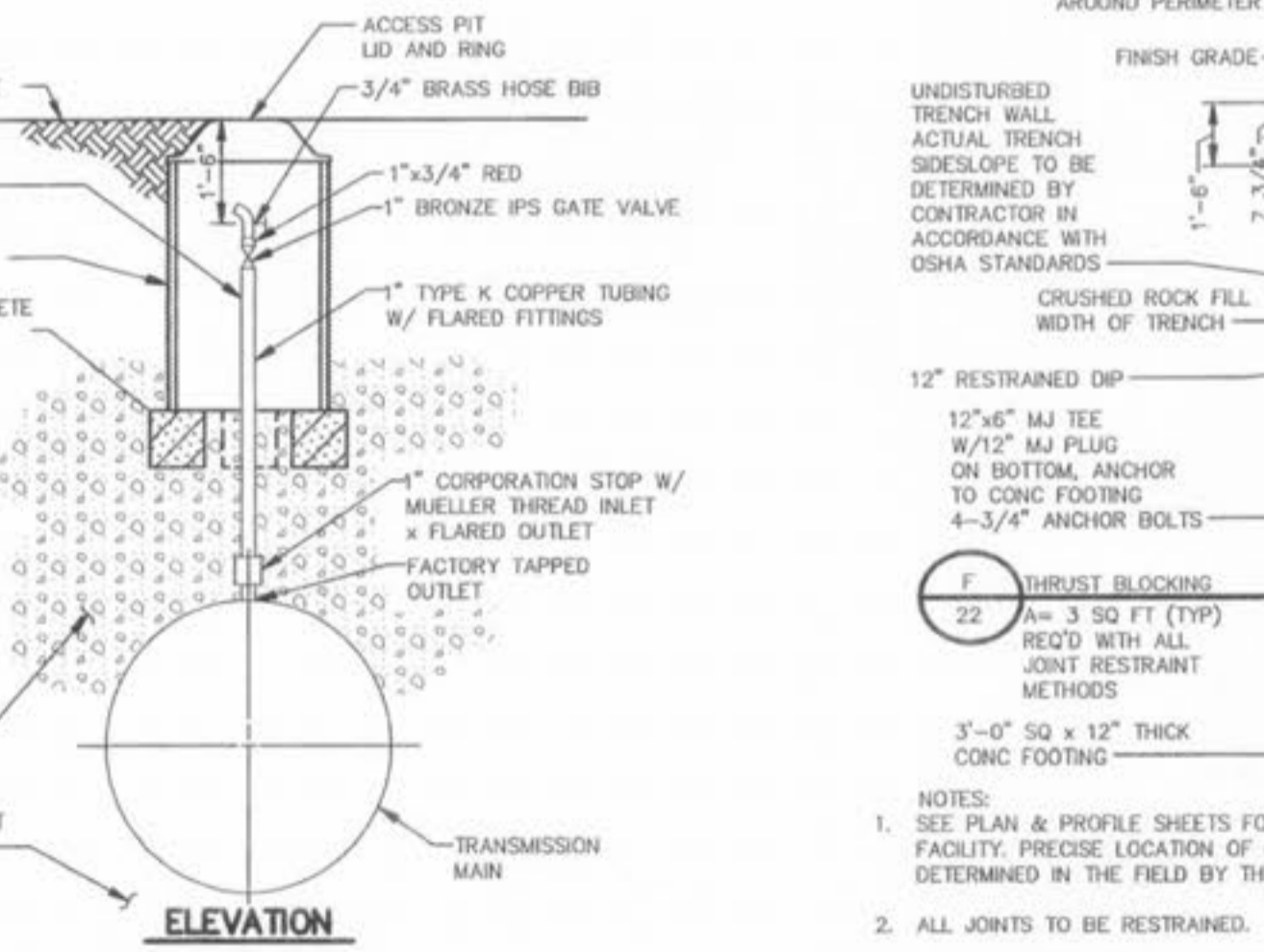
**JOINT BONDING OF STEEL PIPE ADAPTERS FOR PCCP ALTERNATIVE**  
NO SCALE



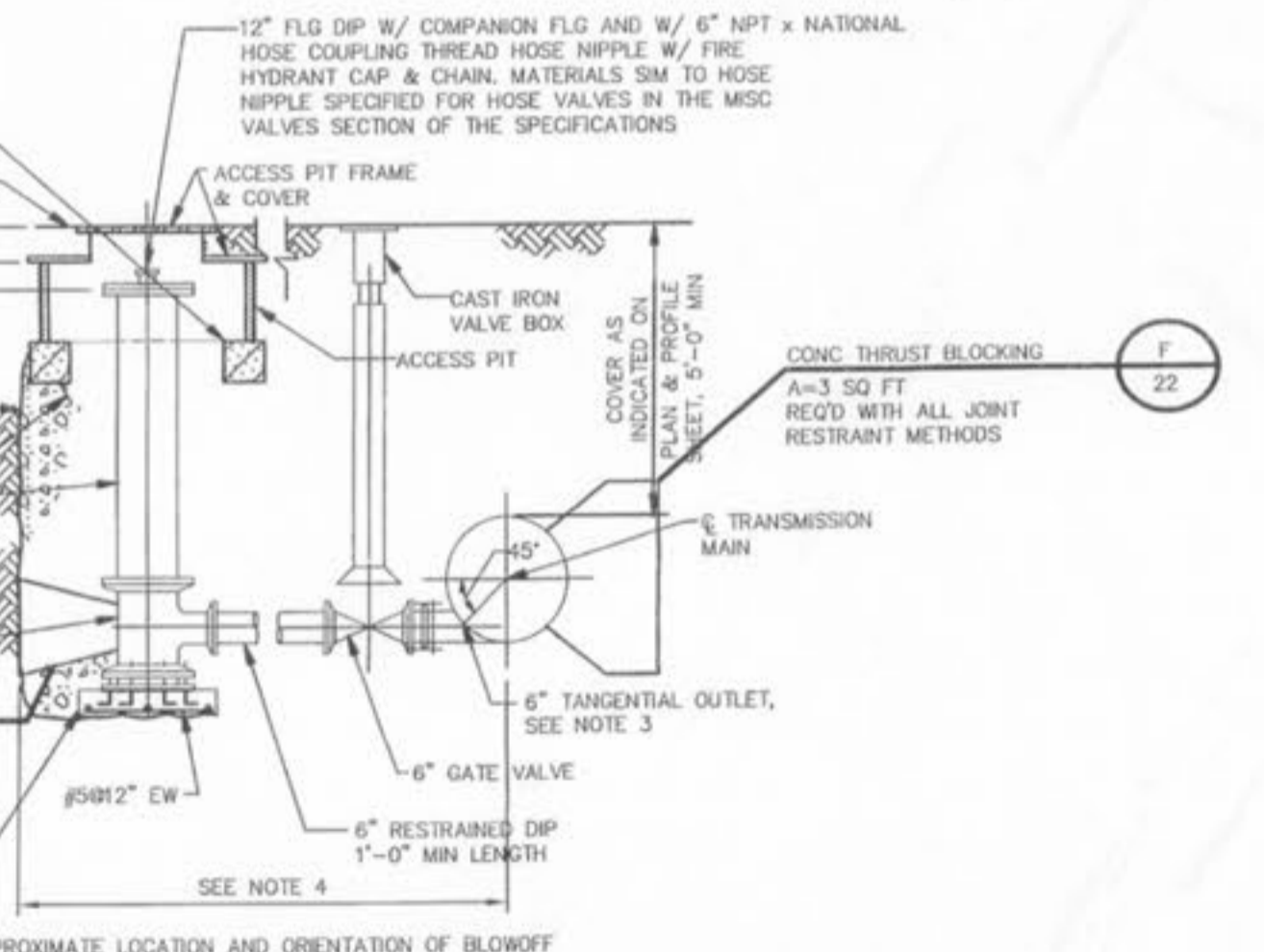
**CONCRETE ENCASUREMENT**  
NO SCALE



**ANODE INSTALLATION FOR STEEL PIPE ADAPTERS FOR PCCP ALTERNATIVE AND FOR TUNNEL LINERS**  
NO SCALE



**MANUAL AIR RELEASE VALVE ASSEMBLY**  
NO SCALE



**BLOWOFF FACILITY**  
NO SCALE

CITY OF FALLOON  
COMMUNITY DEVELOPMENT  
DESIGN DIVISION  
O'FALLOON, MISSOURI



DISCLAIMER OF RESPONSIBILITY  
I, the undersigned, being duly sworn, depose and say that the contents of the drawings and specifications herein are true and correct to the best of my knowledge and belief, and that I am a duly licensed Professional Engineer in the State of Missouri.

DESIGNED: \_\_\_\_\_  
CHECKED: \_\_\_\_\_  
DATE: \_\_\_\_\_  
PROJECT NO.: \_\_\_\_\_  
SHEET \_\_\_\_\_ OF \_\_\_\_\_

MAGNOLIA  
WATERLINE DETAILS 2

ST. CHARLES ENGINEERING & SURVEYING, INC.  
801 S. FIFTH STREET, SUITE 202  
ST. CHARLES, MO 63801  
TEL: (636) 947-0607 FAX: (636) 947-2448

S E S



ORDER NO. 03-0498  
DATE 12/1/03  
D9