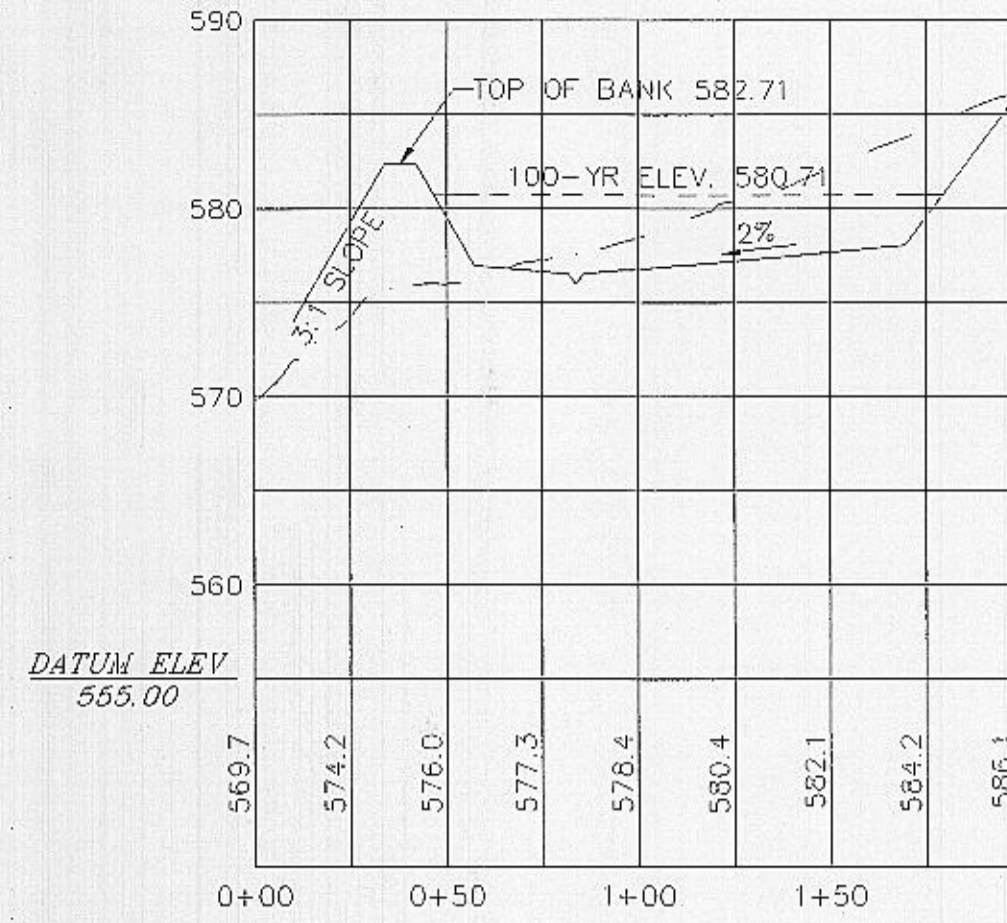
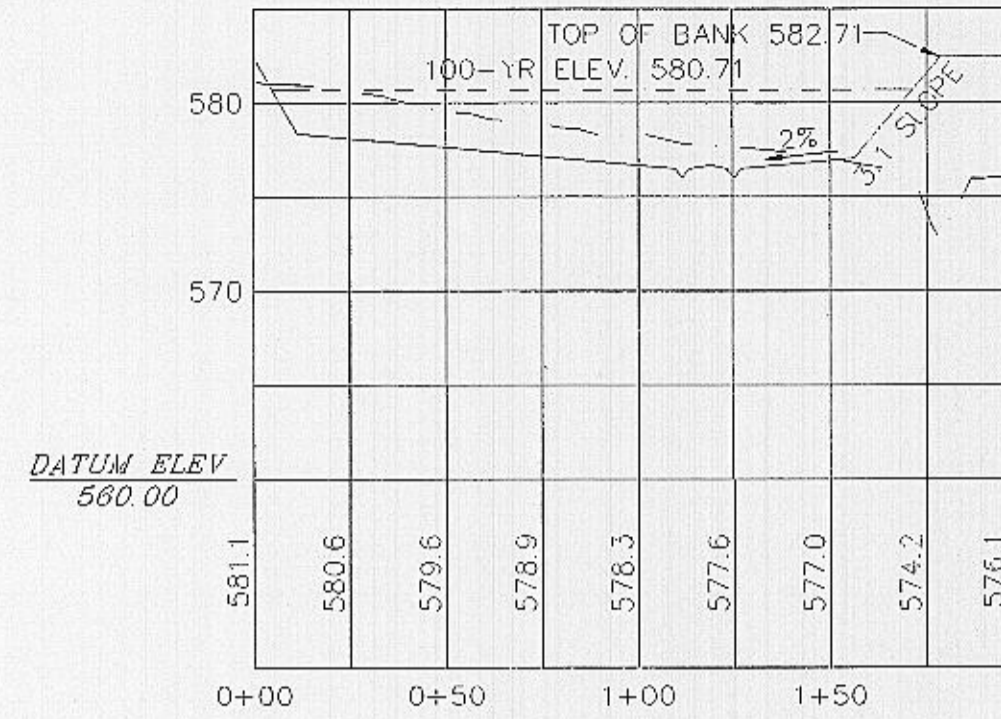


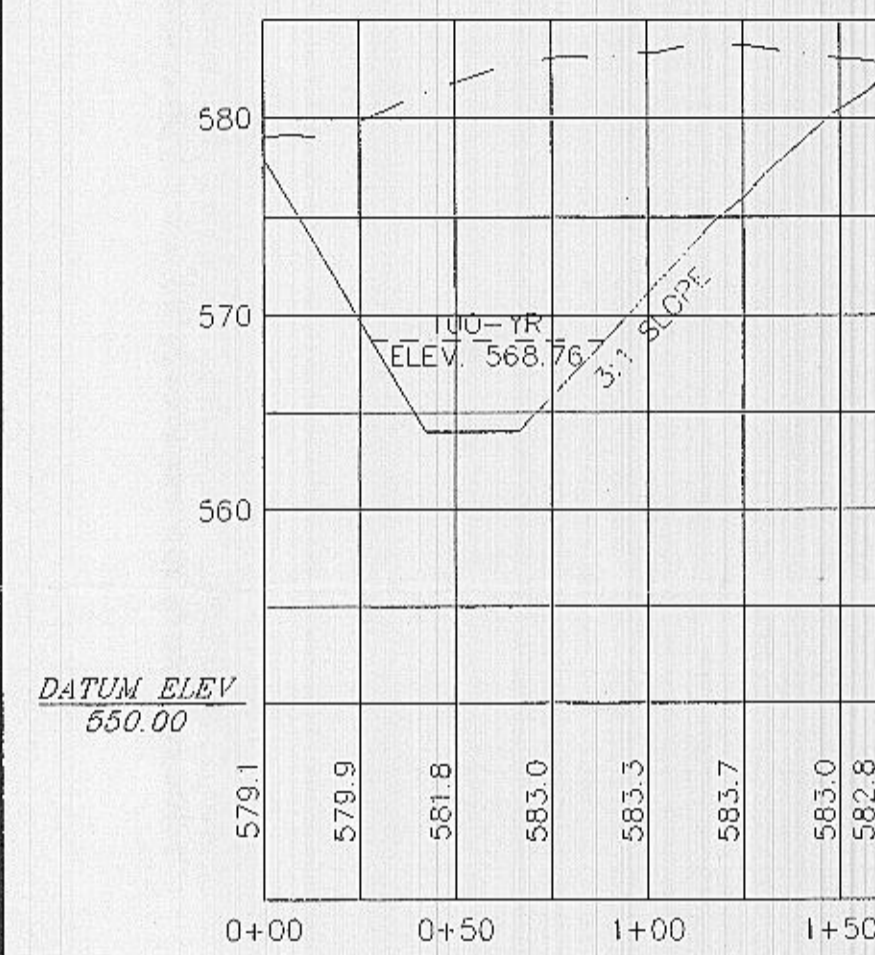
BASIN #2, SECTION A-A



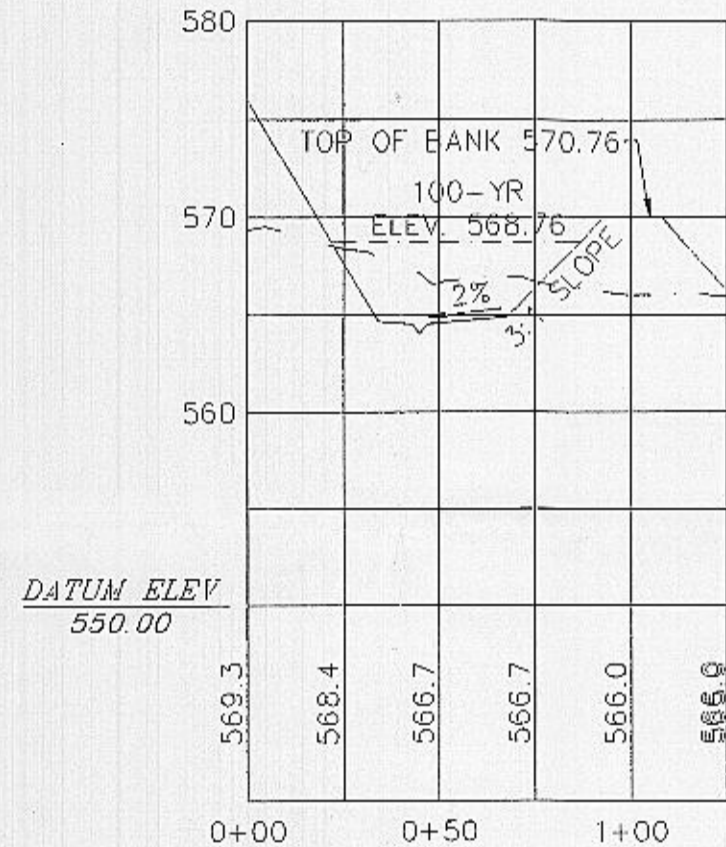
BASIN #2, SECTION B-B



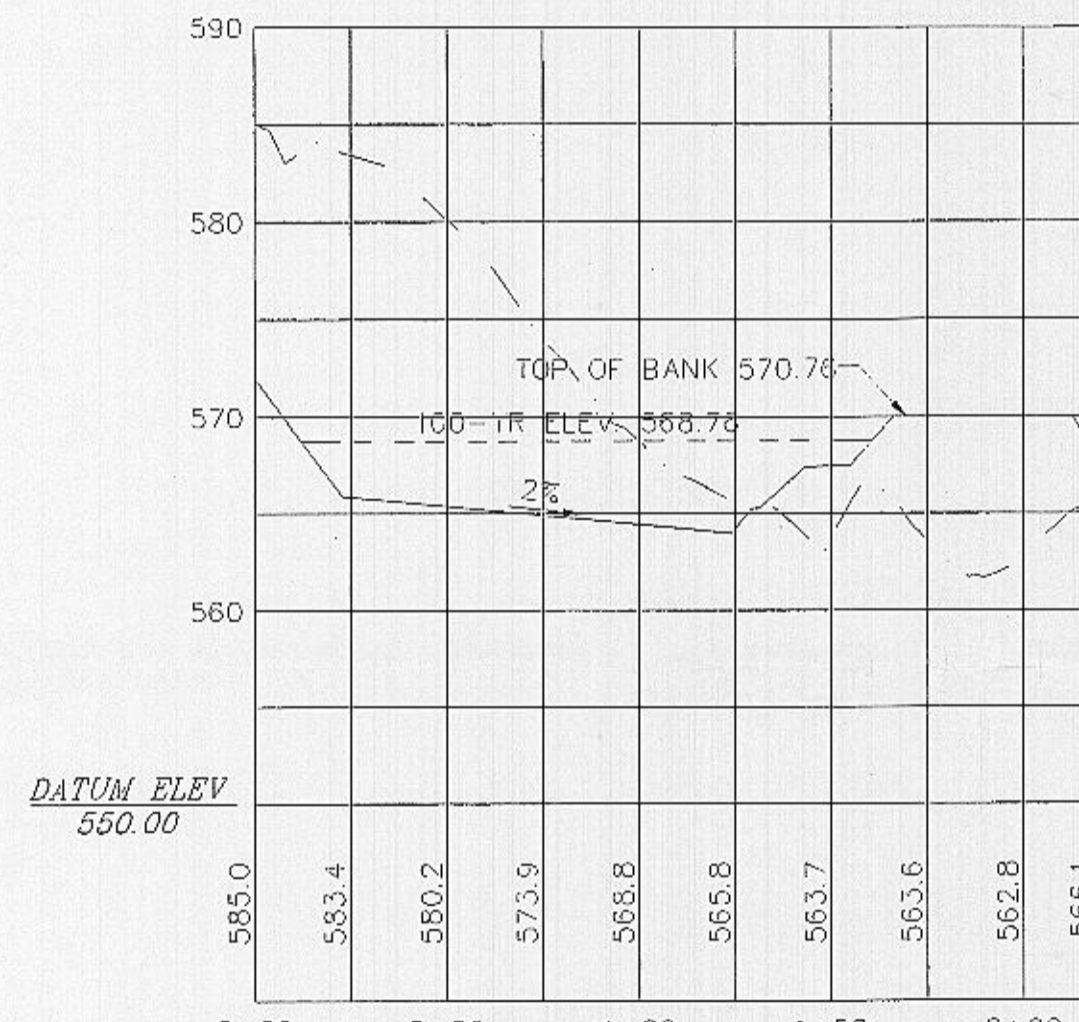
BASIN #2, SECTION C-C



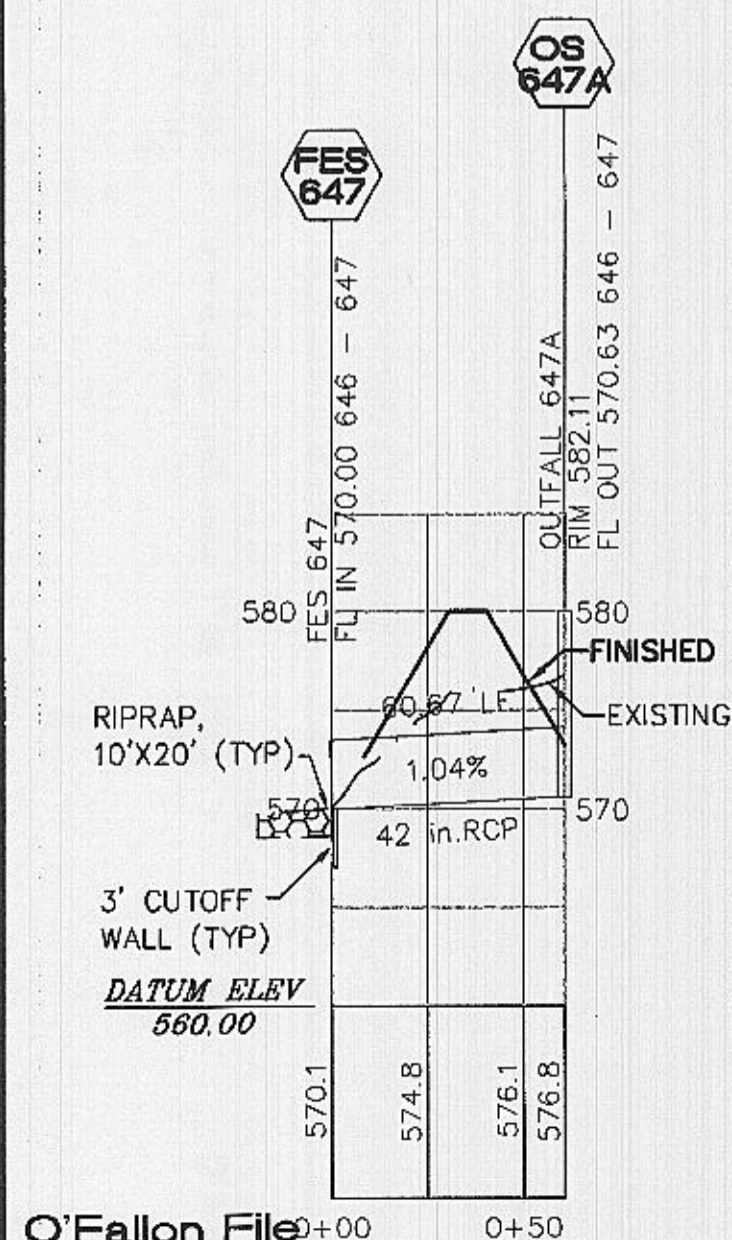
BASIN #3, SECTION A-A



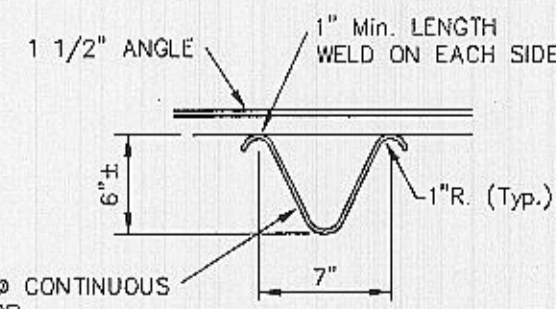
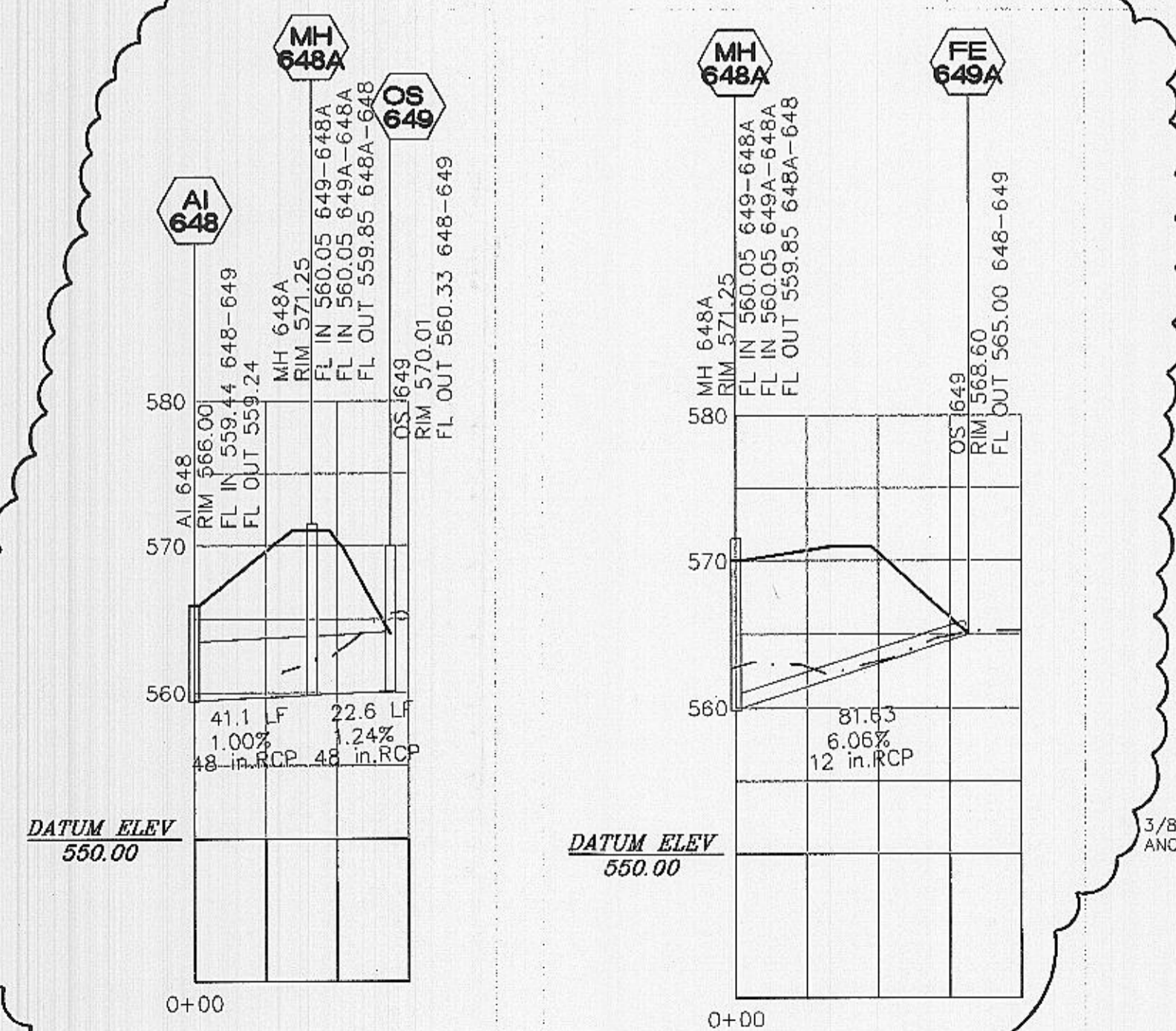
BASIN #3, SECTION B-B



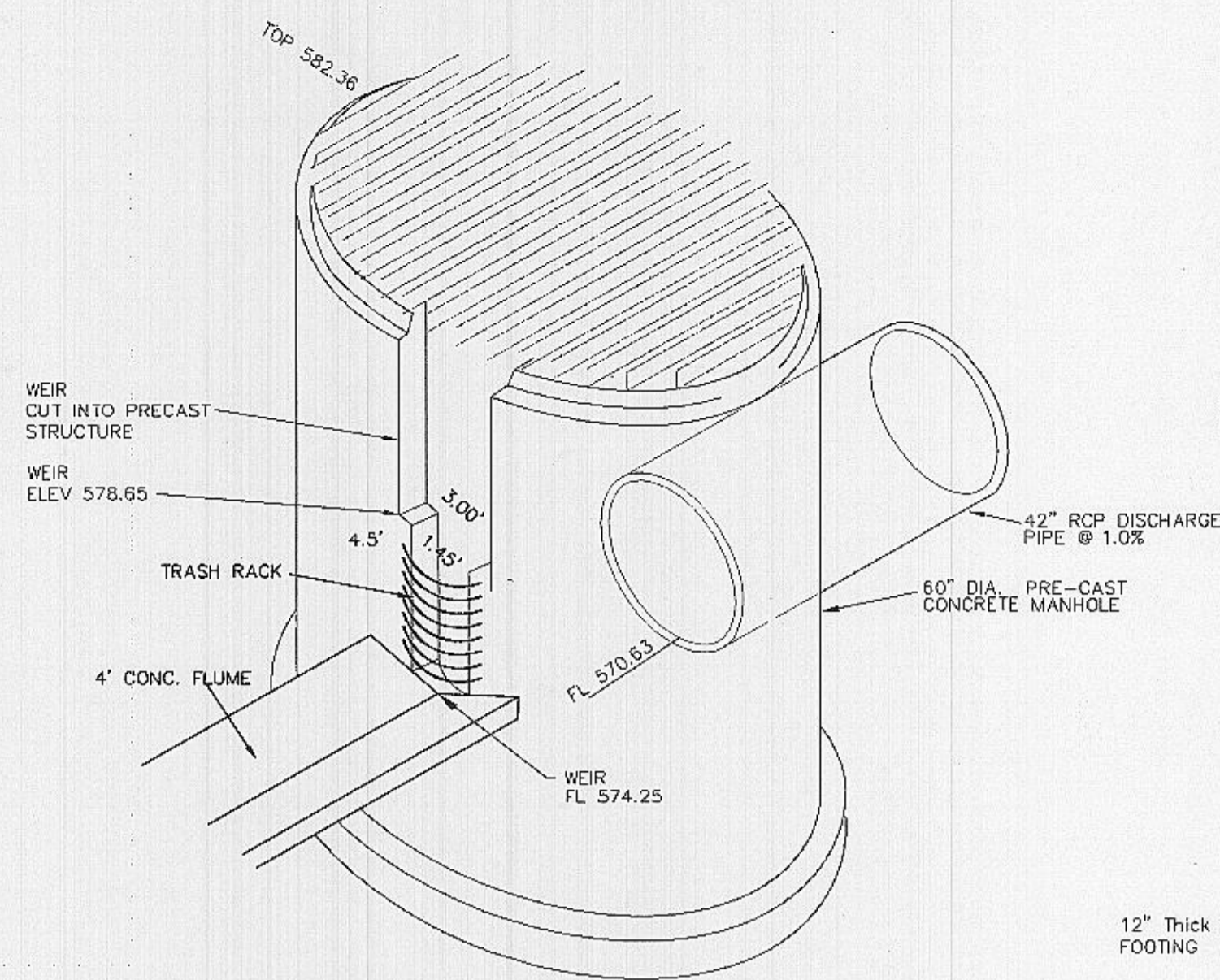
BASIN #3, SECTION C-C



O'Fallon File Number 3603.01

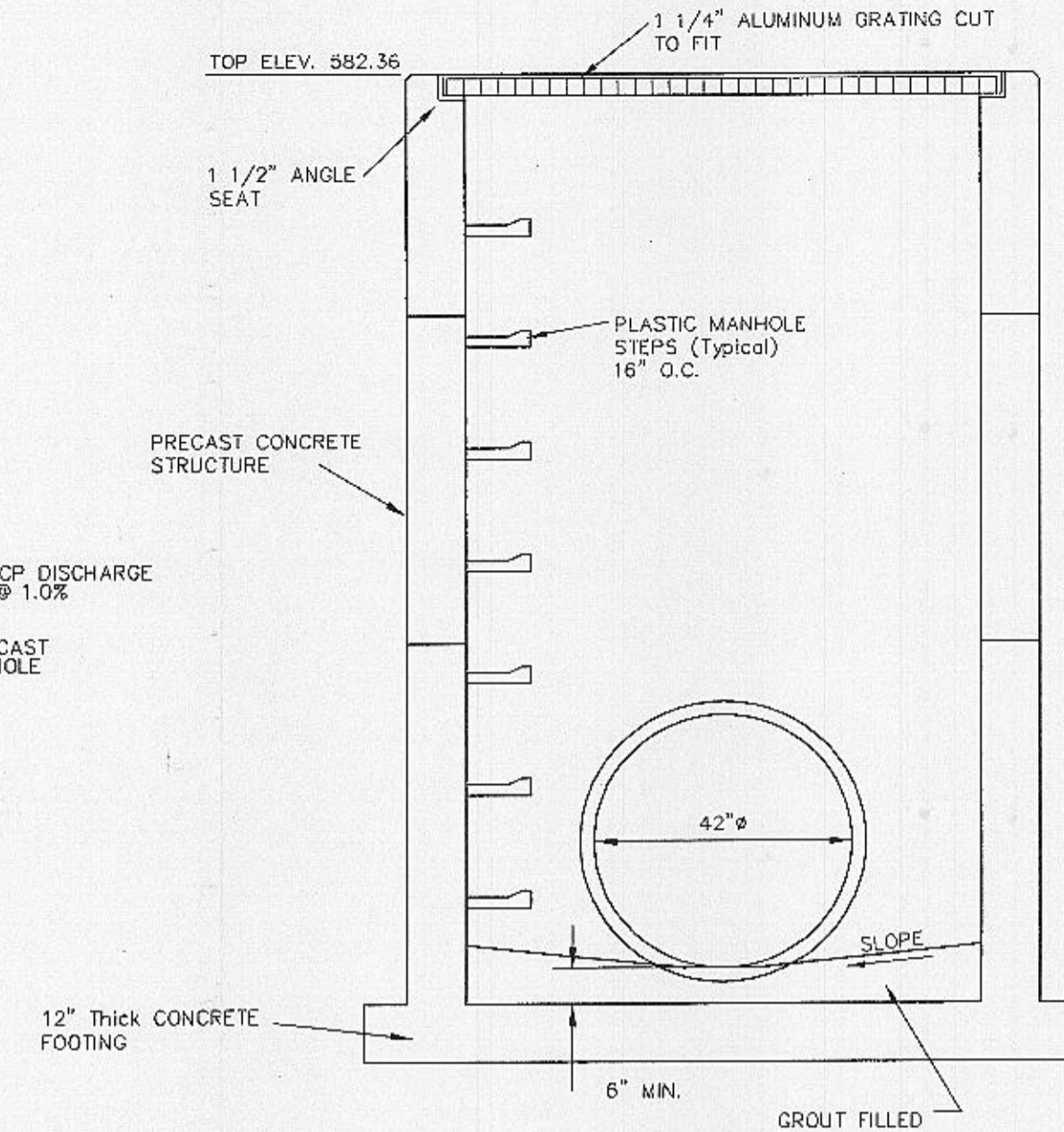


SECTION C  
NOTE: ANGLE SEAT TO RECEIVE 2 COATS OF EPOXY PAINT PRIOR TO INSTALLING GRATE.  
DETAIL OF CONTINUOUS ANCHOR FOR ANGLE SEAT



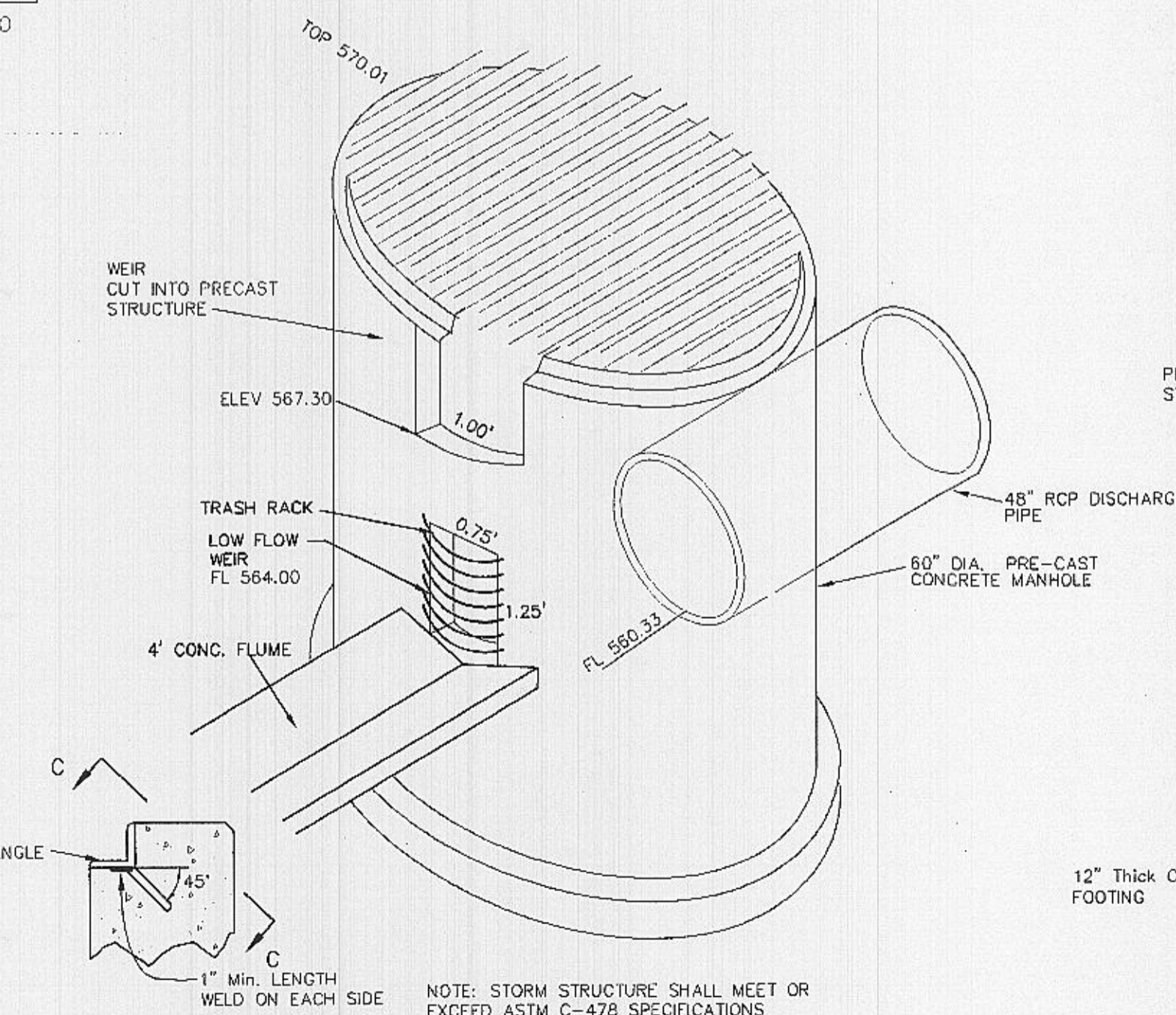
NOTE: STORM STRUCTURE SHALL MEET OR EXCEED ASTM C-478 SPECIFICATIONS

DETENTION STRUCTURE DETAIL BASIN 2  
OUTFALL 647A  
NOT TO SCALE



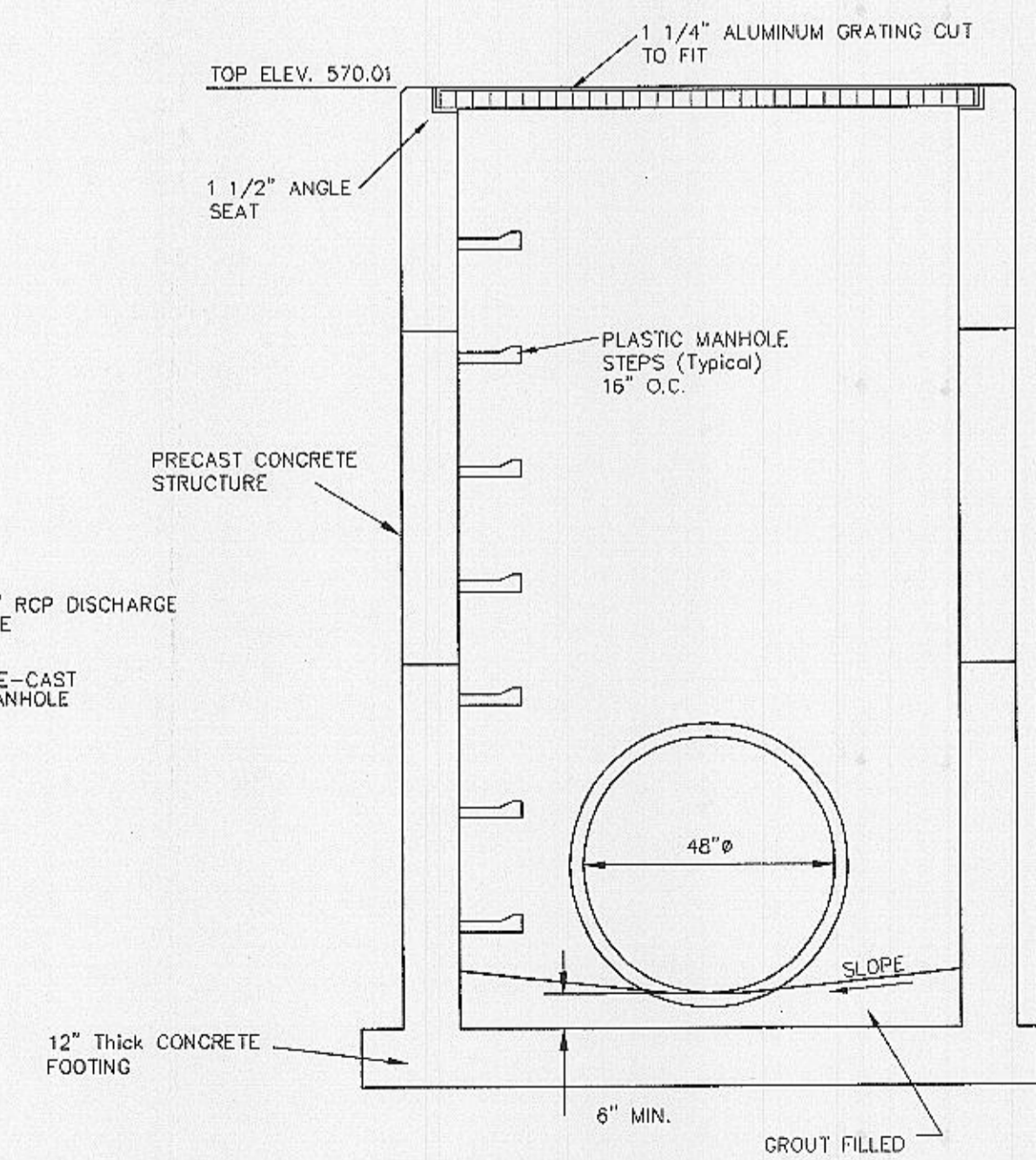
Note:  
1. The joints on the vertical outfall structure, footing, 48" pipe sections and precast sections shall be water tight joints.  
2. Core Requirements, compaction requirements, construction requirements, and material requirements shall be specified by on site soils engineer.

2/24/05  
File Copy  
**APPROVED**  
*[Signature]*



NOTE: STORM STRUCTURE SHALL MEET OR EXCEED ASTM C-478 SPECIFICATIONS

DETENTION STRUCTURE DETAIL BASIN 3  
OUTFALL 649  
NOT TO SCALE



Note:  
1. The joints on the vertical outfall structure, footing, 48" pipe sections and precast sections shall be water tight joints.  
2. Core Requirements, compaction requirements, construction requirements, and material requirements shall be specified by on site soils engineer.

RECEIVED  
JAN 19 2005  
ENGINEERING DEPARTMENT  
Revised Detention Outfall  
01/19/05

MAGNOLIA  
DETENTION

ST. CHARLES ENGINEERING & SURVEYING, INC.  
801 S. FIFTH STREET, SUITE 202  
ST. CHARLES, MO 63301  
TEL: (636) 947-0607 FAX: (636) 947-2448

SIC  
S E S

STATE OF MISSOURI  
KARL ANTHONY  
SCHAUBER  
REGISTERED PROFESSIONAL ENGINEER  
NUMBER  
PE-2003015039

1-19-05  
ORDER NO.  
030498  
DATE  
1-26-04  
41