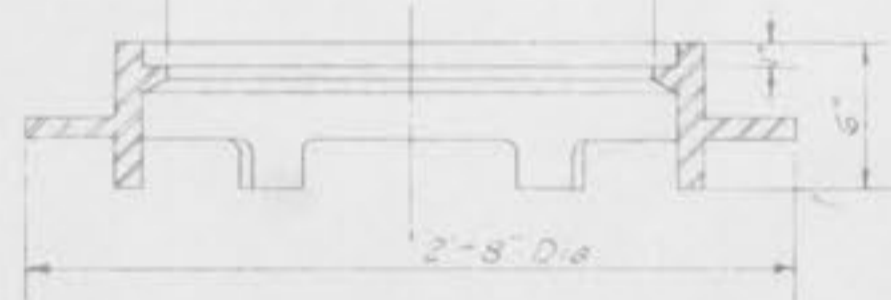


FRAME & COVER PLAN

1-9 1/4"

SECTION OF COVER

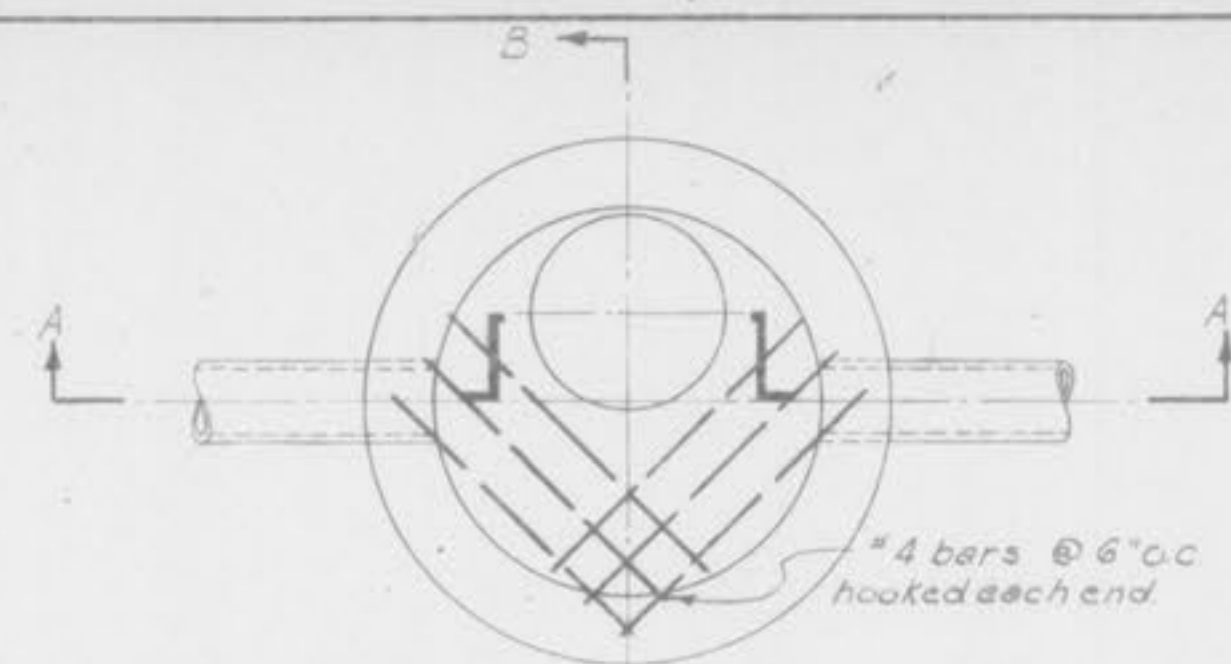
1-8"



SECTION OF FRAME

STANDARD CAST IRON MANHOLE FRAME & COVER

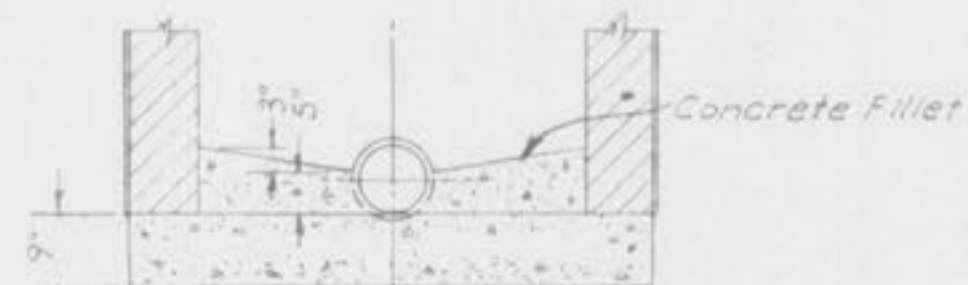
1



PLAN



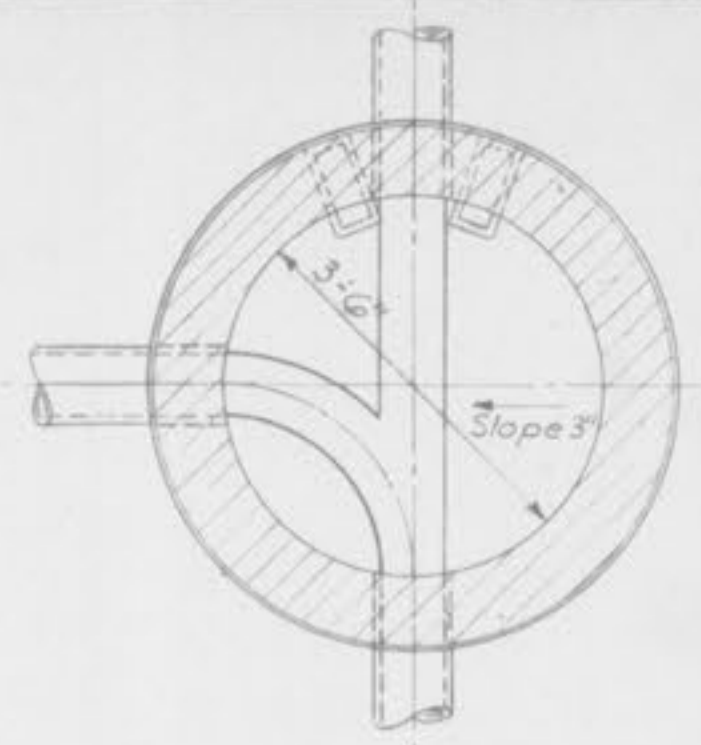
SECTION A-A



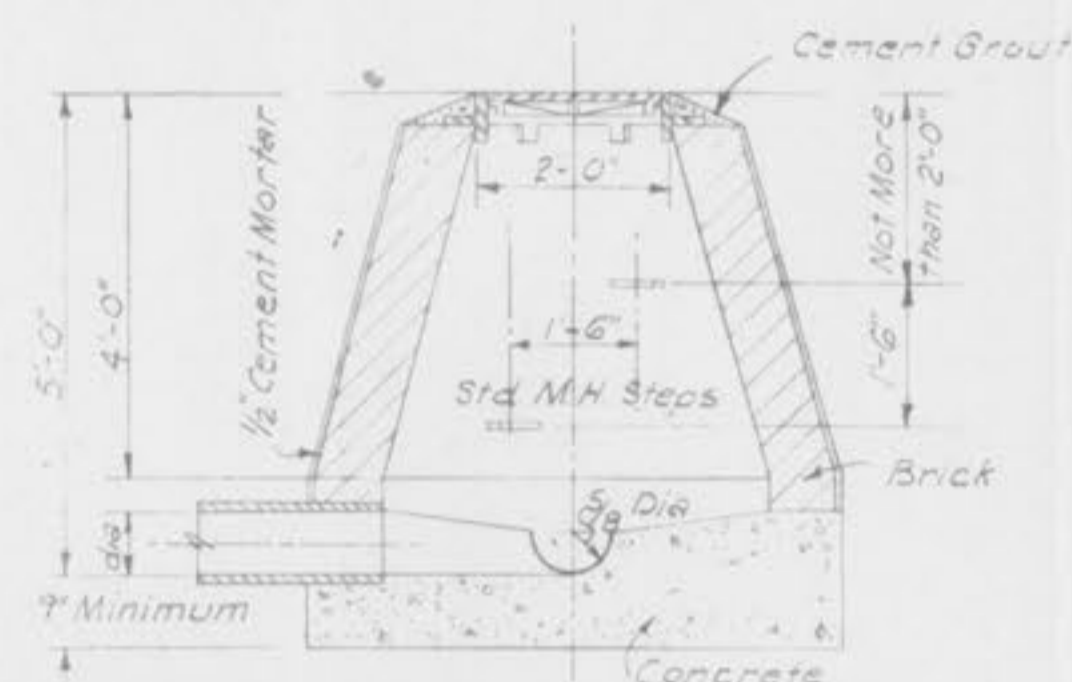
SECTION B-B

SHALLOW MANHOLE

2



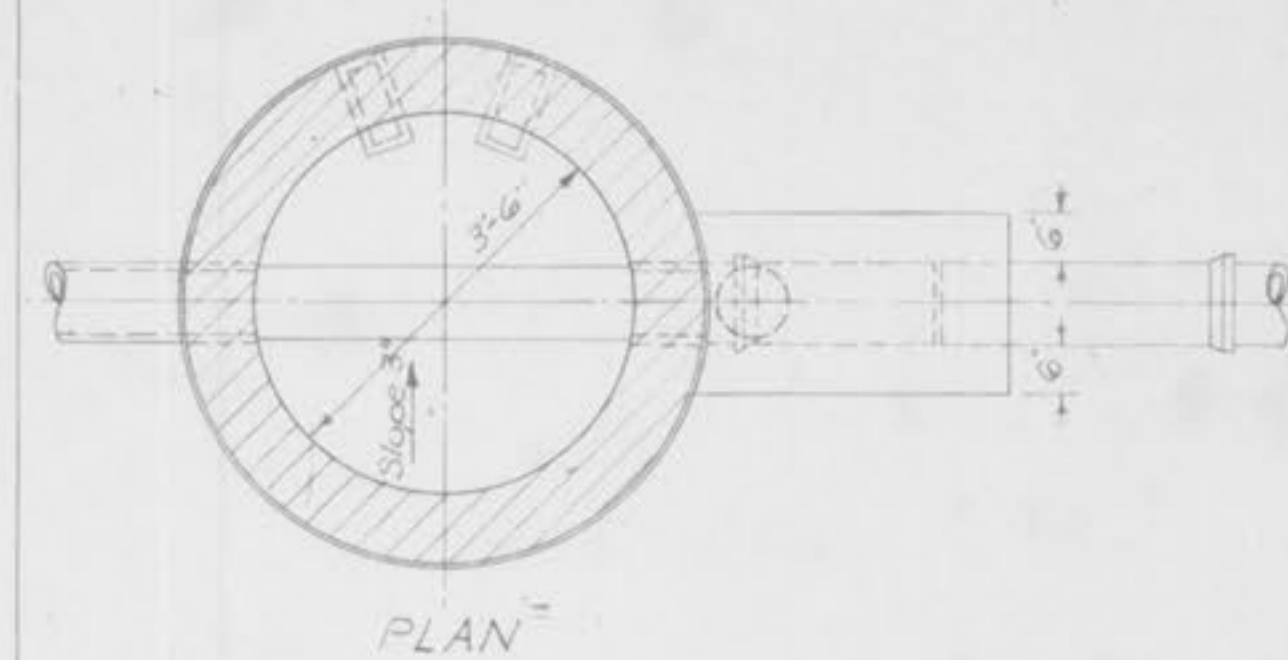
PLAN



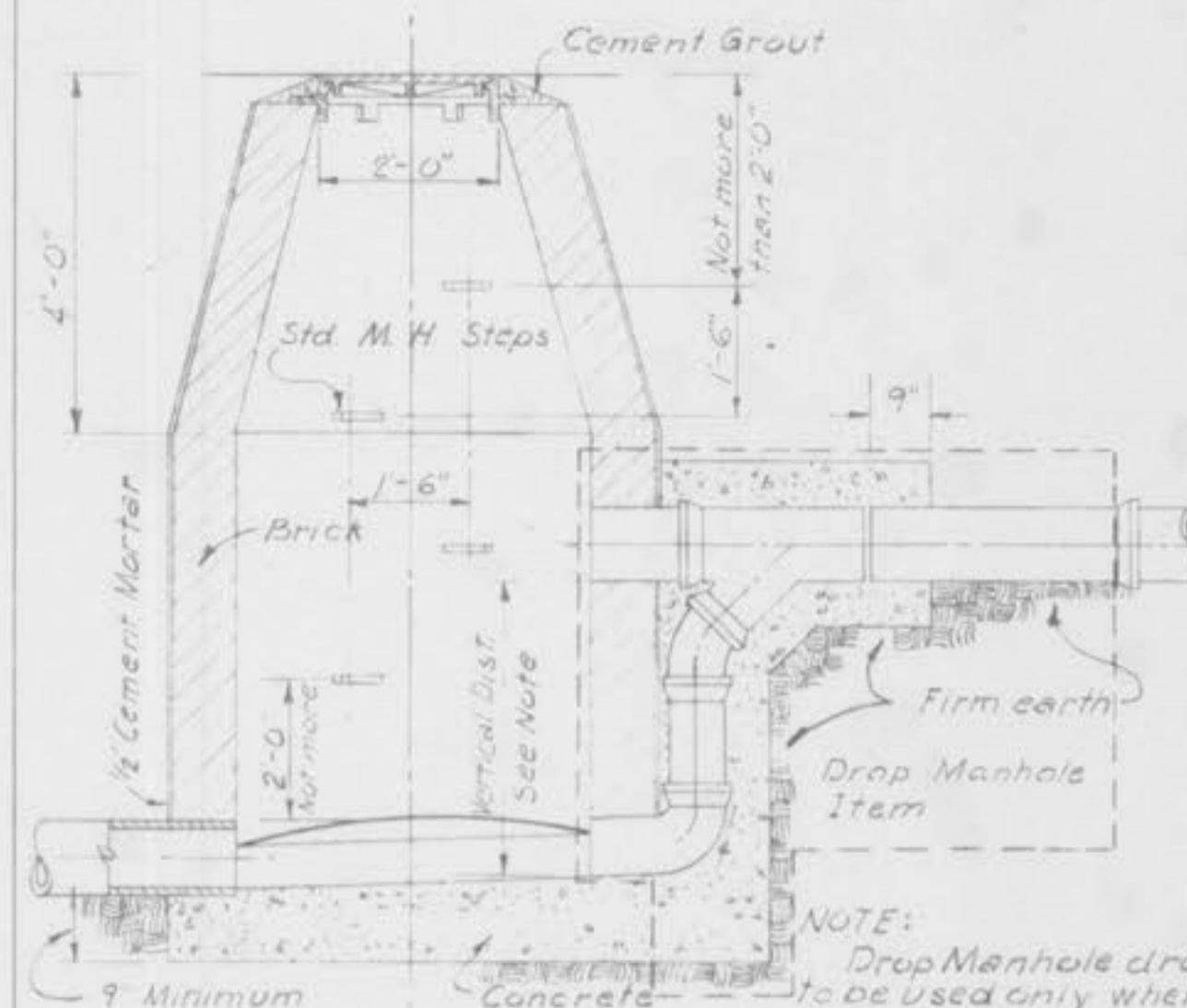
SECTION

STANDARD MANHOLE FOR PIPES 24" & SMALLER

3



PLAN



SECTION

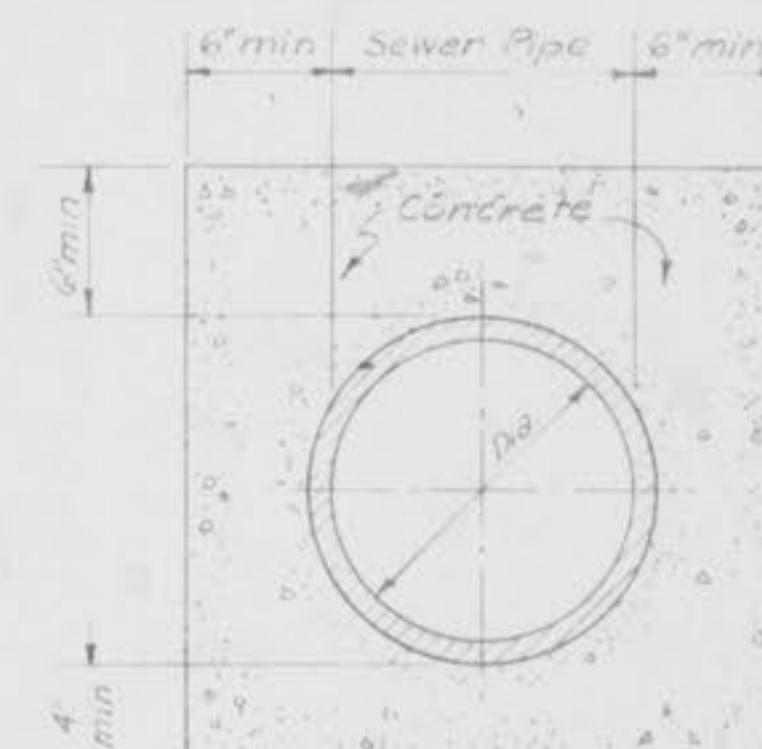
TYPICAL DROP MANHOLE

4



CONCRETE SEWER CRADLE

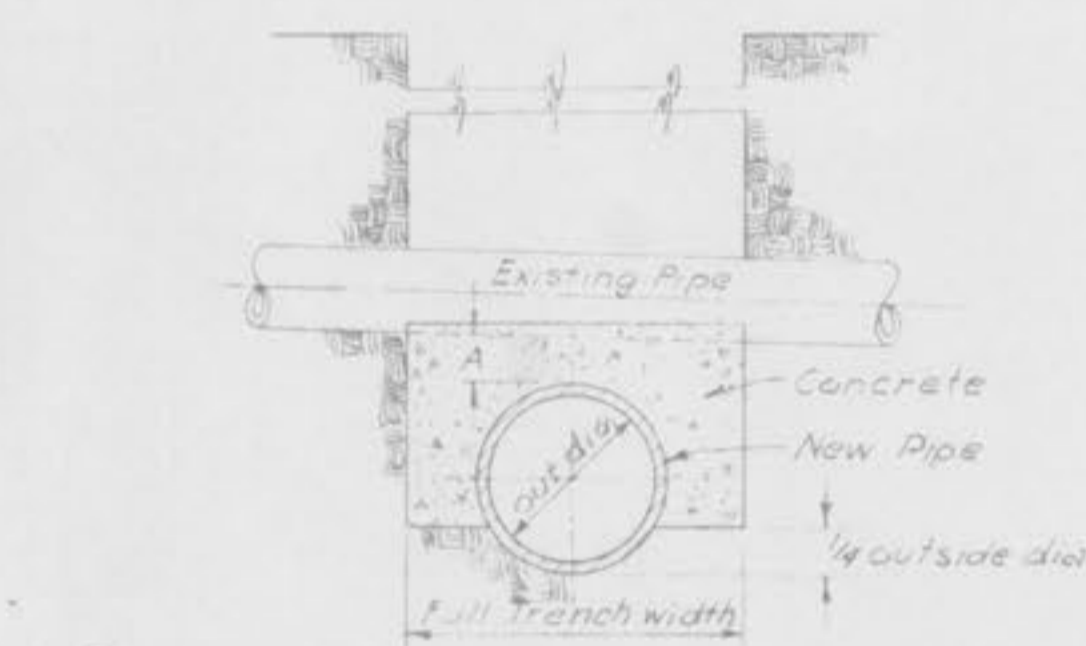
5



CONCRETE SEWER ENCASEMENT

6

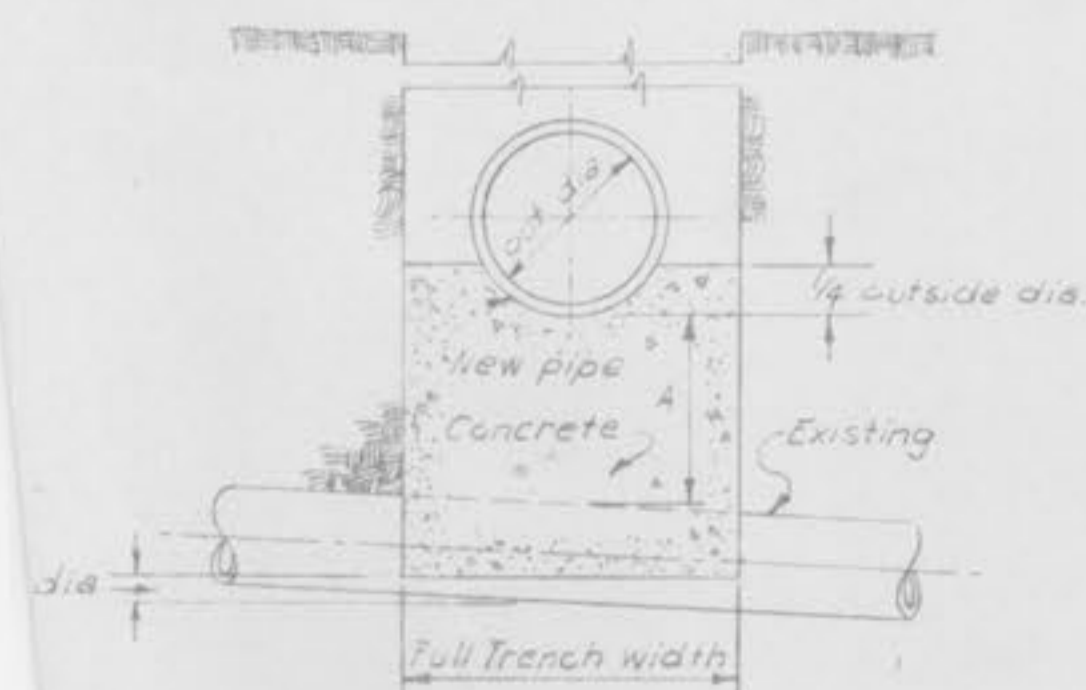
GENERAL NOTES:



NOTE: Where "A" is 12" or more use standard concrete sewer cradle on existing sewer pipe. Where "A" is less than 12" use pipe encasement as shown.

PIPE ENCASEMENT FOR NEW PIPE UNDER EXISTING PIPE

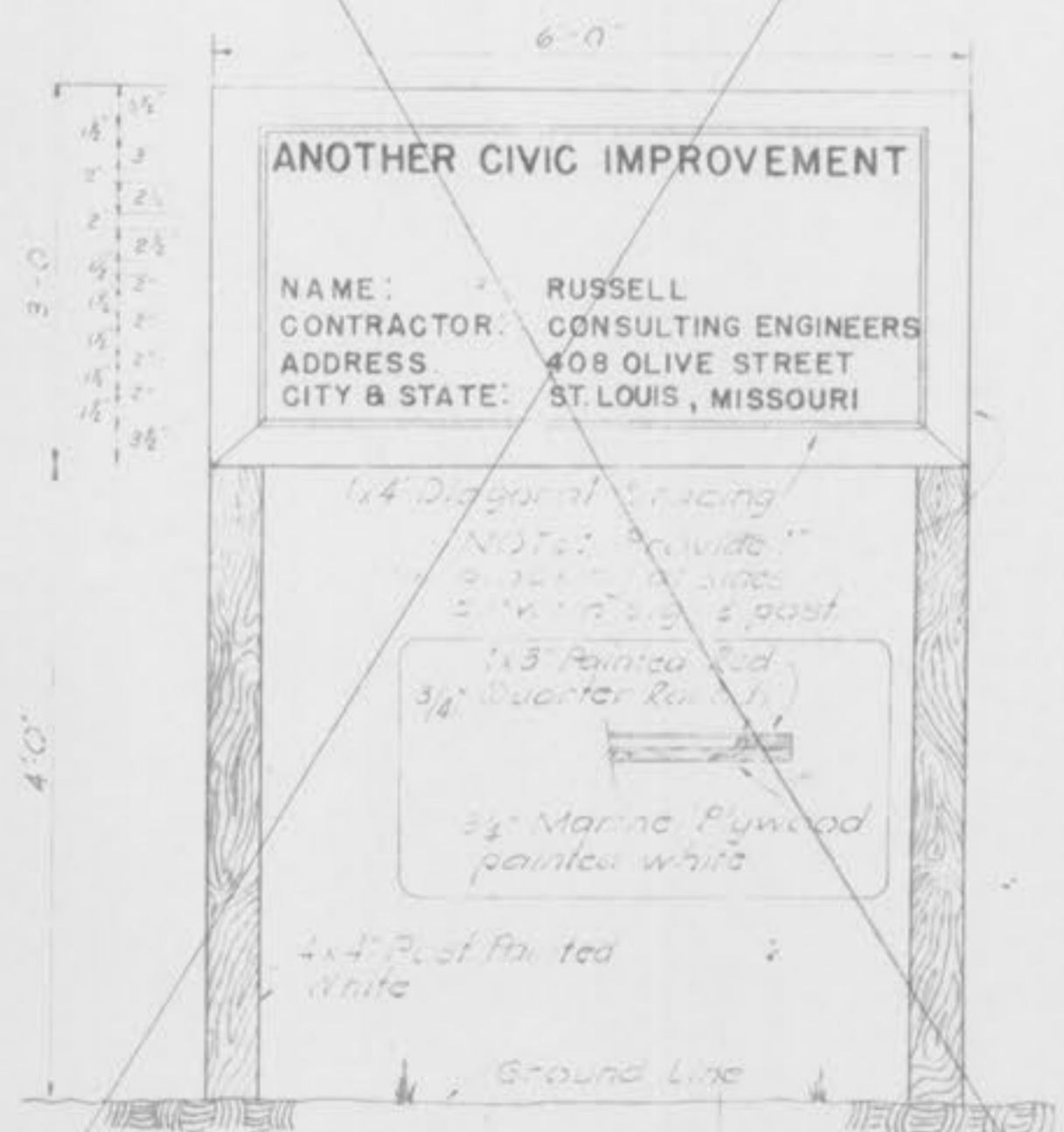
7



NOTE: Where "A" is greater than 12" no concrete encasement is required.

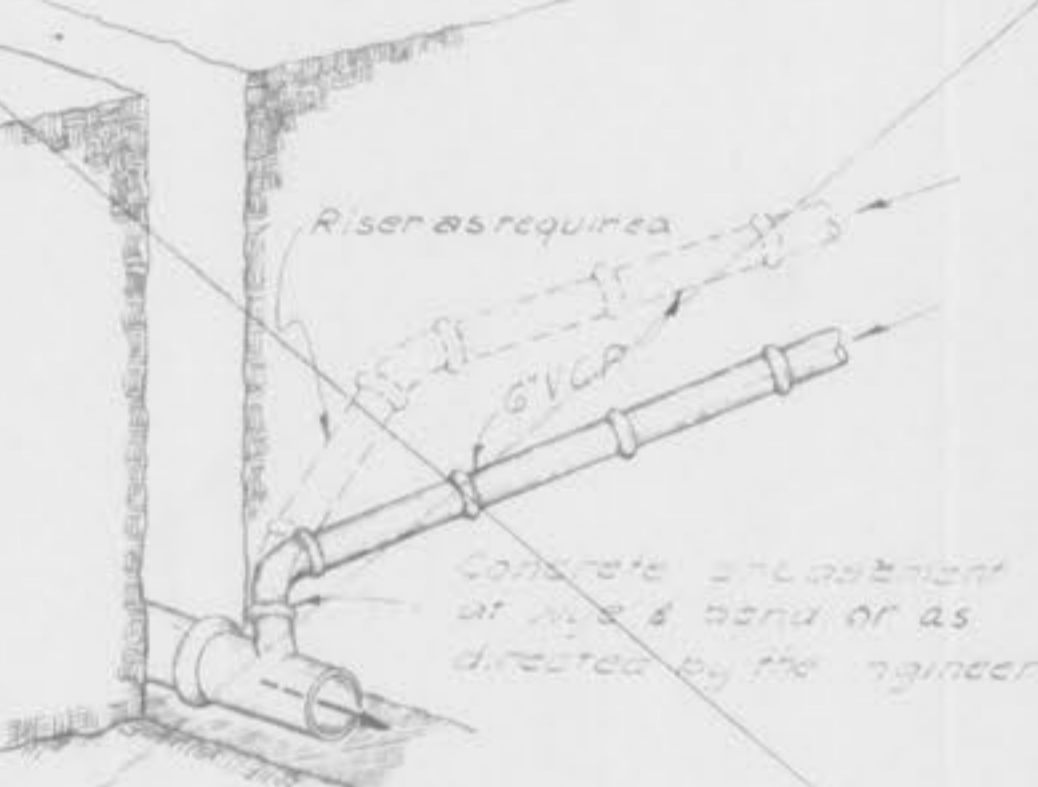
PIPE ENCASEMENT FOR NEW PIPE OVER EXISTING PIPE

8



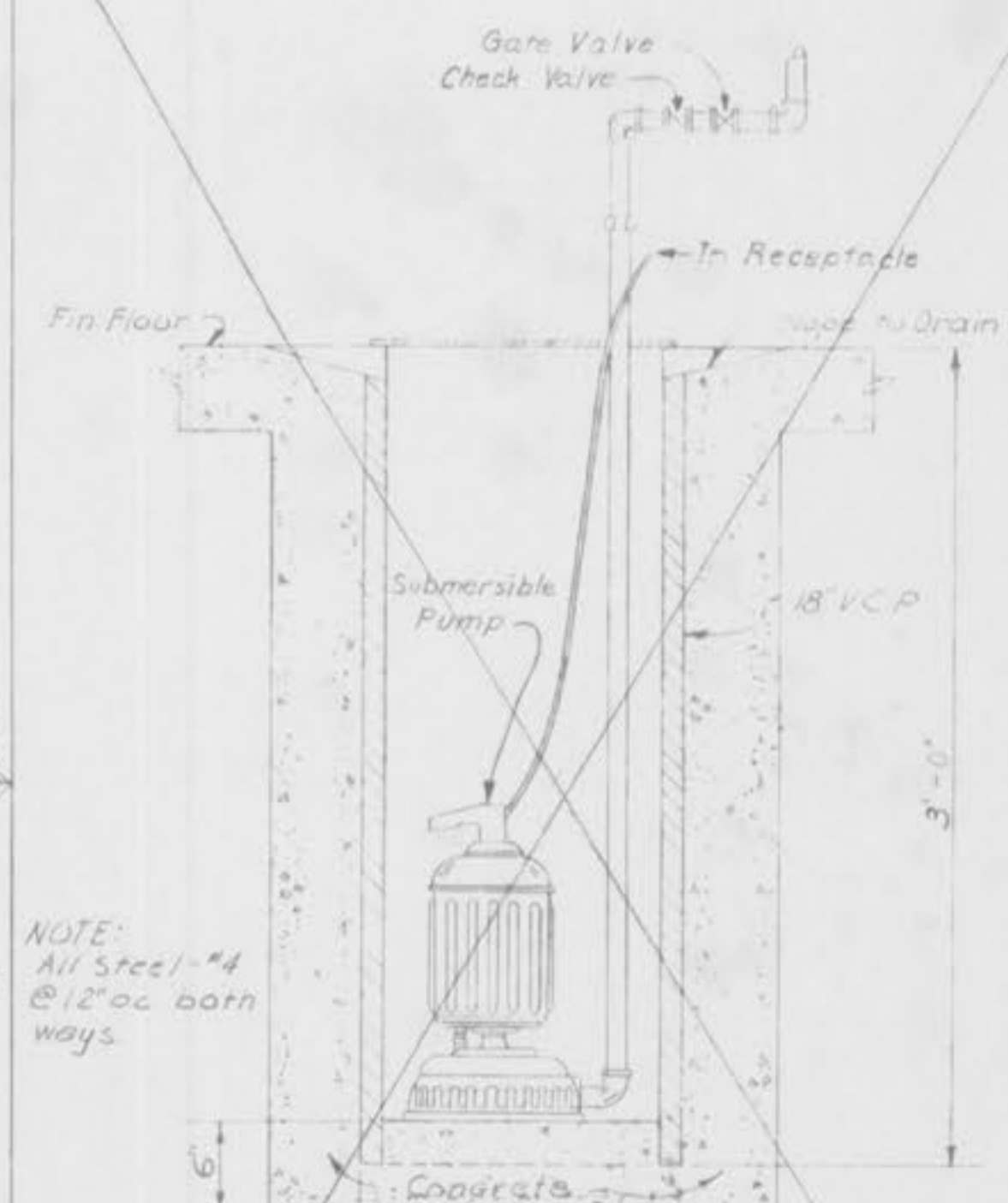
SERVICE CONNECTION

10



LAMPHOLE DETAILS

11



SUMP PUMP

12

NO.	DATE	DESCRIPTION	BY	CHKD.
REVISIONS				
+ RUSSELL & AXON + INC. + CONSULTING ENGINEERS				
DAYTONA BEACH, FLA.			ST. LOUIS, MO.	
O'FALLON, MO.				
DETAILS				
DESIGNED BY L.F.K.	FILE NO. 6410-10-11	SEAL		
DRAWN BY W.E.	SHEET No. 11	SHEETS		
CHECKED BY P.M.	of 11	SHEETS		
DATE April, 1966	SCALE None			