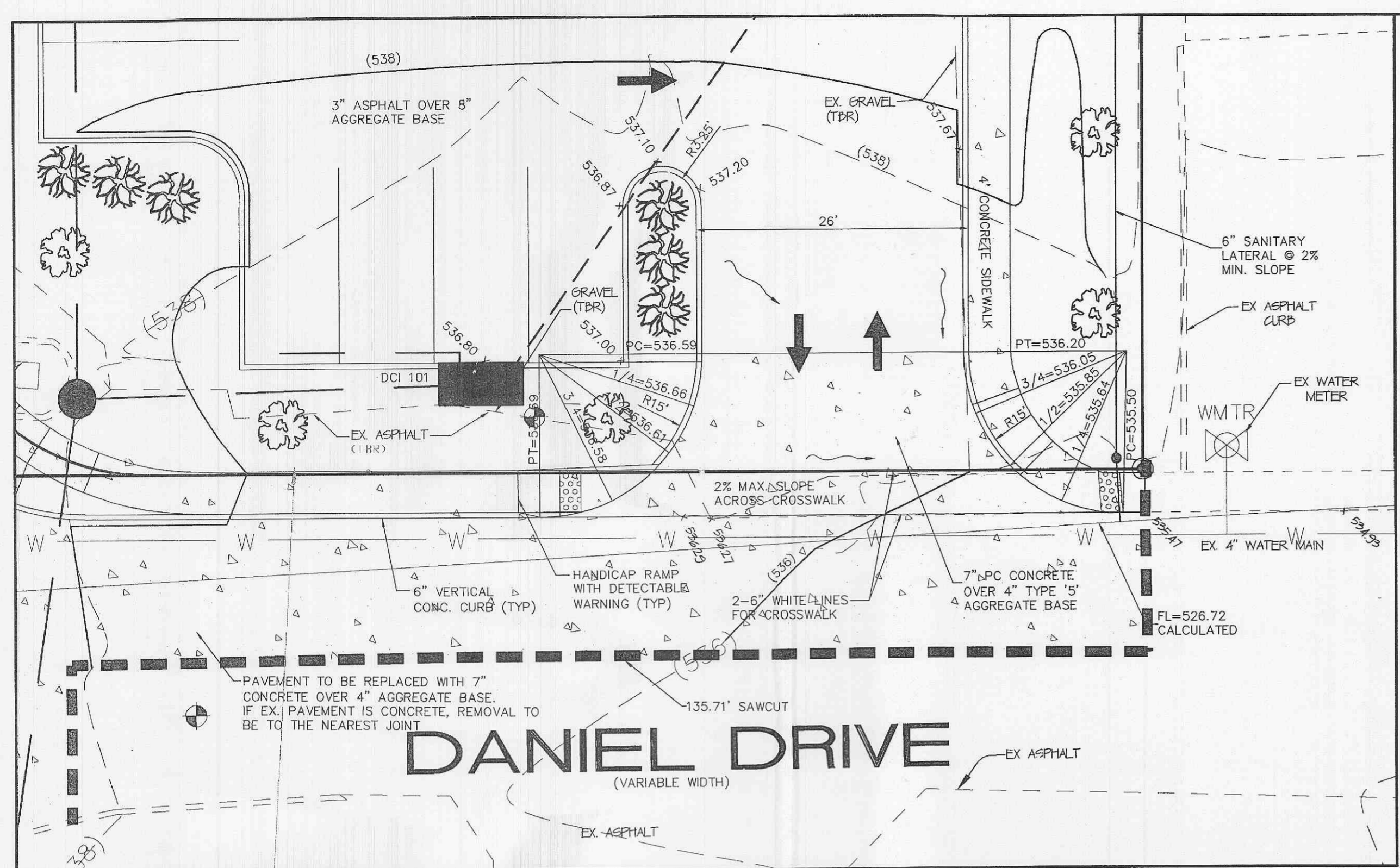
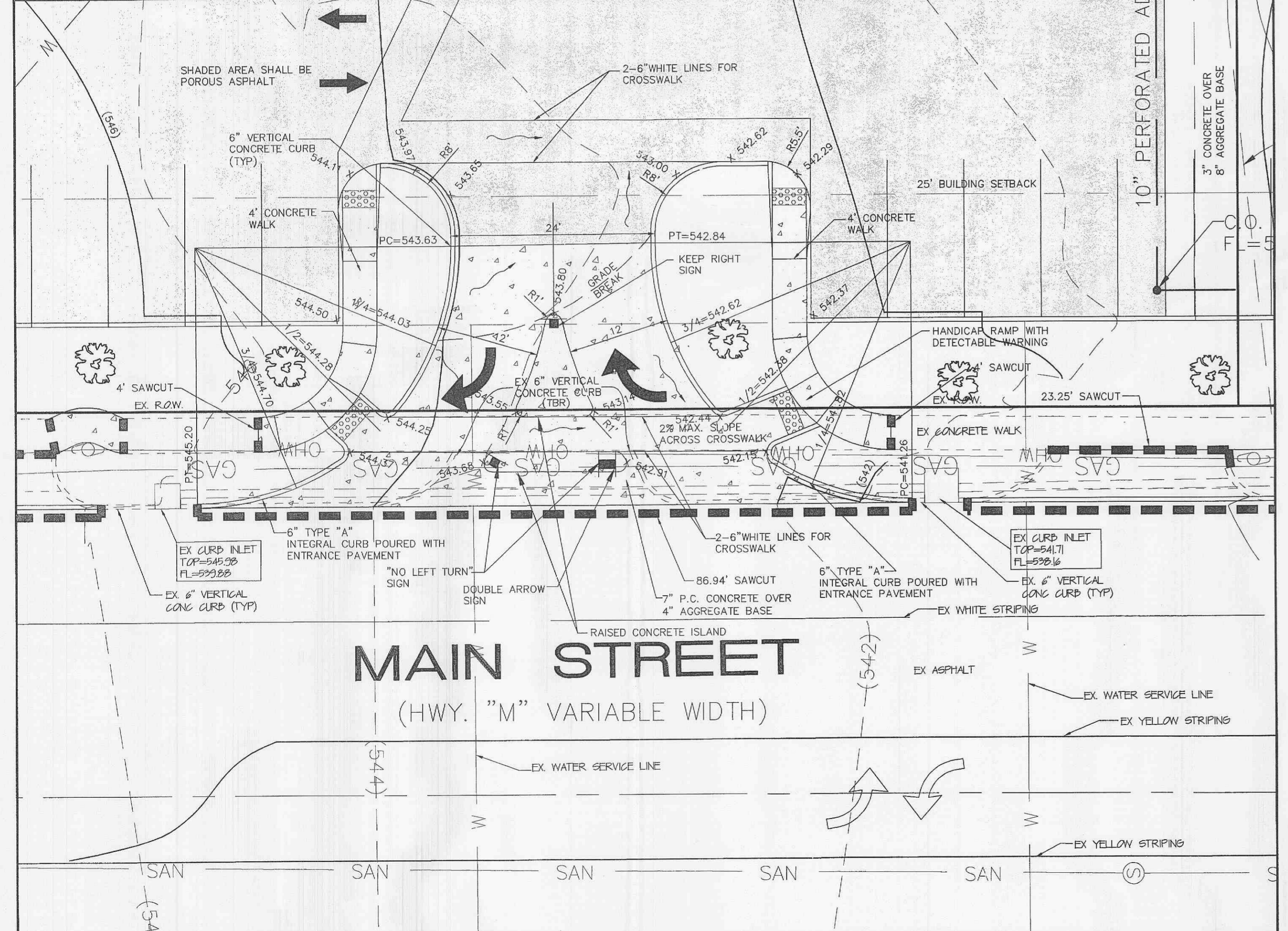


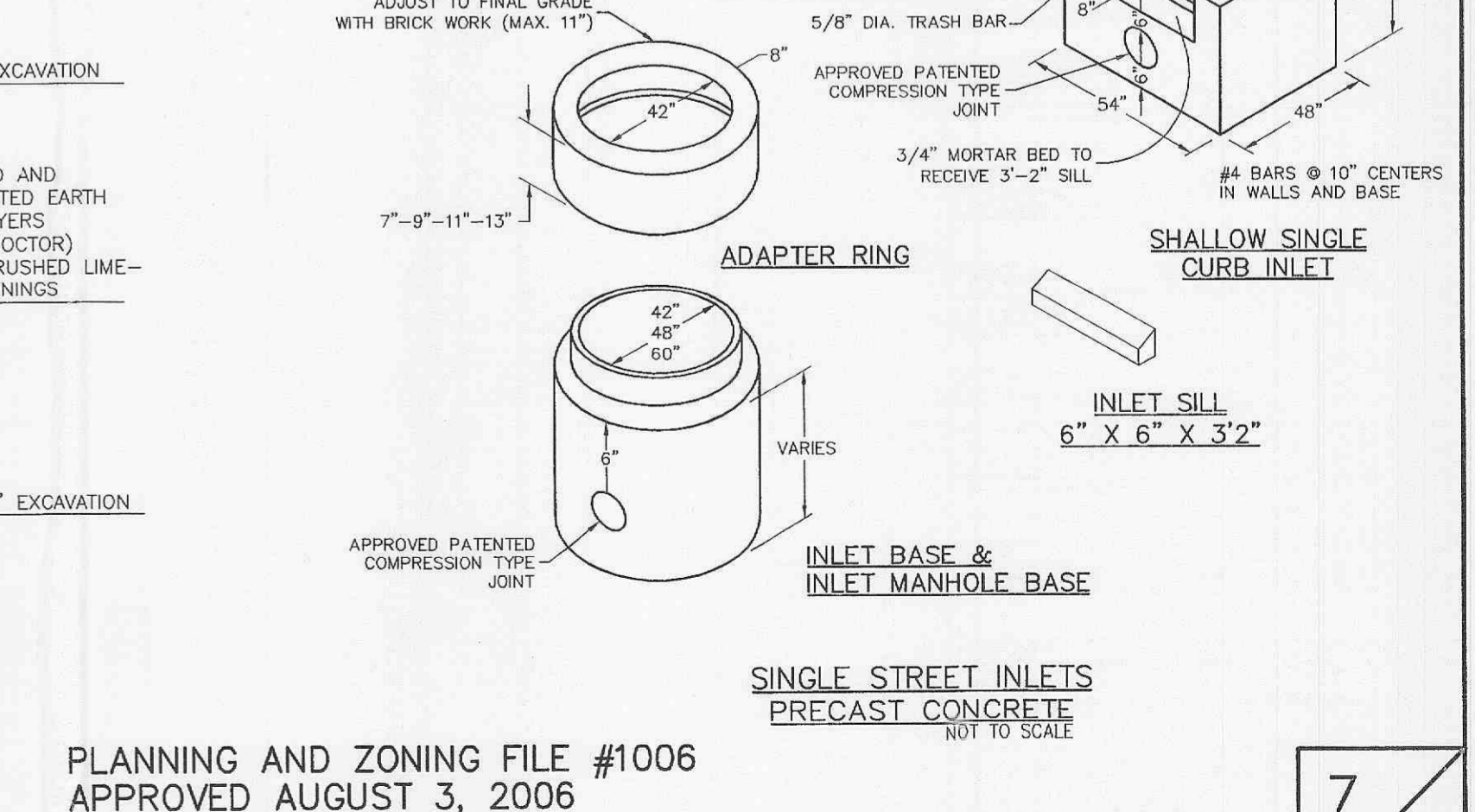
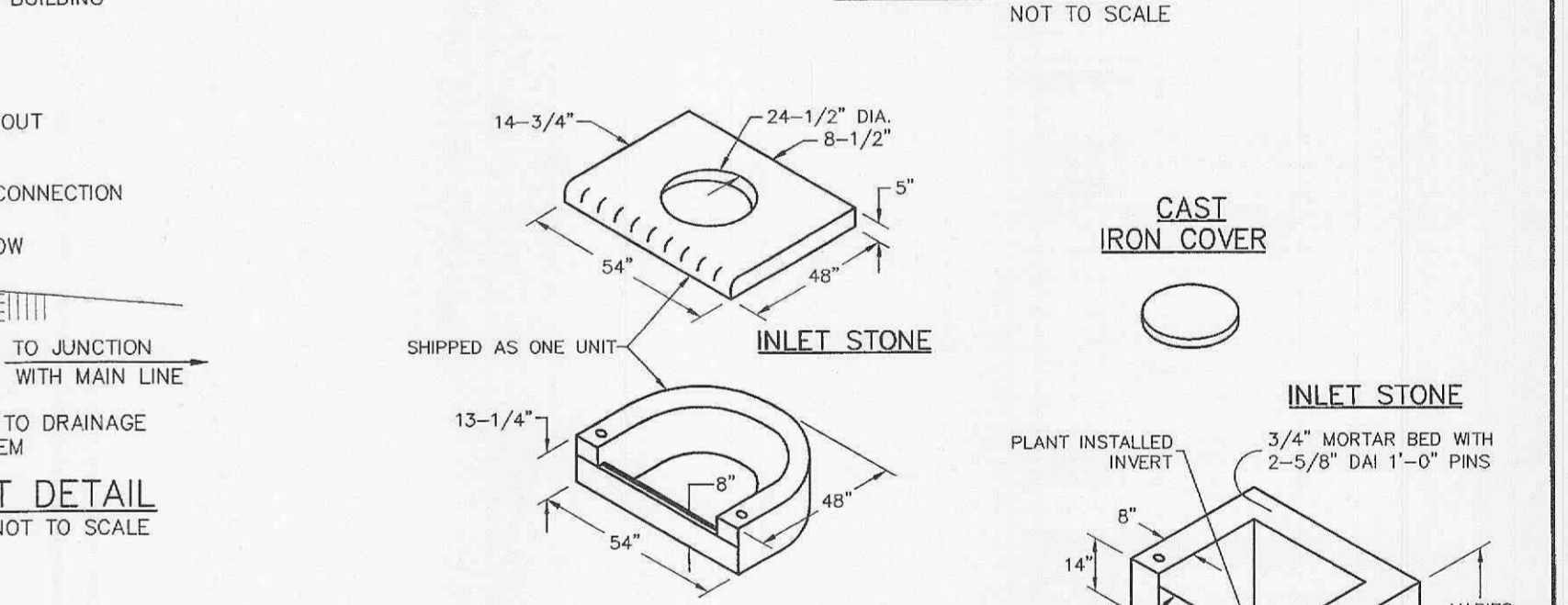
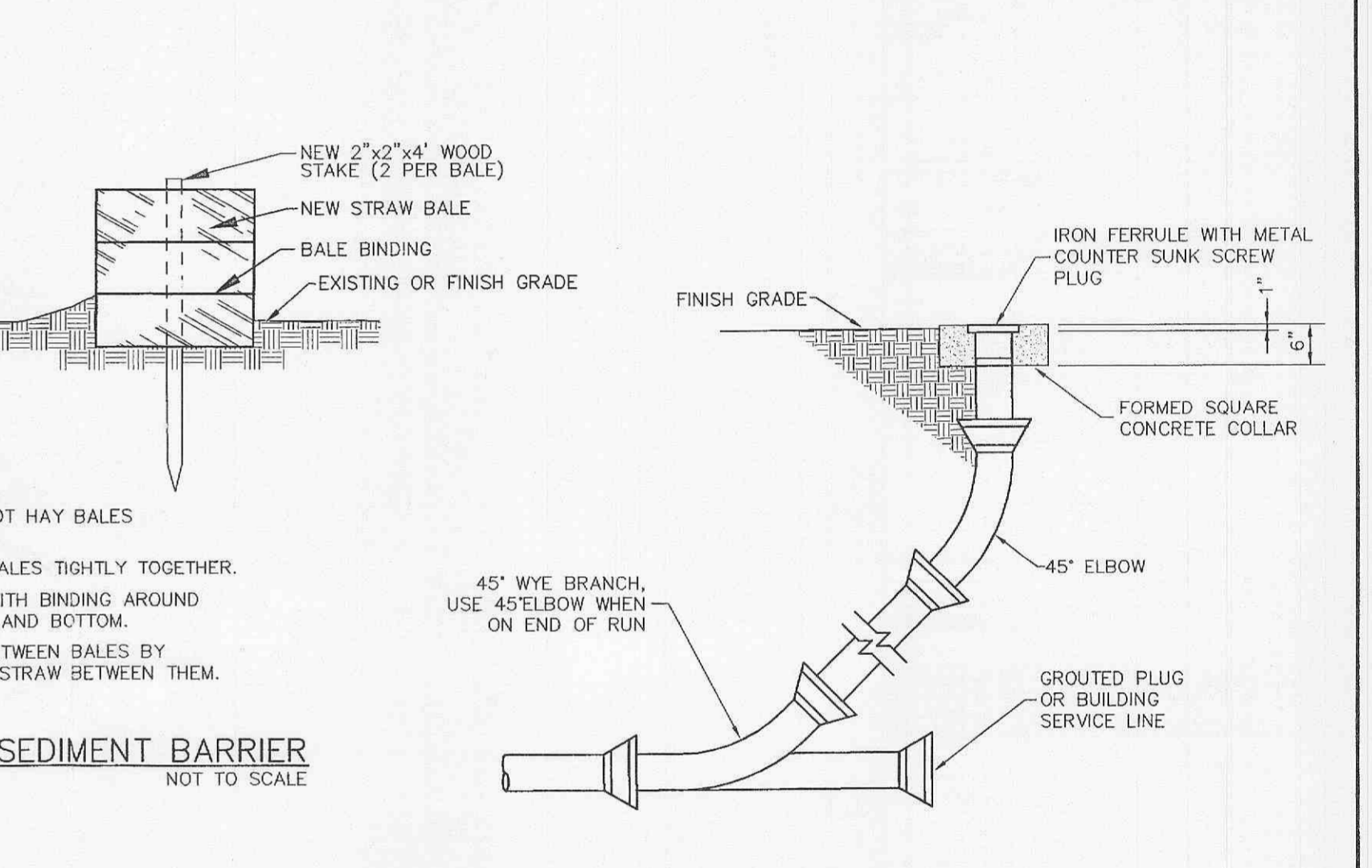
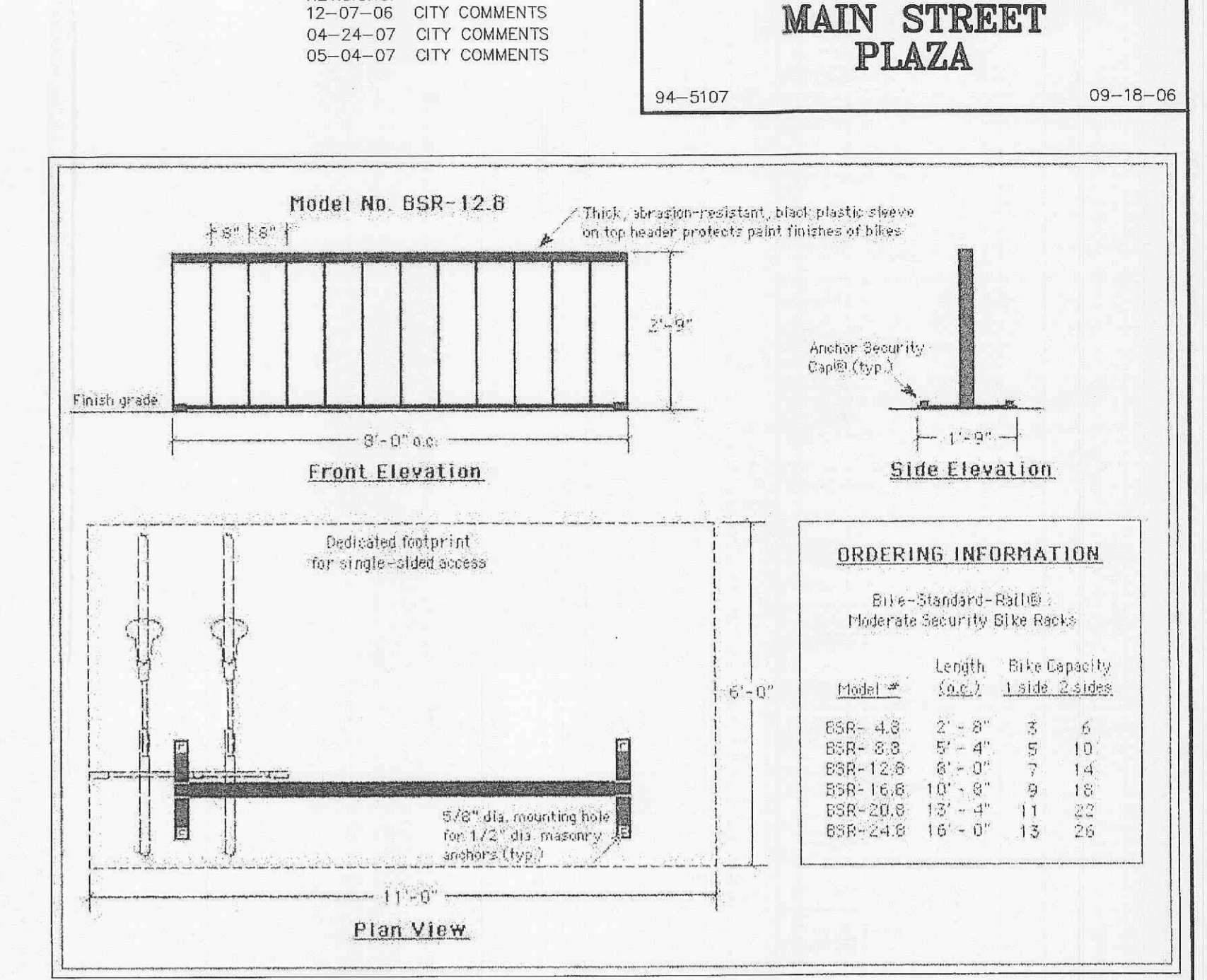
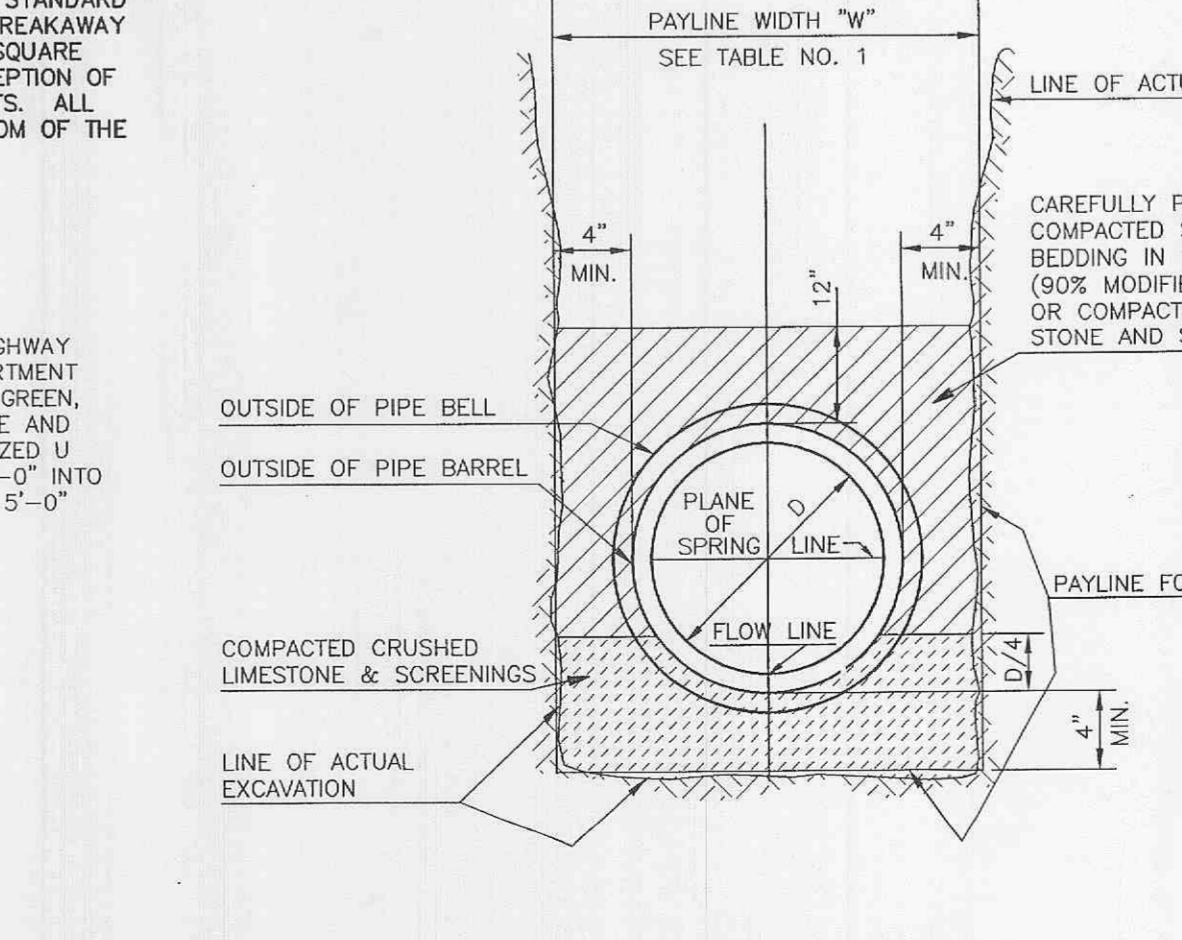
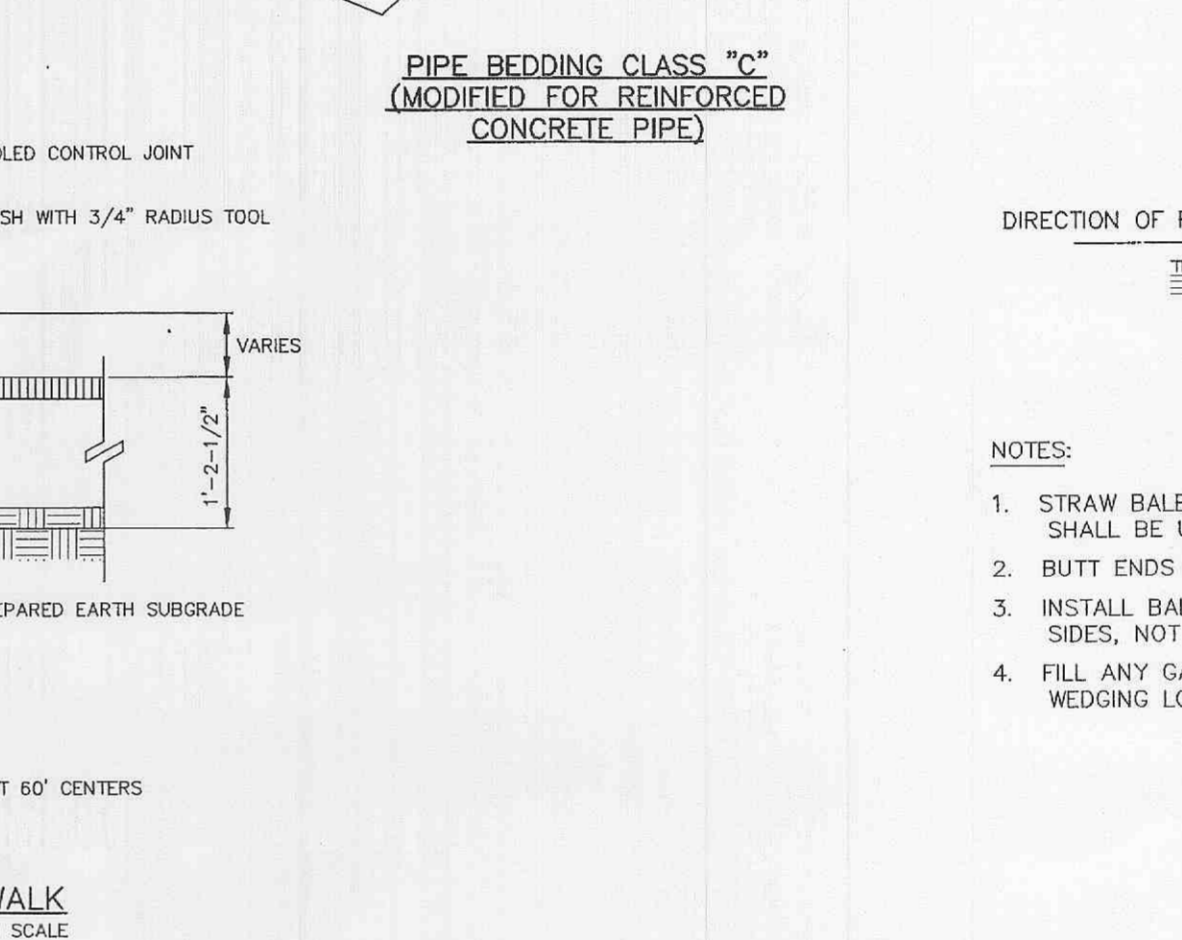
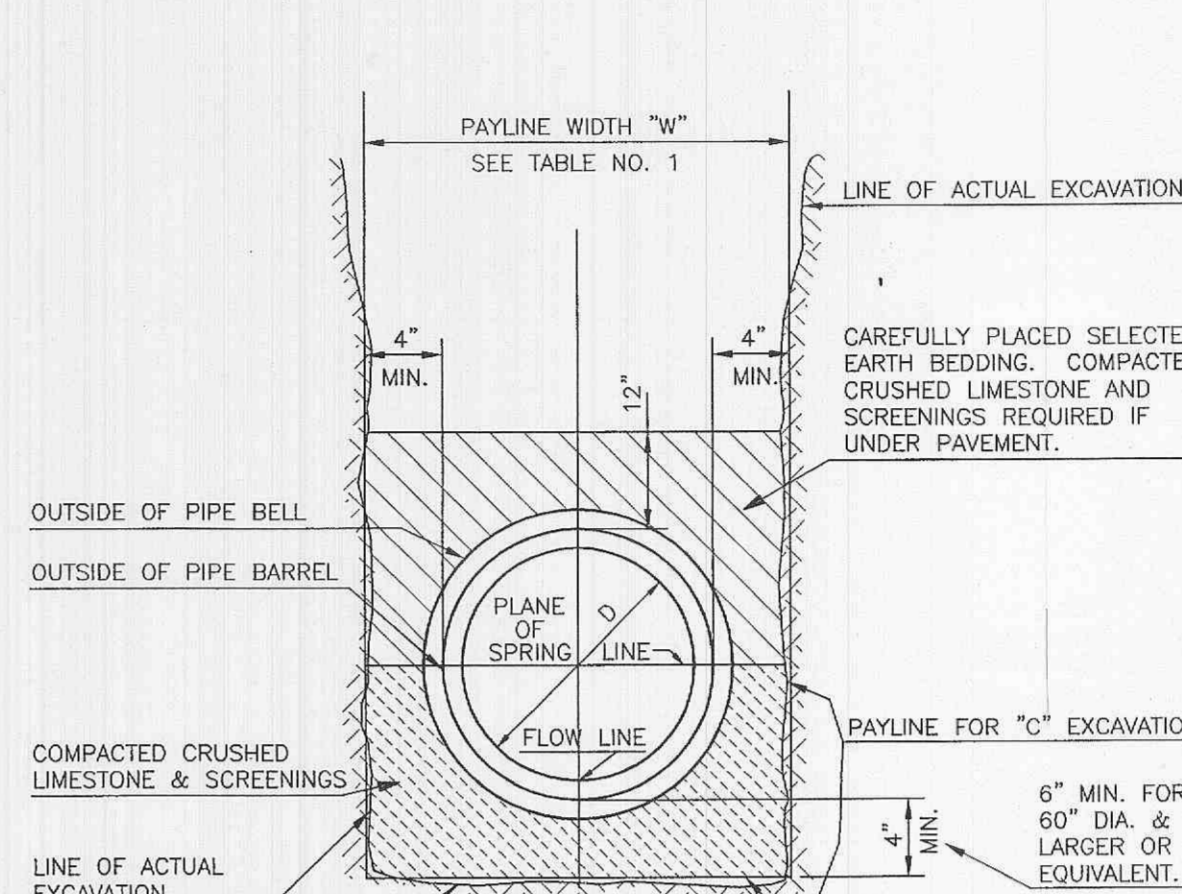
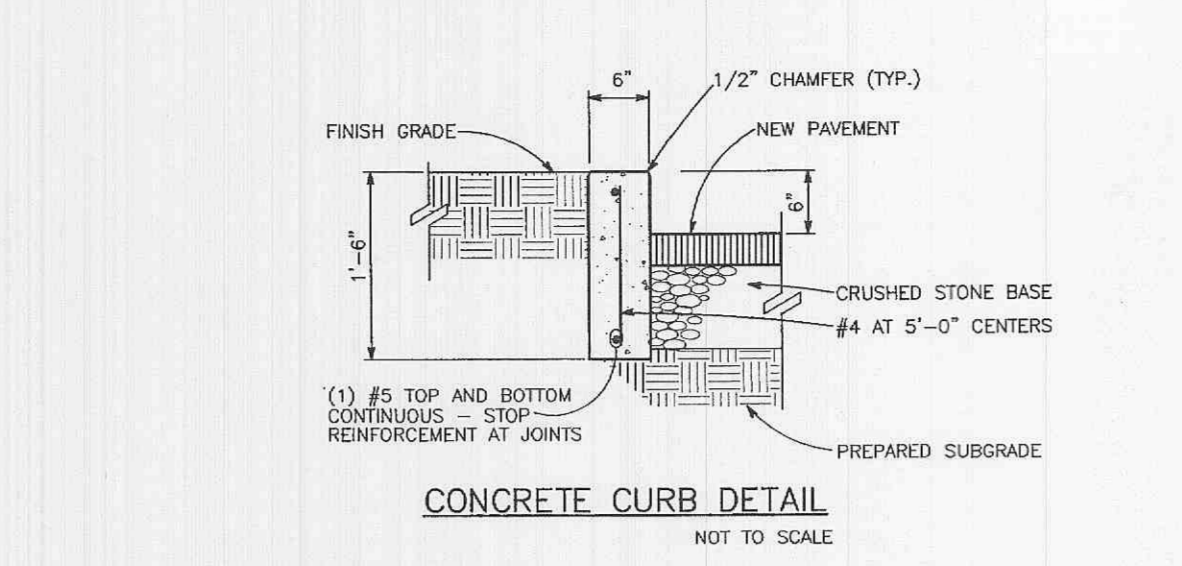
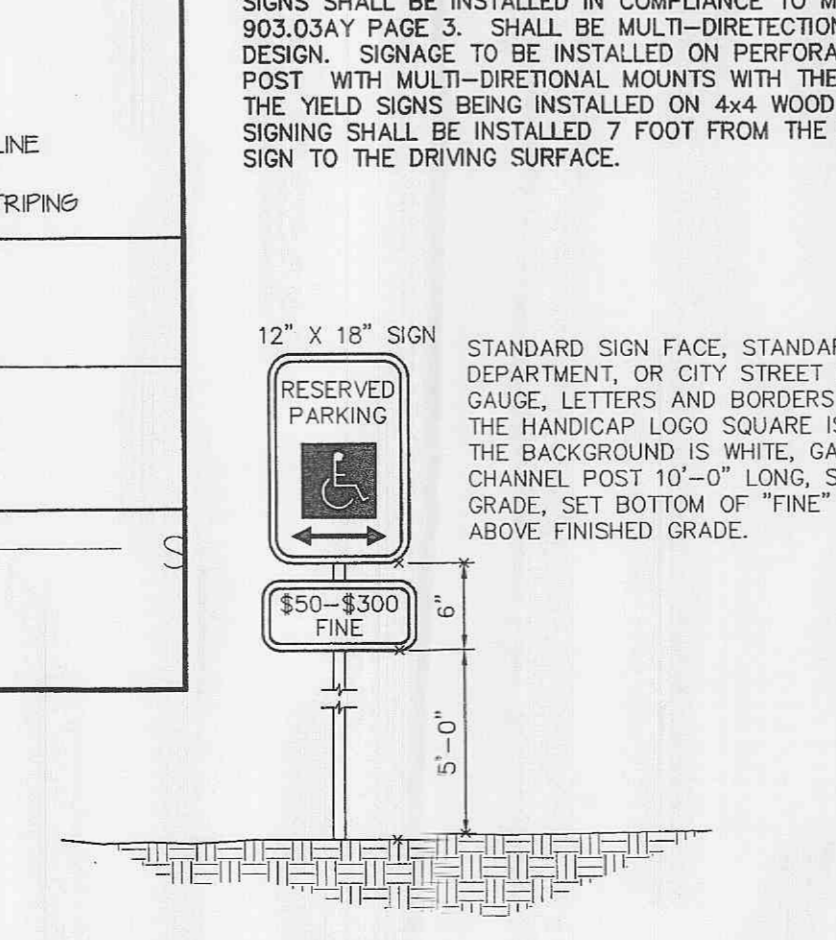
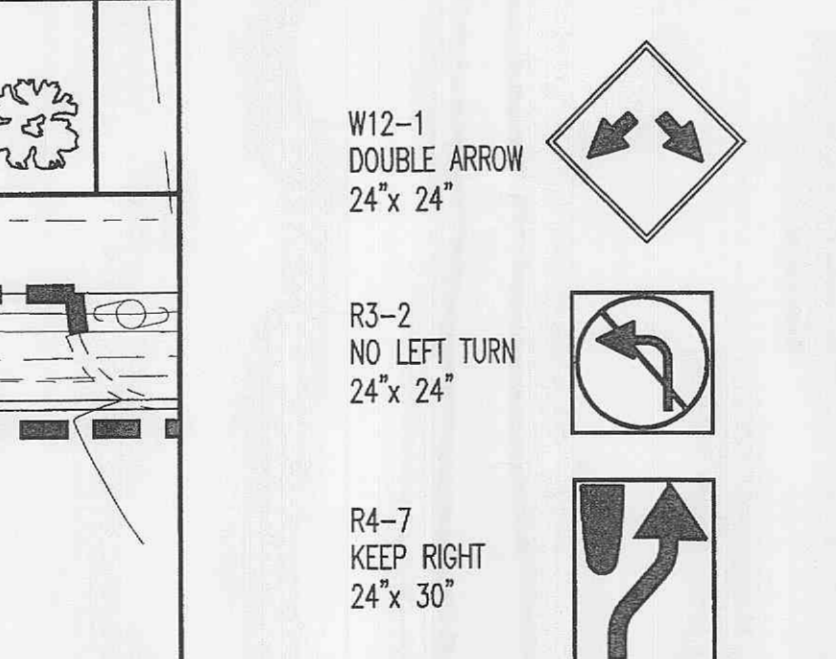
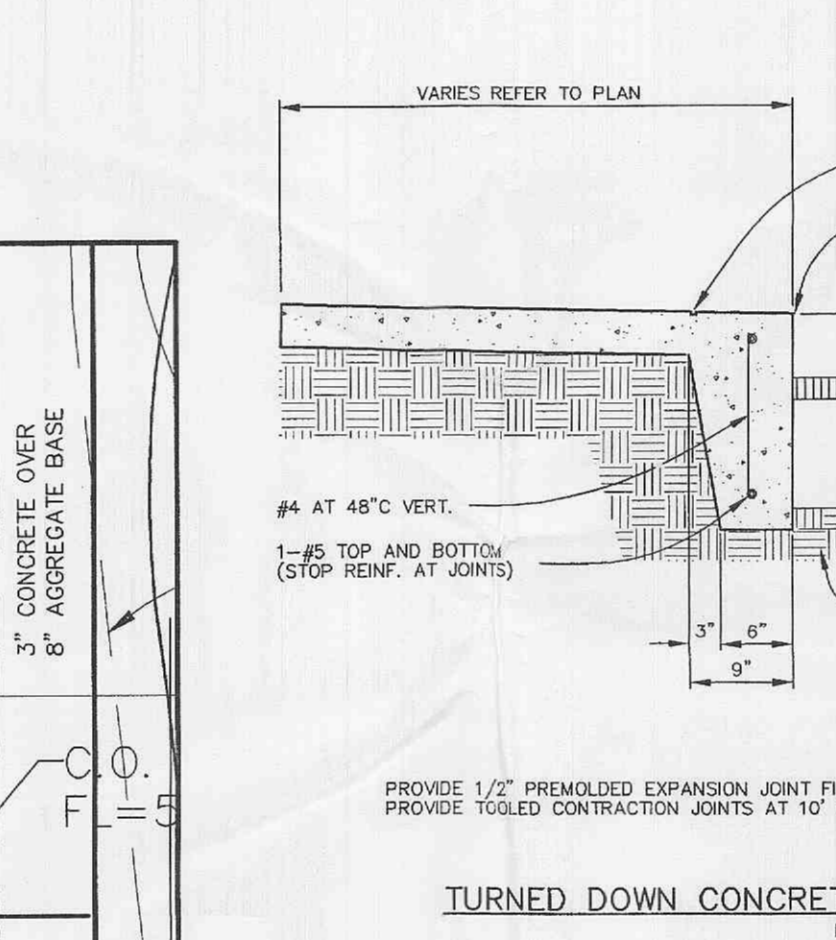
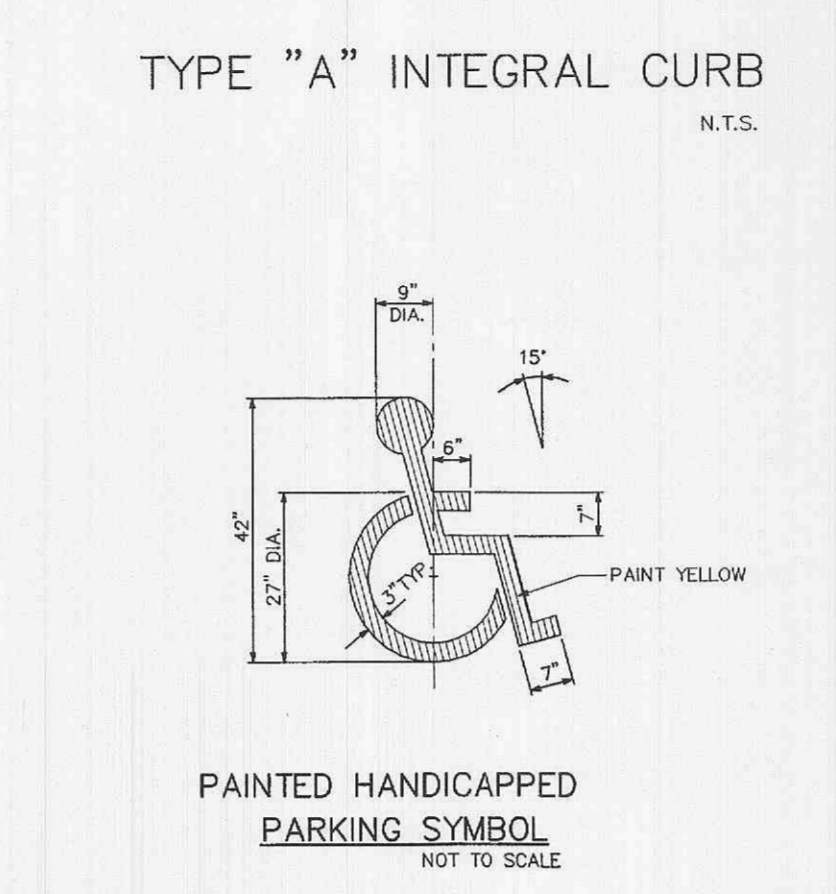
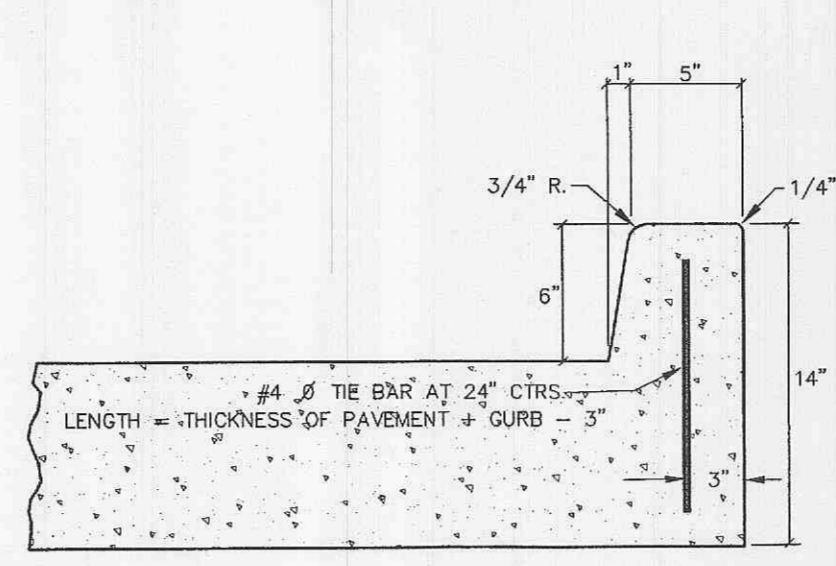
REVISIONS:  
12-07-06 CITY COMMENTS  
04-24-07 CITY COMMENTS  
05-04-07 CITY COMMENTS



- \* ALL SPOTS ARE TO TOP OF PAVEMENT UNLESS OTHERWISE NOTED
- \* ALL ROADWAYS SHALL BE KEPT CLEAR OF MUD AND DEBRIS AT ALL TIMES
- \* ALL PAVEMENT REMOVAL IS TO BE TO NEAREST JOINT
- \* ALL TRAFFIC CONTROL TO BE PER MUTCD.



- \* ALL SPOTS ARE TO TOP OF PAVEMENT UNLESS OTHERWISE NOTED
- \* ALL ROADWAYS SHALL BE KEPT CLEAR OF MUD AND DEBRIS AT ALL TIMES
- \* ALL PAVEMENT REMOVAL IS TO BE TO NEAREST JOINT
- \* ALL TRAFFIC CONTROL TO BE PER MUTCD.



PLANNING AND ZONING FILE #1006 APPROVED AUGUST 3, 2006

UNDERGROUND UTILITIES HAVE BEEN PLOTTED FROM AVAILABLE INFORMATION AND THEREFORE THEIR LOCATIONS SHALL BE CONSIDERED APPROXIMATE ONLY. THE VERIFICATION OF THE LOCATION OF ALL UNDERGROUND UTILITIES, EITHER SHOWN OR NOT SHOWN ON THESE PLANS SHALL BE THE RESPONSIBILITY OF THE CONTRACTOR, AND SHALL BE LOCATED PRIOR TO ANY GRADING OR CONSTRUCTION OF THE IMPROVEMENTS.