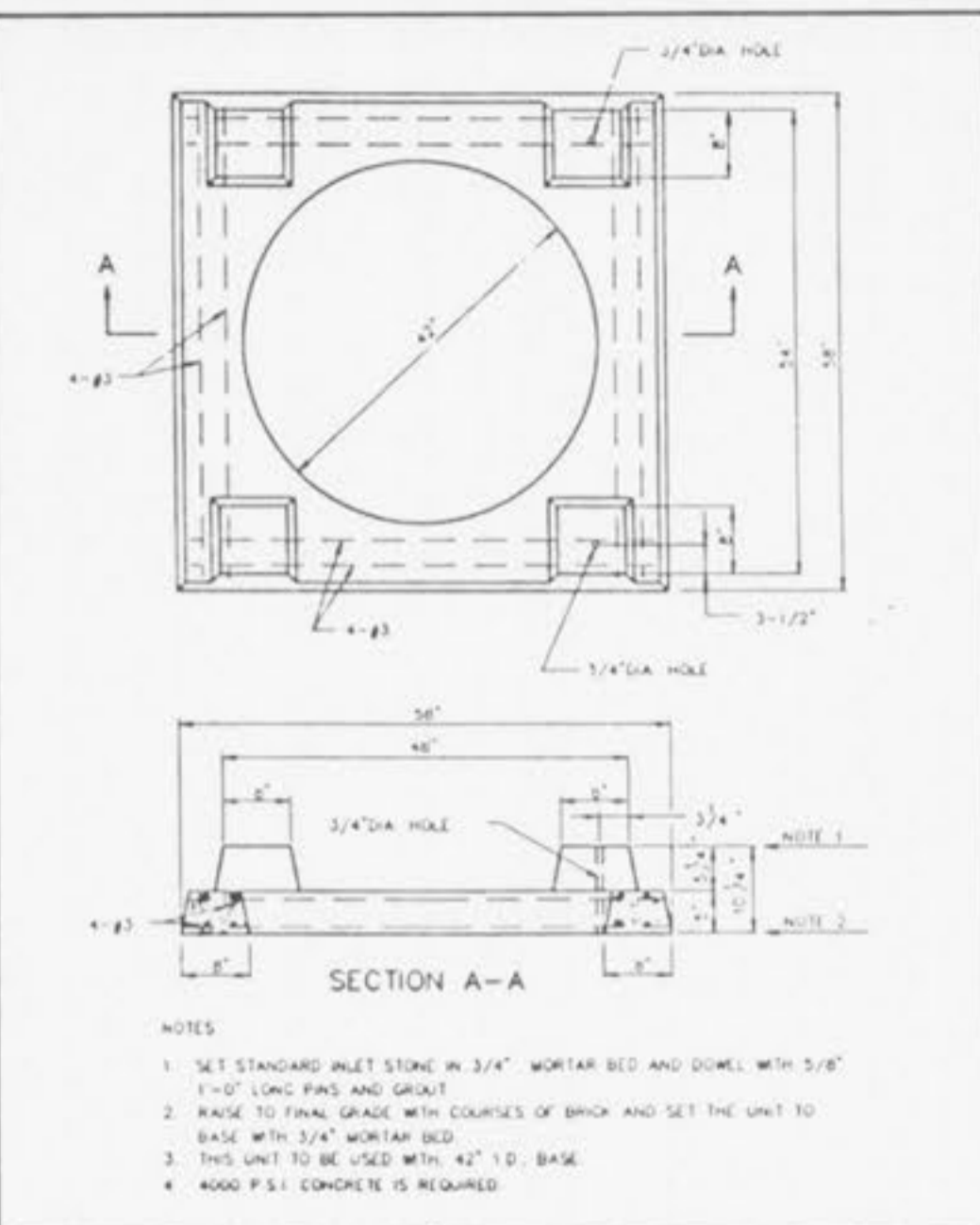
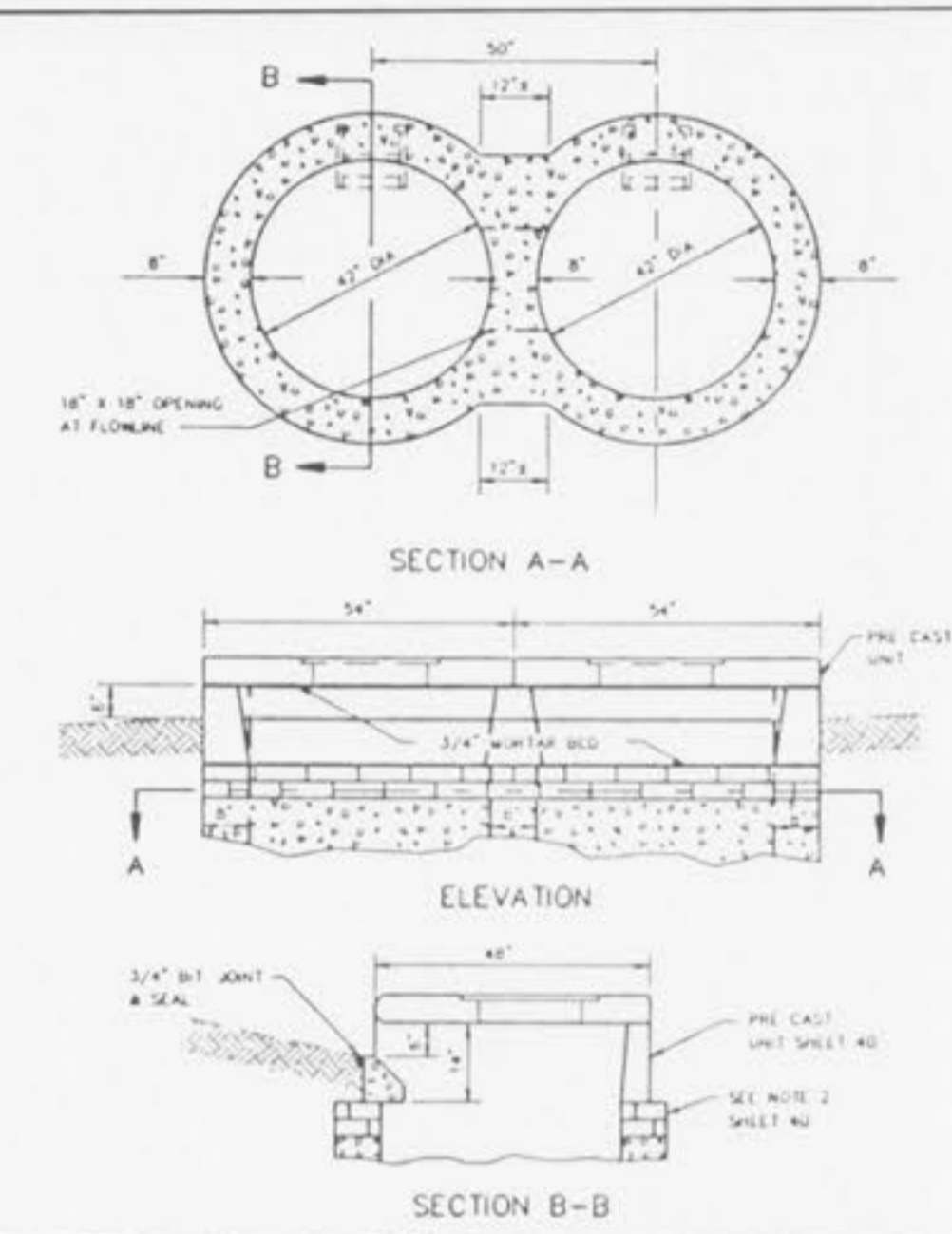


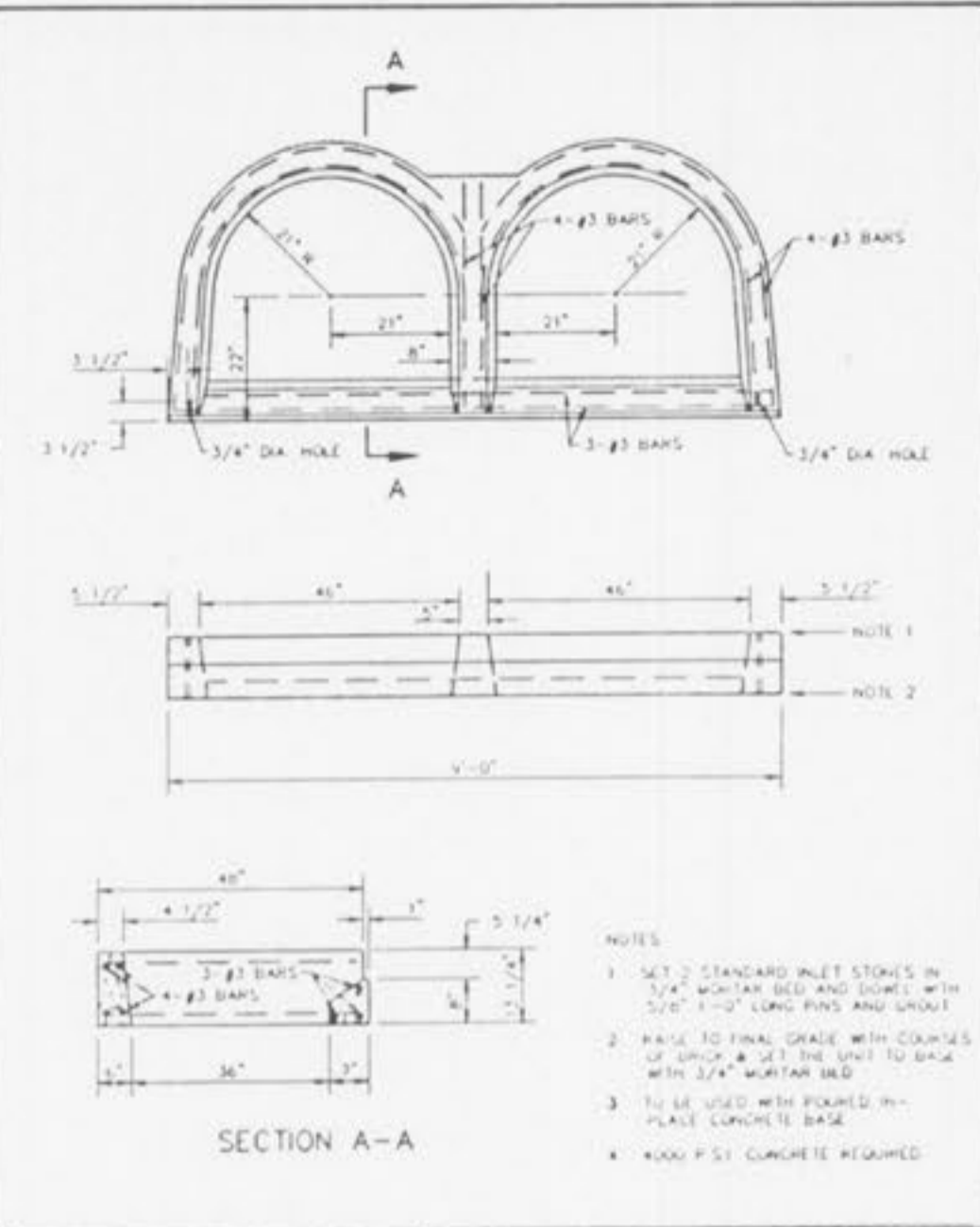
PRE-CAST CONCRETE UNIT FOR SINGLE STREET INLET  
METROPOLITAN ST. LOUIS SEWER DISTRICT Standard Details of Sewer Construction  
Dr. R.C.W. Ch. J.C.K. 1992 SHEET 37



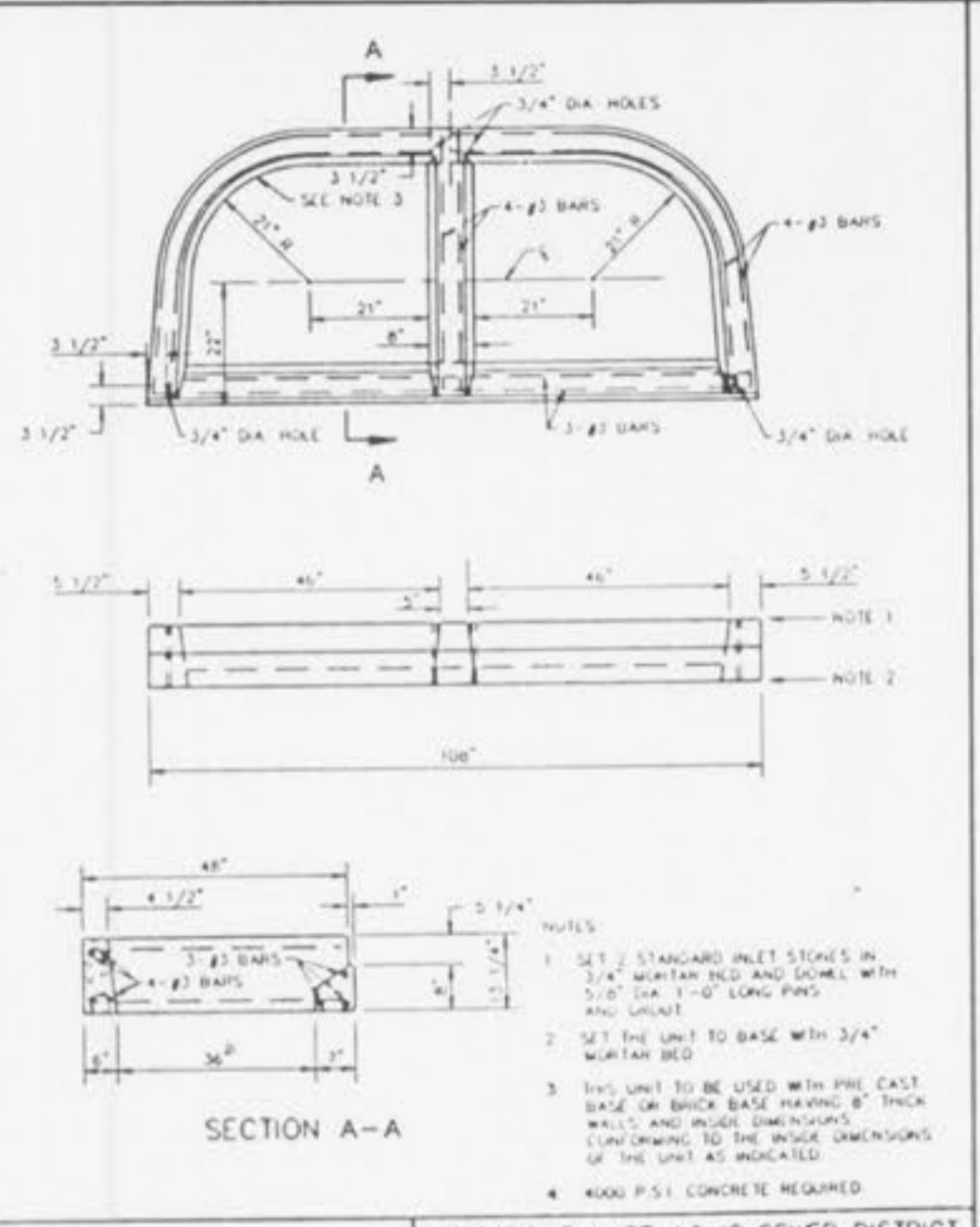
PRE-CAST CONCRETE UNIT FOR 4 WAY AREA INLET  
METROPOLITAN ST. LOUIS SEWER DISTRICT Standard Details of Sewer Construction  
Dr. D.A.B. Ch. J.C.K. 1992 SHEET 38



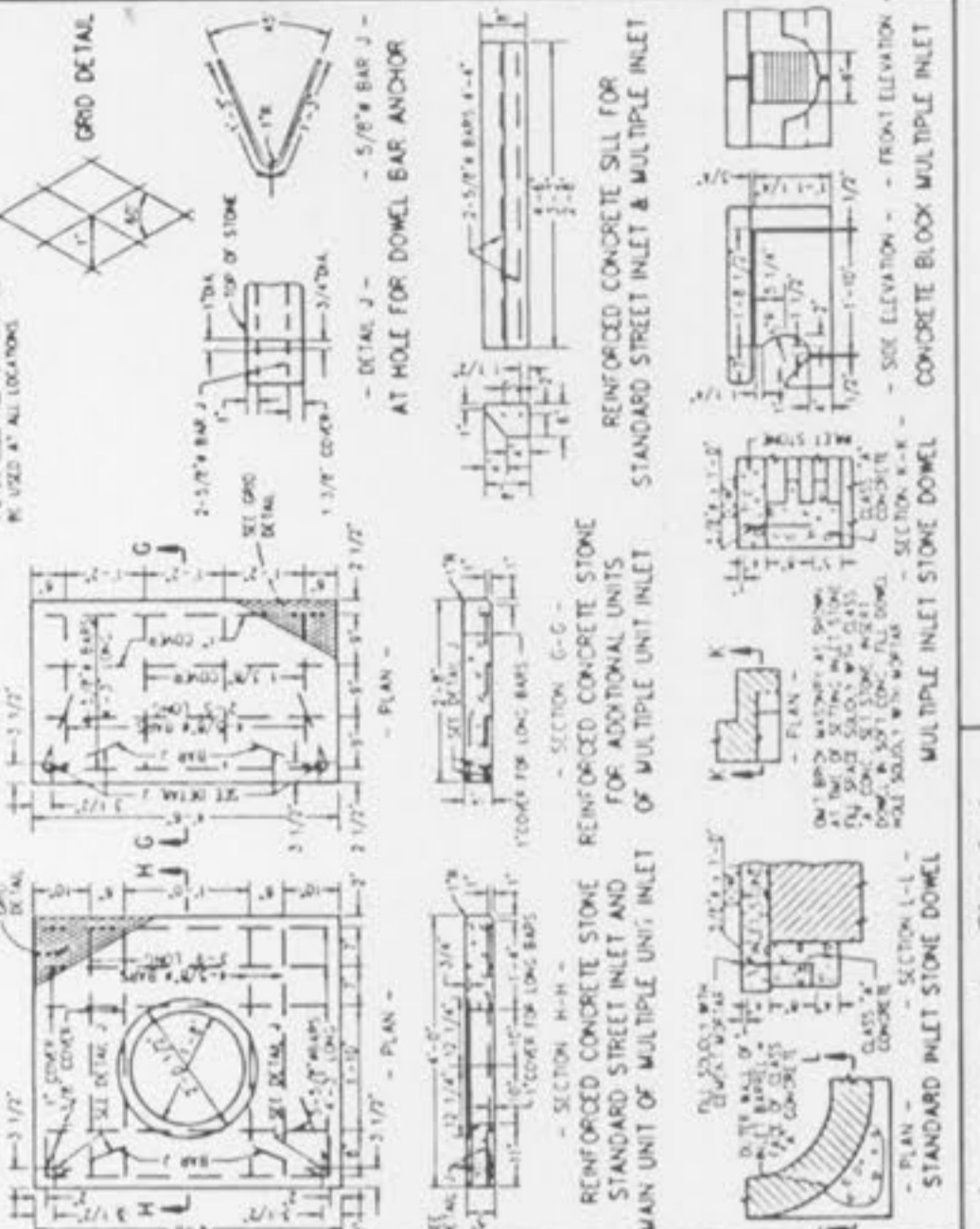
CONCRETE DOUBLE STREET INLET W/PRE CAST CONCRETE UNIT A  
METROPOLITAN ST. LOUIS SEWER DISTRICT Standard Details of Sewer Construction  
Dr. R.C.W. Ch. J.C.K. 1992 SHEET 39



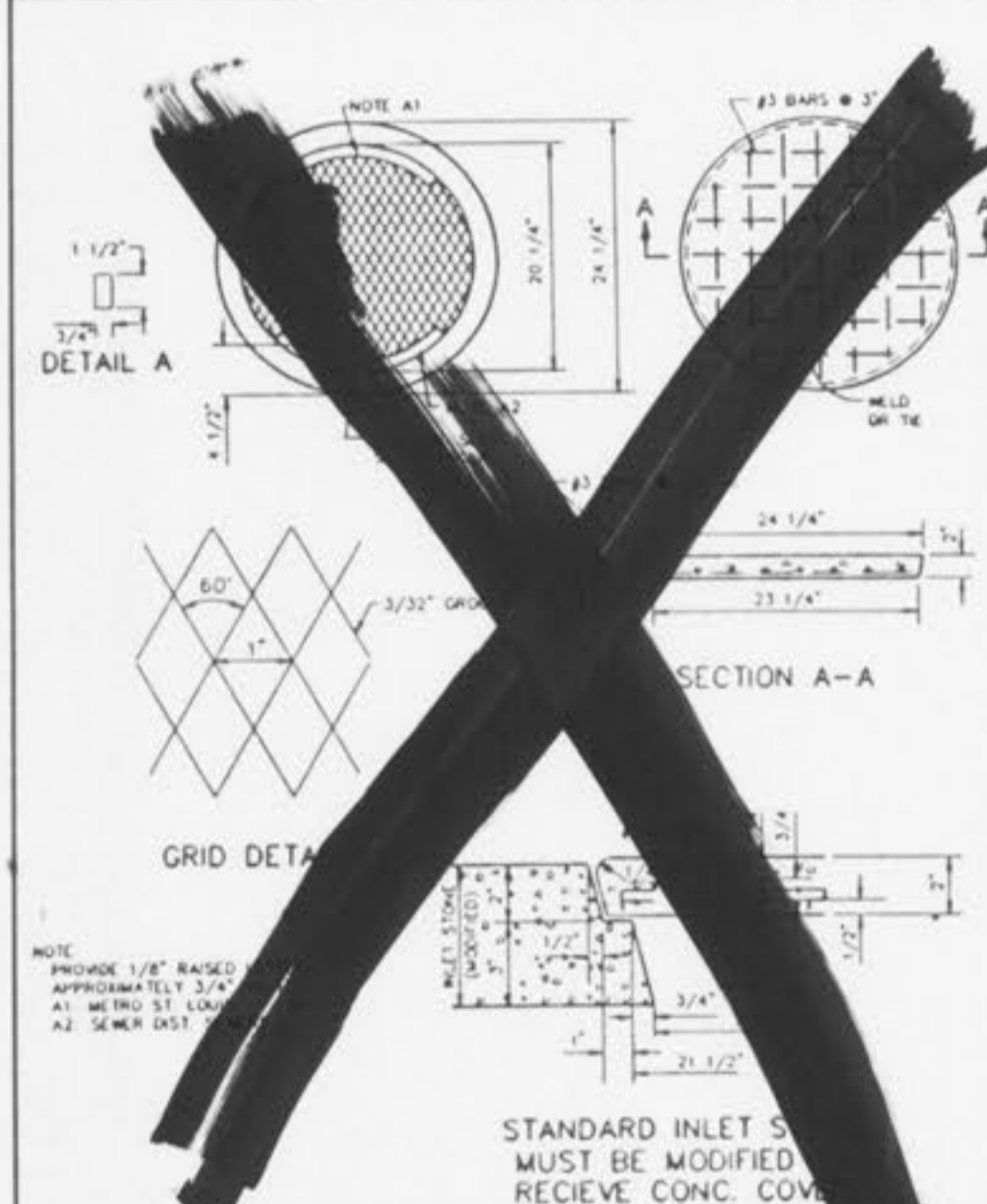
PRE-CAST CONCRETE UNIT A FOR STREET DOUBLE INLET  
METROPOLITAN ST. LOUIS SEWER DISTRICT Standard Details of Sewer Construction  
Dr. R.C.W. Ch. J.C.K. 1992 SHEET 40



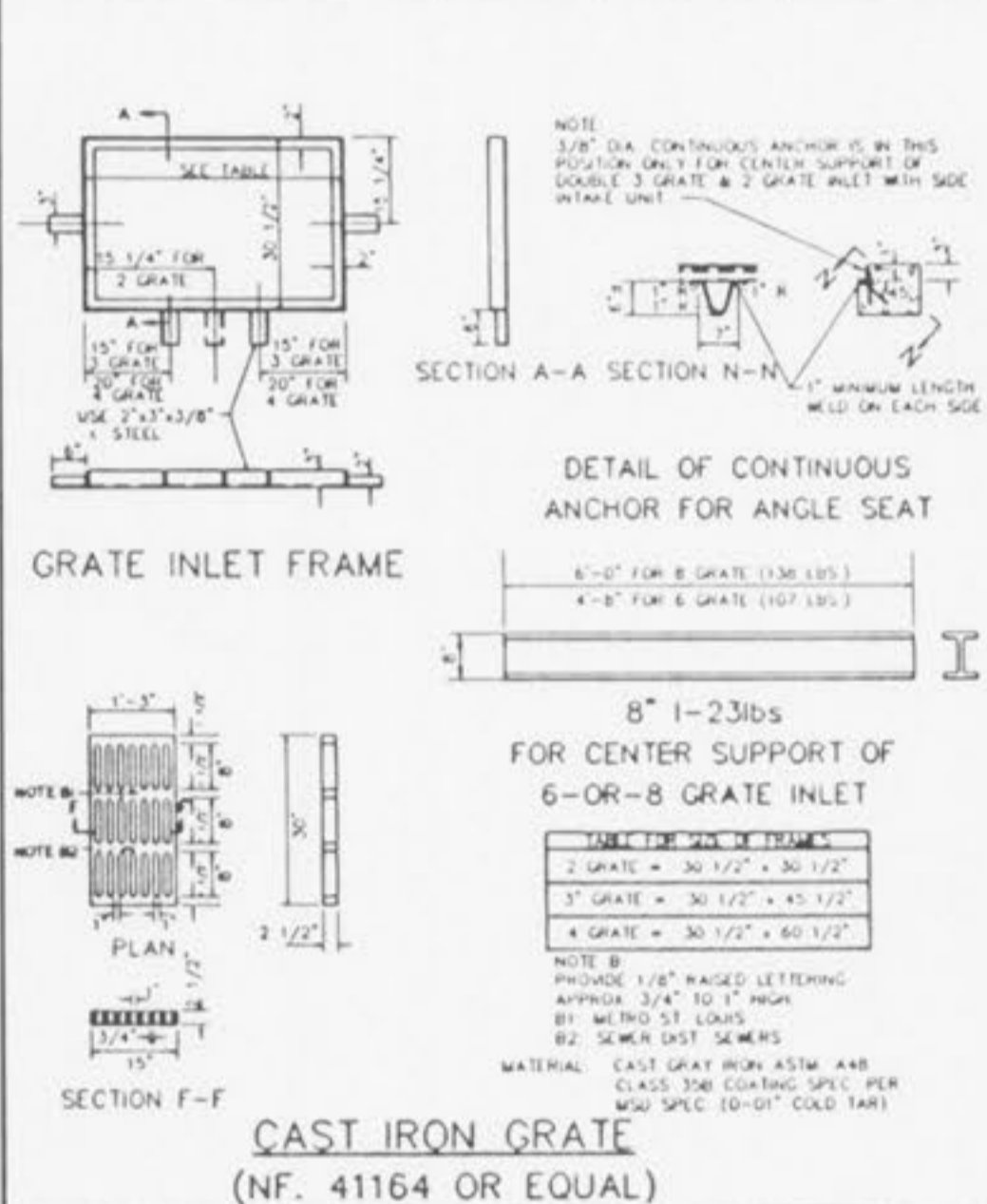
PRE-CAST CONCRETE UNIT B FOR STREET DOUBLE INLET  
METROPOLITAN ST. LOUIS SEWER DISTRICT Standard Details of Sewer Construction  
Dr. R.C.W. Ch. J.C.K. 1992 SHEET 41



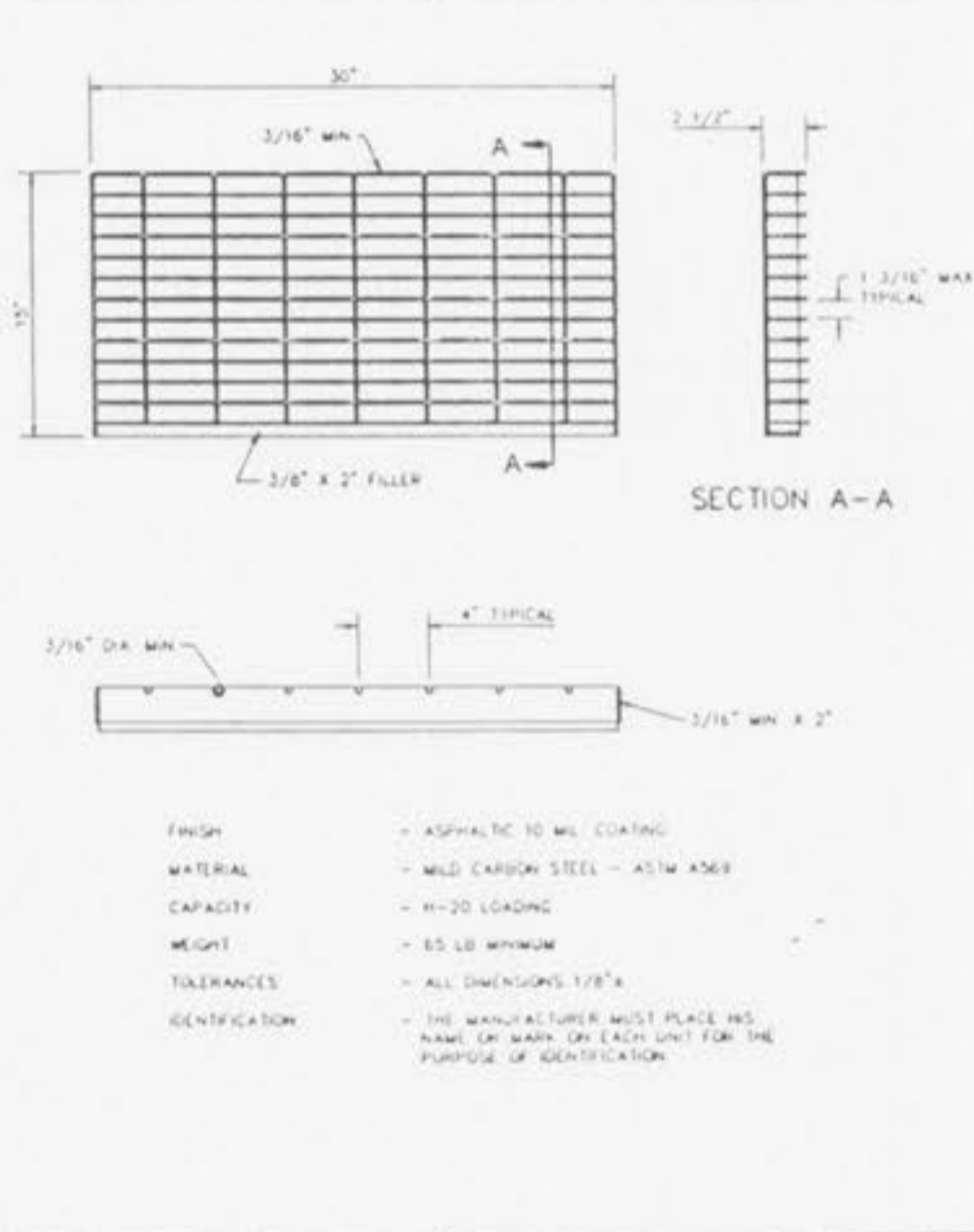
STANDARD - INLET STONES, BLOCKS & DESIGN DETAILS  
METROPOLITAN ST. LOUIS SEWER DISTRICT Standard Details of Sewer Construction  
Dr. W.S.H. Ch. J.C.K. 1992 SHEET 42



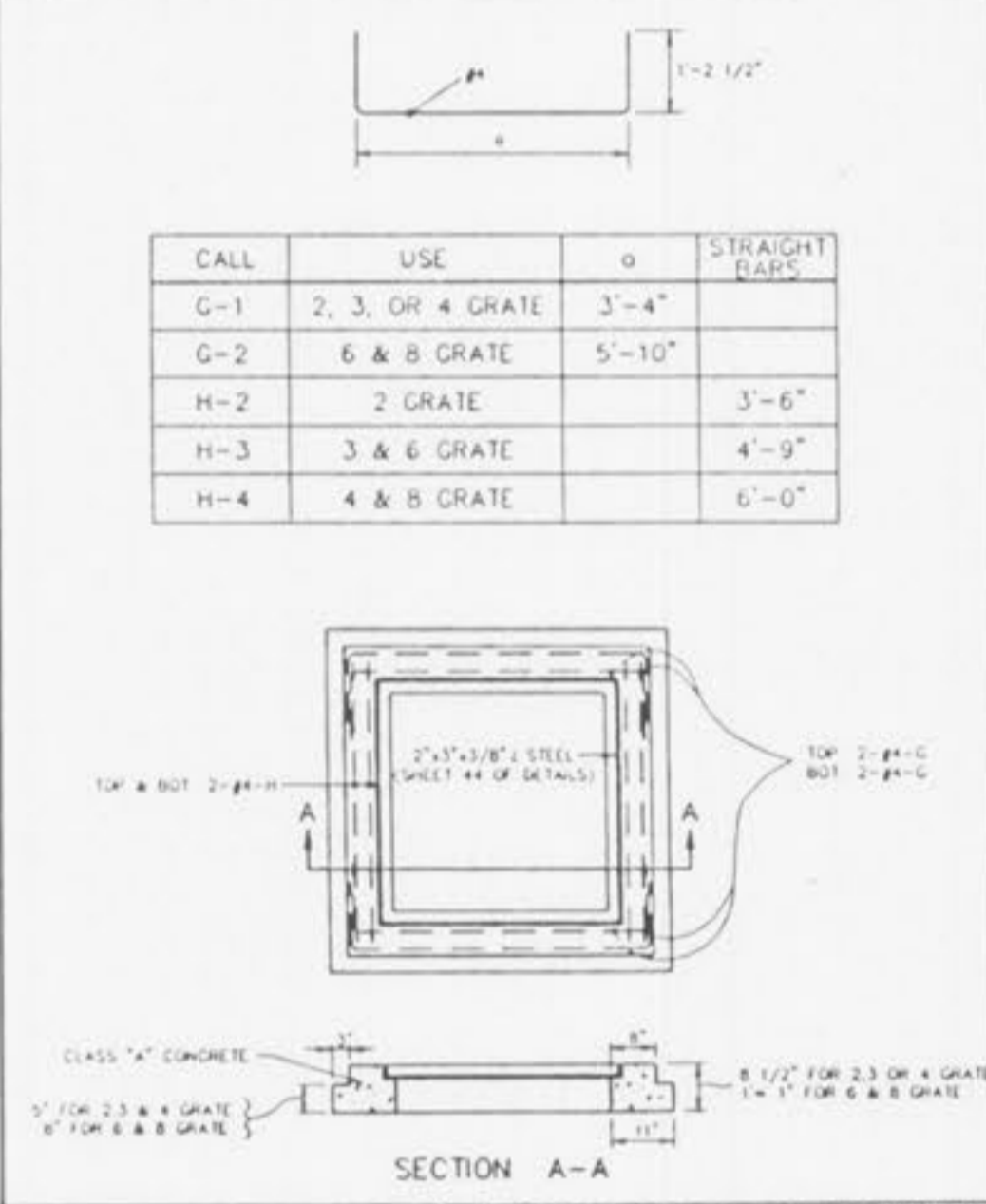
PRE-CAST CONCRETE INLET COVER  
METROPOLITAN ST. LOUIS SEWER DISTRICT Standard Details of Sewer Construction  
Dr. R.C.W. Ch. J.C.K. 1992 SHEET 43



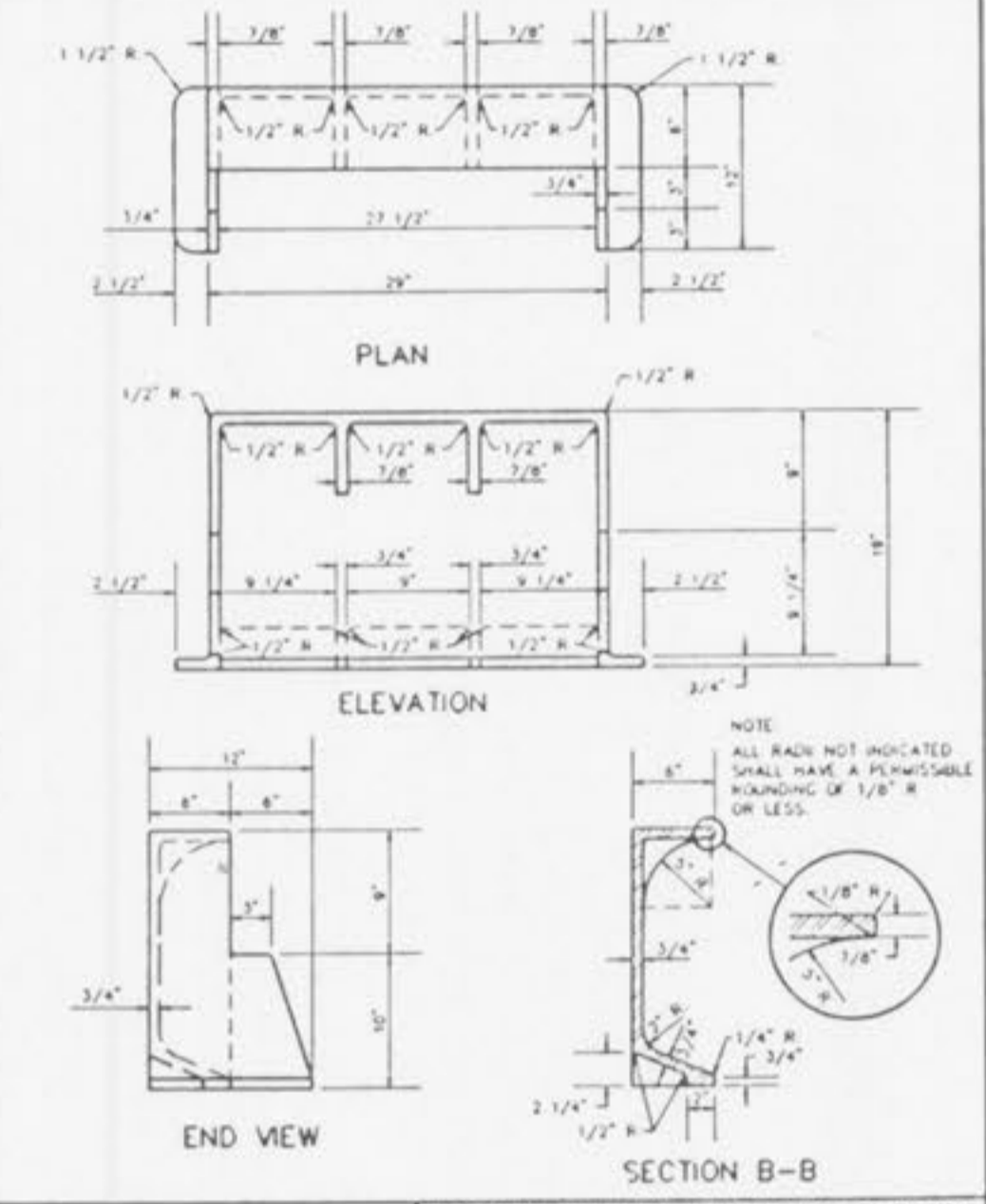
DETAILS OF INLET FRAME AND GRATES  
METROPOLITAN ST. LOUIS SEWER DISTRICT Standard Details of Sewer Construction  
Dr. R.C.W. Ch. J.C.K. 1992 SHEET 44



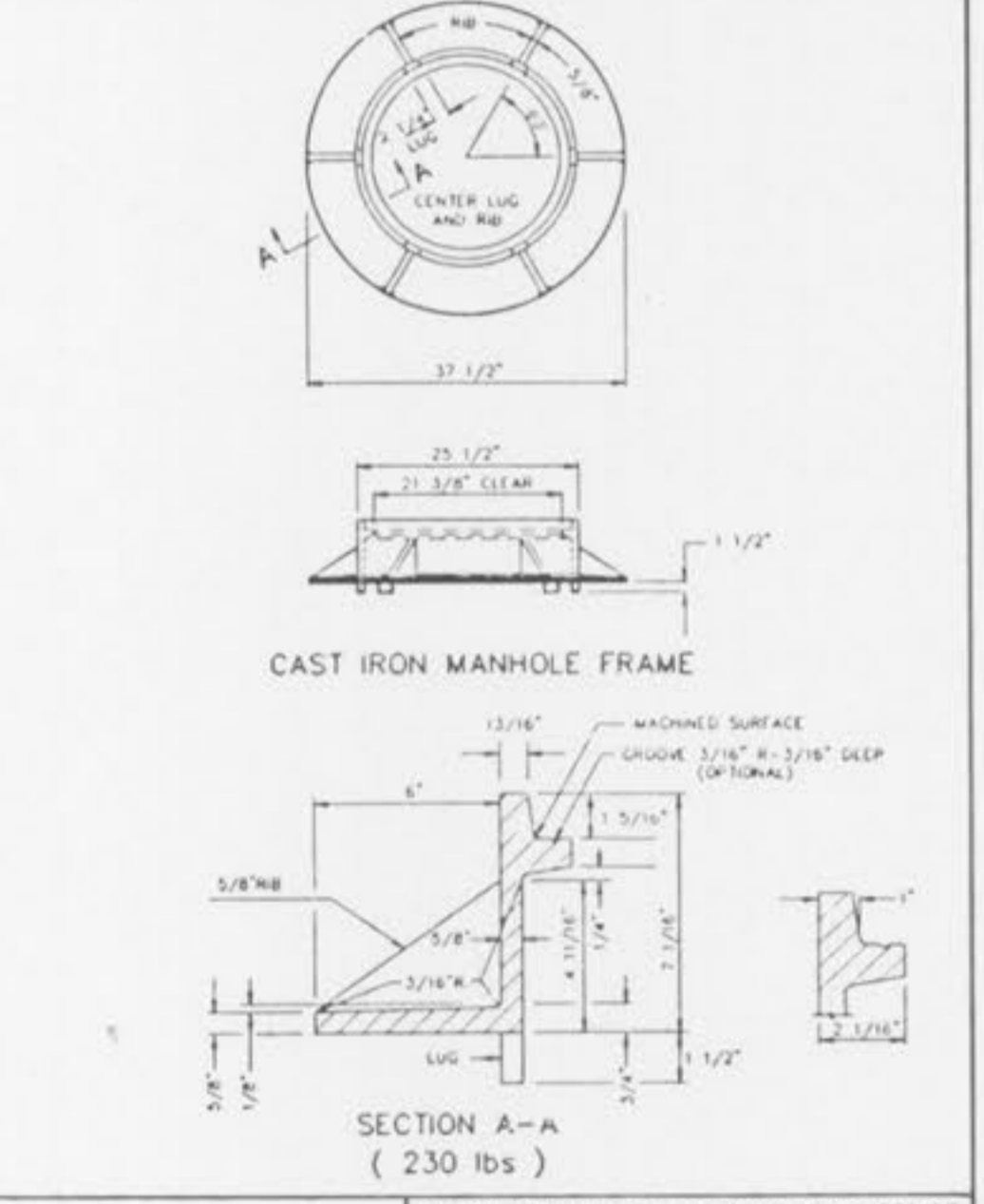
DETAIL OF STEEL GRATE  
METROPOLITAN ST. LOUIS SEWER DISTRICT Standard Details of Sewer Construction  
Dr. R.C.W. Ch. J.C.K. 1992 SHEET 45



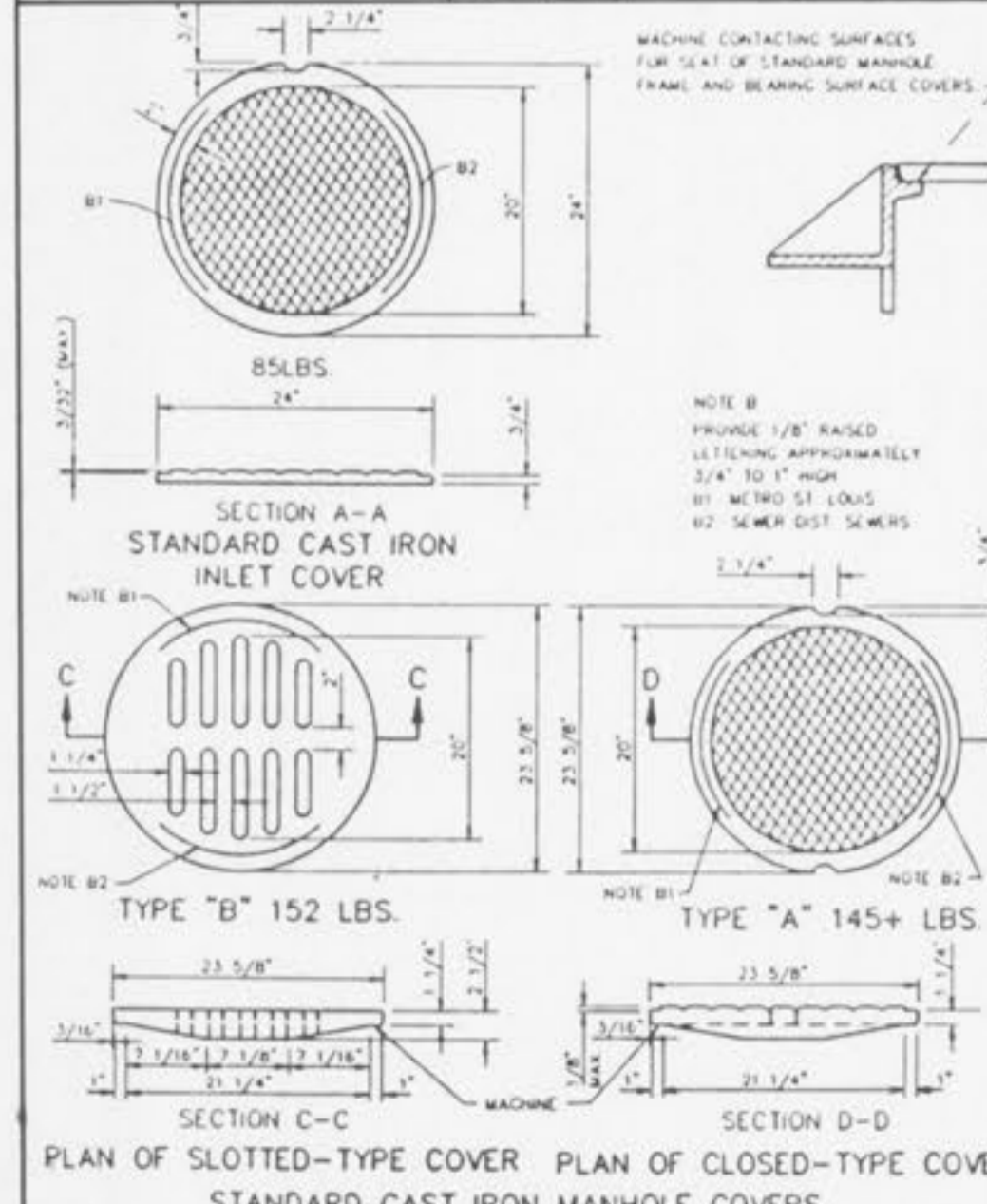
STEEL REQUIREMENTS FOR GRATE INLET SEAT  
METROPOLITAN ST. LOUIS SEWER DISTRICT Standard Details of Sewer Construction  
Dr. W.S.H. Ch. J.C.K. 1992 SHEET 46



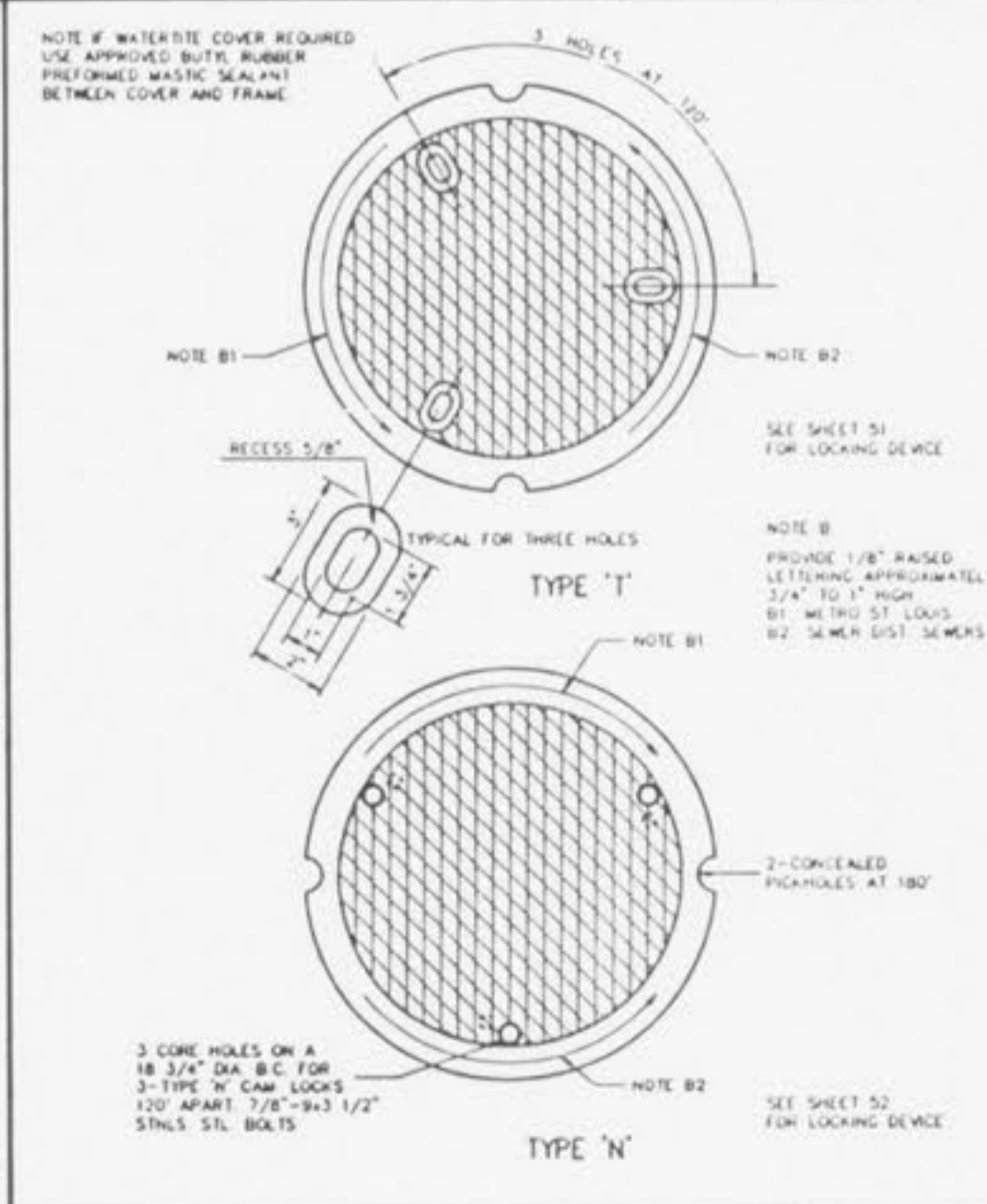
CAST IRON SIDE INTAKE UNIT FOR GRATE INLETS 249 LBS.  
METROPOLITAN ST. LOUIS SEWER DISTRICT Standard Details of Sewer Construction  
Dr. R.C.W. Ch. J.C.K. 1992 SHEET 47



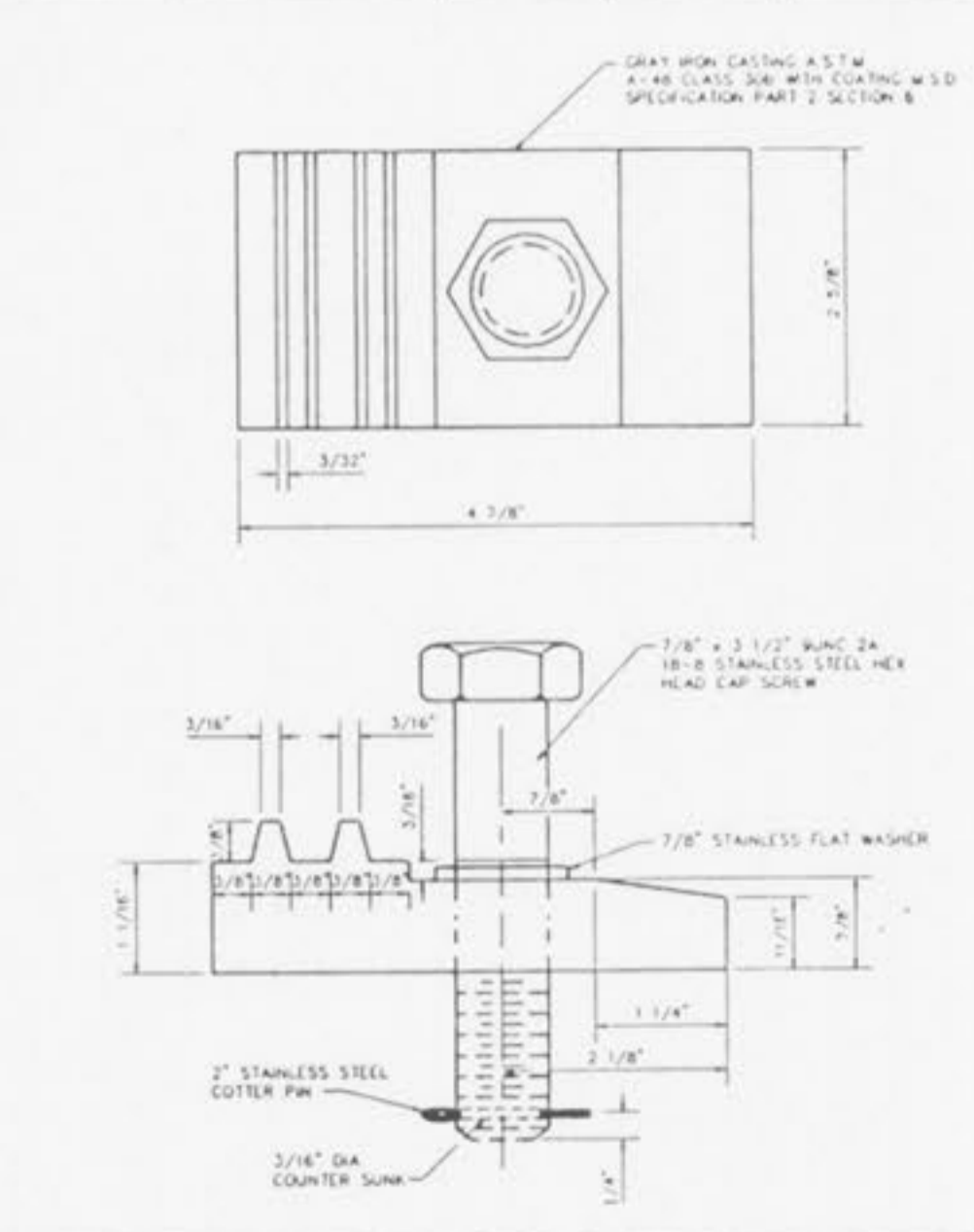
CAST IRON MANHOLE FRAME  
METROPOLITAN ST. LOUIS SEWER DISTRICT Standard Details of Sewer Construction  
Dr. D.A.B. Ch. J.C.K. 1992 SHEET 48



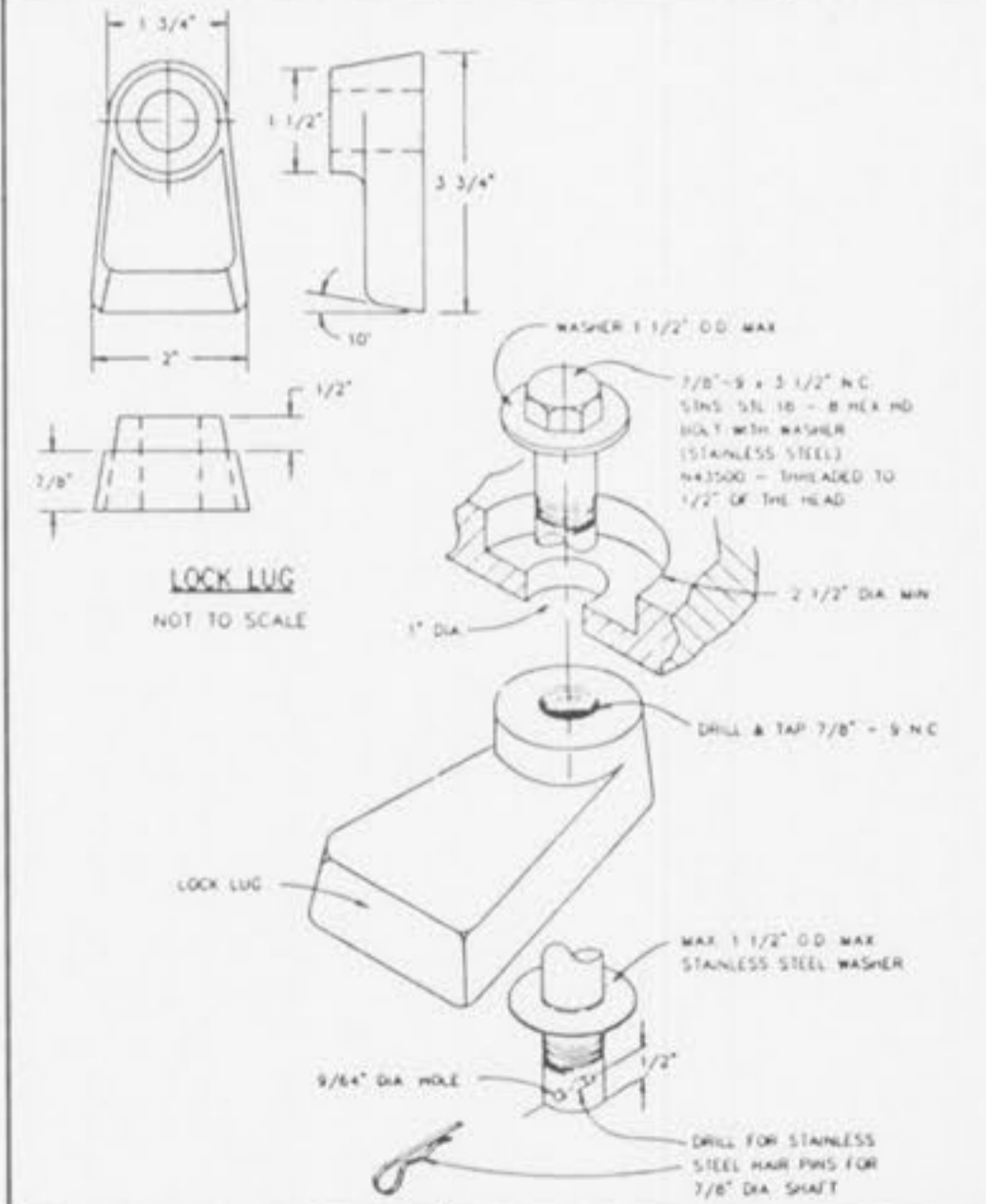
CAST IRON COVERS MANHOLES AND INLETS  
METROPOLITAN ST. LOUIS SEWER DISTRICT Standard Details of Sewer Construction  
Dr. R.C.W. Ch. J.C.K. 1992 SHEET 49



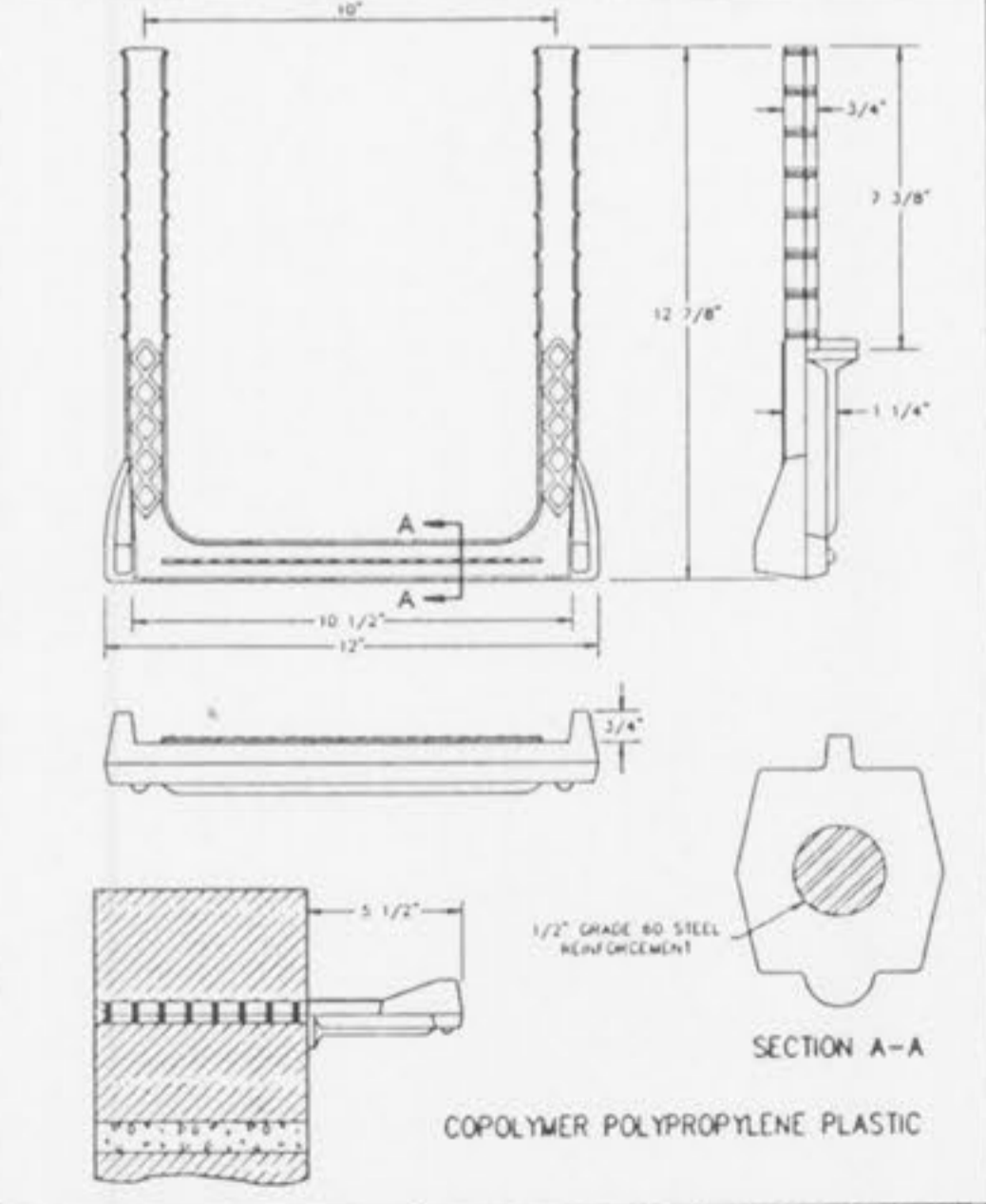
CAST IRON MANHOLE COVERS (LOCK TYPE)  
METROPOLITAN ST. LOUIS SEWER DISTRICT Standard Details of Sewer Construction  
Dr. W.S.H. Ch. J.C.K. 1992 SHEET 50



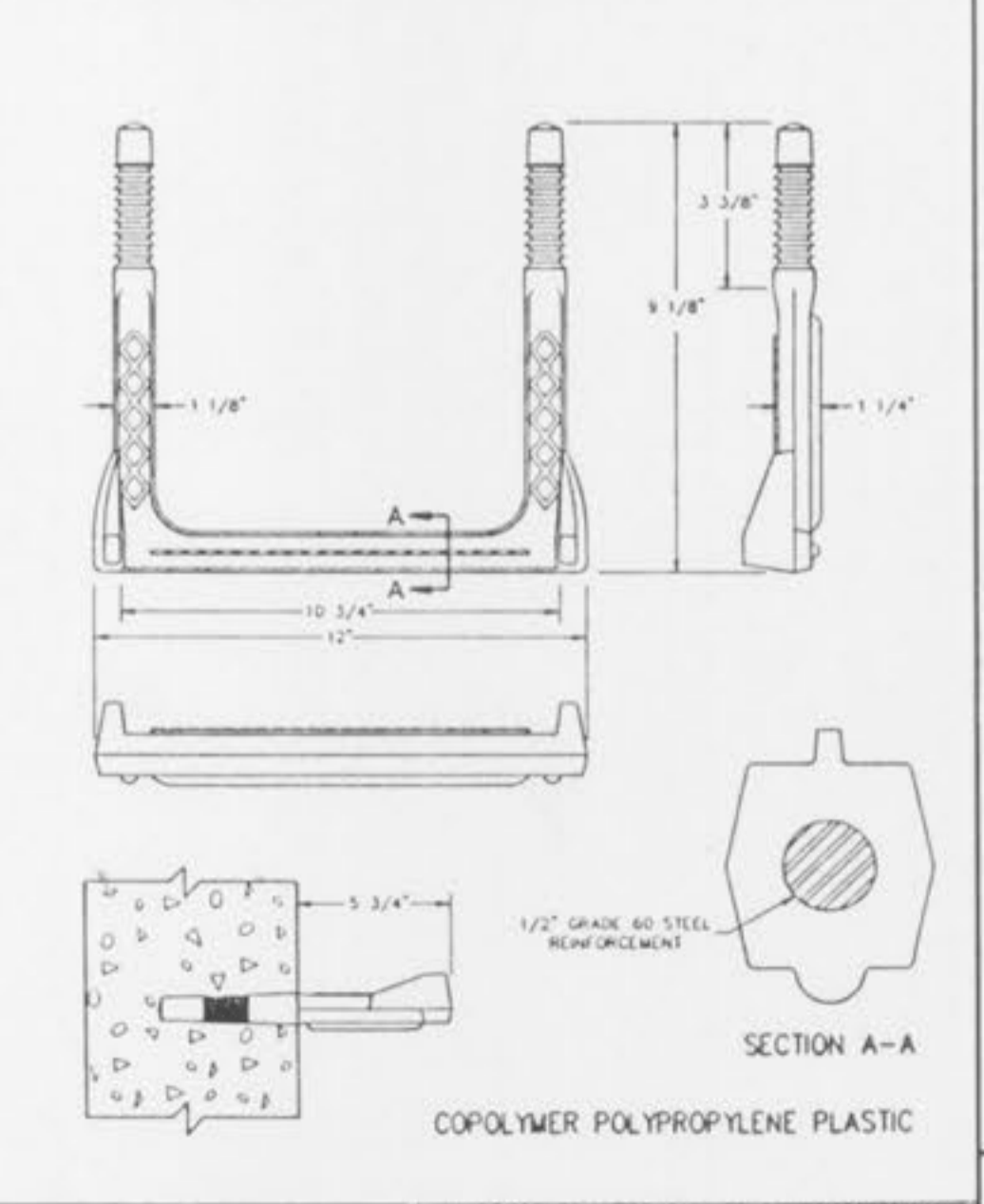
LOCKING DEVICE FOR TYPE 'T' LOCK TYPE MANHOLE COVER  
METROPOLITAN ST. LOUIS SEWER DISTRICT Standard Details of Sewer Construction  
Dr. R.C.W. Ch. J.C.K. 1992 SHEET 51



LOCKING DEVICE FOR TYPE 'N' LOCK TYPE MANHOLE COVER  
METROPOLITAN ST. LOUIS SEWER DISTRICT Standard Details of Sewer Construction  
Dr. J.L.G. Ch. J.C.K. 1992 SHEET 52



PSI-B MANHOLE STEP INTO JOINT  
METROPOLITAN ST. LOUIS SEWER DISTRICT Standard Details of Sewer Construction  
Dr. W.S.H. Ch. J.C.K. 1992 SHEET 53



MANHOLE STEP FOR PRECAST MANHOLE  
METROPOLITAN ST. LOUIS SEWER DISTRICT Standard Details of Sewer Construction  
Dr. D.A.B. Ch. J.C.K. 1992 SHEET 54