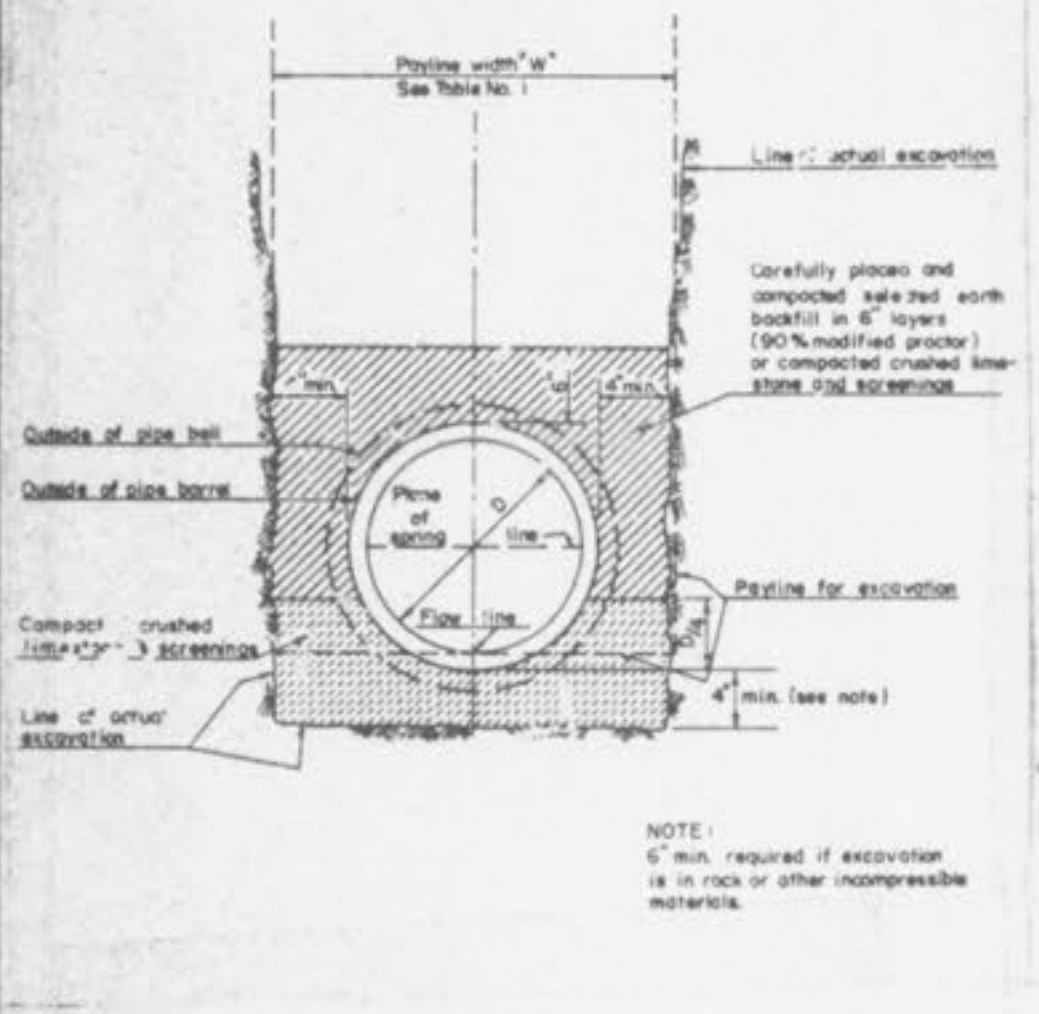
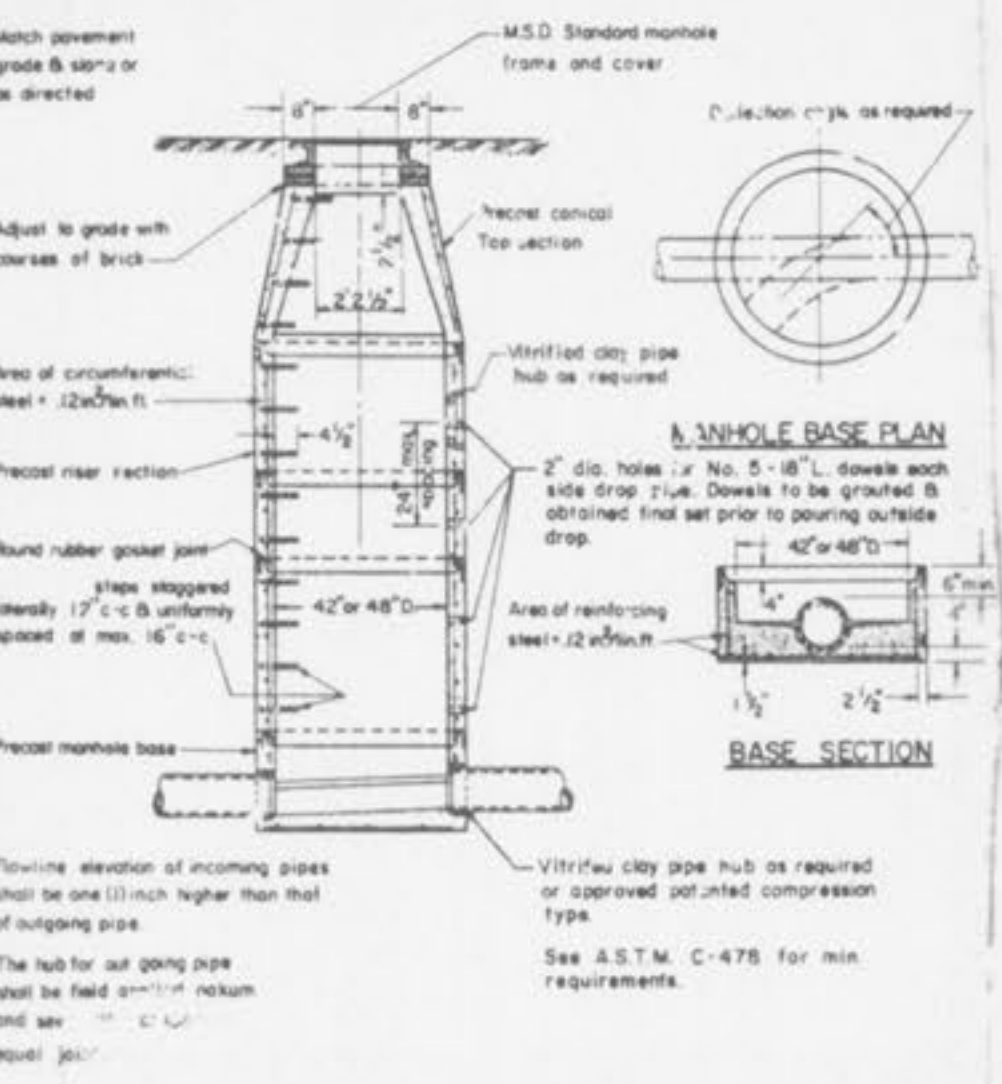


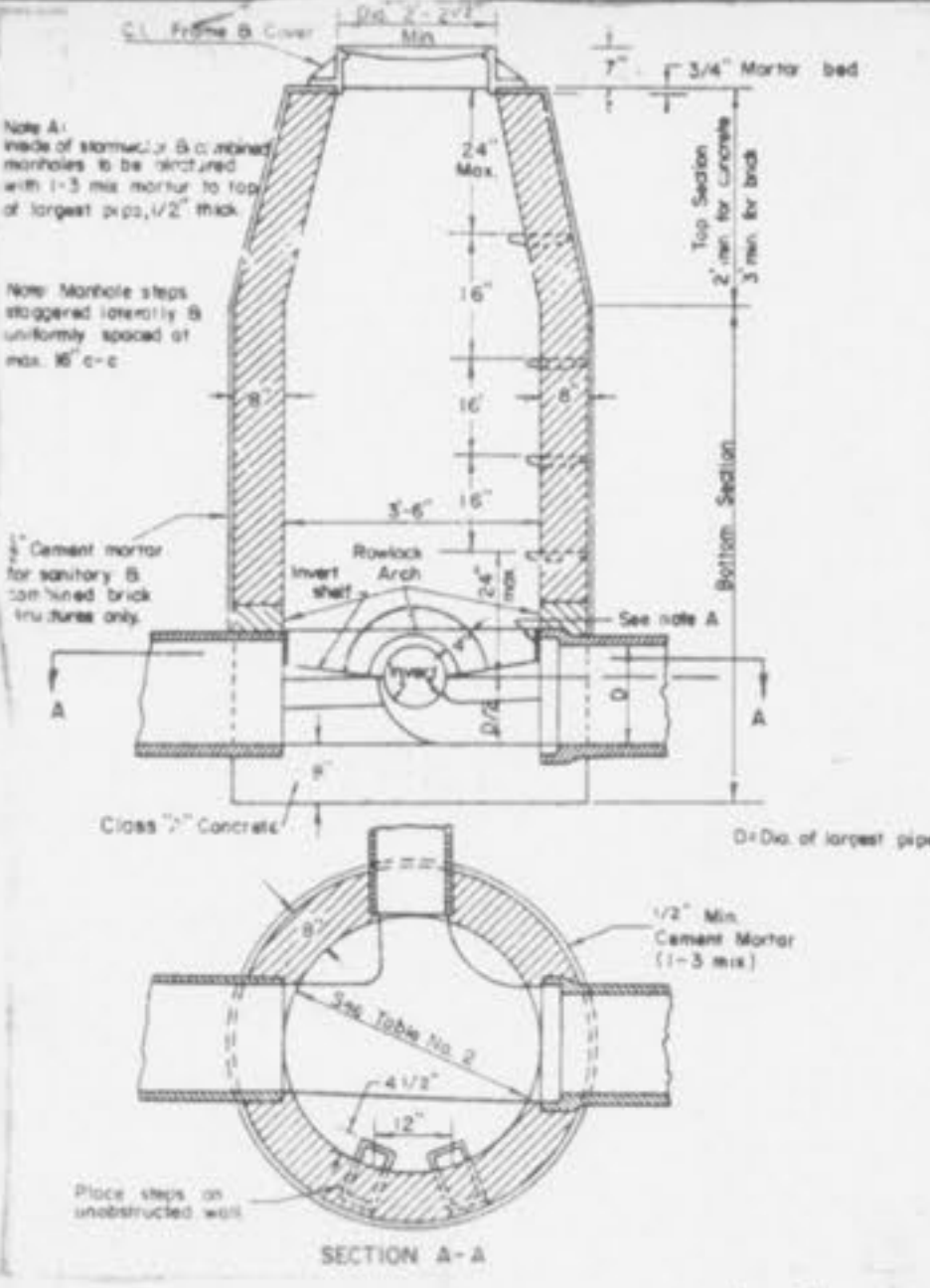
CONSTRUCTION DETAILS



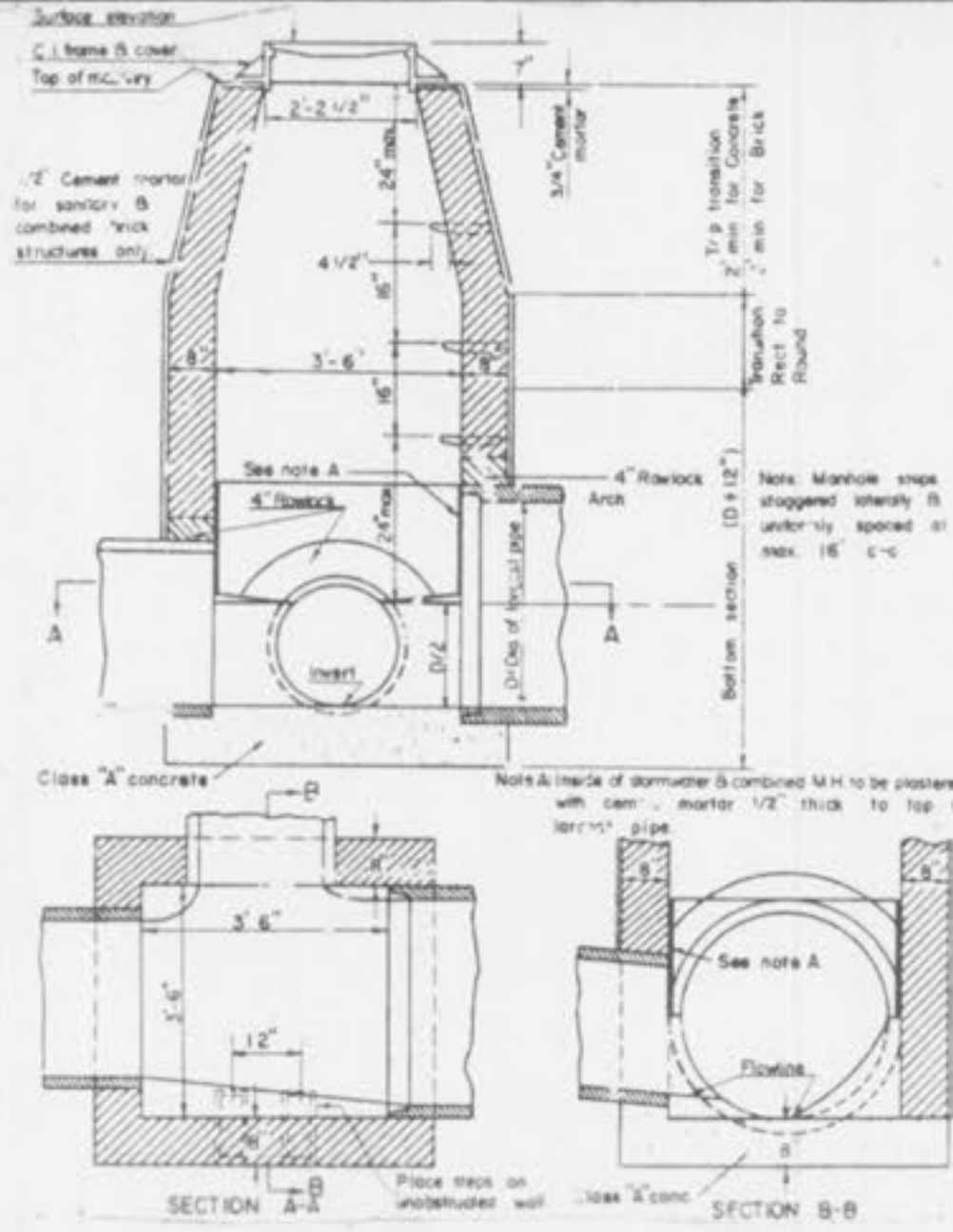
PIPE BEDDING - CLASS "C" (FOR ALL PIPE 33" & SMALLER DIA)



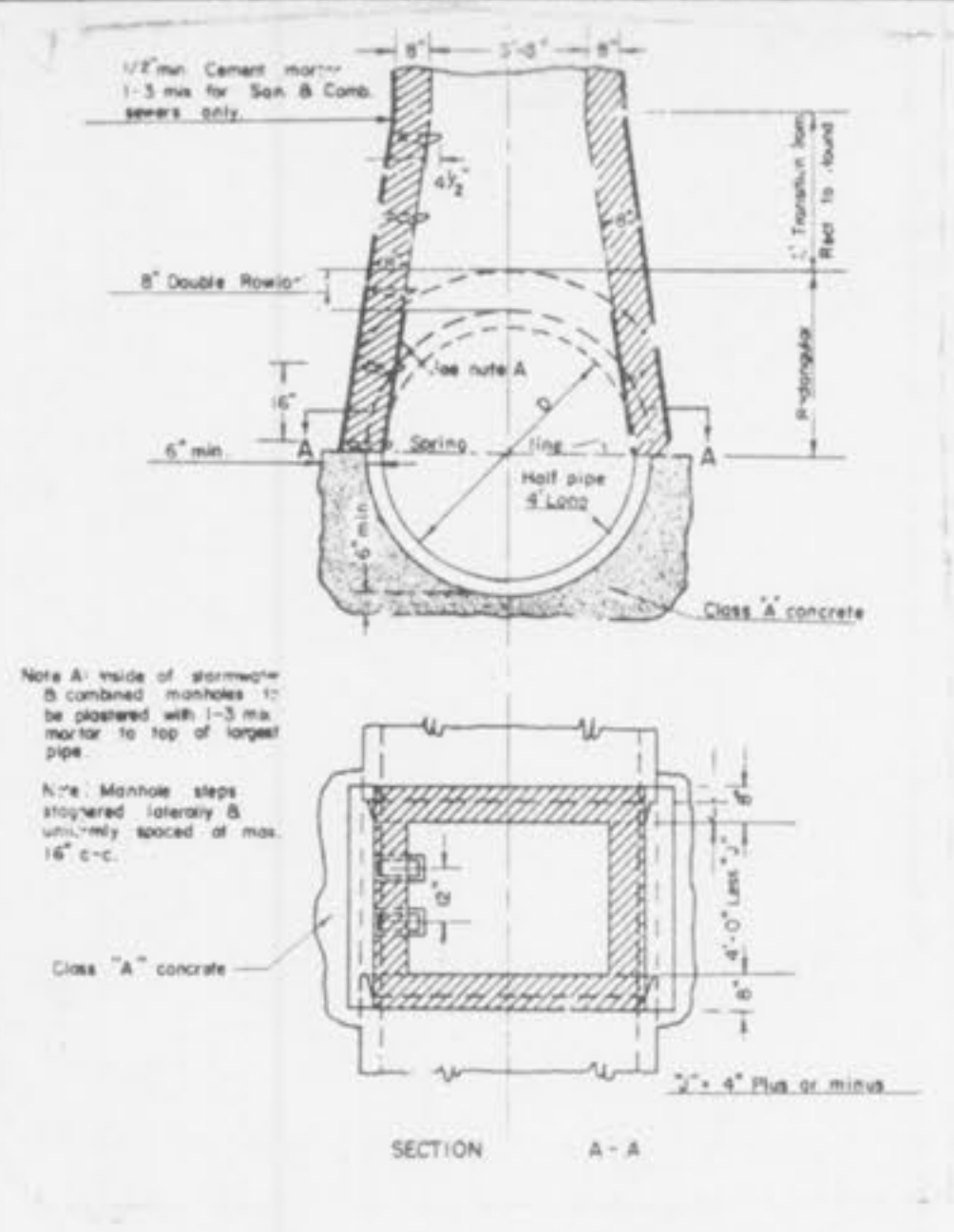
PRECAST CONCRETE MANHOLE FOR CLAY PIPE SEWERS 8" THROUGH 12"



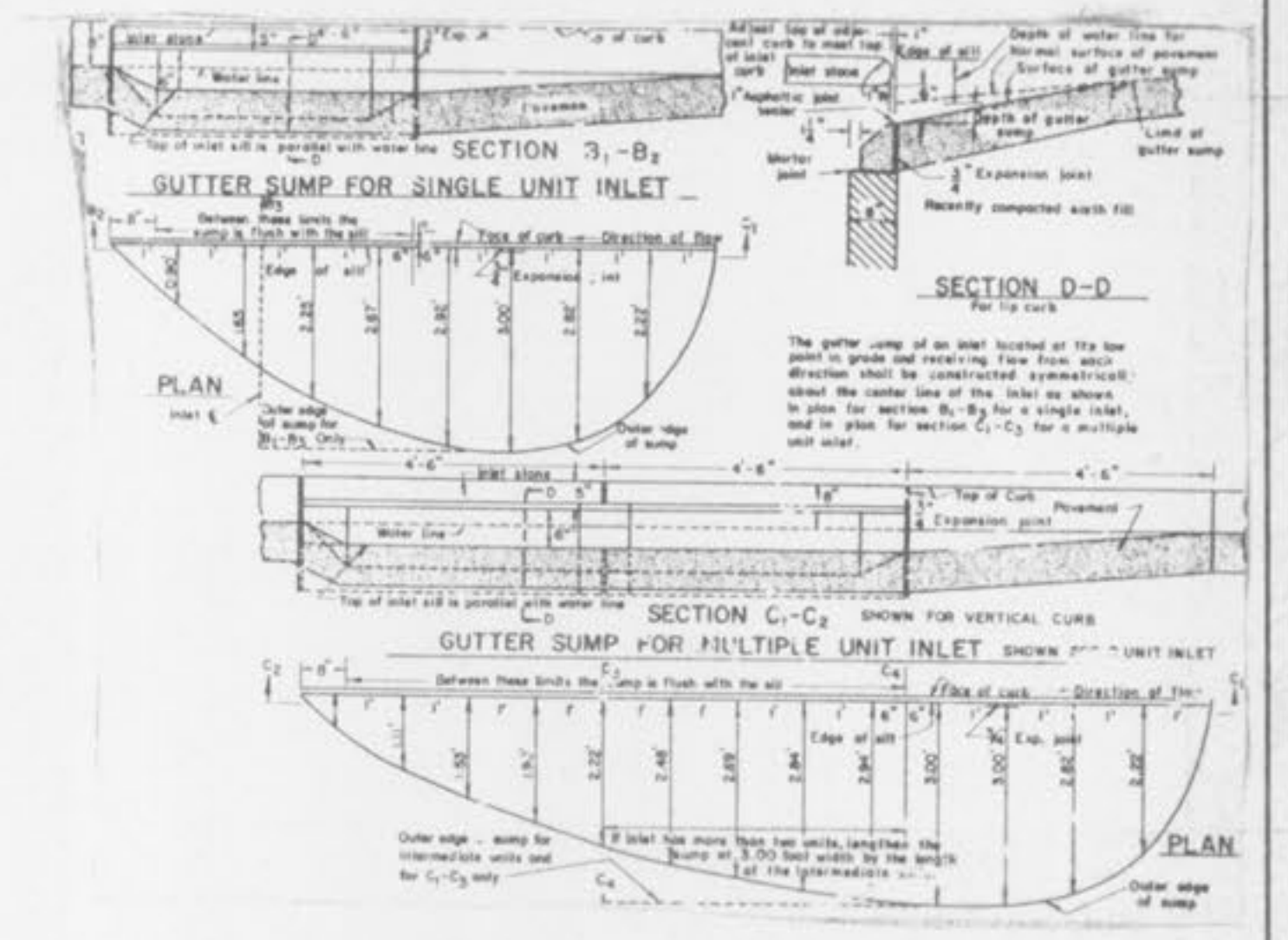
LINE MANHOLE, PIPE SEWERS 8"-24" DIA.



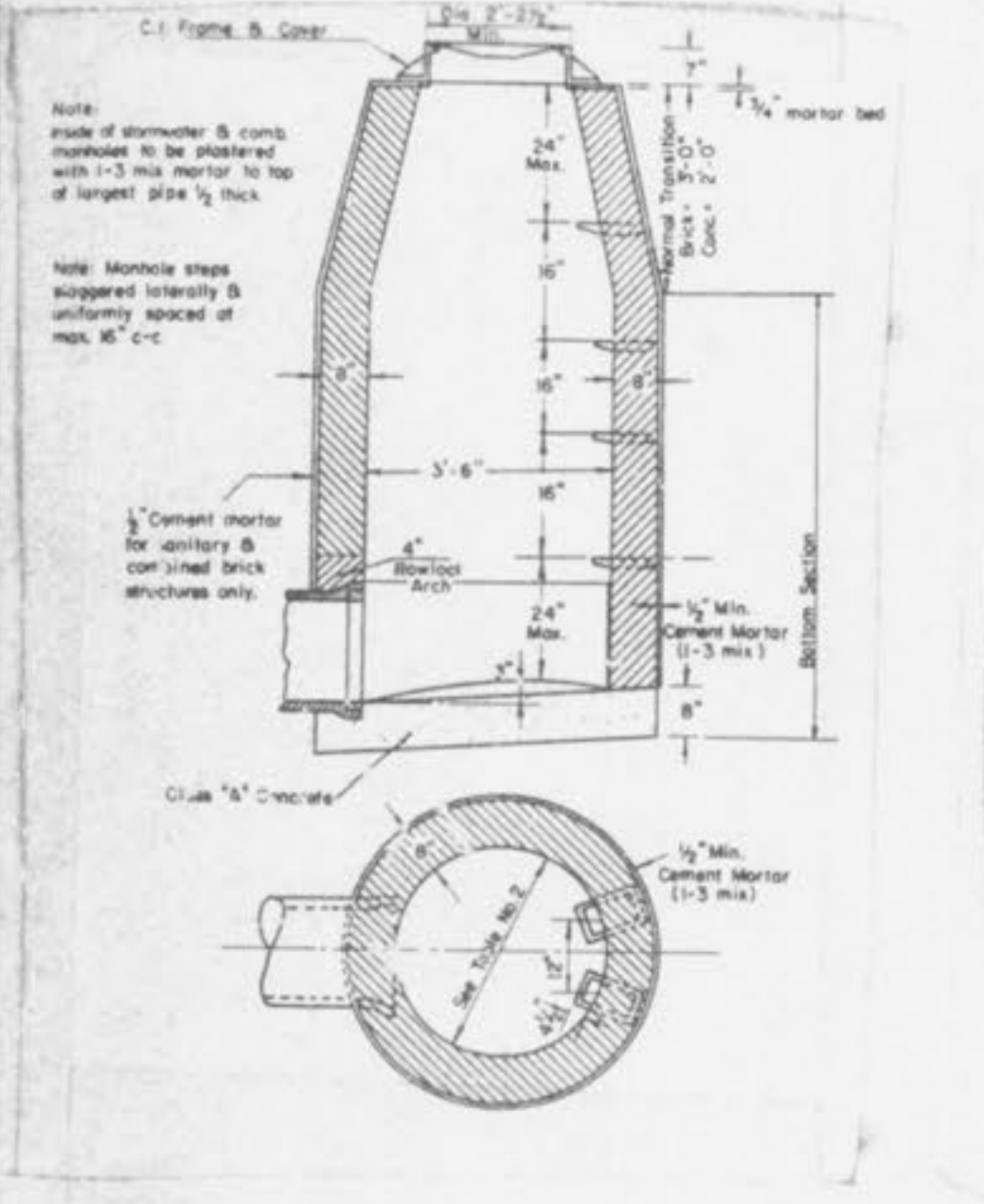
TYPICAL LINE MANHOLE ON PIPE SEWER 27" THROUGH 36" DIA.



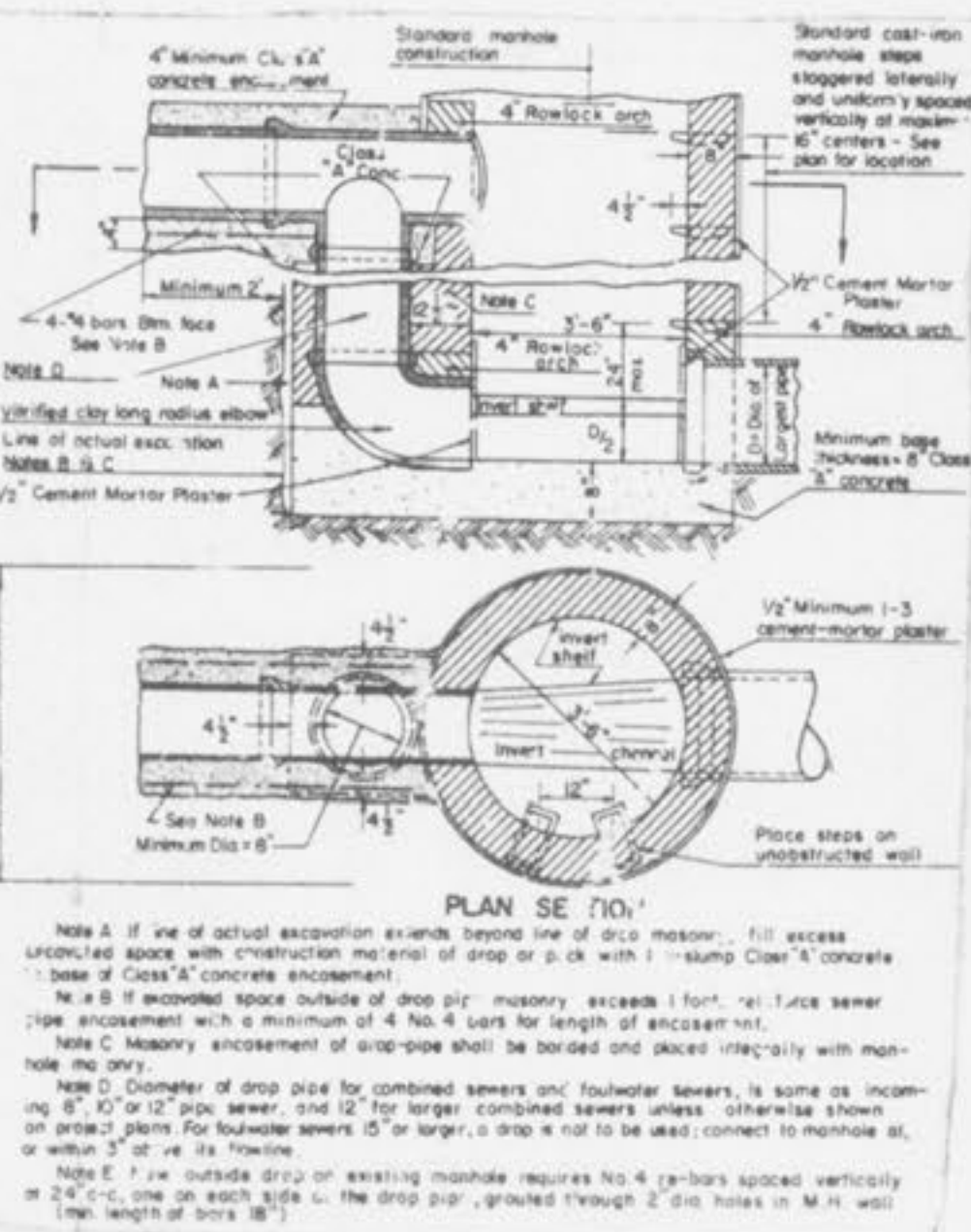
MANHOLE ON CONCRETE PIPE SEWERS 39" THROUGH 54" DIA.



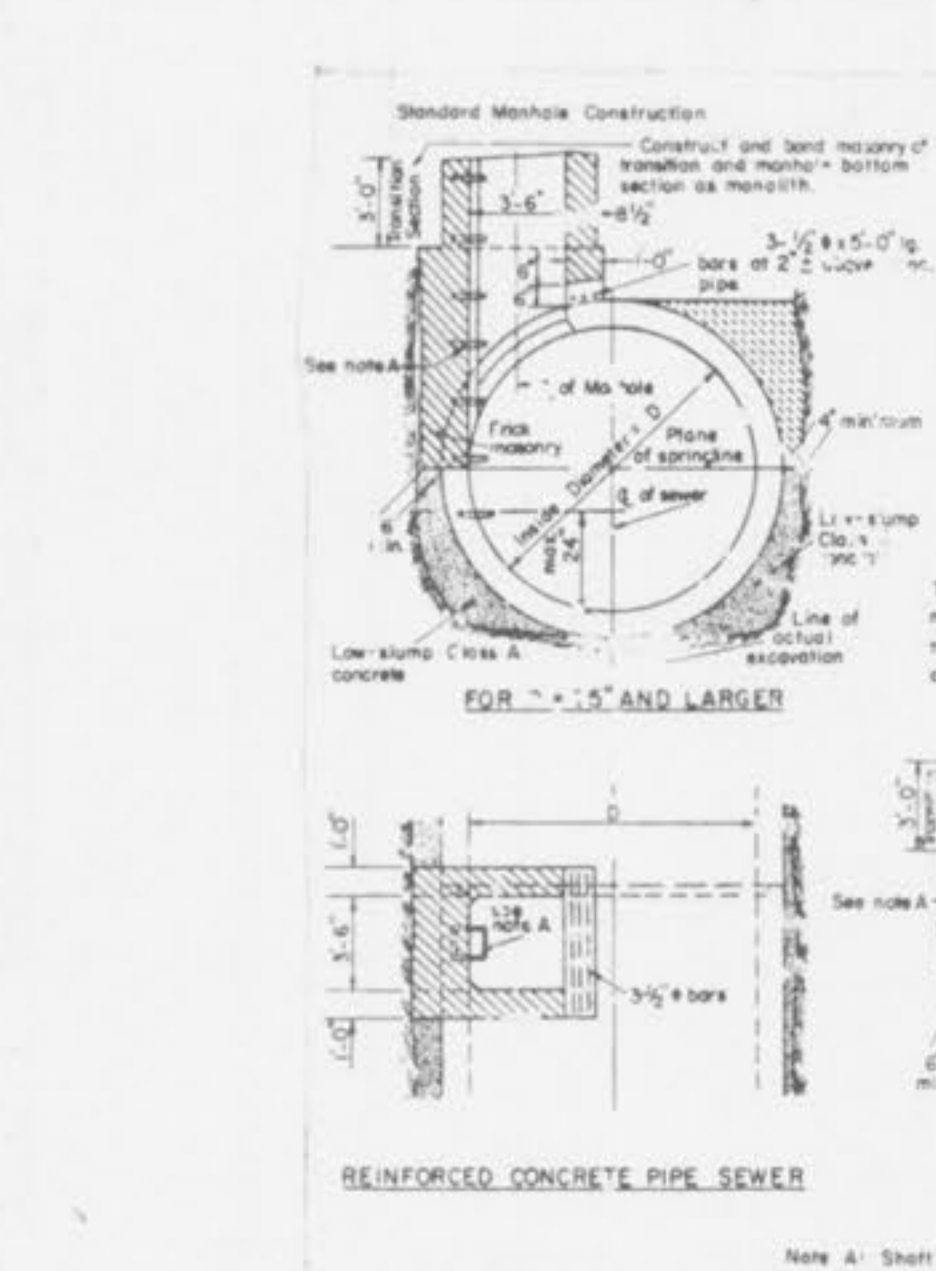
GUTTER SUMPS FOR VERTICAL CURB



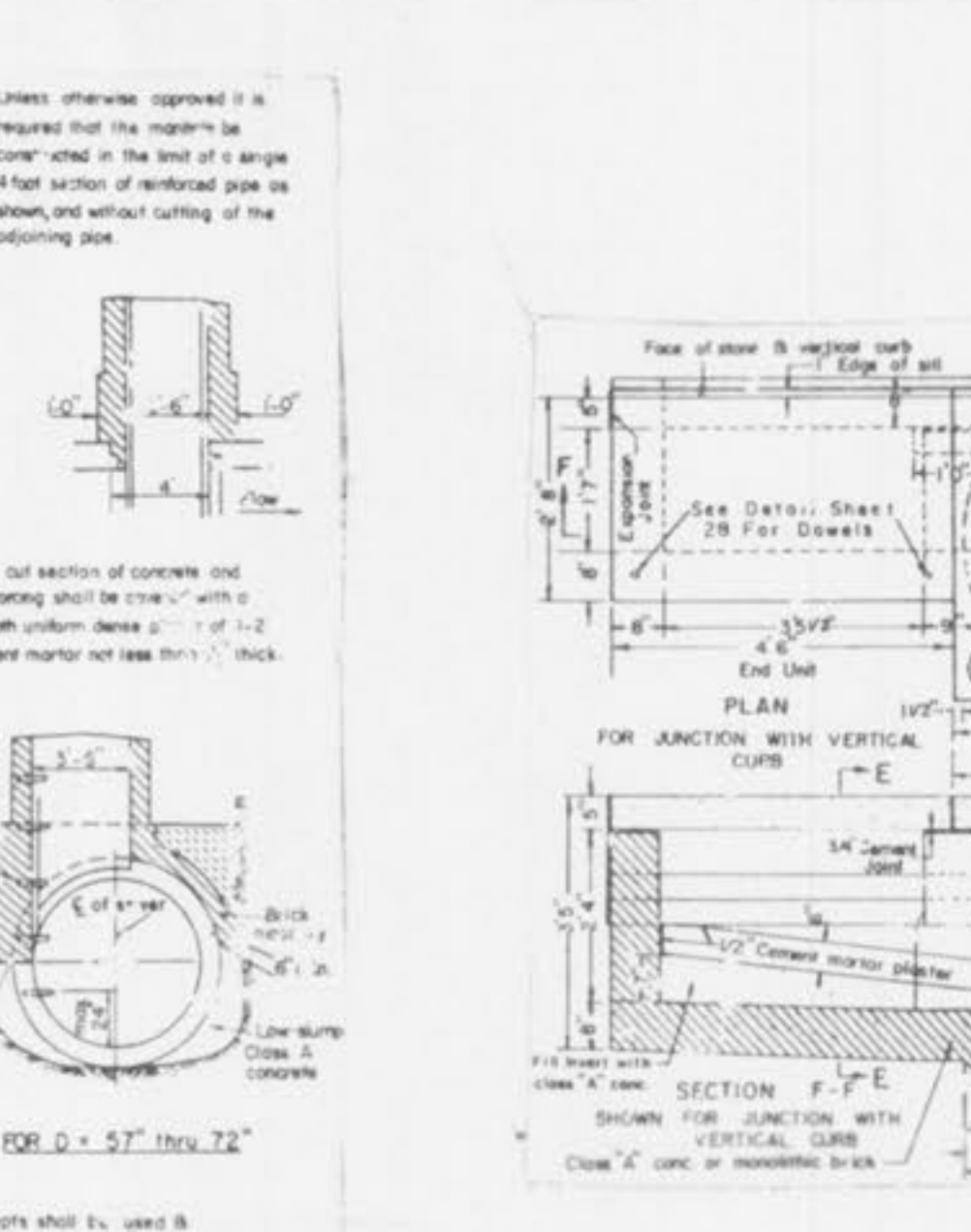
TERMINAL MANHOLE



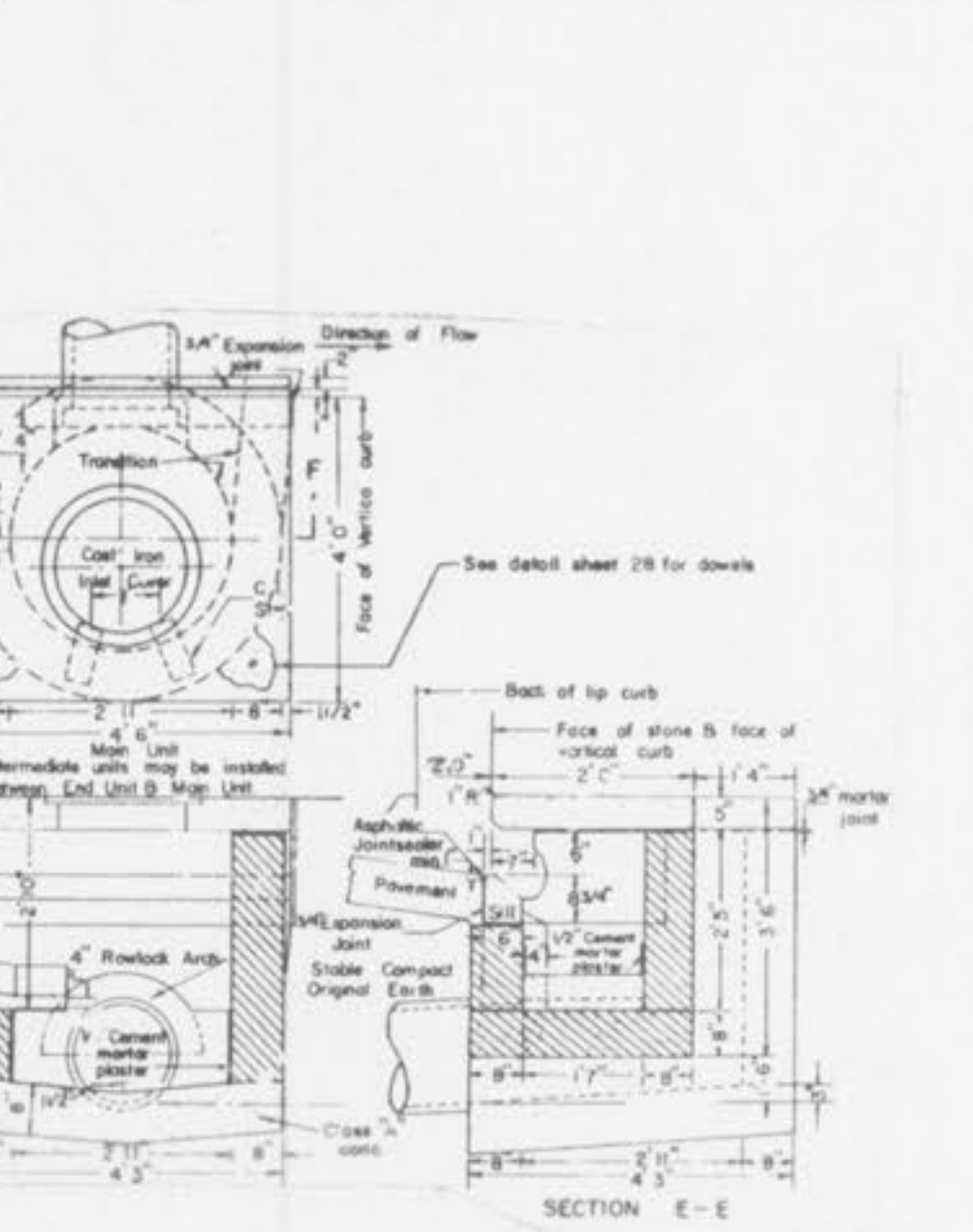
DROP MANHOLE OF BRICK MASONRY ON COMBINED, FOULWATER OR SANITARY SEWERS



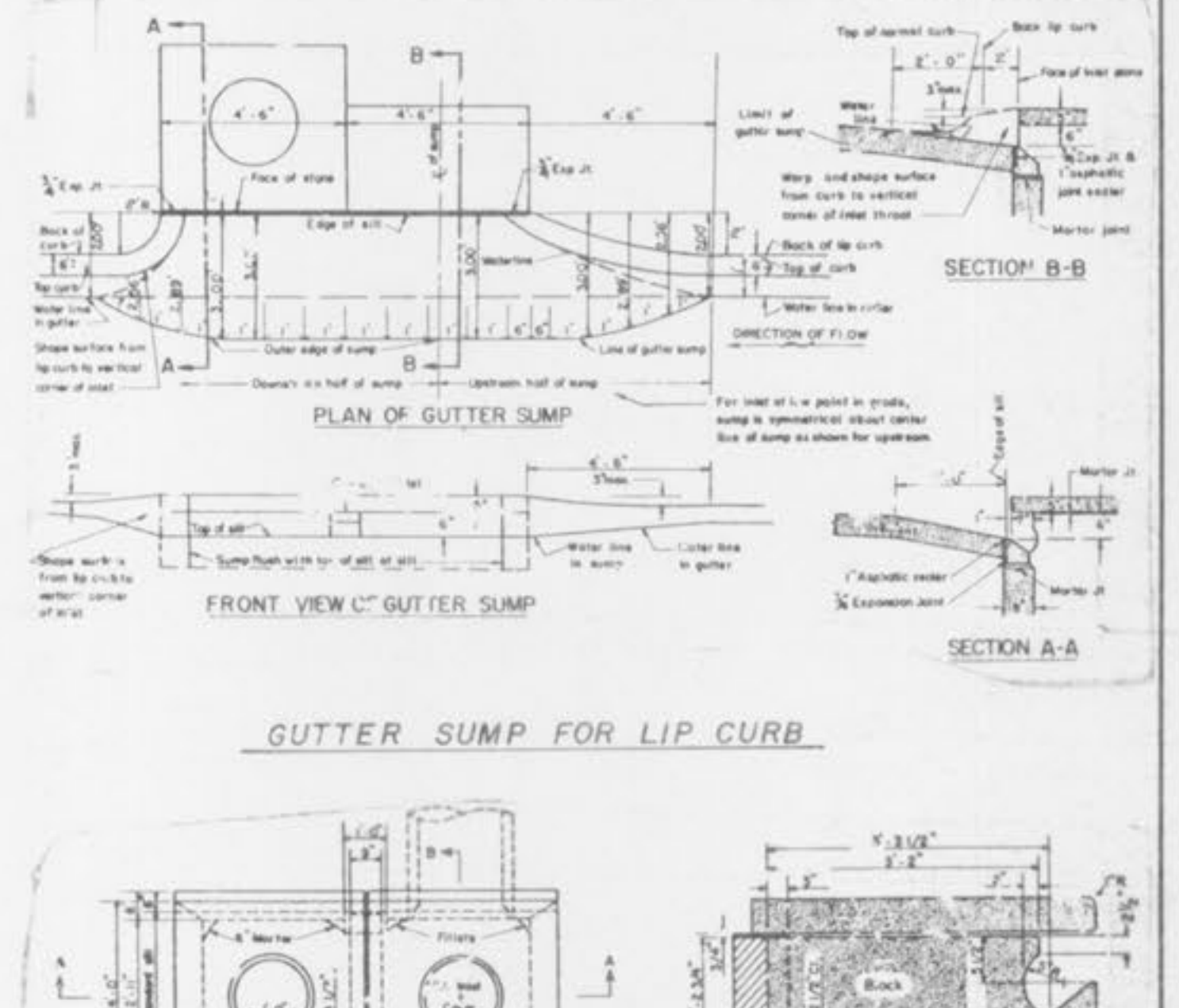
REINFORCED CONCRETE PIPE SEWER FOR 15" AND LARGER



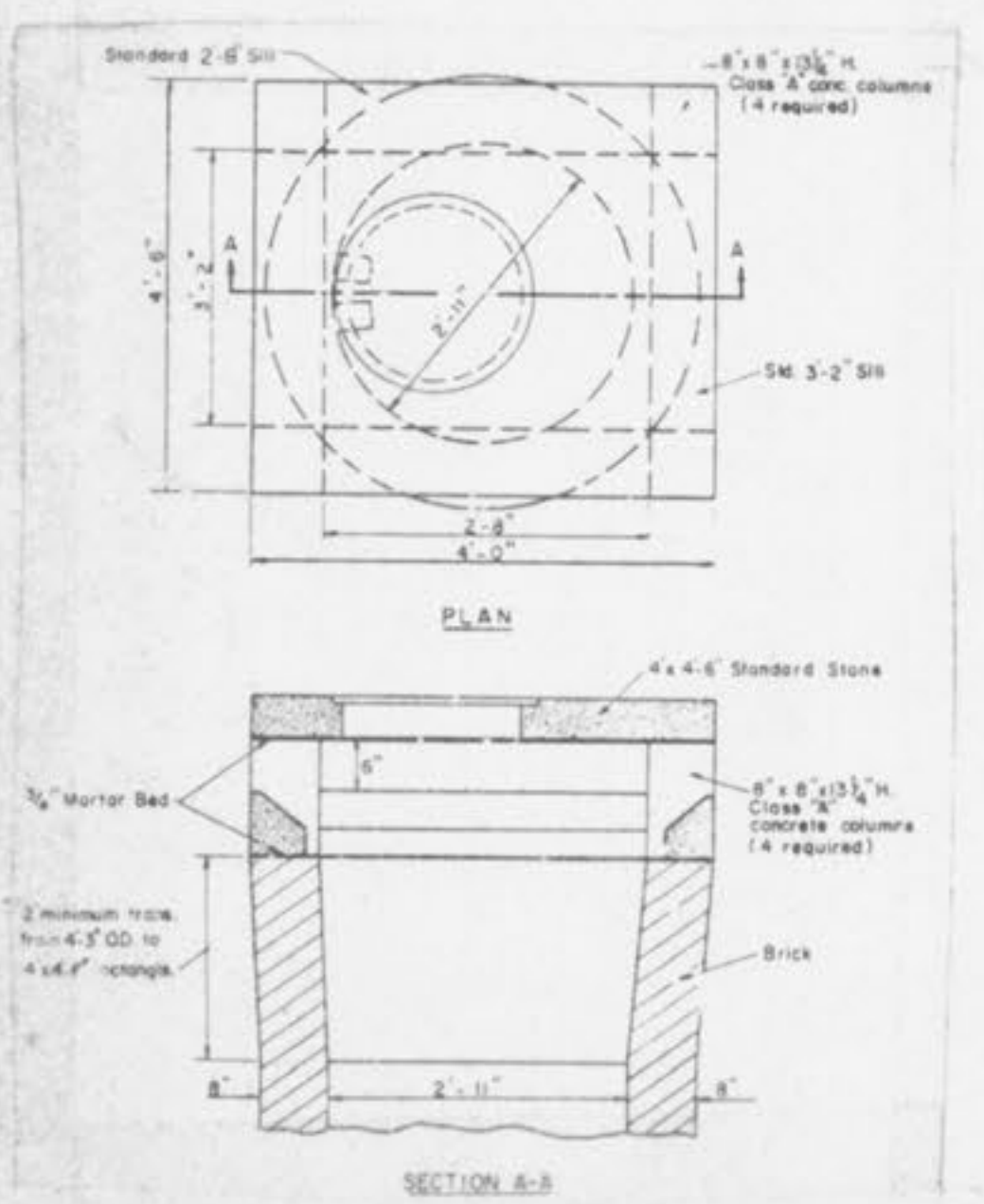
TYPICAL MANHOLE BASE - REINFORCED CONCRETE PIPE SEWERS, 57" AND LARGER IN DIAMETER



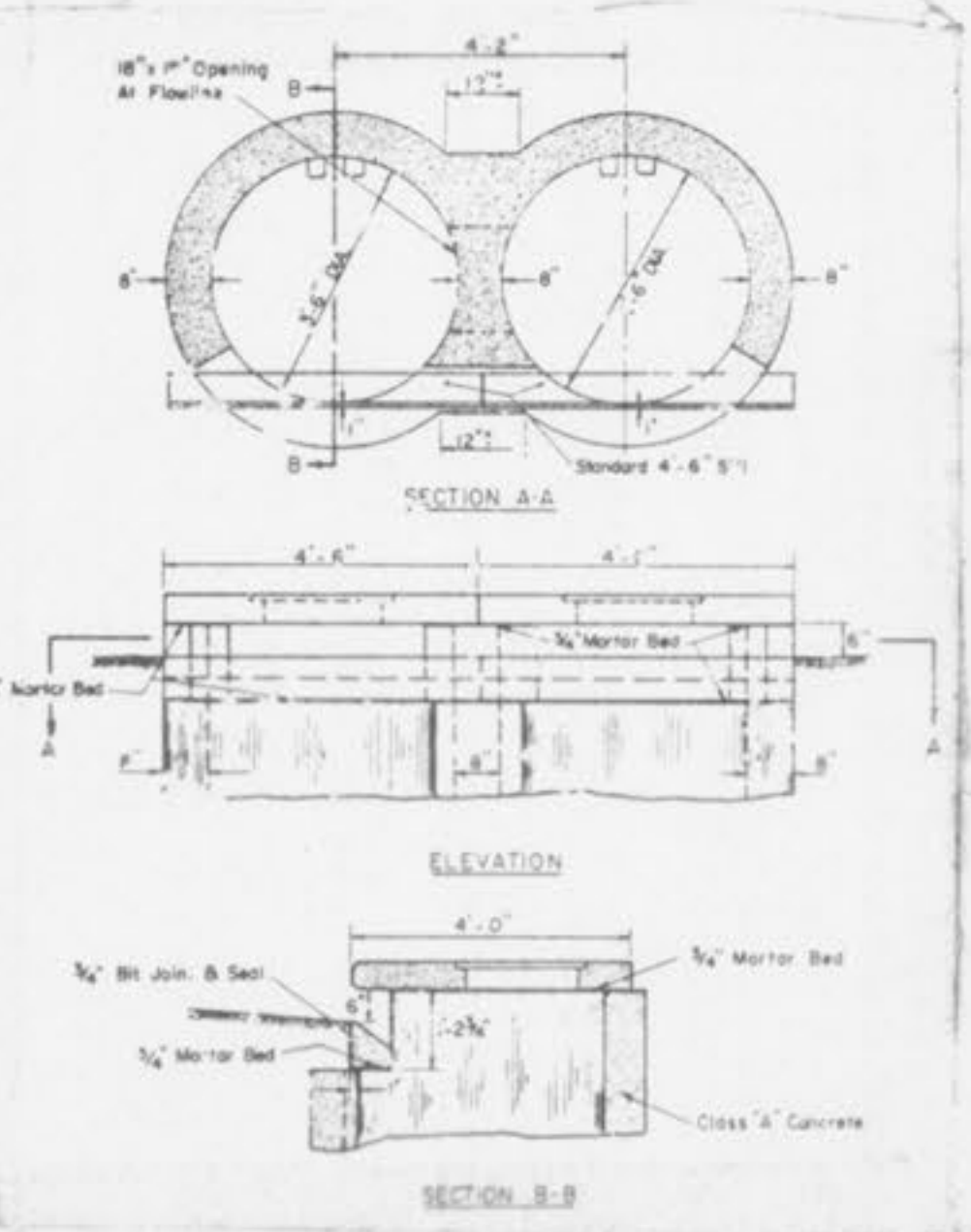
MULTIPLE INLET, BRICK CONSTRUCTION



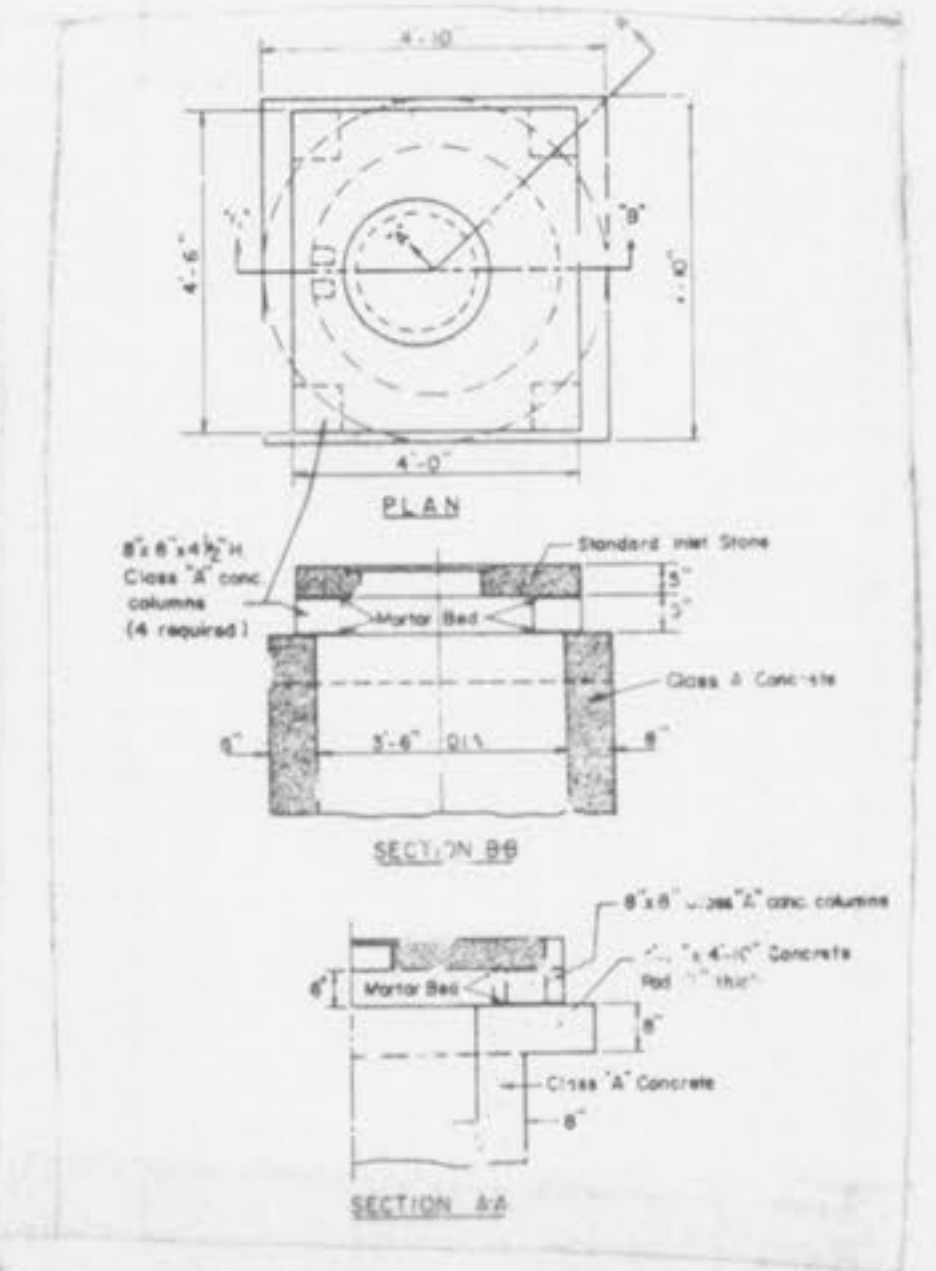
GUTTER SUMP FOR LIP CURB



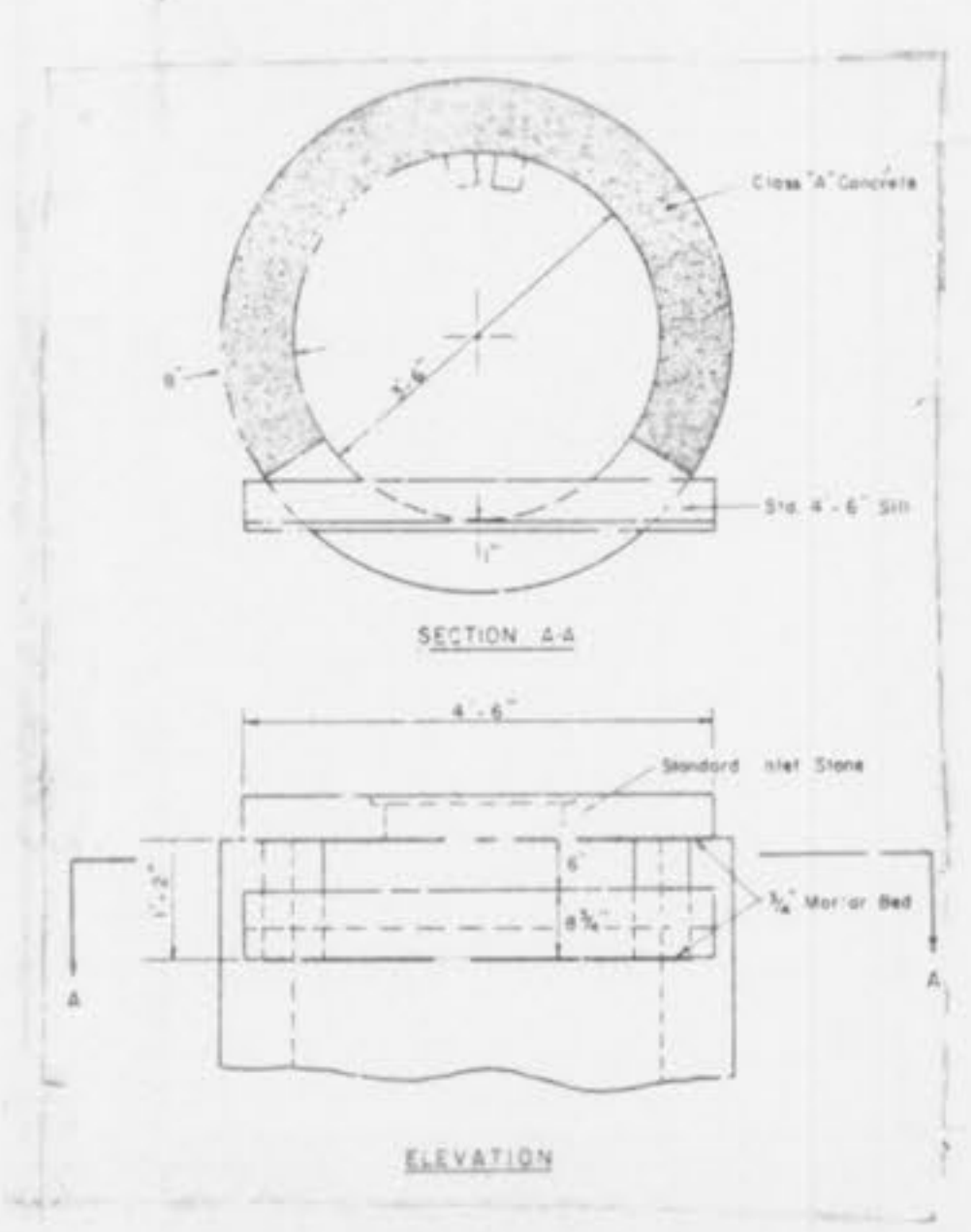
BRICK AREA INLET OPEN 4 SIDES



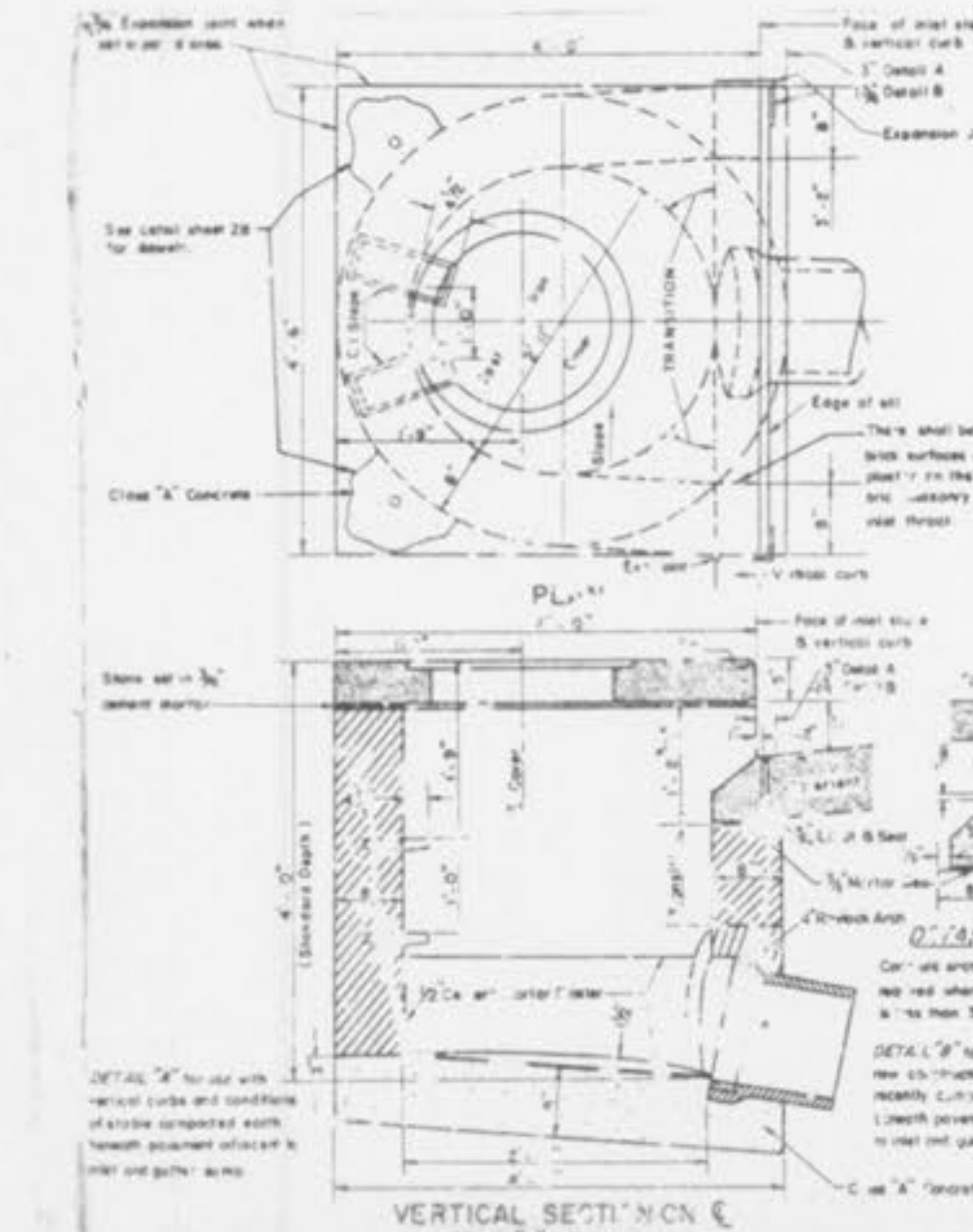
CONCRETE DOUBLE CURB INLET



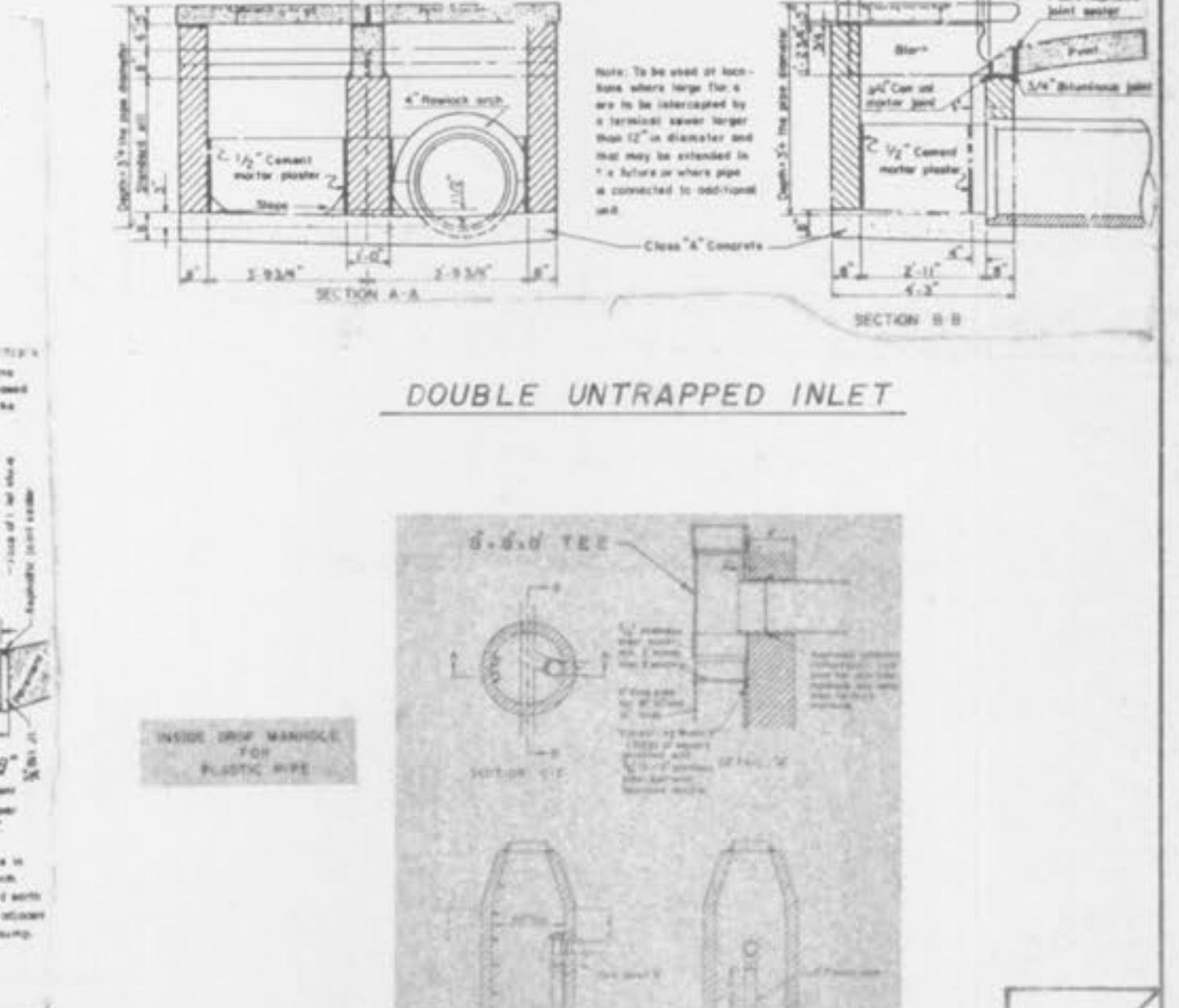
CONCRETE AREA INLET OPEN 4 SIDES



CONCRETE SINGLE CURB INLET



UNTRAPPED STREET INLET, BRICK CONSTRUCTION



DOUBLE UNTRAPPED INLET