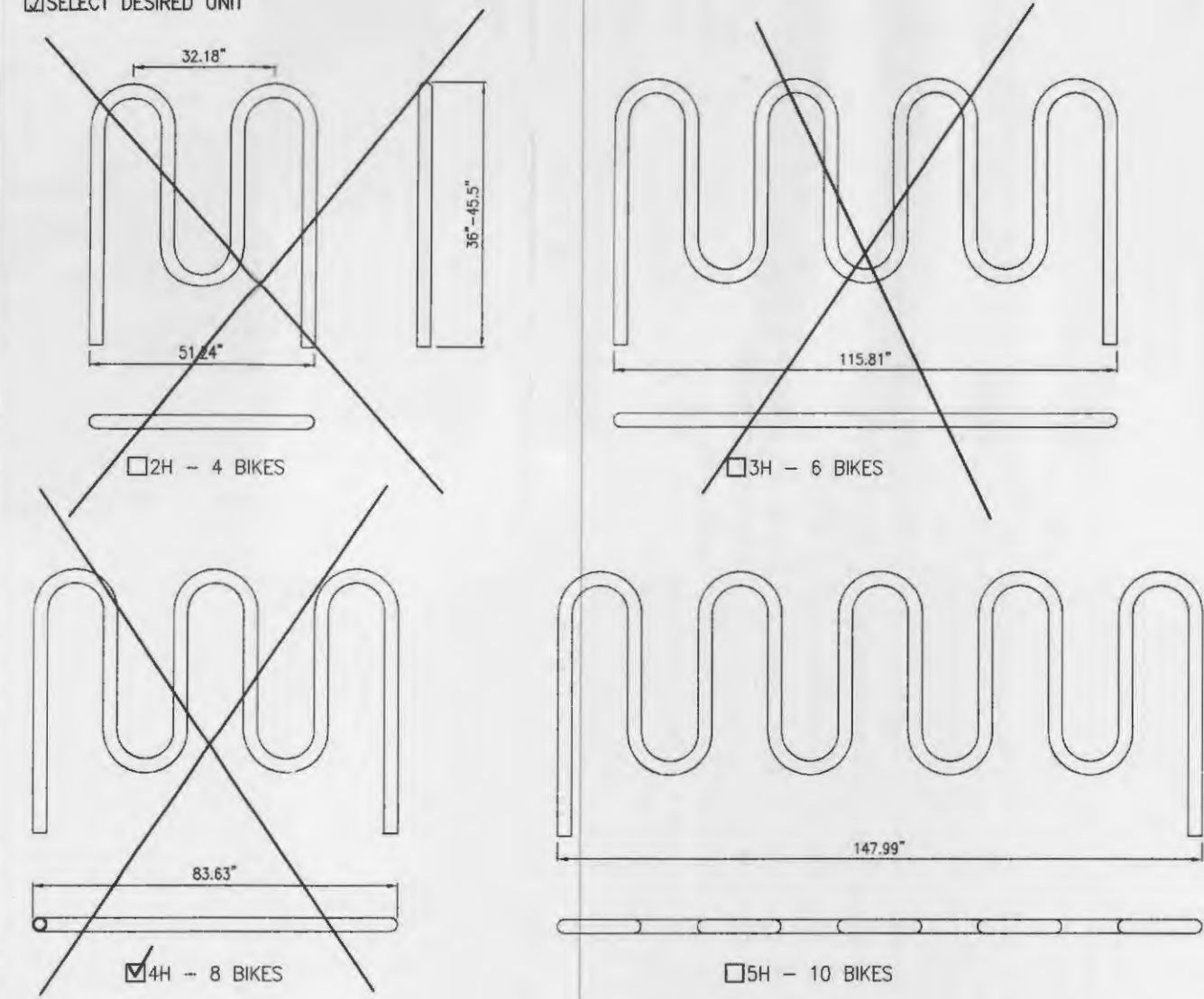




DERO BIKE RACKS, INC.  
221 ARTHUR AVE. SE  
MINNEAPOLIS, MN 55414  
1-888-337-6729  
PHONE: (612) 359-0689  
FAX: (612) 331-2731  
www.dero.com

SELECT DESIRED MOUNT  
 FOOT MOUNT  
 IN GROUND MOUNT

SELECT DESIRED UNIT



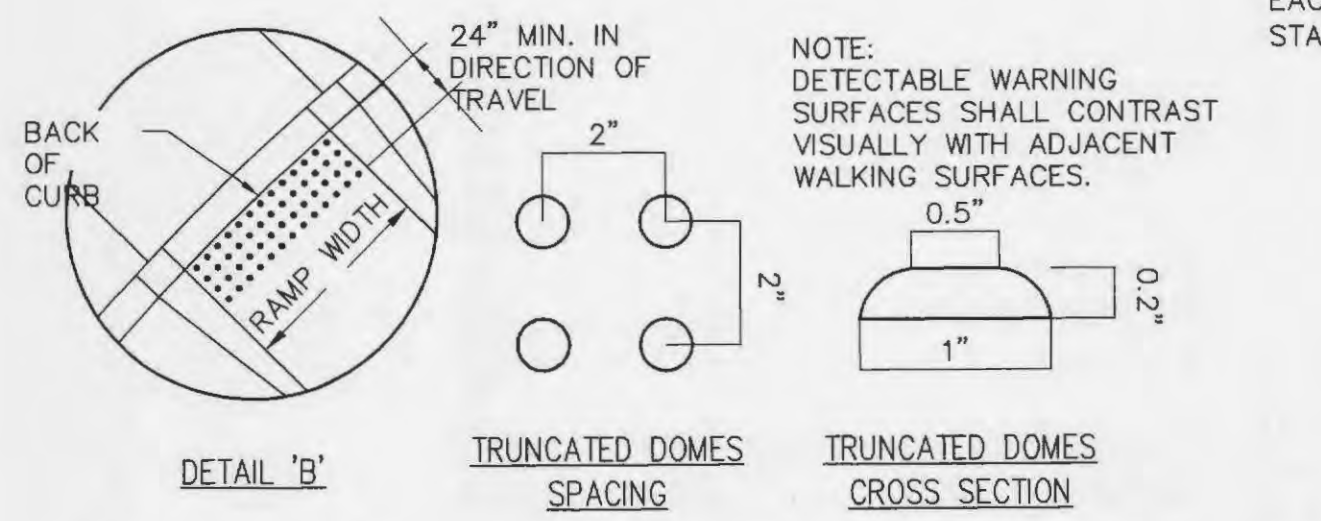
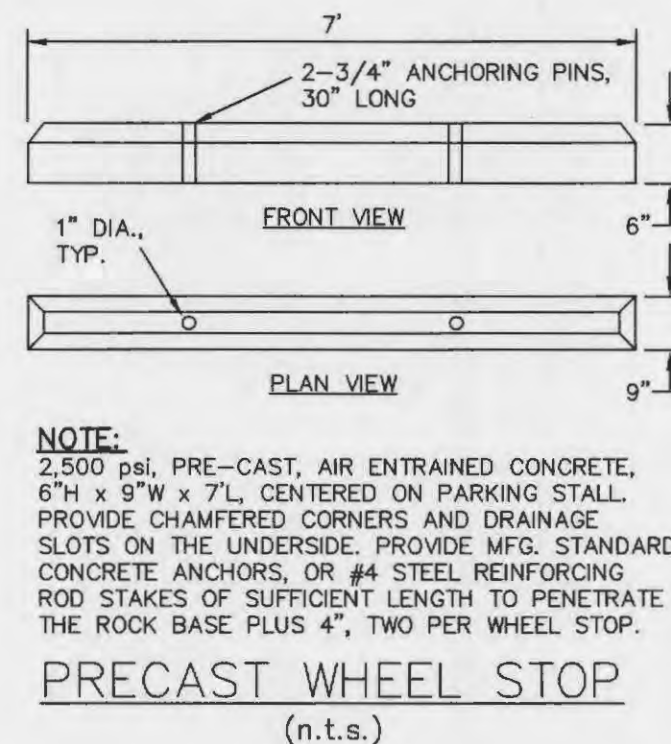
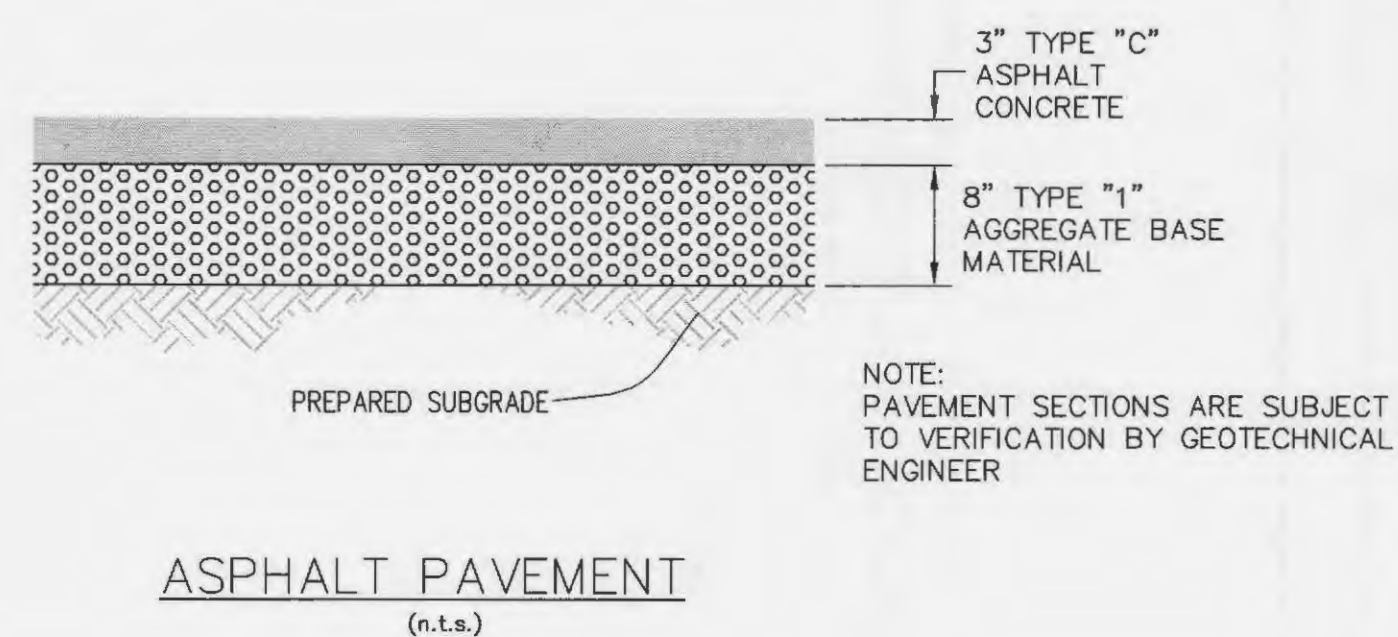
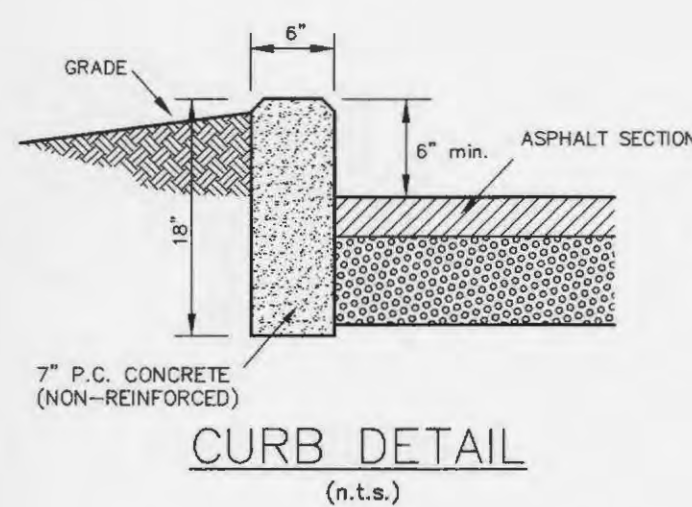
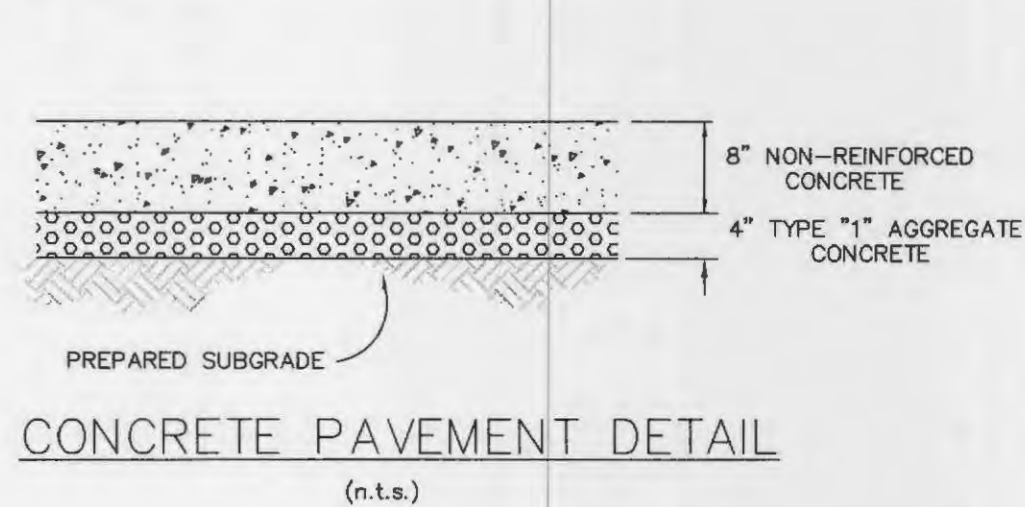
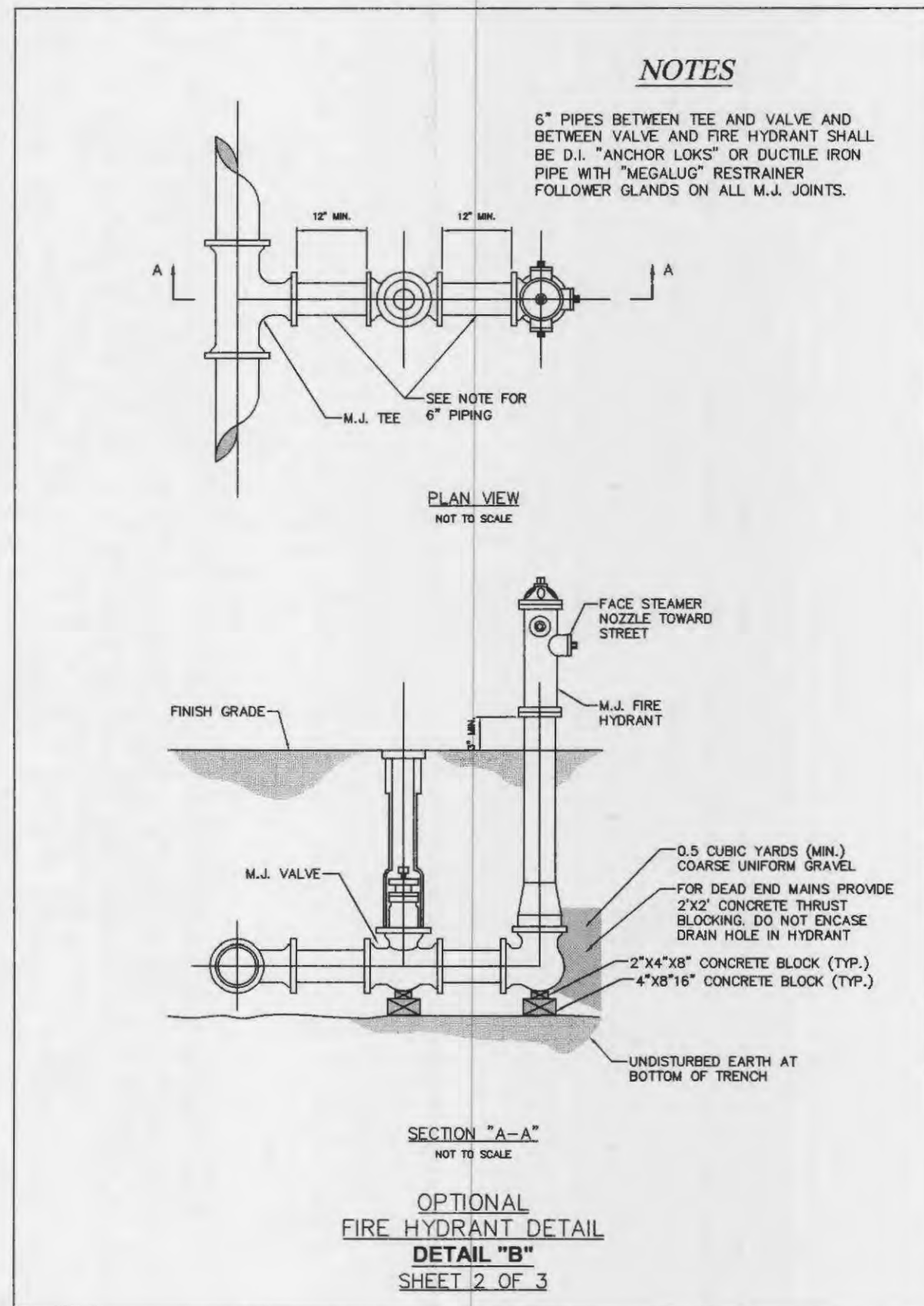
- NOTES:  
1. INSTALLATION TO BE COMPLETED IN ACCORDANCE WITH MANUFACTURER'S SPECIFICATIONS.  
2. DO NOT SCALE DRAWINGS.  
3. CONTRACTORS NOTE: FOR PRODUCT AND PURCHASING INFORMATION VISIT WWW.PROJECTMARKETPLACE.COM  
REFERENCE NUMBER 118-003

DERO ROLLING RACK  
2H, 3H, 4H AND 5H

PROTECTED BY COPYRIGHT - 118-003 03/18/03

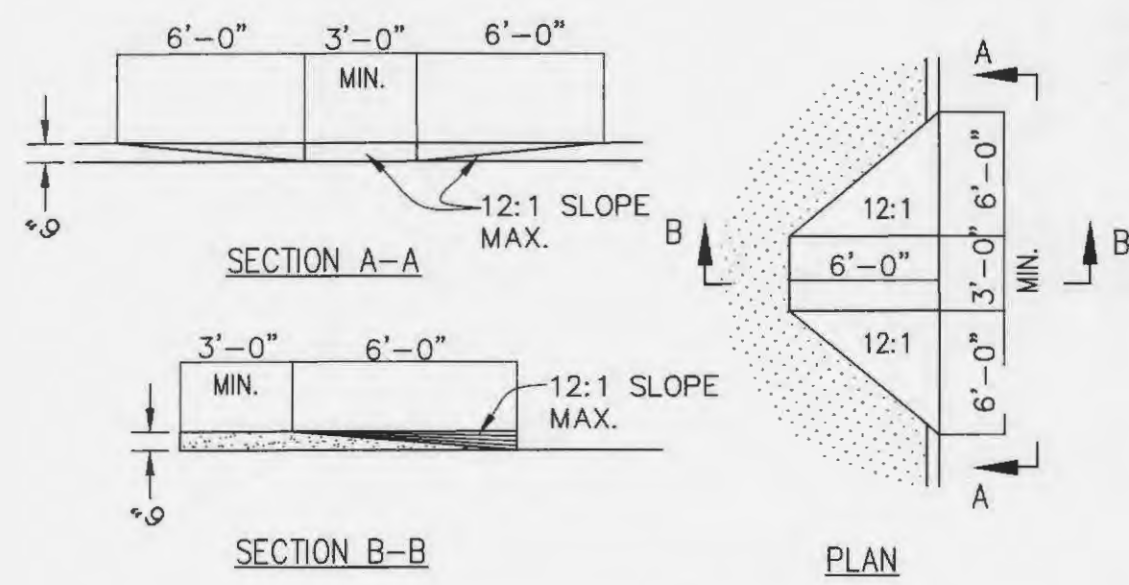
www.caddetails.com

**BIKE RACK DETAIL**  
NOT TO SCALE



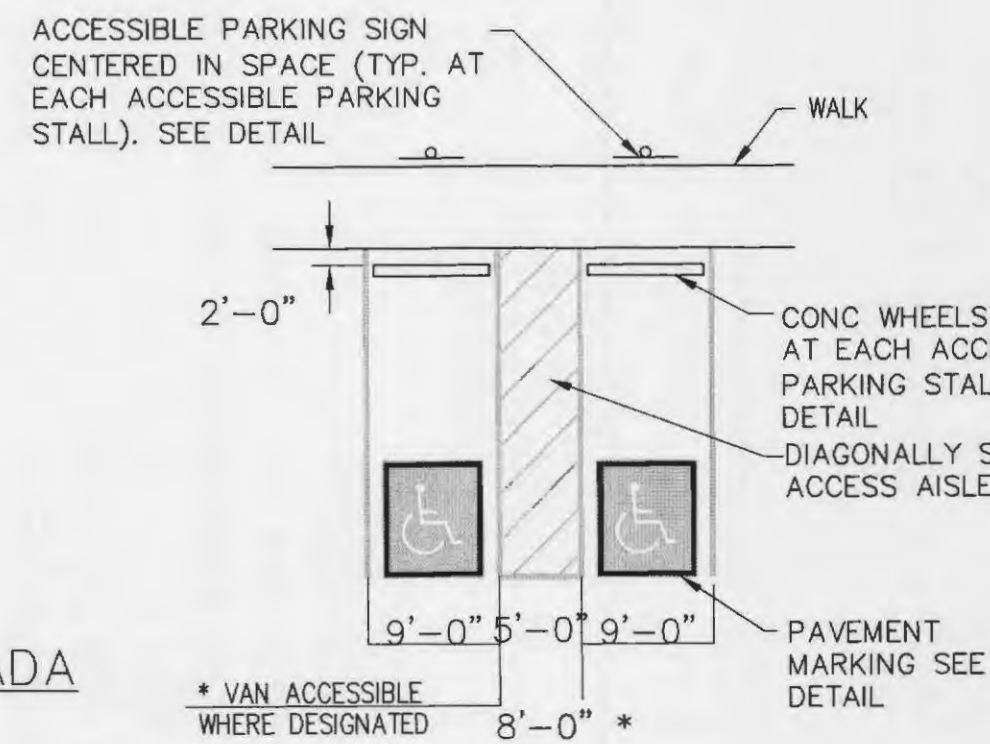
**DETECTABLE WARNING AT CURB RAMPS - ADA**

SCALE: N.T.S.



**ACCESSIBLE RAMP DETAIL**

SCALE: N.T.S.

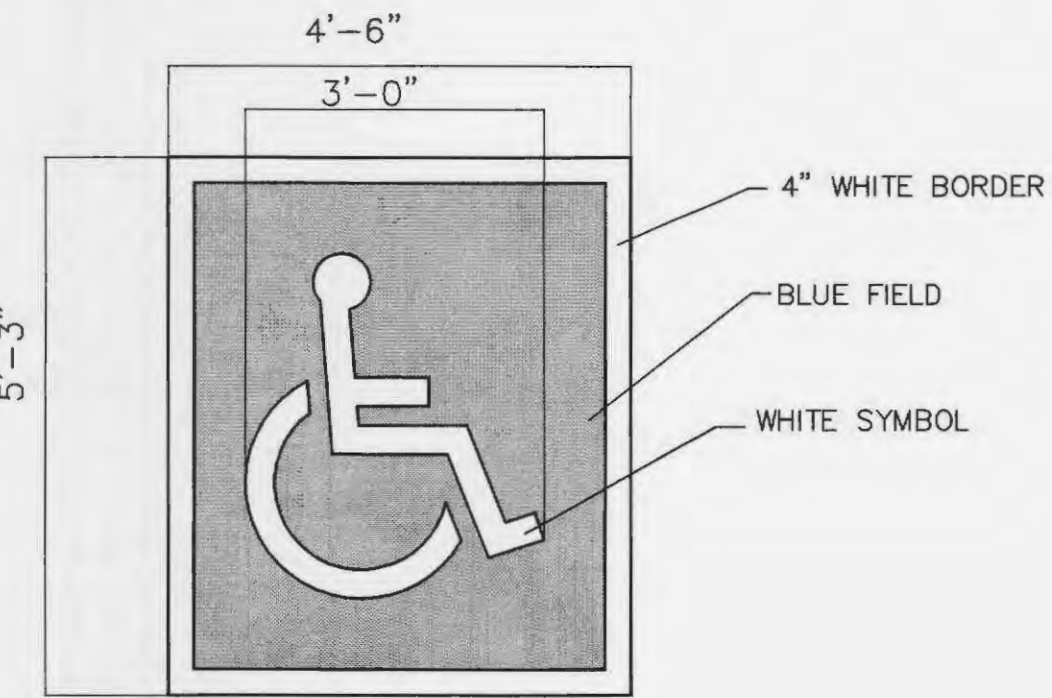


**ACCESSIBLE PARKING STALL - ADA**

SCALE: N.T.S.

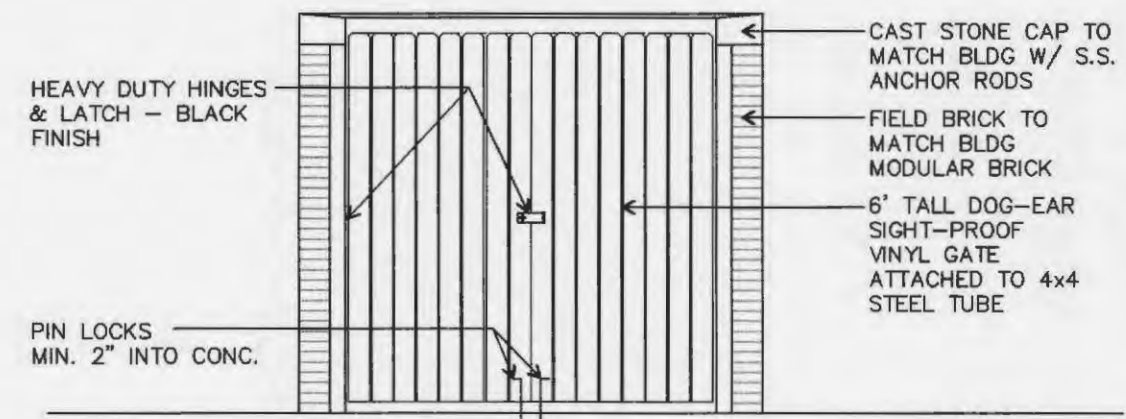
**ACCESSIBLE PARKING SIGN**

SCALE: N.T.S.



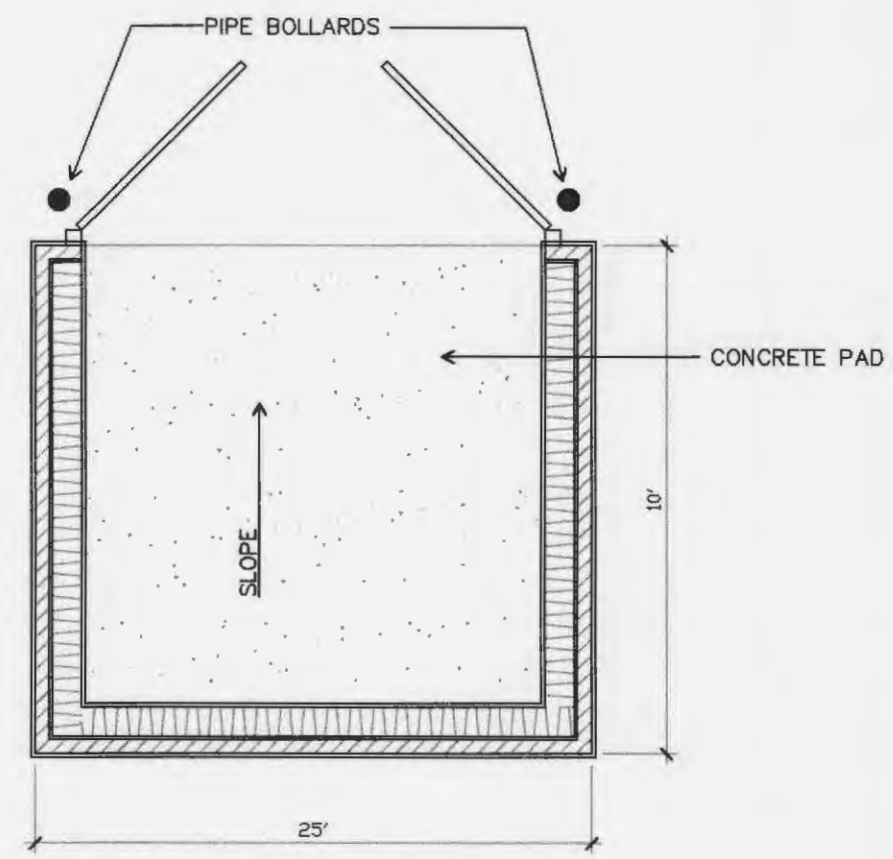
**ACCESSIBILITY SYMBOL PAVEMENT MARKING DETAIL**

SCALE: N.T.S.



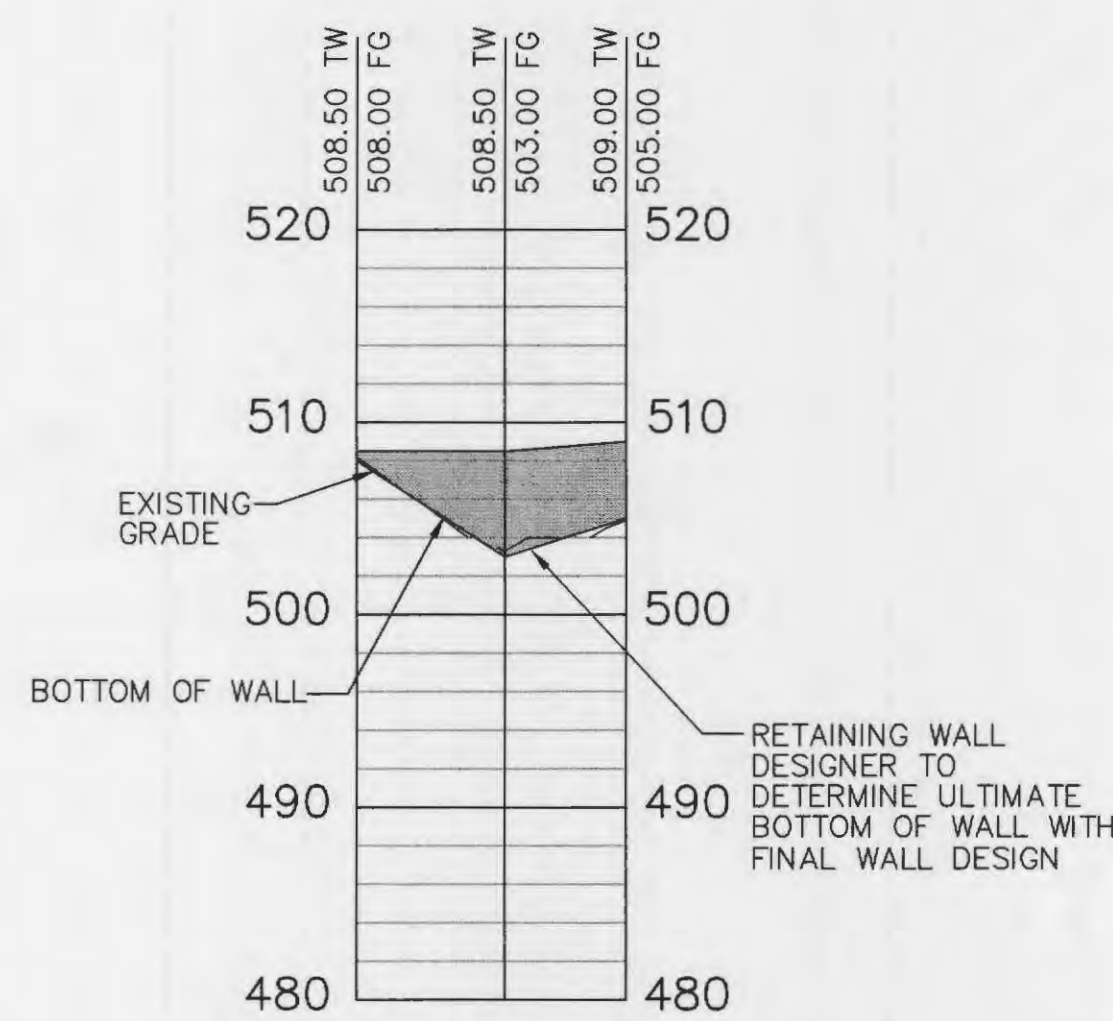
**TRASH ENCLOSURE GATE ELEVATION**

(n.t.s.)



**TRASH ENCLOSURE PLAN**

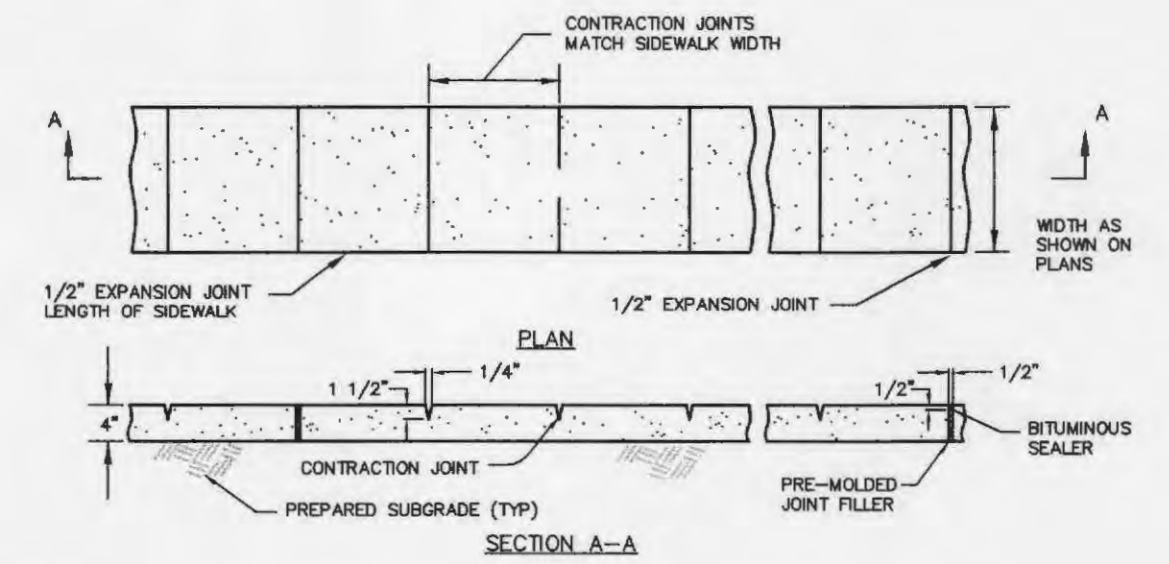
(n.t.s.)



**RETAINING WALL PROFILE**

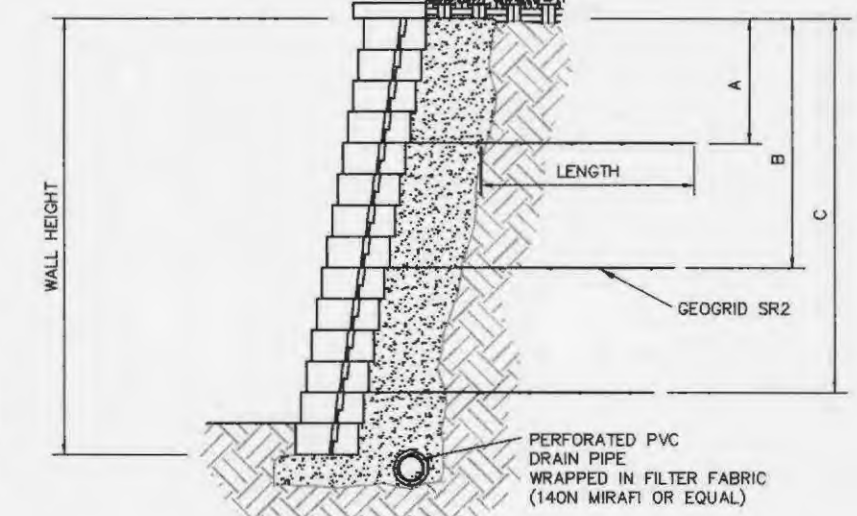
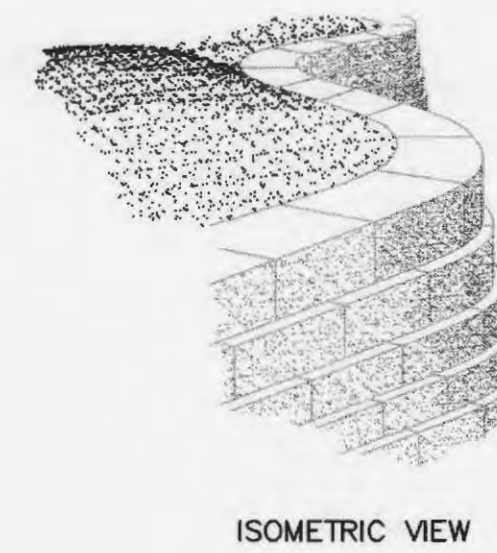
HORIZONTAL SCALE: 1"=30'  
VERTICAL SCALE: 1"=10'

NOTE:  
THE ABOVE INFORMATION IS A CONCEPT ONLY. ACTUAL DESIGN OF RETAINING WALL SHALL BE BY A LICENSED PROFESSIONAL ENGINEER & SUBMITTED TO STOCK AND ASSOCIATES FOR GENERAL COMPLIANCE W/ GRADING PLAN.



**CONCRETE SIDEWALK DETAIL**

(n.t.s.)



- NOTES:  
1.) ALL CONSTRUCTION SHALL BE PER THE MANUFACTURERS RECOMMENDATION.  
2.) SHOP DRAWINGS BEARING THE SEAL OF A REGISTERED ENGINEER IN THE STATE OF MISSOURI TO BE SUPPLIED TO THIS ENGINEER FOR APPROVAL.  
3.) ACCEPTED ALTERNATE WALL SYSTEM: KEYSTONE OR HERCULES  
4.) TW= TOP OF RETAINING WALL, FG= GRADE AT BASE OF WALL.  
5.) WALL DESIGNER TO COORDINATE ANY WALL STAGGER REQUIRED TO FACILITATE INSTALLATION OF FINAL RETAINING WALL SYSTEM. ANY ADJUSTMENTS SHALL BE REPORTED TO CIVIL ENGINEER FOR REVIEW.  
6.) WALL DESIGNER TO VERIFY PIPE THROUGH WALL DETAIL.

**VERSA-LOK RETAINING WALL TYPICAL SECTION**

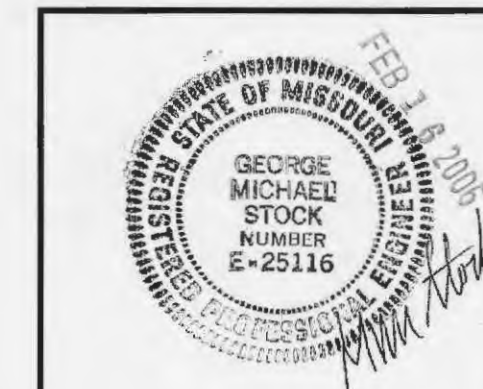
(n.t.s.)

REVISED PER PUBLIC WATER SUPPLY DISTRICT #2 COMMENTS 02/16/06

**MEDICAL OFFICE BUILDINGS  
CONSTRUCTION DETAILS**

**STOCK & ASSOCIATES**  
Consulting Engineers, Inc.

257 Chesterfield Business Parkway  
St. Louis, MO 63005  
PH: (636) 530-9100  
FAX: (636) 530-9130  
e-mail: general@stockassoc.com  
Web: www.stockassoc.com



GEORGE M. STOCK E-25116

DATE: 11/10/05 CHECKED BY: G.M.S. 11/10/05 JOB NUMBER: 204-3380.4 SHEET: C9 of 13