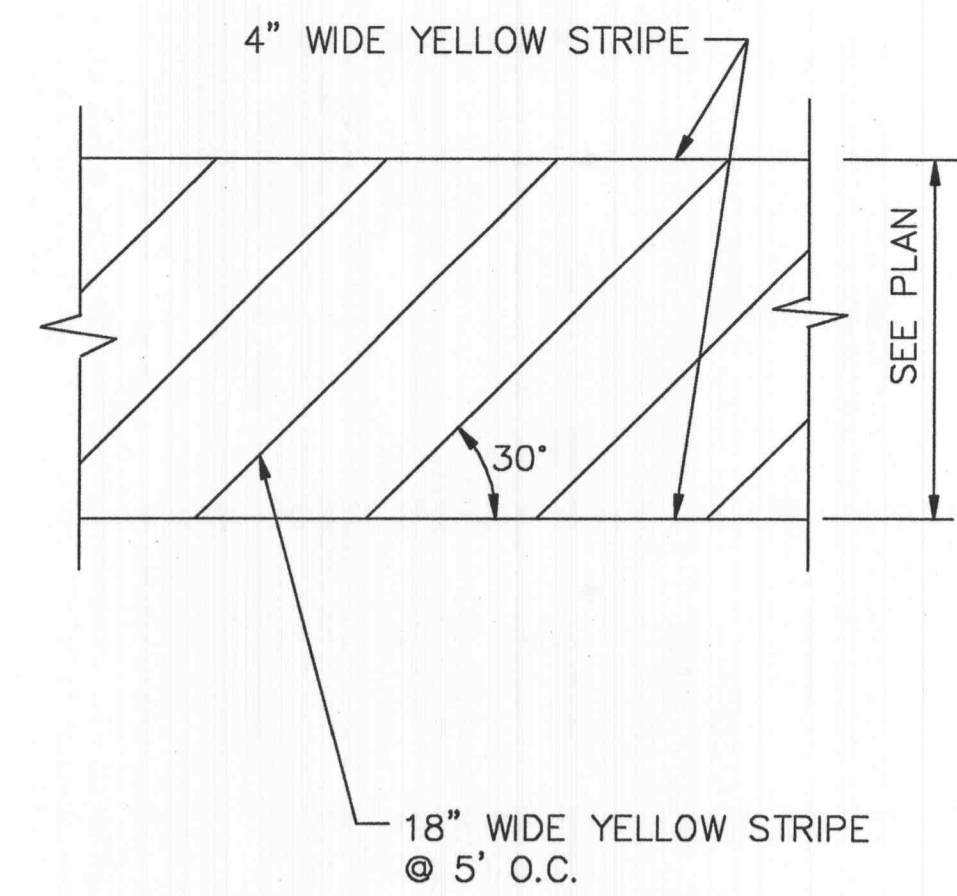
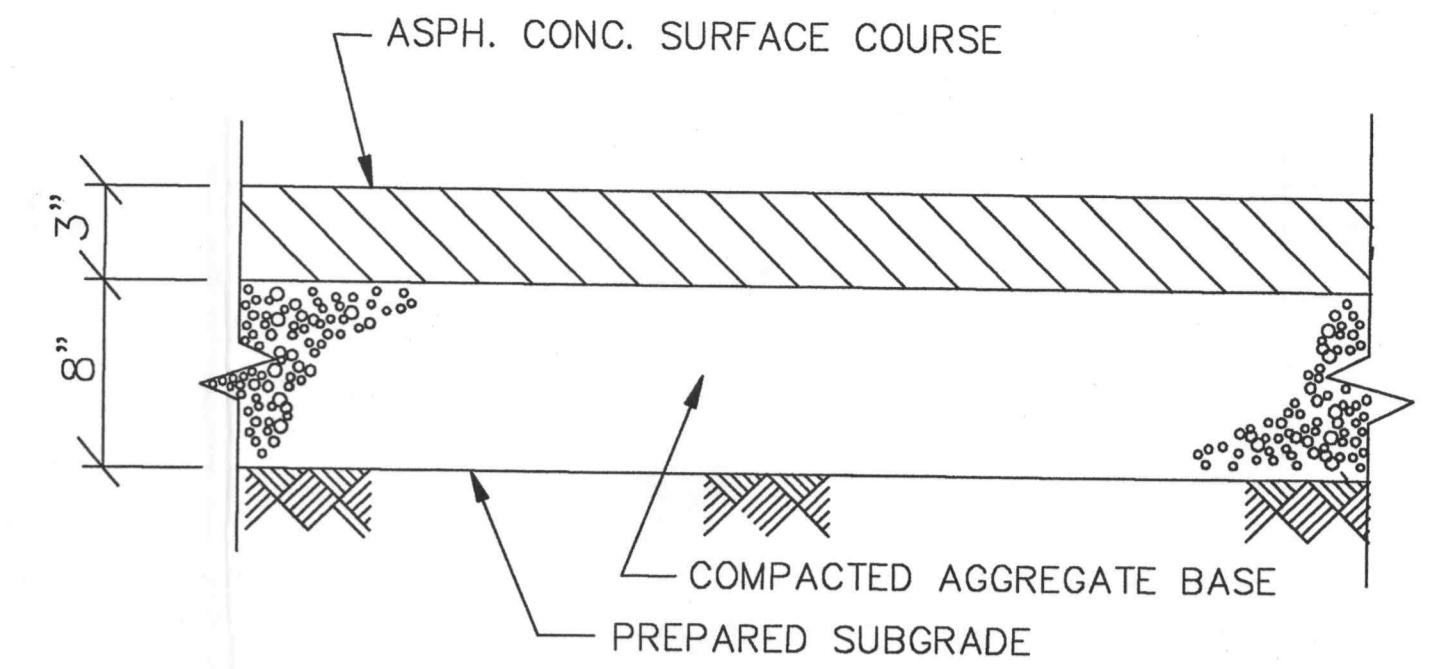


8 CONCRETE SIDEWALK DETAIL
SCALE: N.T.S. REF. DWG. C2.0

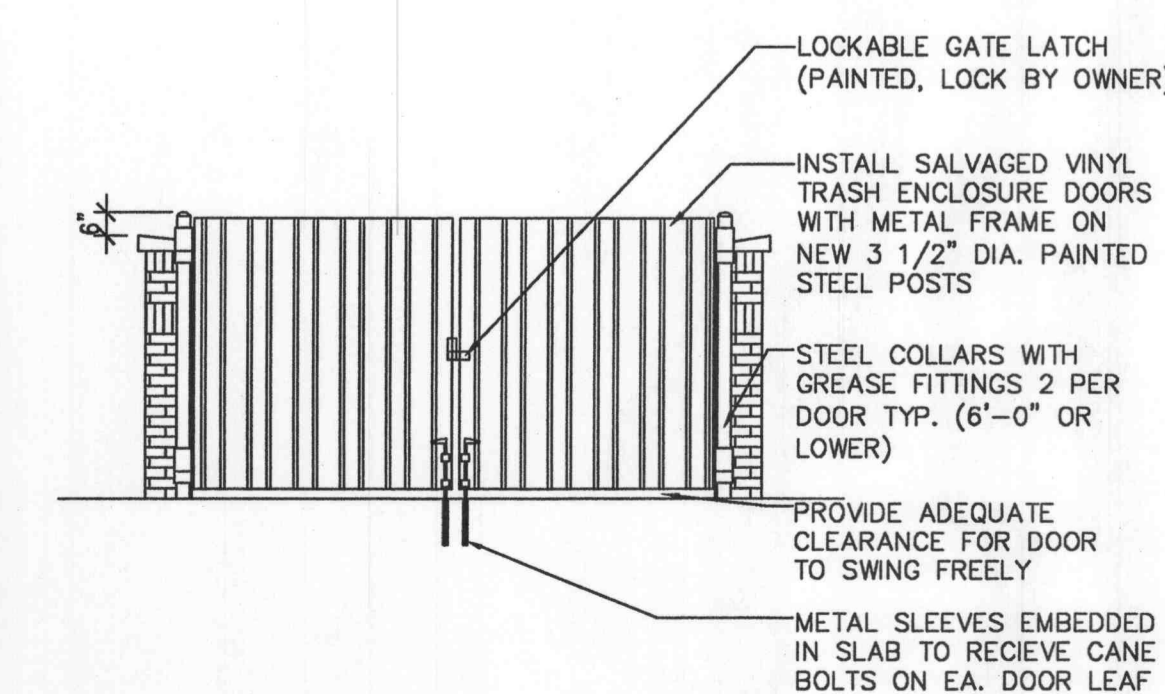
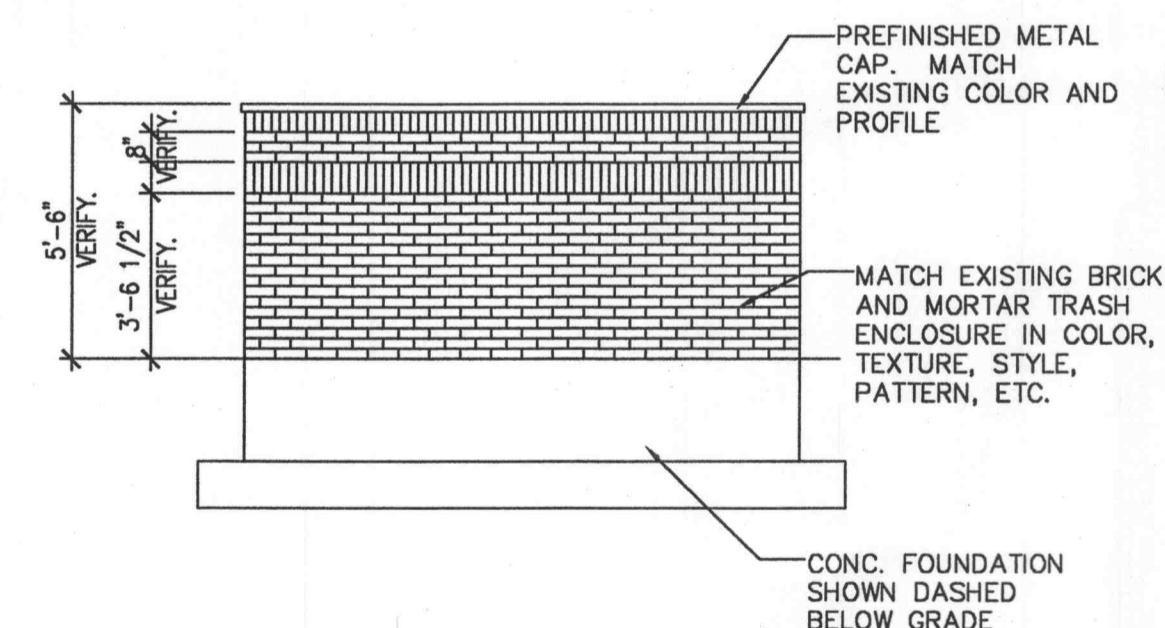
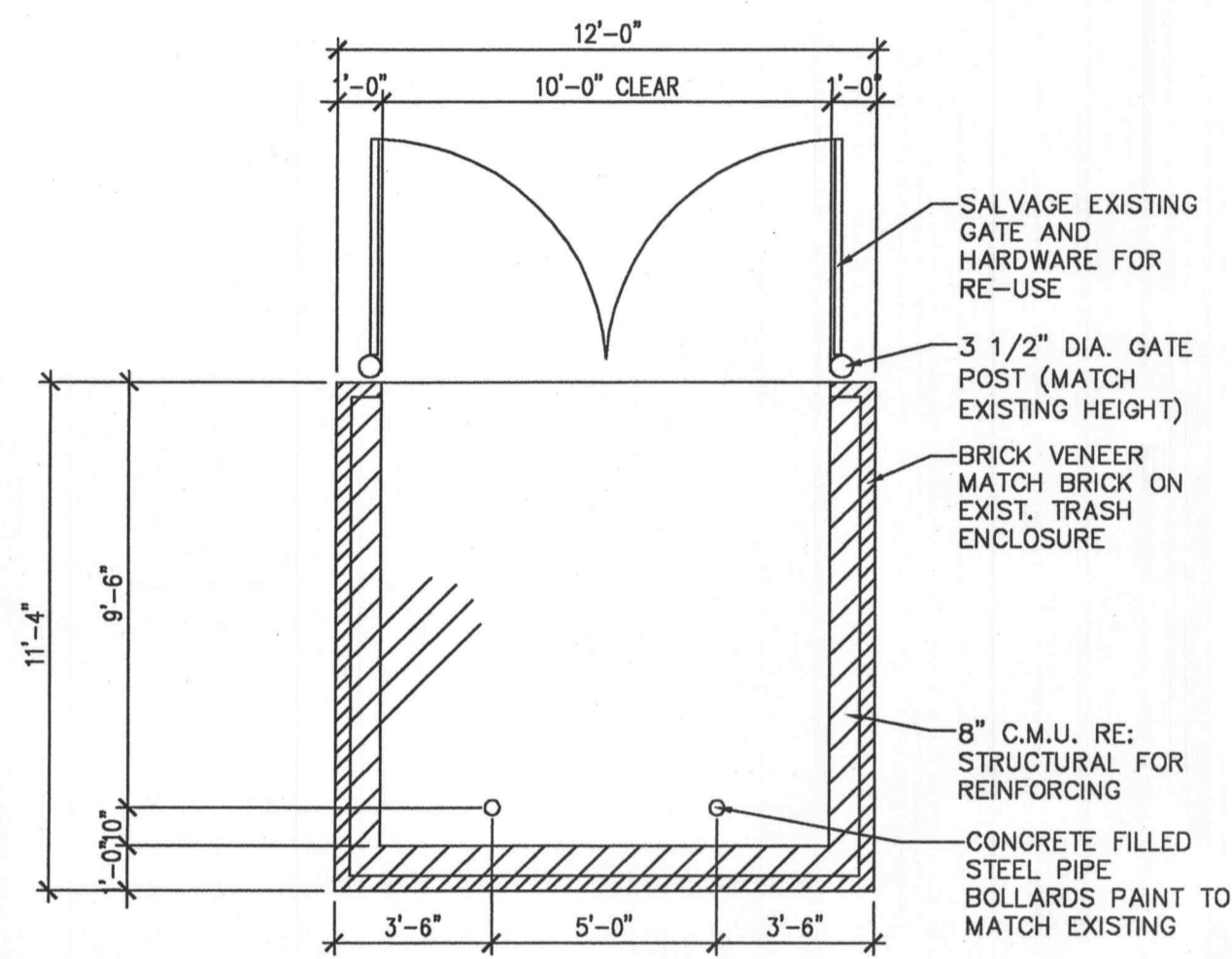


6 CROSSWALK STRIPING DETAIL
SCALE: N.T.S. REF. DWG. C2.0

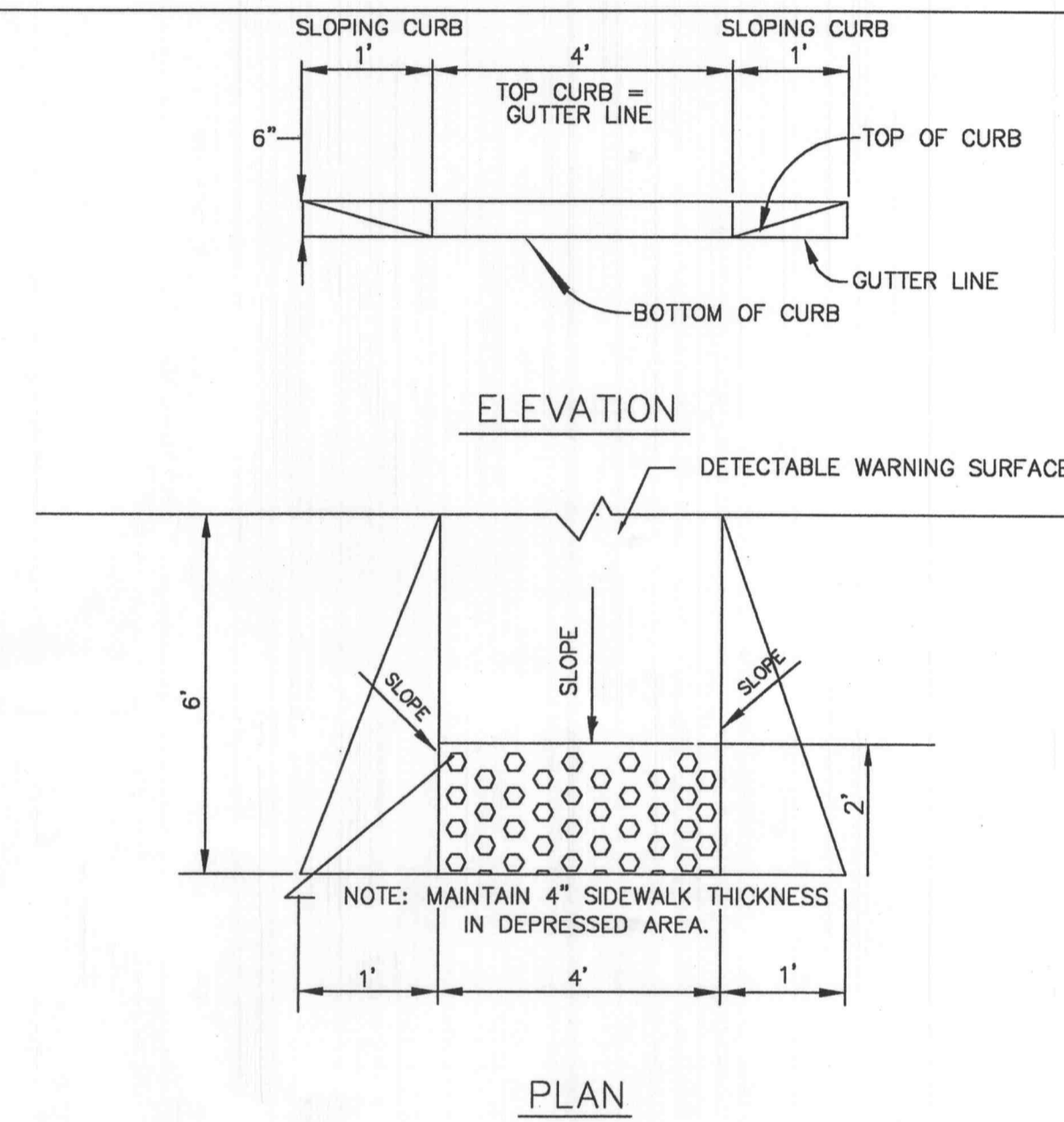


NOTE:
1. FINAL PAVEMENT SECTION TO BE VERIFIED AND DESIGNED BY GEOTECHNICAL ENGINEER UNDER CONTRACT WITH THE DEVELOPER.
2. THE MINIMUM ASPHALT PAVEMENT SECTION PER THE CITY OF O'FALLON IS 3" TYPE 'C' ASPHALT ON 8" AGGREGATE.

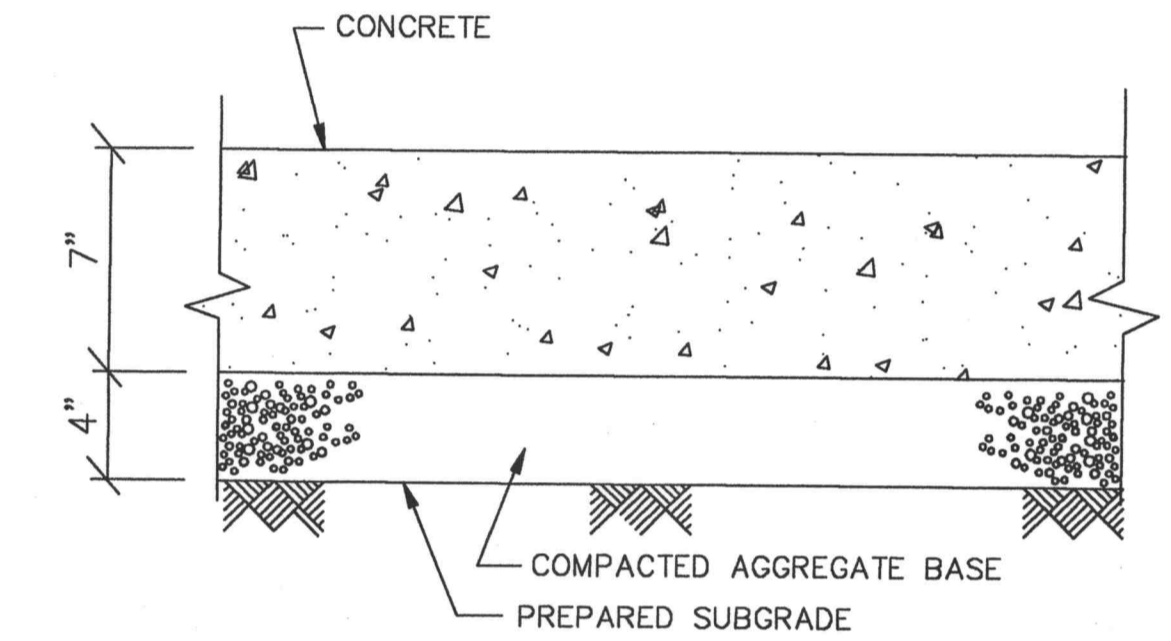
3 STANDARD DUTY ASPHALT PAVEMENT
SCALE: N.T.S. REF. DWG. C2.0



7 TRASH ENCLOSURE
SCALE: N.T.S. REF. DWG. C2.0

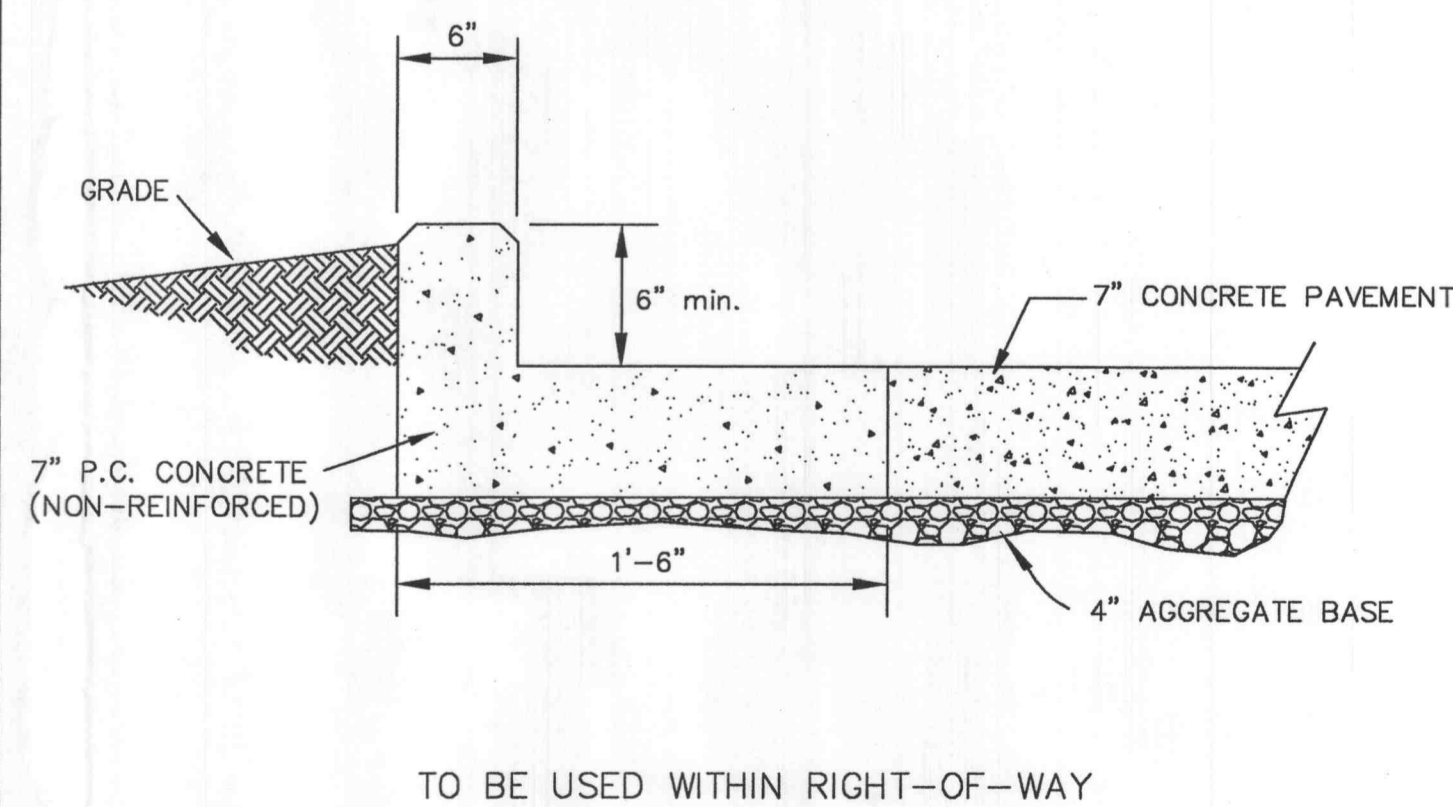


5 HANDICAP RAMP DETAIL
SCALE: N.T.S. REF. DWG. C2.0

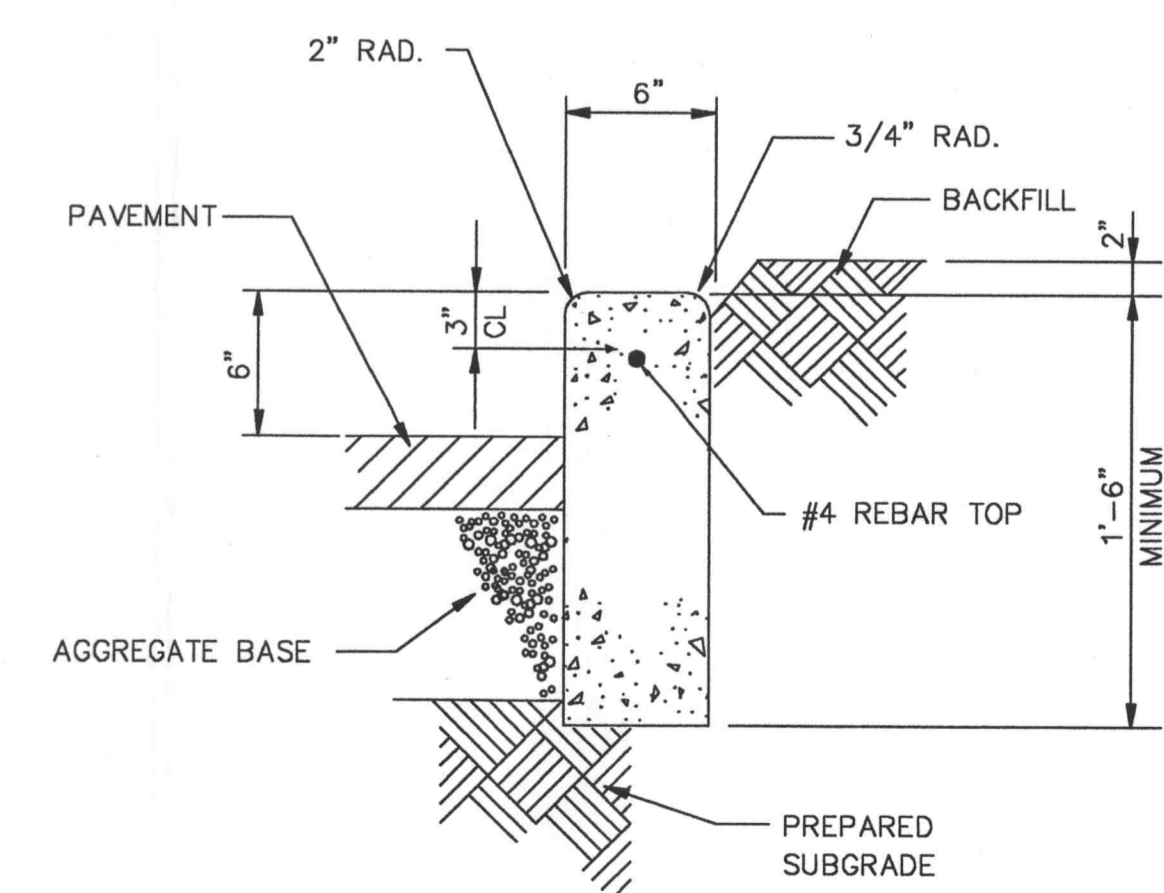


REFER TO GEOTECHNICAL REPORT FOR FINAL SPECIFICATIONS
NOTE:
1. FINAL PAVEMENT SECTION TO BE VERIFIED AND DESIGNED BY GEOTECHNICAL ENGINEER UNDER CONTRACT WITH THE DEVELOPER.

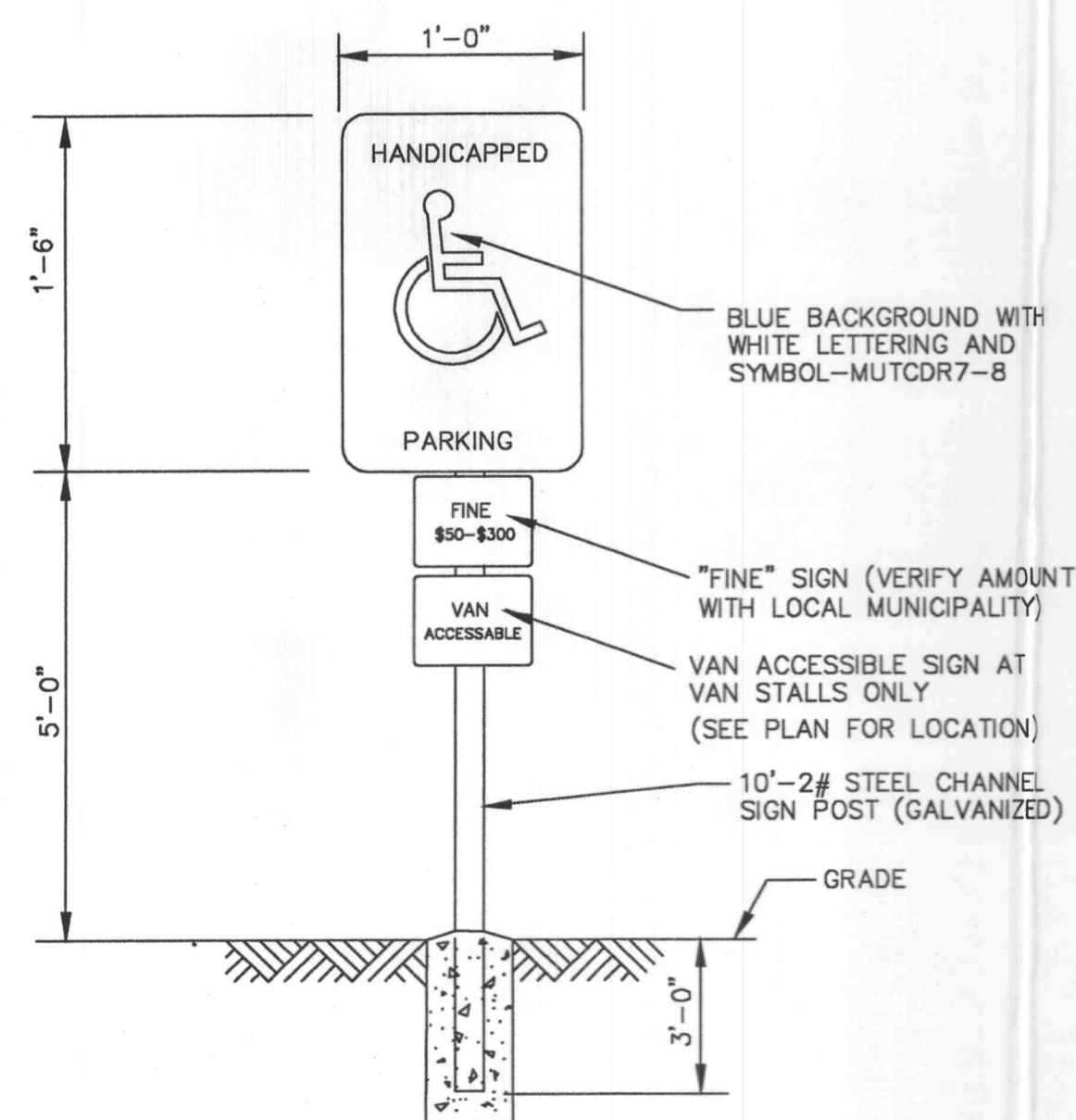
2 CONCRETE PAVEMENT
SCALE: N.T.S. REF. DWG. C2.0



4 CURB AND GUTTER DETAIL
SCALE: N.T.S. REF. DWG. C2.0



1 CONCRETE CURB DETAIL
SCALE: N.T.S. REF. DWG. C2.0



9 HANDICAP SIGN DETAIL
SCALE: N.T.S. REF. DWG. C2.0

DEVELOPER/OWNER:
MEAGLE PROPERTIES, LLC
1001 BOARDWALK SPRINGS PLACE
O'FALLON, MO 63366
(636) 561-9300

DATE: 10/10/06

REVISIONS:

DATE: 10/10/06

REVISED BY: JTR

COMMENTS:

THE PROFESSIONAL ENGINEER'S SEAL AND SIGNATURE ARE REQUIRED FOR ANY PART OF THIS PROJECT TO WHICH THIS SEAL APPLIES. THE PROFESSIONAL ENGINEER ASSUMES RESPONSIBILITY ONLY FOR WHAT APPEARS ON THIS PAGE, AND DISCLAIMS RESPONSIBILITY FOR ANY OTHER PARTS OF THE PROJECT. ANY CHANGES TO THE SPECIFICATIONS, DRAWINGS, OR OTHER DOCUMENTS FOR THIS PROJECT MUST BE MADE BY THE UNDERSIGNED PROFESSIONAL ENGINEER. ANY CHANGES MADE BY ANY OTHER PARTY TO ANY PART OF THIS PROJECT TO WHICH THIS SEAL APPLIES ARE VOID.

SEAL: **WILLIAM W. COLE**, PE 200407146, MISSOURI PROFESSIONAL ENGINEER

MARKETPLACE
7321 VILLAGE CENTER DRIVE
O'FALLON, MISSOURI

and ASSOCIATES INCORPORATED
10777 sunset office dr. suite 10
saint louis, missouri 63127
p. 314 984 9887 f. 314 984 0587

DESIGNED BY: BC
DRAWN BY: LM
CHECKED BY: JTR
DATE: 08/24/2006

Job Number: **06-182**
Sheet Number: **C3.0**

9831.34.06 - JULY 20, 2006

LAYOUT: C3.0 SITE DETAILS
DRAWING: C:\WORK\2006\08-182\06-182\DWG\06-182_C3.0_SITE_DETAILS.dwg