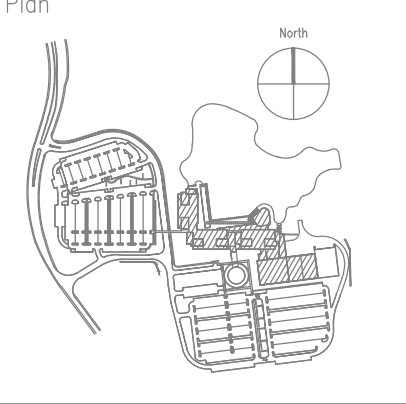


CONSULTANTS:
WM TAO & ASSOCIATES
 CONSULTING ENGINEERS

7955 Manchester Road, Suite 125 • St. Louis, Missouri 63143
 Phone: 314.984.7600 • Fax: 314.984.7601 • www.wmtao.com



MASTERCARD
 2200 MASTERCARD BLVD.
 O'FALLON, MISSOURI 63368

PARKING ADDITION

SEAL:



THE SEAL(S) AND SIGNATURE(S) APPLY ONLY TO THE DOCUMENT TO WHICH THEY ARE AFFIXED, AND EXPRESSLY DISCLAIM ANY RESPONSIBILITY FOR ALL OTHER PLANS, SPECIFICATIONS, ESTIMATES, REPORTS OR OTHER DOCUMENTS OR INSTRUMENTS RELATING TO OR INTENDED TO BE USED FOR ANY PART OR PARTS OF THE ARCHITECTURAL OR ENGINEERING PROJECT.

REV	DATE	DESCRIPTION	APPD

DATE ISSUED: 07/11/18

PROJ. NO.: 18018.01

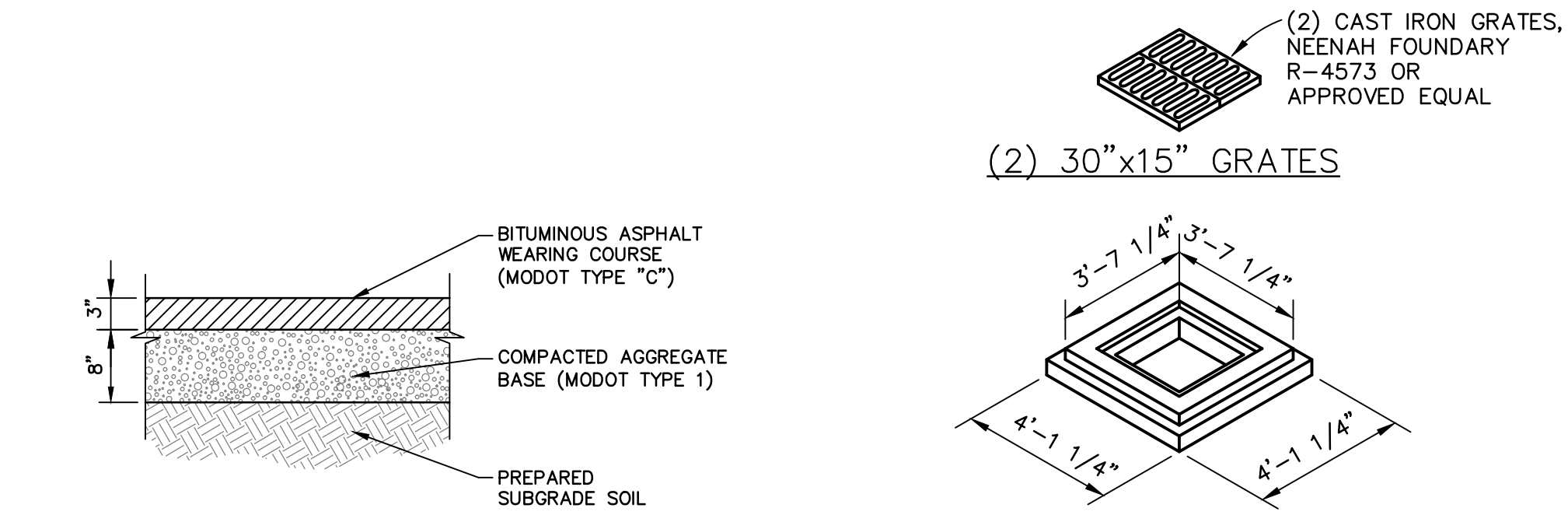
ENGINEER:

DRAWN BY:

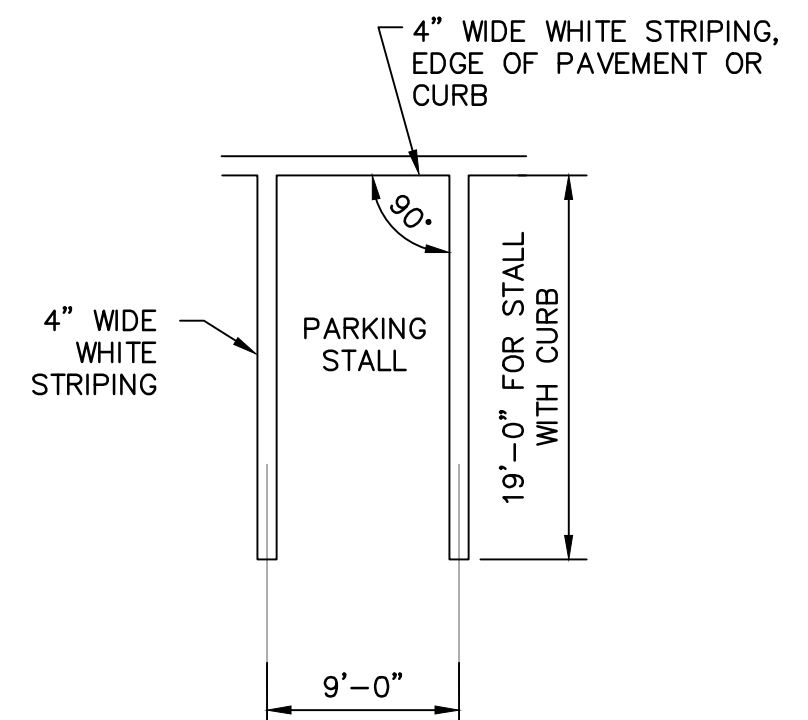
CHECKED BY:

DRAWING TITLE:

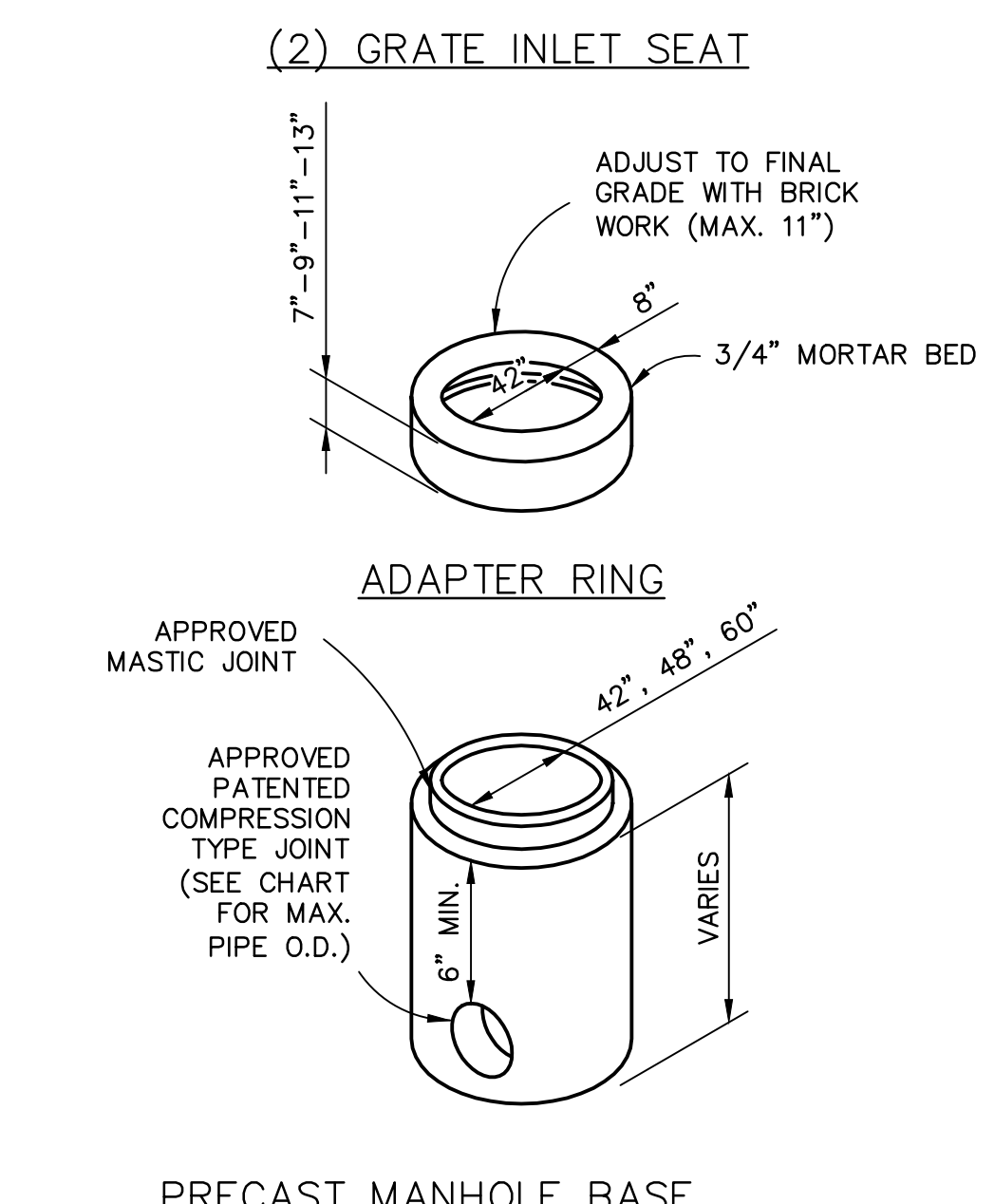
SHEET NO.:



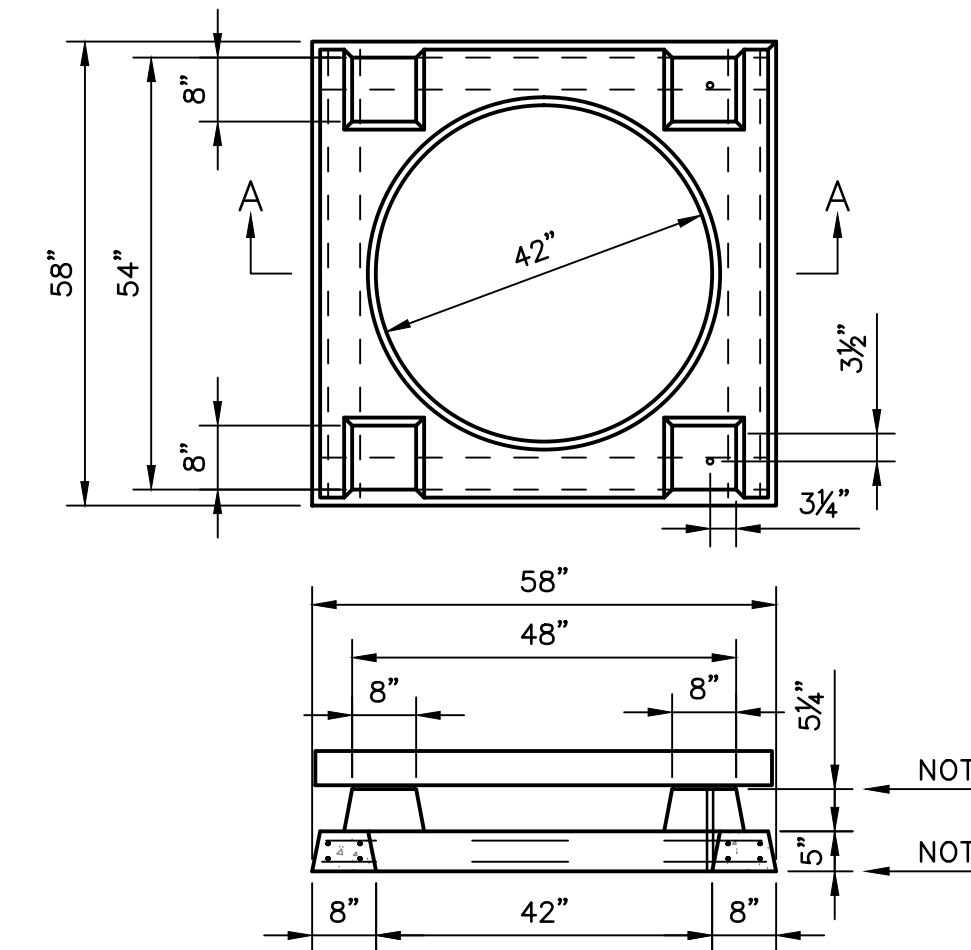
REGULAR DUTY ASPHALTIC CONCRETE PAVEMENT
 NO SCALE



TYPICAL PARKING STALL
 NO SCALE

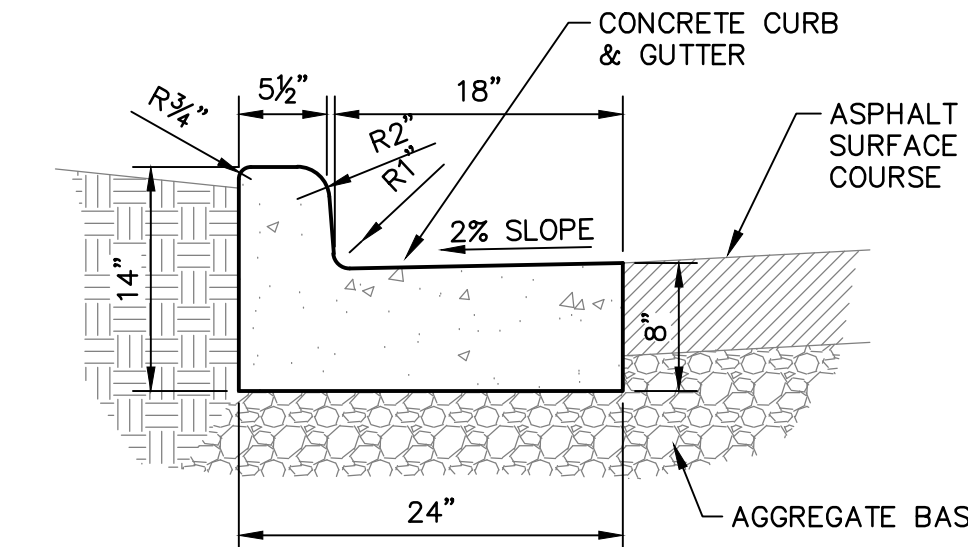


PRECAST CONCRETE (2) GRATE INLETS
 1/4" = 1'-0"



- SET STANDARD INLET STONE IN 3/4" MORTAR BED AND DOWEL WITH 5/8" x 1'-0" LONG PINS AND GROUT.
- RAISE FINAL GRADE WITH COURSES OF BRICK AND SET THE UNIT TO BASE WITH 3/4" MORTAR BED.
- THIS UNIT TO BE USED WITH 42" I.D. BASE.
- 5000 P.S.I. CONCRETE IS REQUIRED.

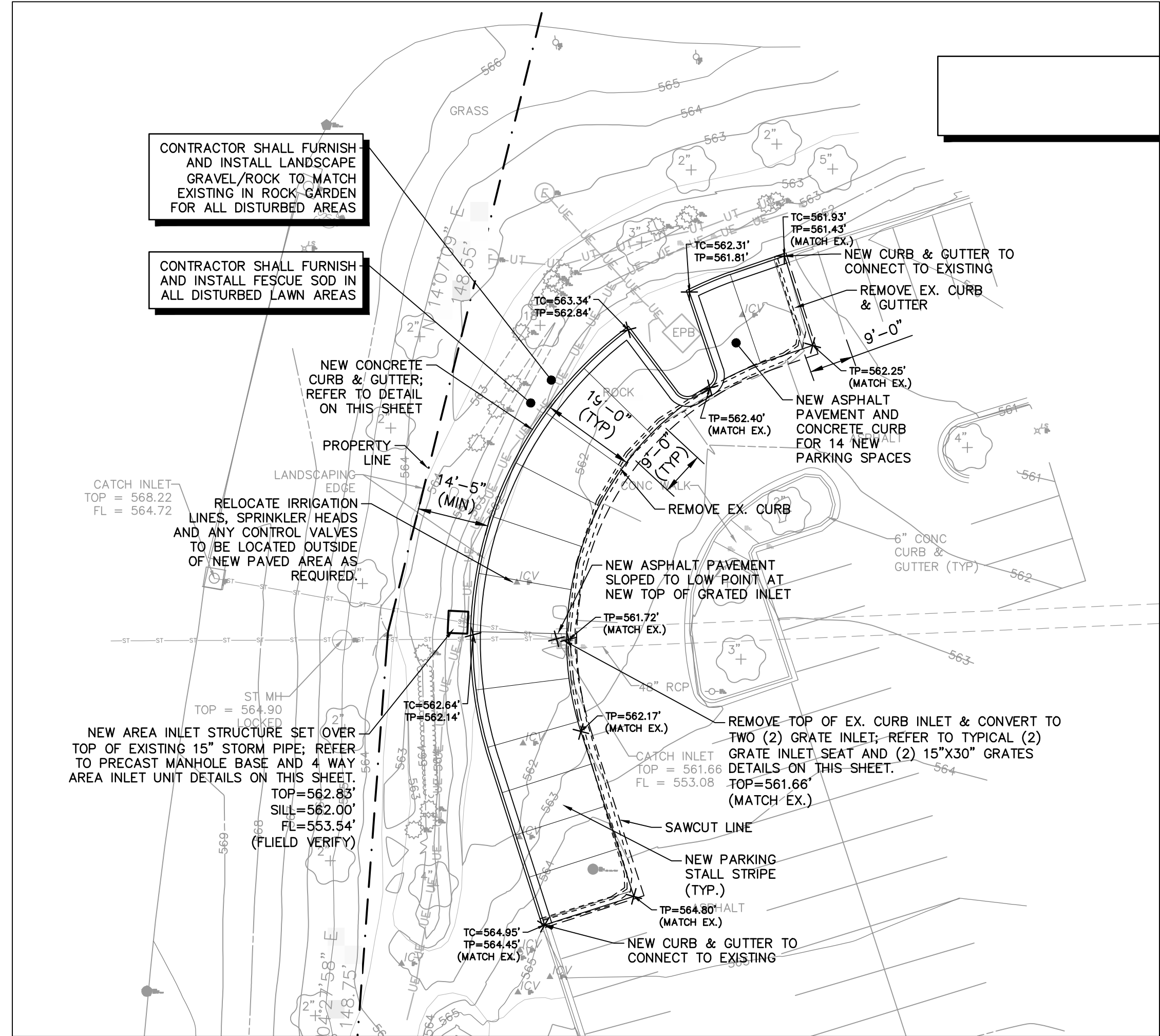
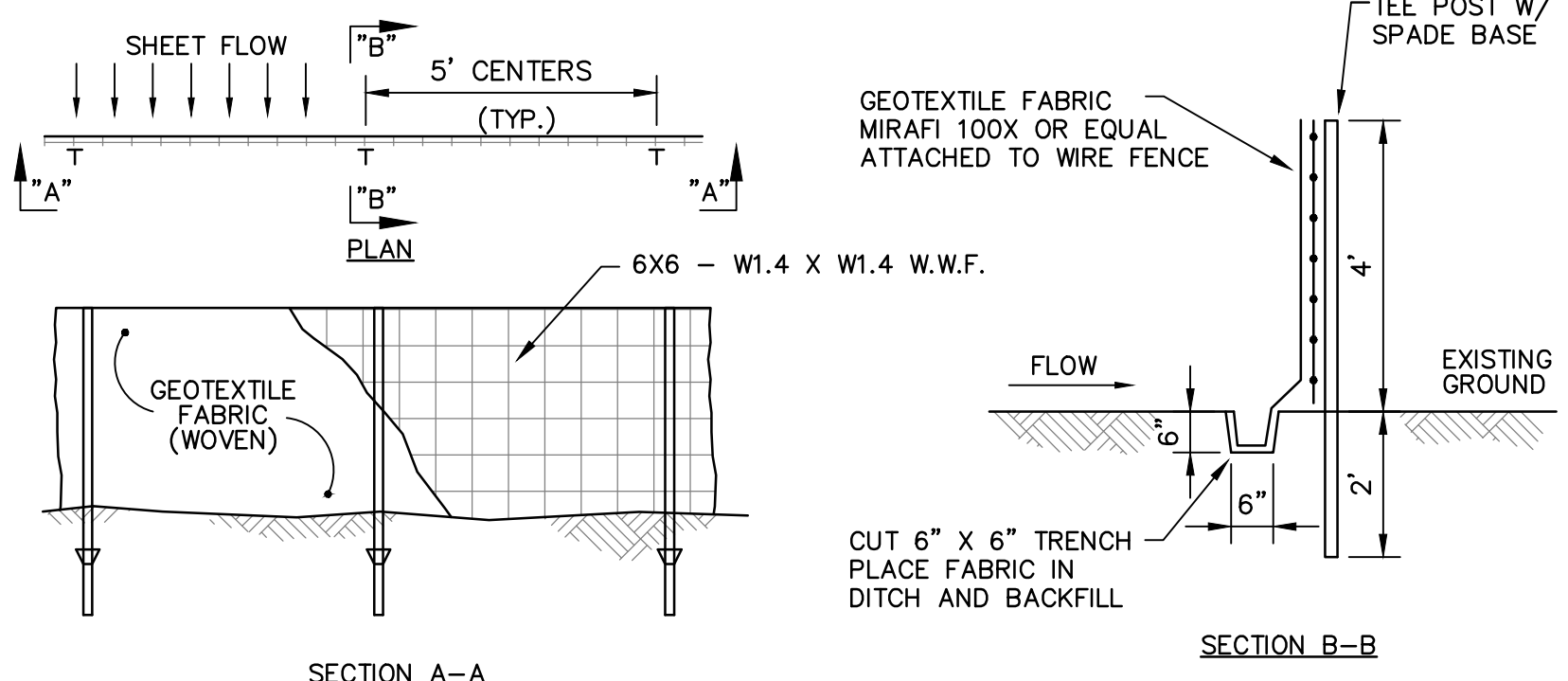
4 WAY AREA INLET UNIT
 NO SCALE



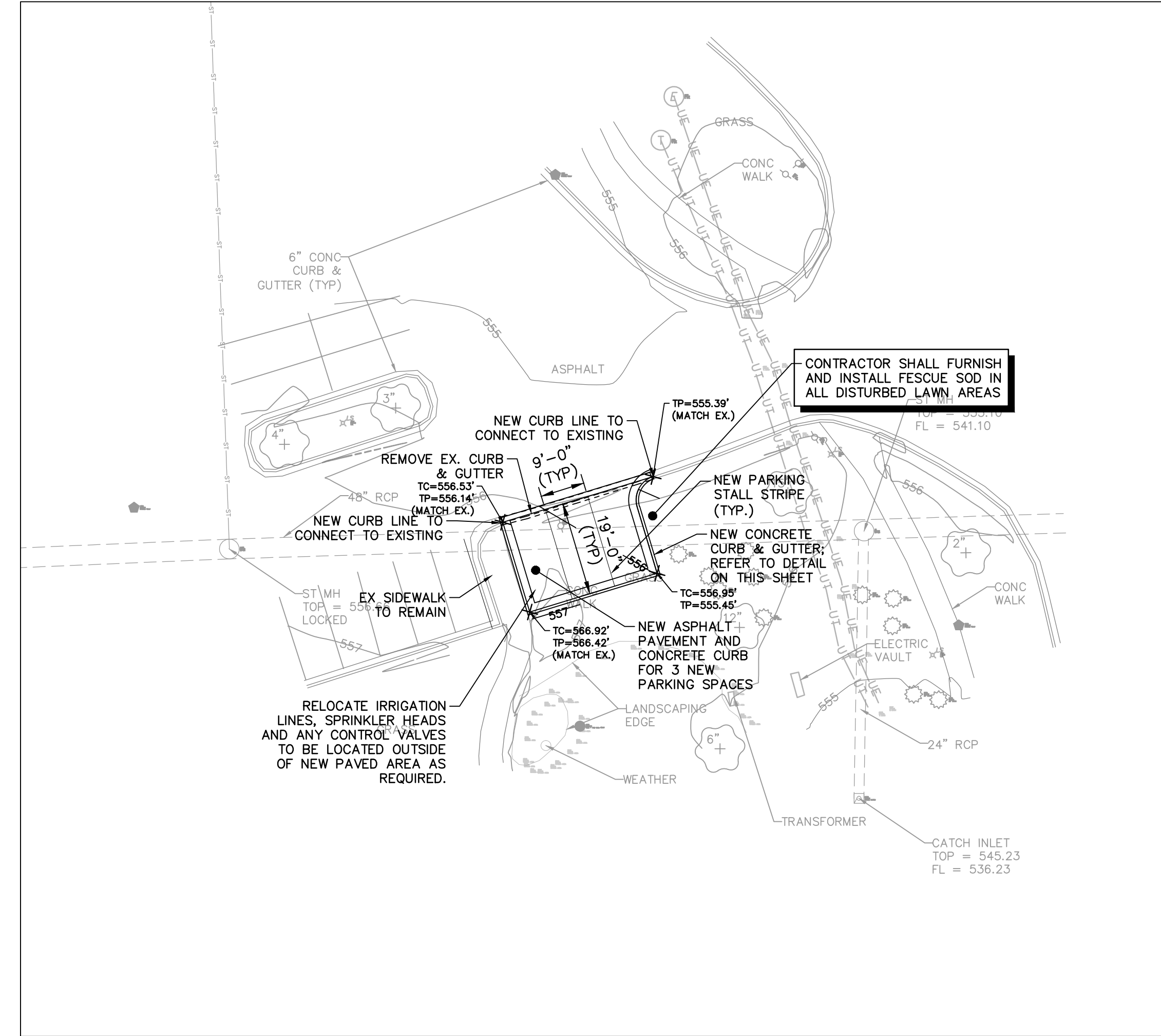
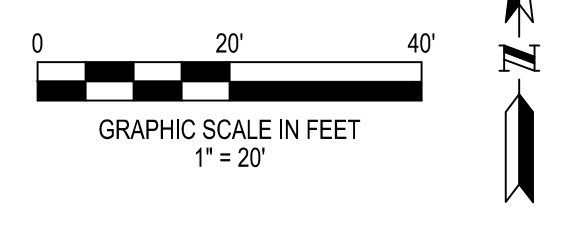
CONCRETE CURB BLOCK
 MNO SCALE

SILT FENCE SPECIFICATION

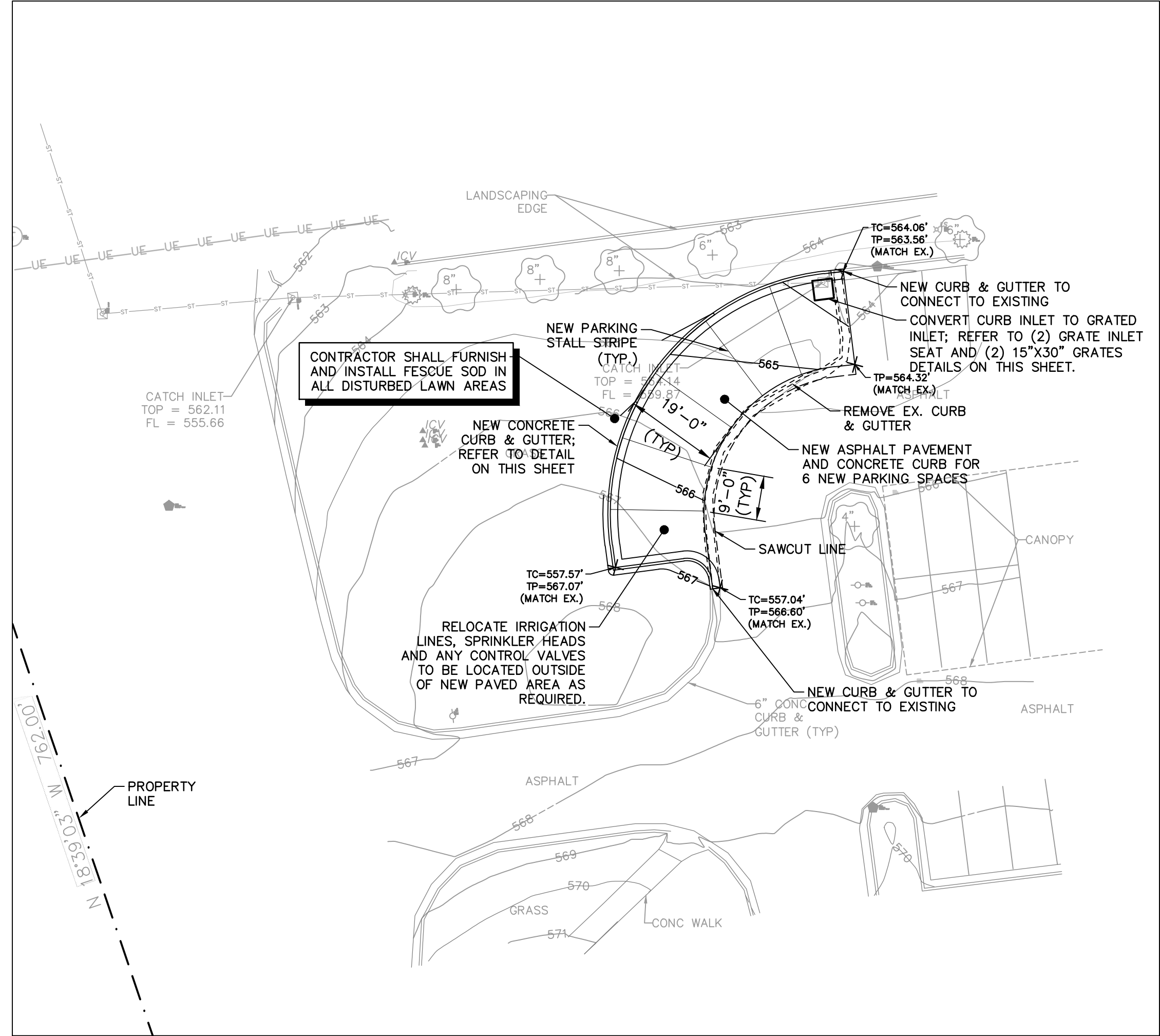
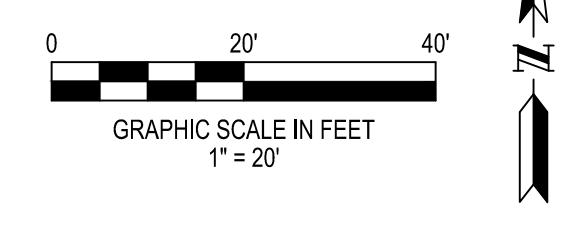
- SILT FENCE TO BE MIRAFI 100X OR EQUAL WOVEN GEOTEXTILE FABRIC.
- FABRIC TO BE SUPPORTED BY METAL TEE POST WITH SPADE BASE SPACED ON 5' CENTERS WITH 6X6-W1.4XW1.4 WELDED WIRE FABRIC.
- GEOTEXTILE FABRIC SHALL BE ENTRENCHED AND BACKFILLED. A TRENCH SHALL BE EXCAVATED A MINIMUM OF 6 INCHES DEEP FOR THE LENGTH OF THE FENCE. THE EXCAVATED SOIL SHALL BE BACKFILLED AGAINST THE FENCE.
- FENCE SHALL BE A MINIMUM OF 4 FEET IN HEIGHT, WITH THE FABRIC INSTALLED ON THE UPSTREAM SIDE.
- SILT FENCES SHALL BE USED ONLY ON SHEET FLOW CONDITIONS.
- SILT FENCES SHALL BE INSTALLED AROUND ALL STORM SEWER STRUCTURES.



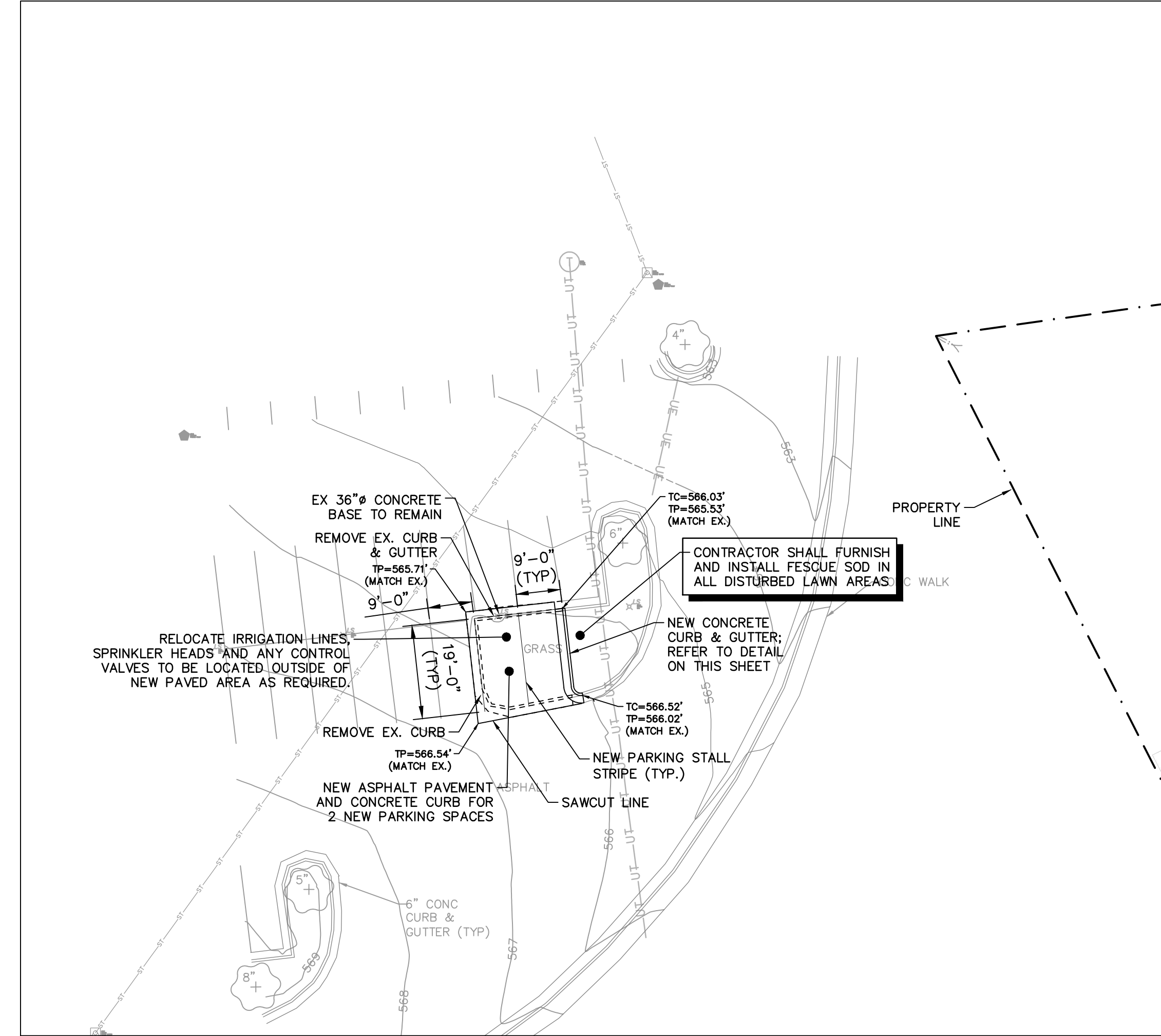
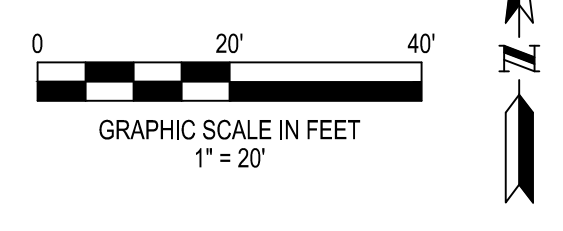
ENLARGED SITE PLAN - AREA A
 1" = 20'



ENLARGED SITE PLAN - AREA B
 1" = 20'



ENLARGED SITE PLAN - AREA C
 1" = 20'



ENLARGED SITE PLAN - AREA D
 1" = 20'

