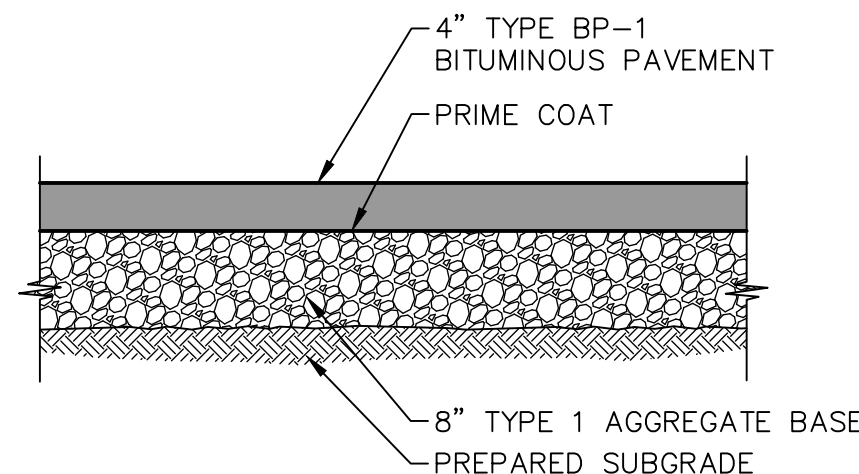


T = THICKNESS OF PAVEMENT (8" MIN.)

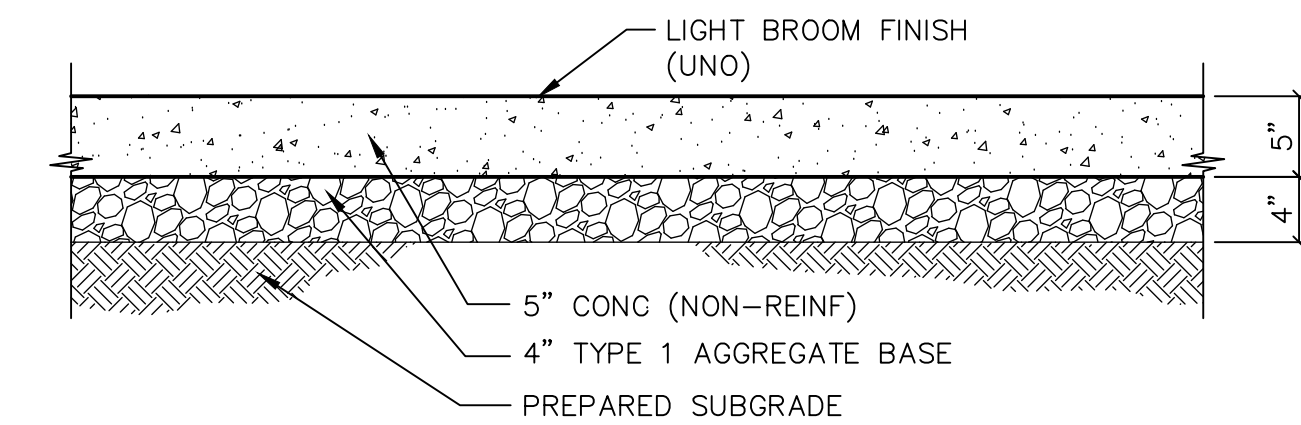
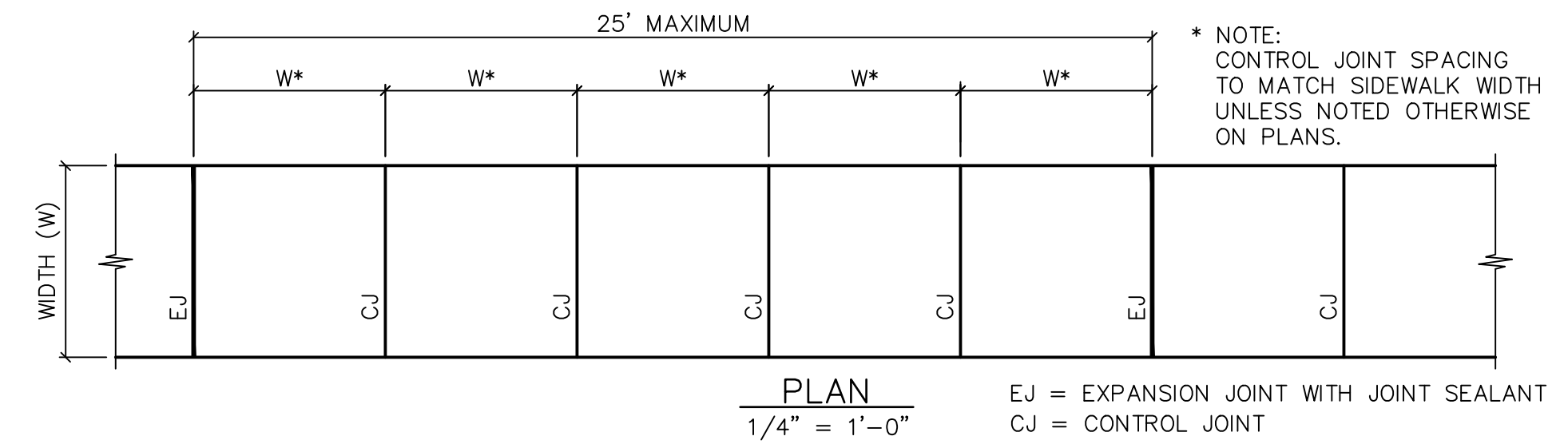
NOTE:
ALL NON-REINFORCED CONCRETE SHALL BE 4,000 PSI AT 28 DAYS.

1 INTEGRAL VERTICAL CURB AND GUTTER
C8.0 NTS



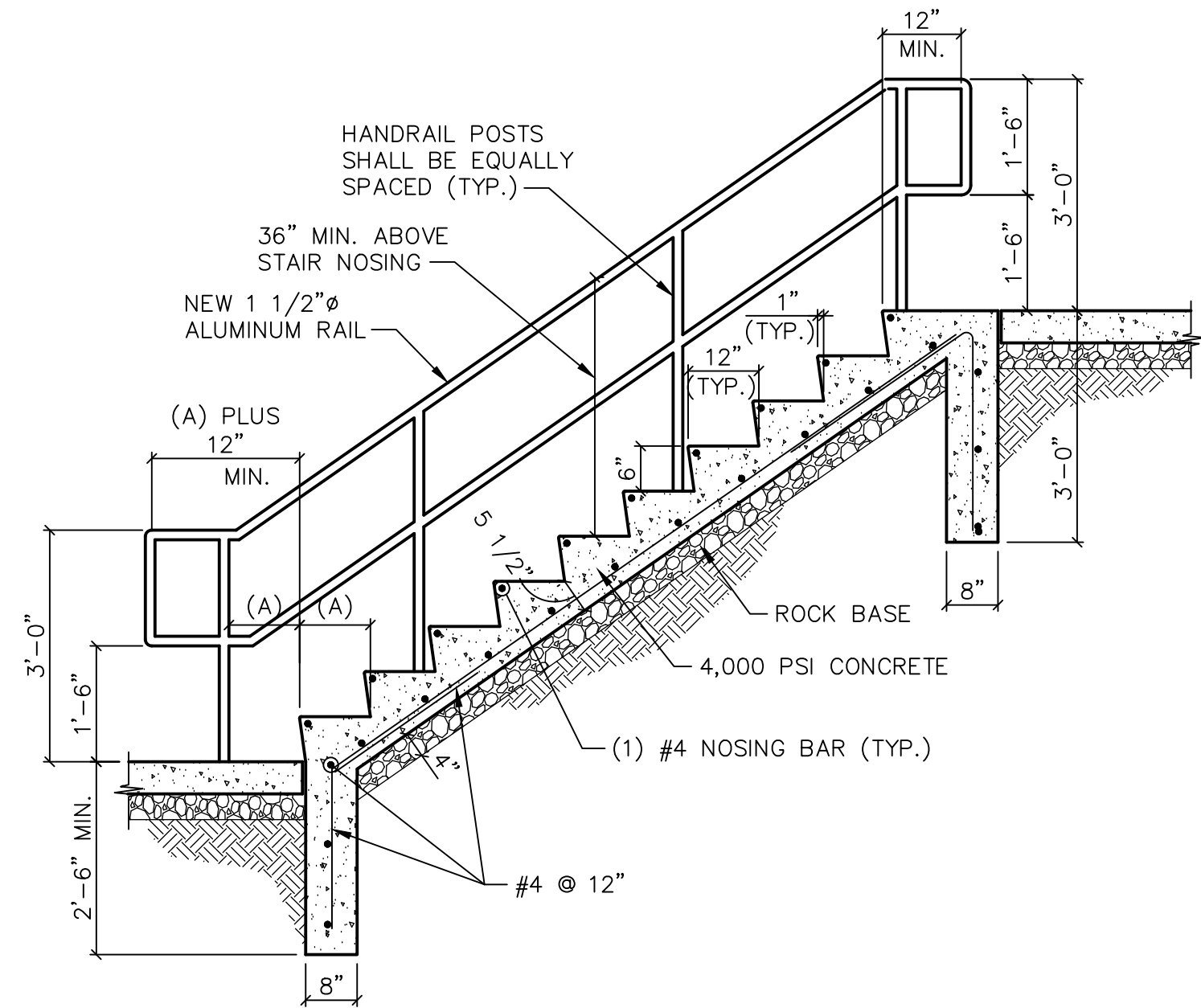
NOTE:
THE ASPHALT SURFACE SHALL BE COMPACTED TO 98% MAXIMUM DENSITY.

2 TYPICAL FULL DEPTH ASPHALT PAVEMENT
C8.0 NTS

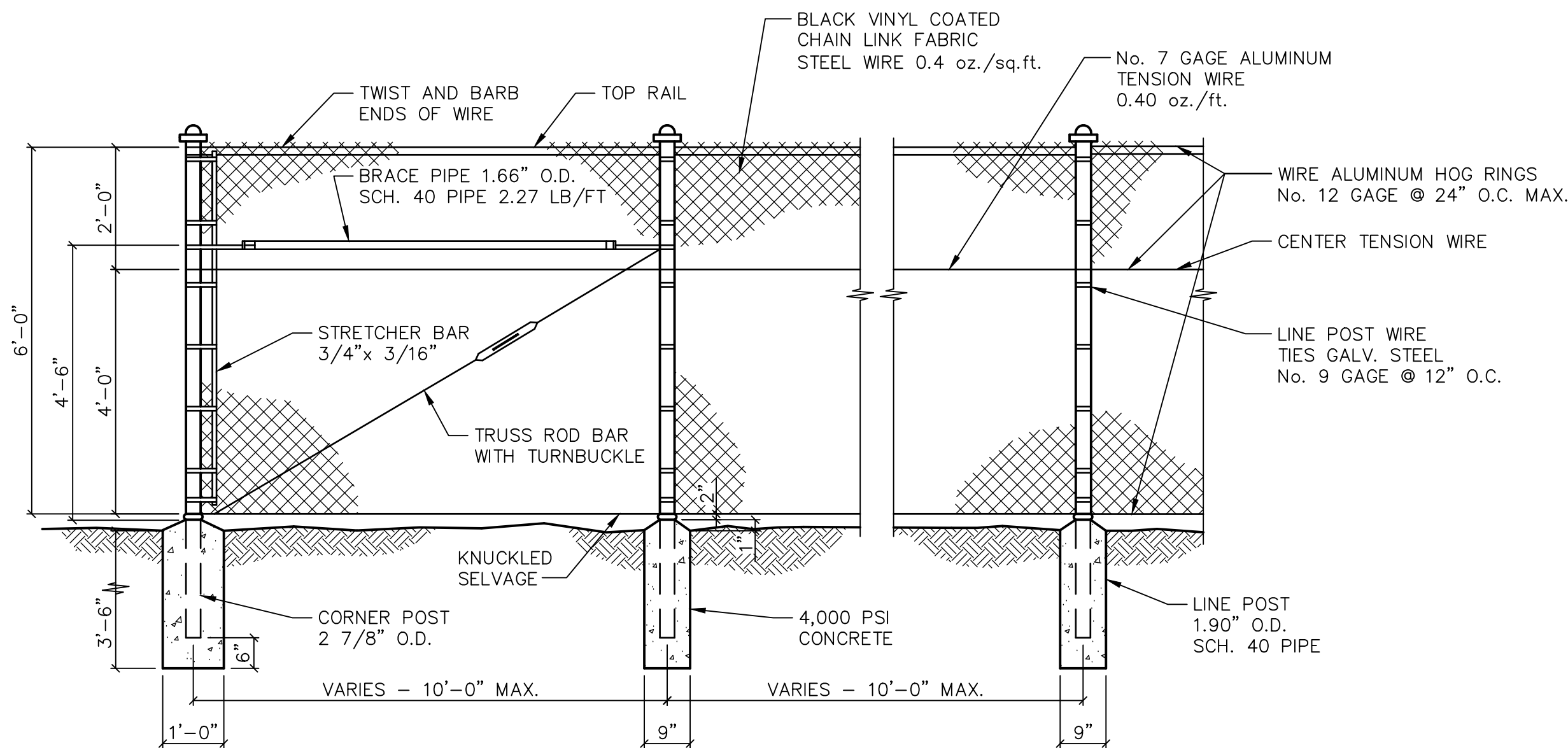


NOTE:
ALL NON-REINFORCED CONCRETE SHALL BE 4,000 PSI AT 28 DAYS.

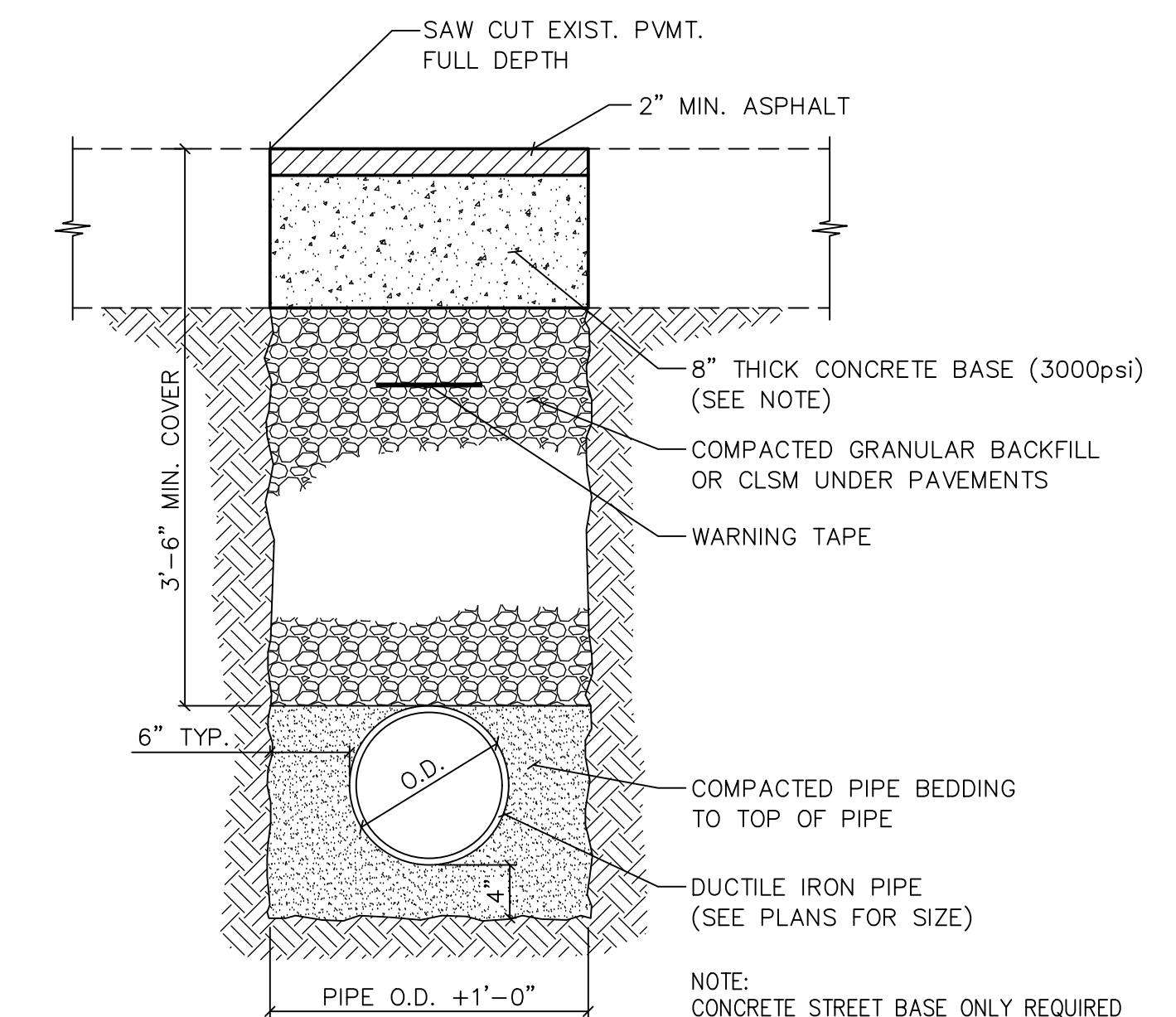
3 CONCRETE SIDEWALK
C8.0 SCALE: AS NOTED



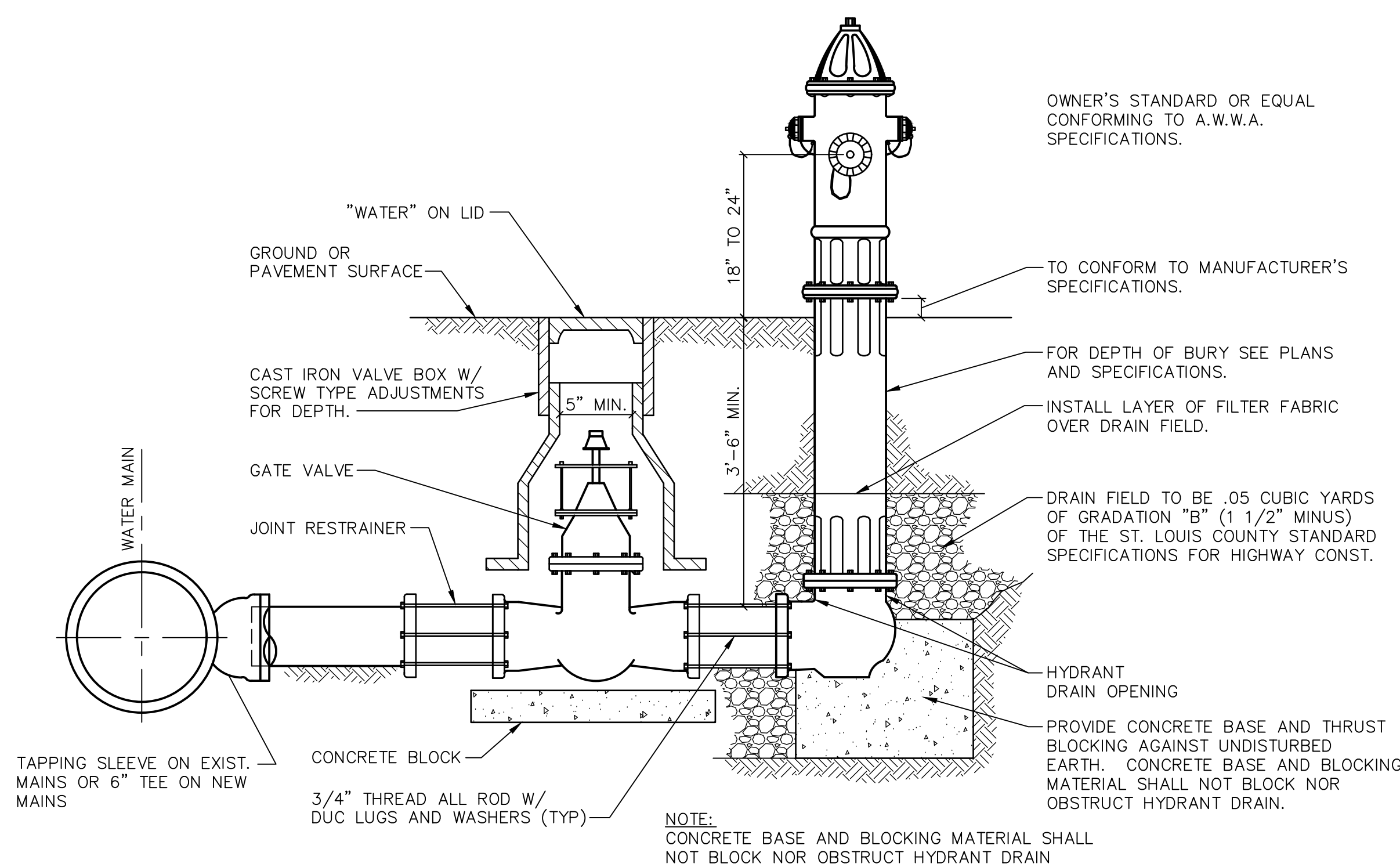
4 STAIR DETAIL
C8.0 NTS



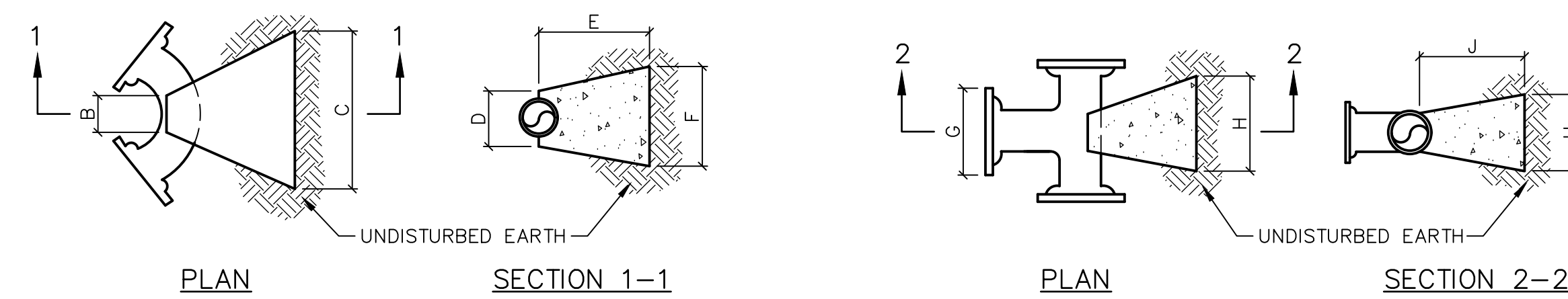
5 TYPICAL 6' TALL CHAIN LINK FENCE
C8.0 NTS



6 WATERLINE CONSTRUCTION
C8.0 SCALE: 1" = 1'-0"



7 FIRE HYDRANT DETAIL
C8.0 SCALE: N.T.S.



BENDS	B	C	D	E	F
6"-11 1/4"	8"	15"	12"	24"	10"
6"-22 1/2"	8"	19"	21"	24"	13"
6"-45"	8"	30"	12"	24"	14"
6"-90"	8"	30"	12"	24"	27"
8"-11 1/4"	8"	20"	12"	24"	27"
8"-22 1/2"	8"	22"	12"	24"	17"
8"-45"	8"	30"	12"	24"	24"
8"-90"	8"	38"	12"	24"	36"

TEES	G	H	K	J
6" x 6" x 6"	12"	24"	24"	18"
8" x 8" x 6"	12"	24"	24"	18"
8" x 8" x 8"	12"	24"	24"	24"

TEES X	6"	8"	12"	PLUG
6"	4.0	--	--	4.0
8"	4.0	5.0	--	5.0

CUBIC FEET OF CONCRETE REQUIRED				
BENDS	11 1/4'	22 1/2'	45'	90'
6"	1.7	2.4	3.5	5.5
8"	2.1	3.1	5.0	8.5
12"	3.7	5.9	9.7	17.5

TAPPING SLEEVES TO HAVE THRUST BLOCKS SAME SIZE AS REQUIRED FOR TEES.

8 THRUST BLOCKS
C8.0 SCALE: N.T.S.



David Mason and Associates, Inc.
Missouri Certificate of Authority #444
Engineer: 001103
Architect: 000620
Survey: 000336

Consultants:
Consultants Title and Discipline
Certificate of Authority #444
Street Address:
City, State, Zip Code
P. (xxx) xxx-xxxx F. (xxx) xxx-xxxx

MASTERCARD PARKING LOT "E"
 2200 MASTERCARD BOULEVARD
 O'FALLON, MISSOURI 63368



MICHAEL J. MUELLER, P.E.
CIVIL ENGINEER
E-2000150045

This document is only part of the total contract and/or construction document package. Other documents could contain information that may not be depicted here. The general contractor is responsible to provide all bidders with all information and documents pertaining to the complete scope of work.

No.	Description	Date
	City Submittal	10/18/18
	City Comments	11/21/18
	City Comments	01/07/19

Sheet Title:
CIVIL CONSTRUCTION DETAILS

Date: 10/01/2018
Project Number: 2018364-00
Designed By: MJM
Drawn By: TJR
Checked By: MJM
Sheet Number:

C8.0