



800 South Vandeventer St. Louis, Missouri 63110
 p (314) 534-1030
 f (314) 534-1053

David Mason and Associates, Inc.
 Missouri Certificate of Authority Number:
 Engineer: 001103
 Architect: 000620
 Survey: 000336

Consultants:
 Consultants Title and Discipline
 Certificate of Authority ####
 Street Address
 City, State, Zip Code
 P. (XXX) XXX-XXXX F. (XXX) XXX-XXXX
 Consultants Title and Discipline
 Certificate of Authority ####
 Street Address
 City, State, Zip Code
 P. (XXX) XXX-XXXX F. (XXX) XXX-XXXX

MASTERCARD PARKING LOT "E"
 2200 MASTERCARD BOULEVARD
 O'FALLON, MISSOURI 63368



MICHAEL J. MUELLER, P.E.
 CIVIL ENGINEER
 E-2000150045

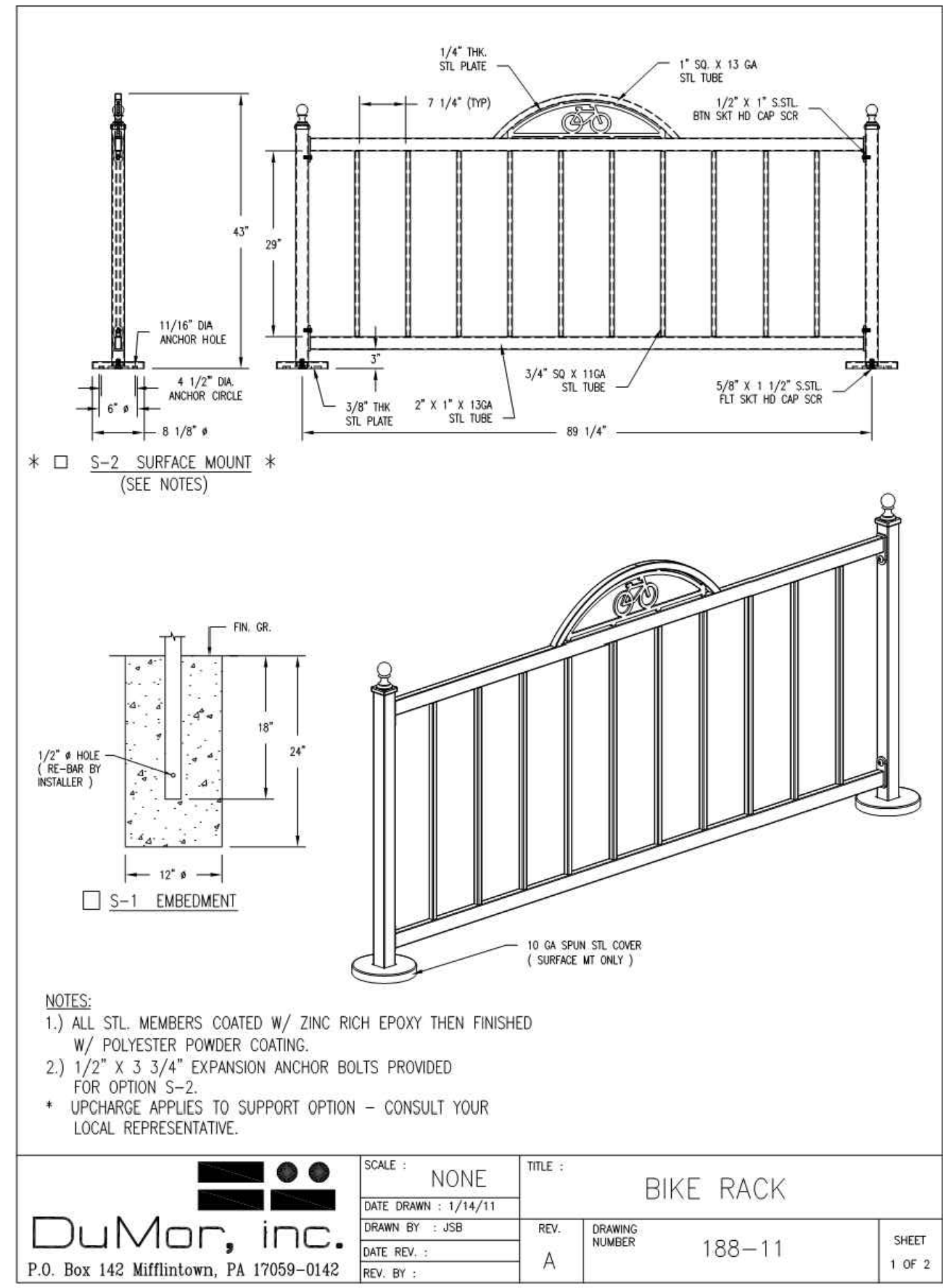
This document is only part of the total contract and/or construction document package. Other documents could contain information that may not be depicted here. The general contractor is responsible to provide all bidders with all information and documents pertaining to the complete scope of work.
 The seals and signatures apply only to the document to which they are affixed, and expressly disclaim any responsibility for all other plans, specifications, estimates, reports or other documents or instruments relating to or parts of the Architectural or Engineering project.

No.	Description	Date
	City Submittal	10/18/18
	City Comments	11/21/18
	City Comments	01/07/19

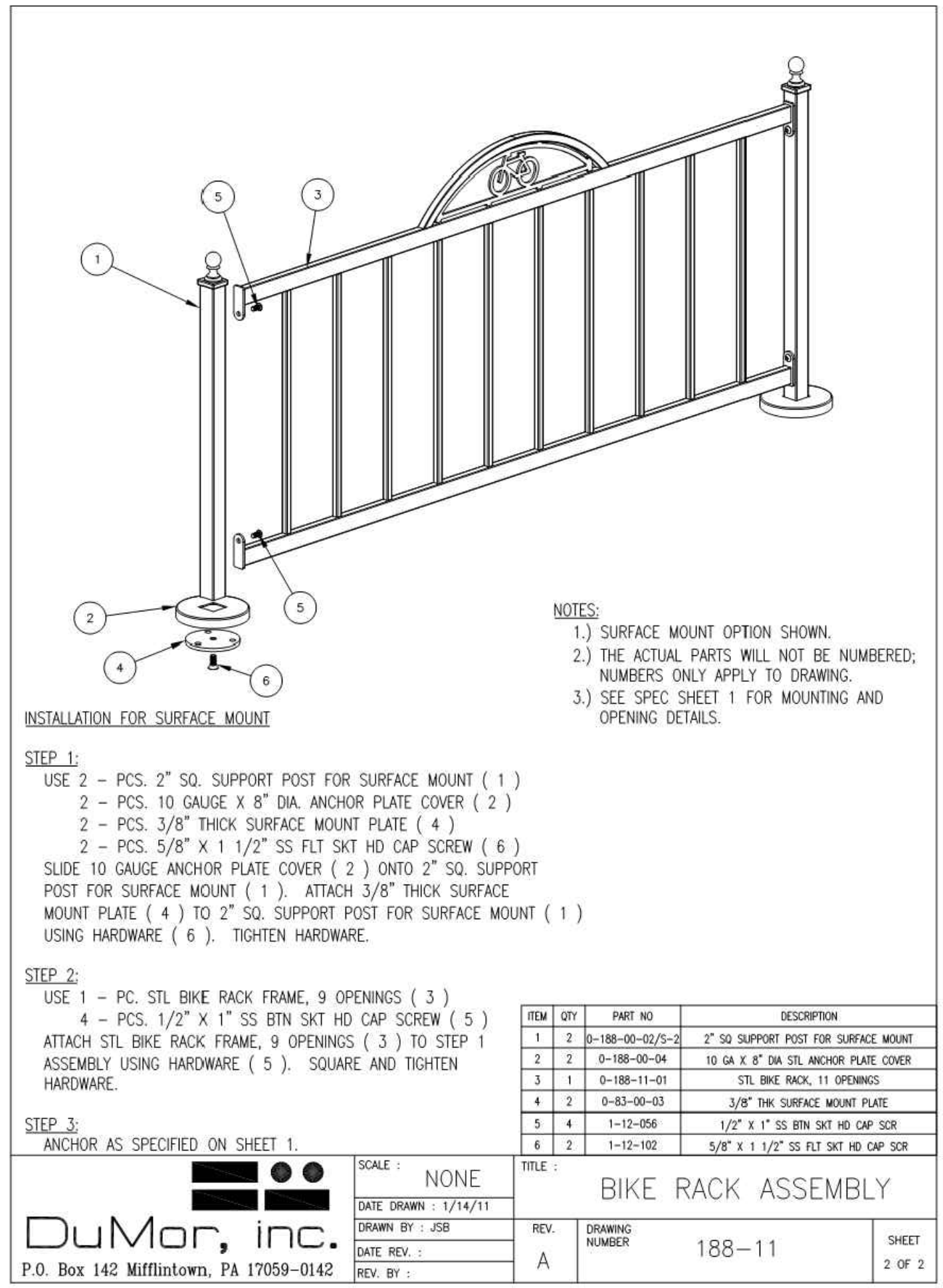
Sheet Title:
CIVIL CONSTRUCTION DETAILS

Date: 10/01/2018
 Project Number: 2018364-00
 Designed By: MJM
 Drawn By: TJR
 Checked By: MJM

Sheet Number:
C8.1



1 BIKE RACK DETAIL
 C8.1 NTS



2 BIKE RACK DETAIL
 C8.1 NTS

1/2018/du0 - Name: civil.dwg (D:\projects\2018\364\C8.1.dwg) 10/1/2018 11:23:39 AM 1:1