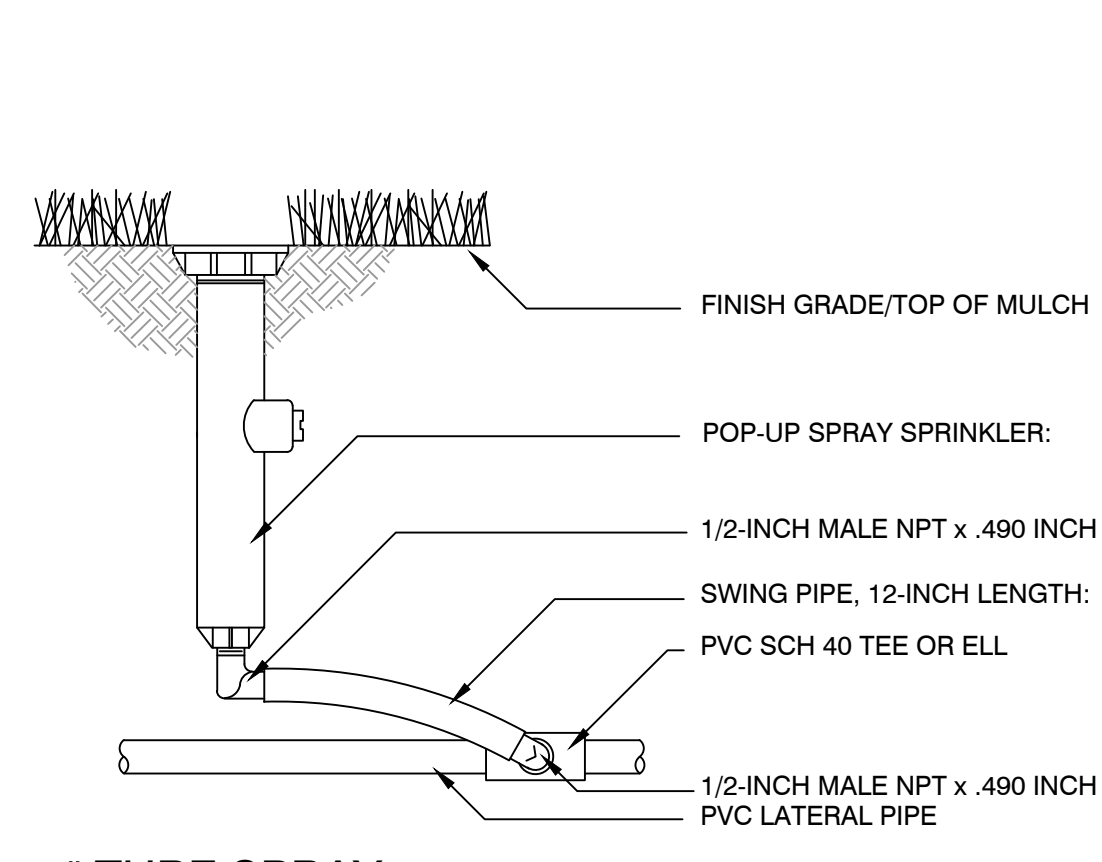
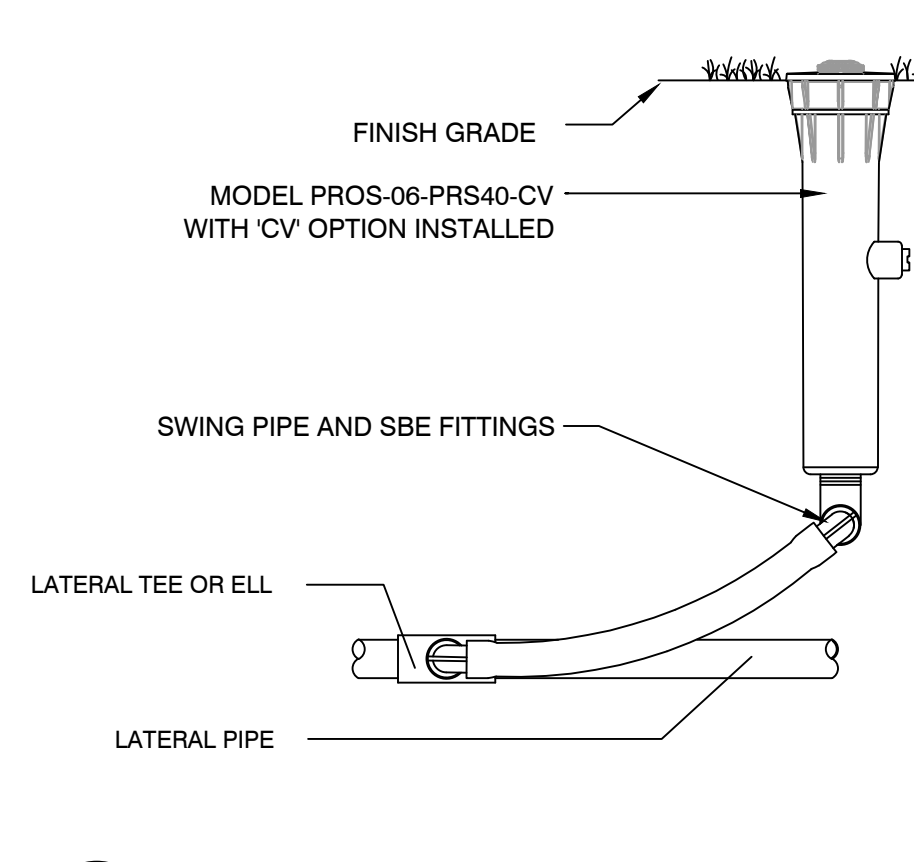


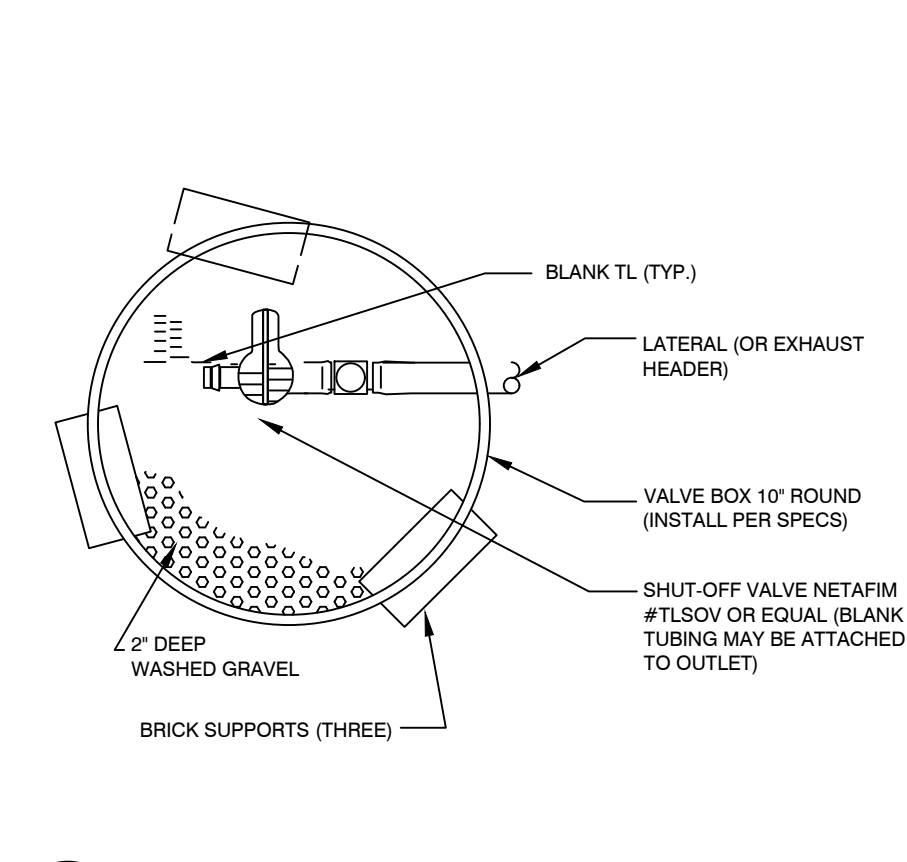
1 12" LANDSCAPE SPRAY



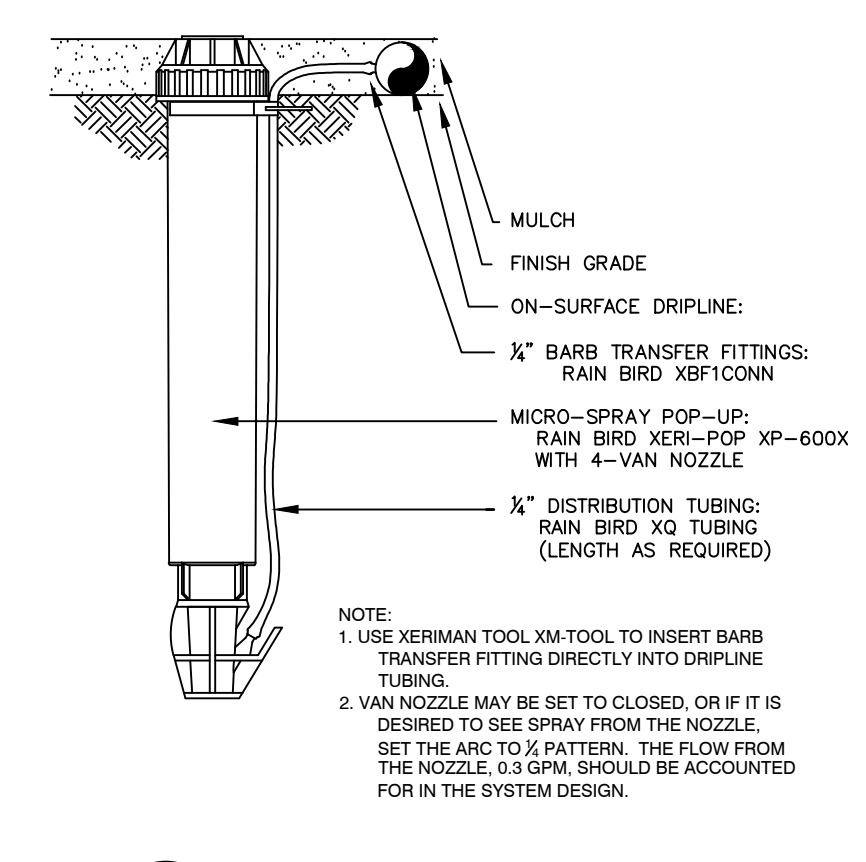
2 6" TURF SPRAY



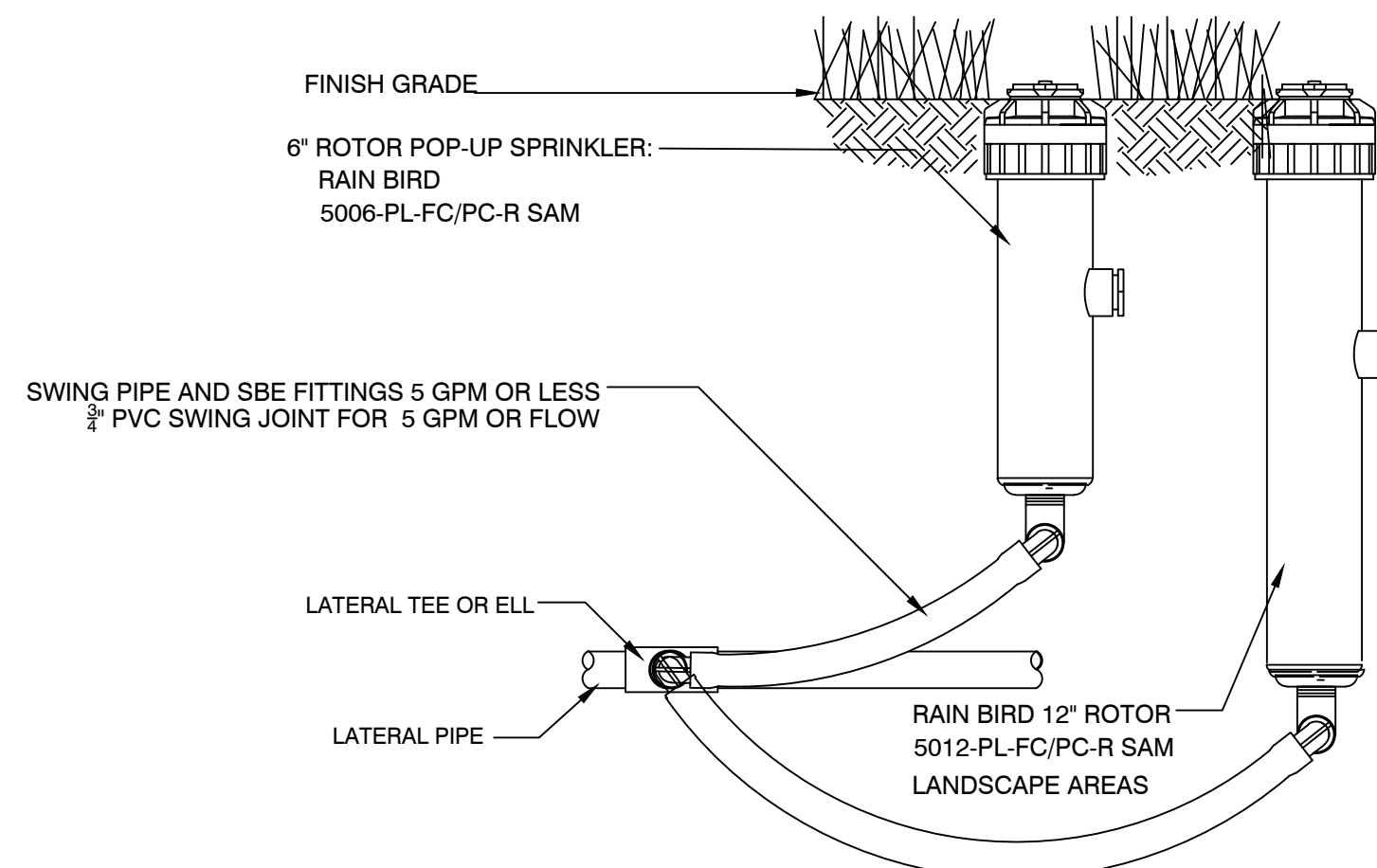
3 PROS-06-PRS40-CV 6" MP ROTATOR



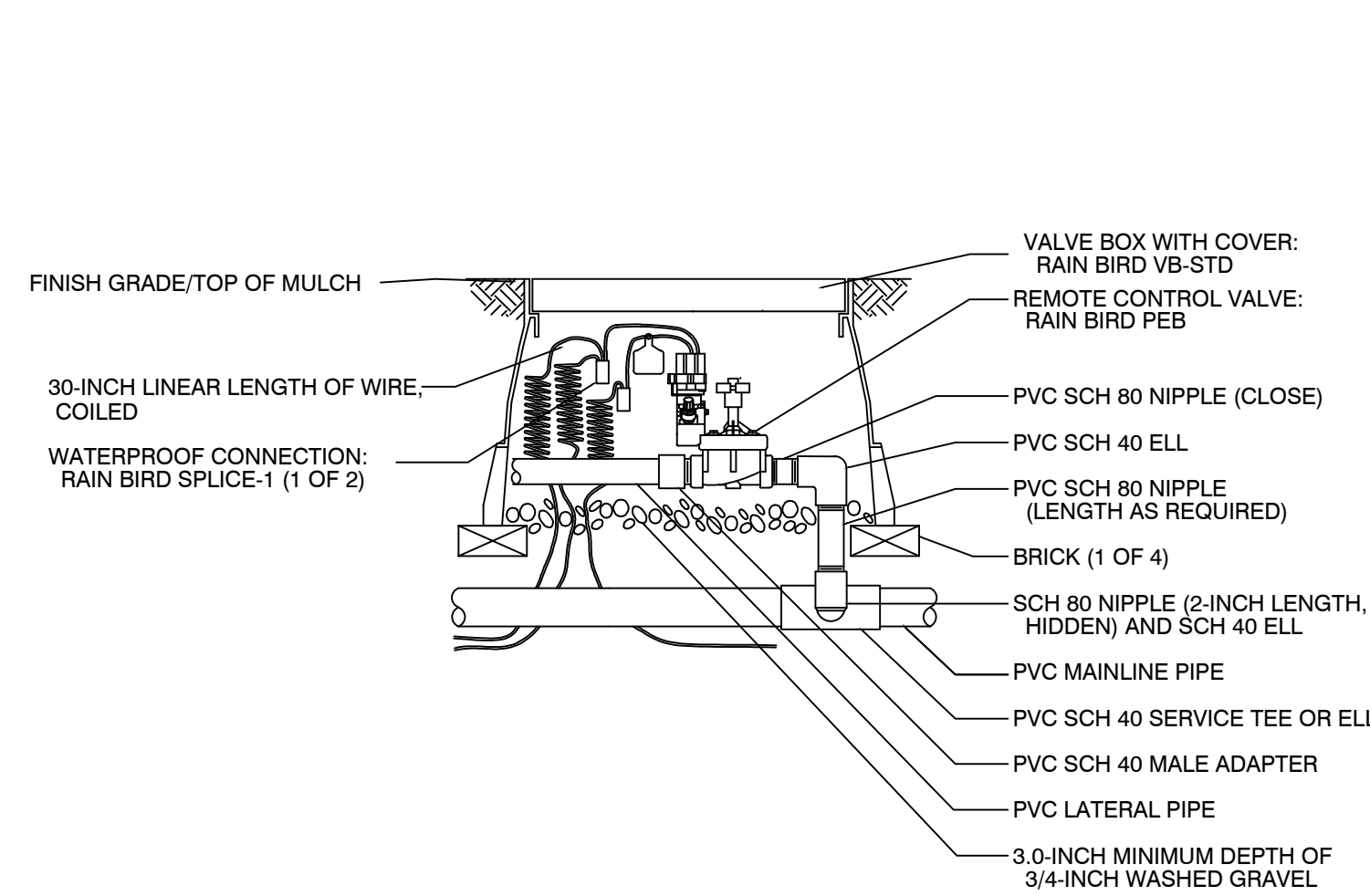
4 FLUSH VALVE



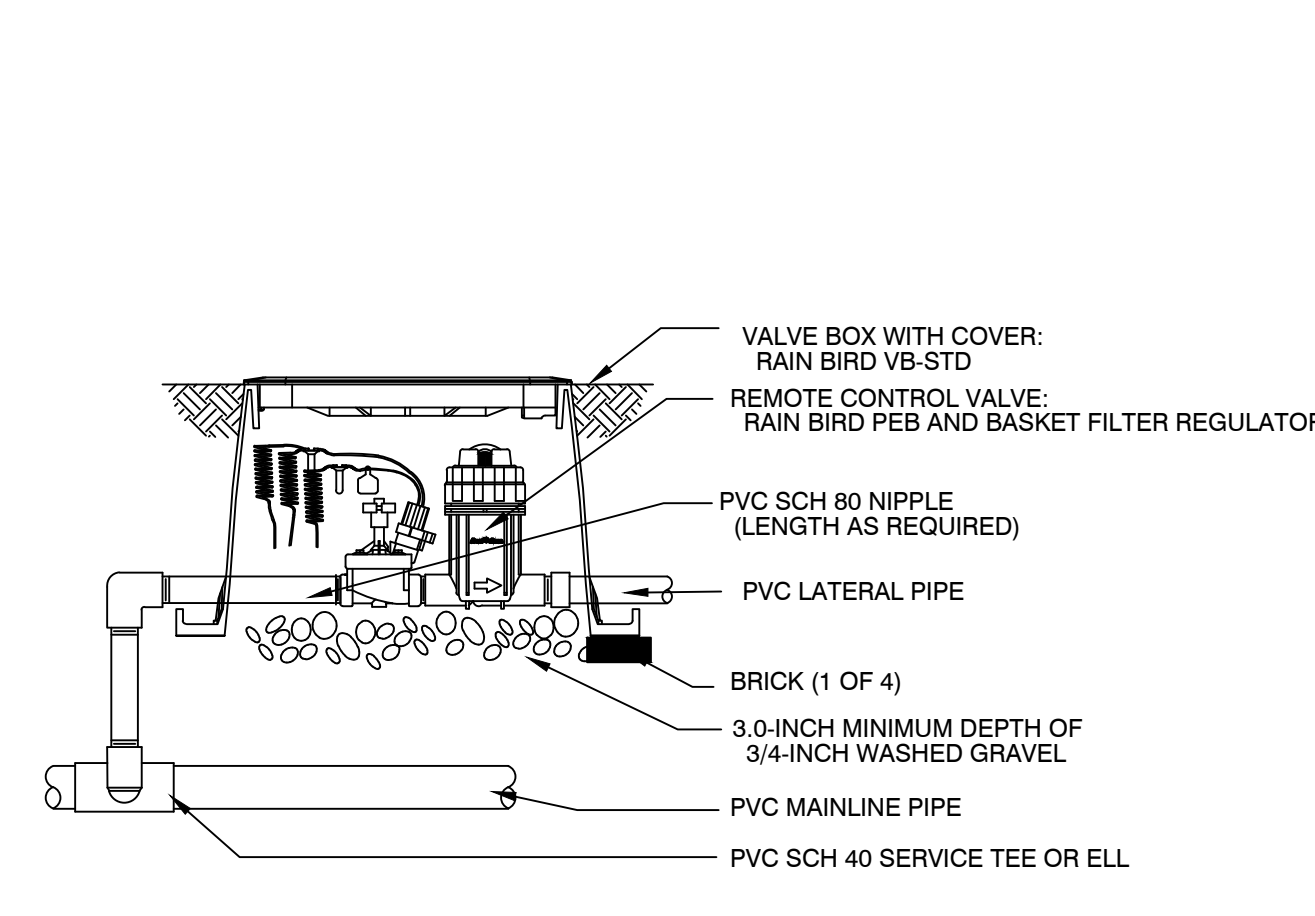
5 DRIP OPERATION INDICATOR



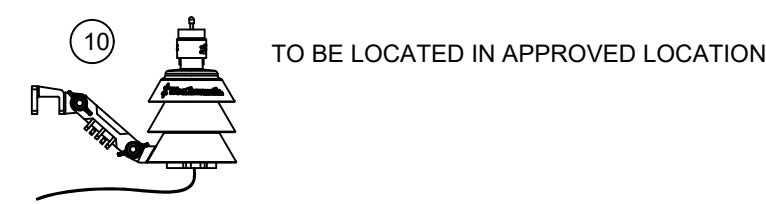
6 RAIN BIRD 6" TURF / 12" LANDSCAPE ROTOR



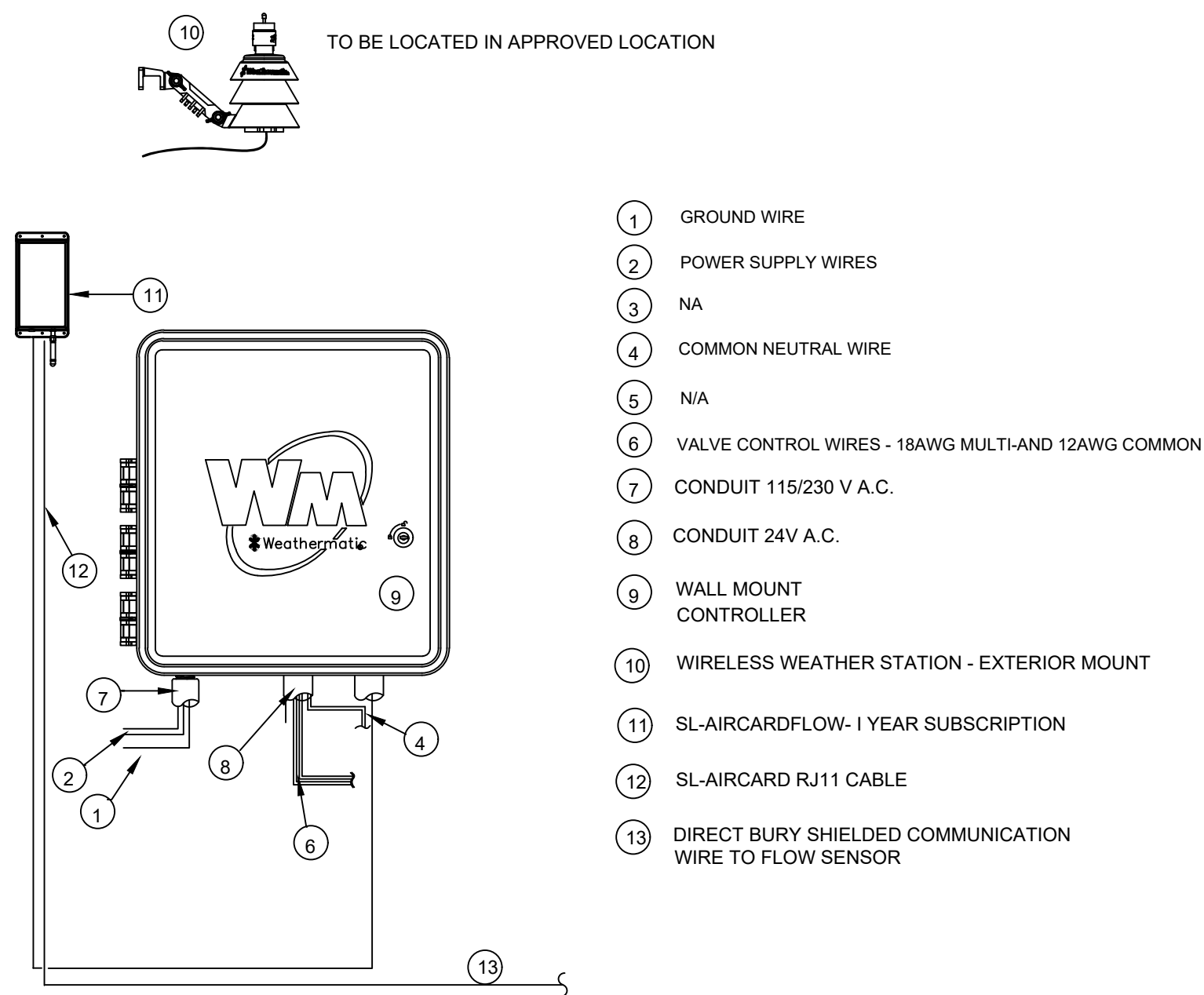
7 REMOTE CONTROL VALVE



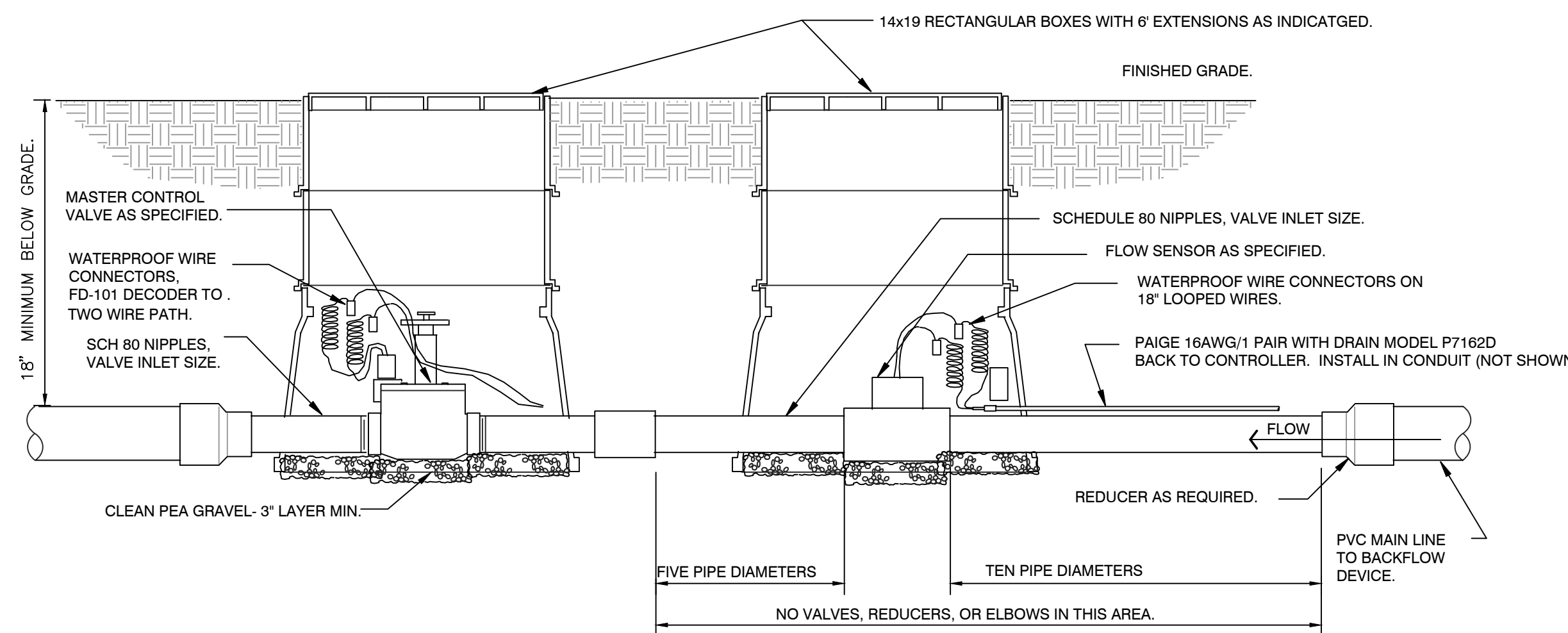
8 DRIP CONTROL VALVE



10 MASTER VALVE/FLOW SENSOR ASSEMBLY



9 SL4800 SERIES CONTROLLER & AIRCARD W/FLOW



| NO. | ISSUED FOR | DATE |
|------|------------|----------|
| REV# | REV NAME | REV DATE |
| 1005 | CD/PLANS | 11/14/18 |

STAMP

Kristy D'Squire
Landscape Architect
LA-2010000189
DRAWING TITLE
Irrigation Details

PROJECT #: 18-282
SHEET NUMBER

L8