

**MASTERCARD**  
 Of Fallon Missouri  
 Prepared for  
**MASTERCARD INTERNATIONAL**  
 12115 Lockland Road  
 St. Louis, MO 63146

HELLMUTH, OBATA + KASSABAUM, P.C.



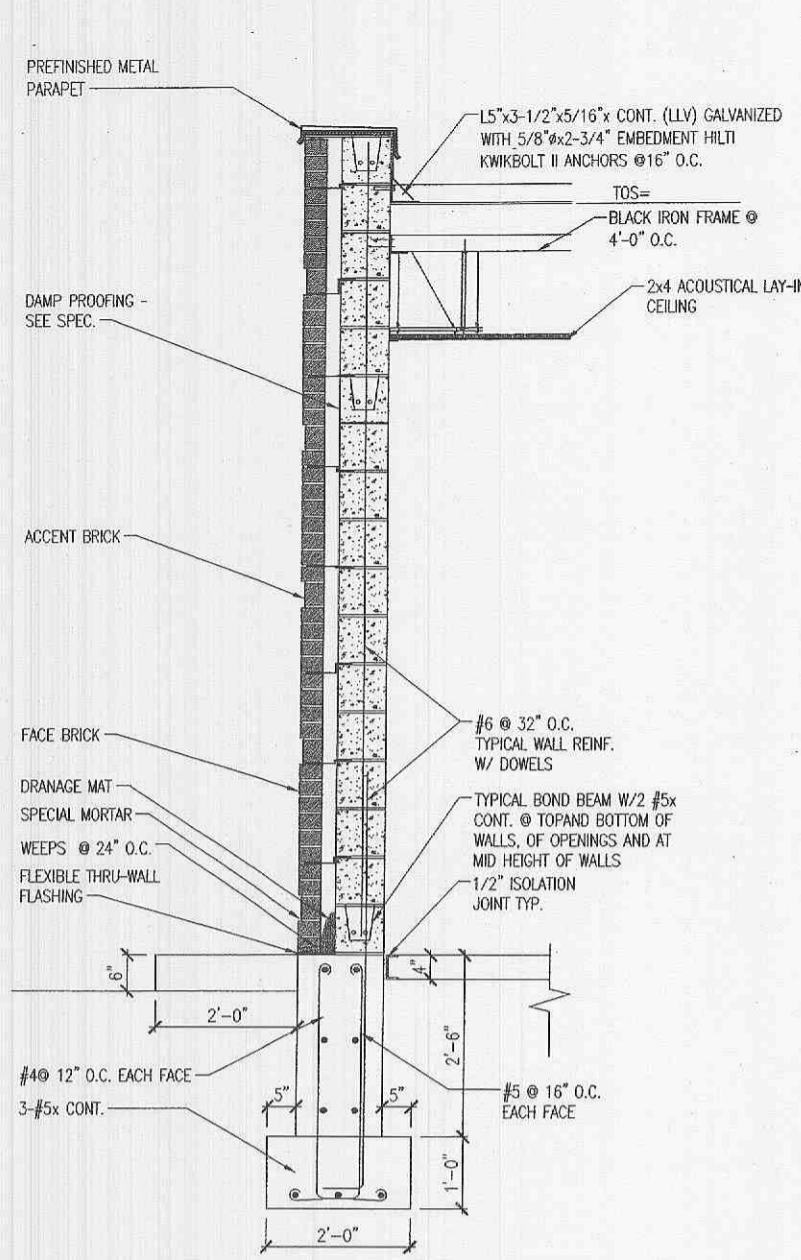
620 Avenue Of The Americas  
 New York, New York 10011  
 T212.741.1200. F212.633.1163.



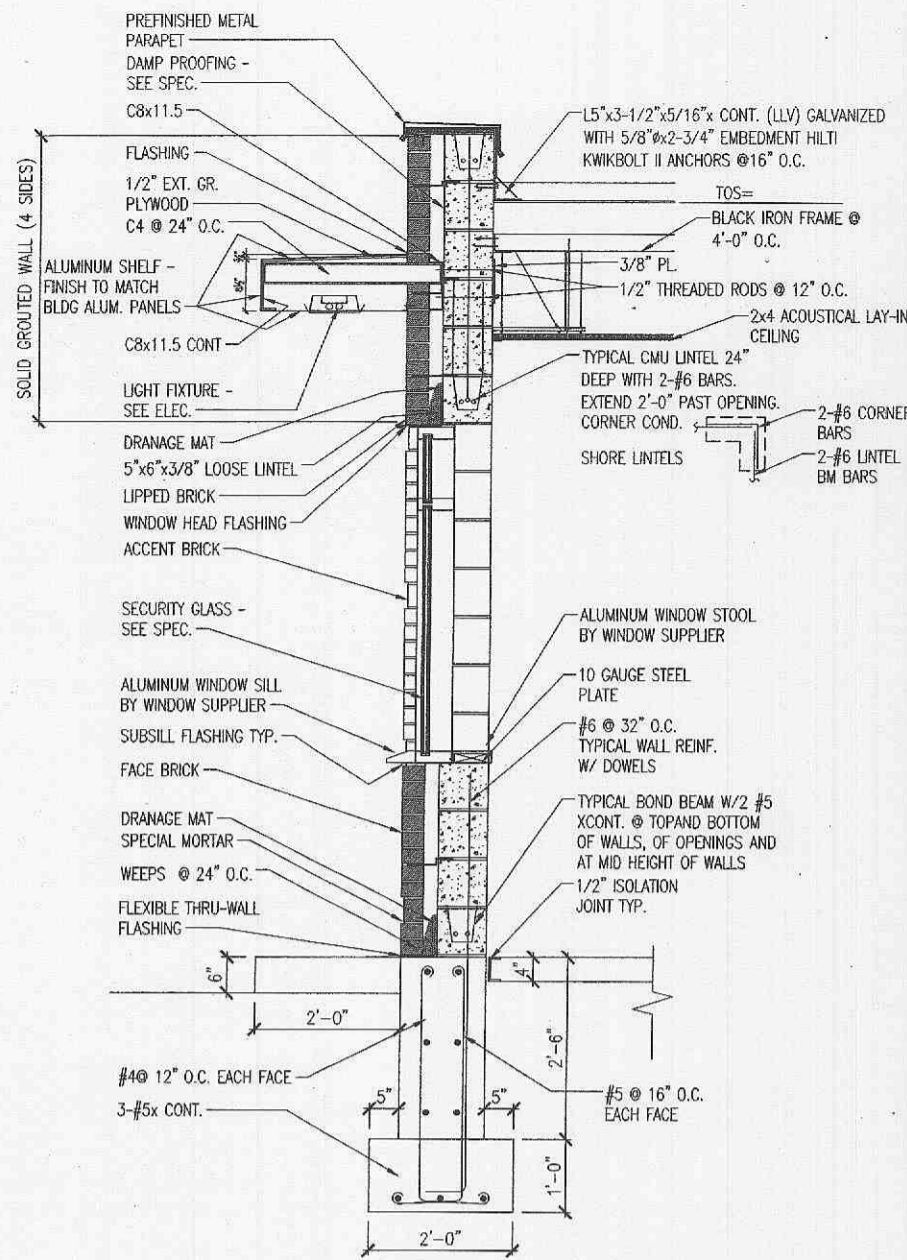
211 North Broadway, Suite 600  
 St. Louis, MO 63102 USA  
 T314.421.2000. F314.421.6073.

All reproduction & intellectual property rights reserved 1999 HOK

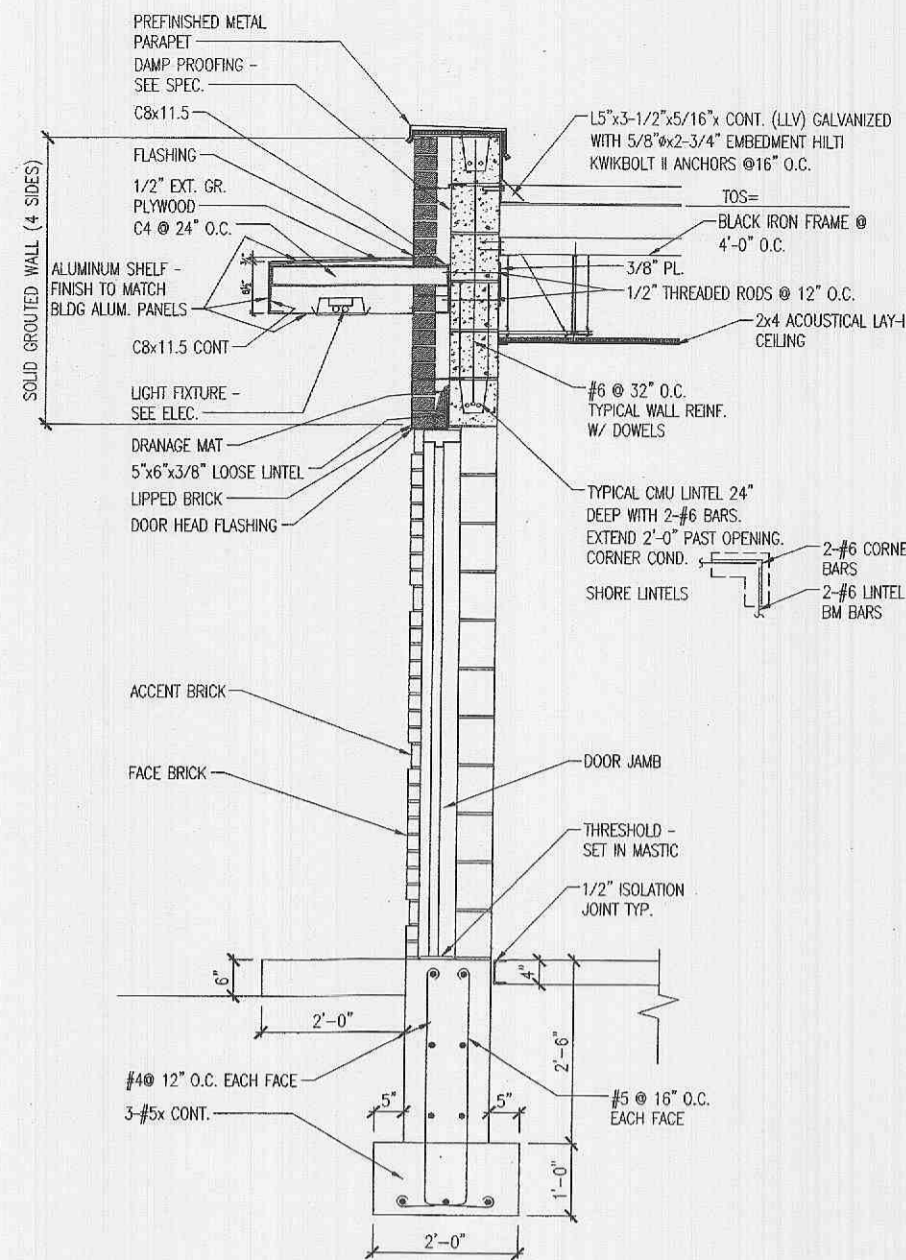
In association with  
**EDM INCORPORATED**  
 STRUCTURE ENGINEERS  
 220 Mansion House Center  
 St. Louis, MO 63102-1902  
 T. 314.231.5485 F. 314.231.8167



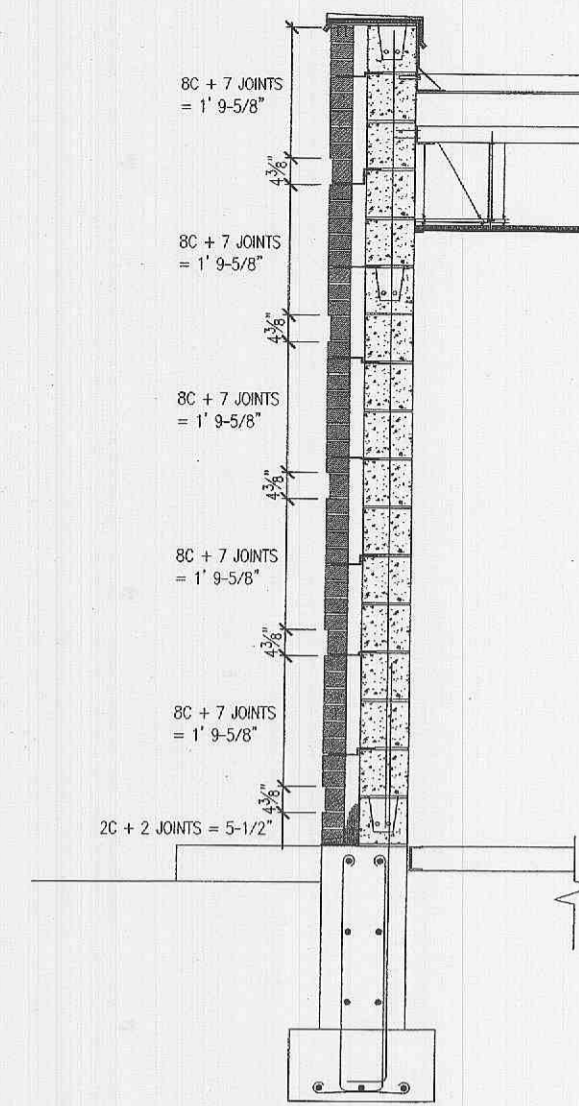
**A** Section  
 SCALE: 3/4" = 1'-0"



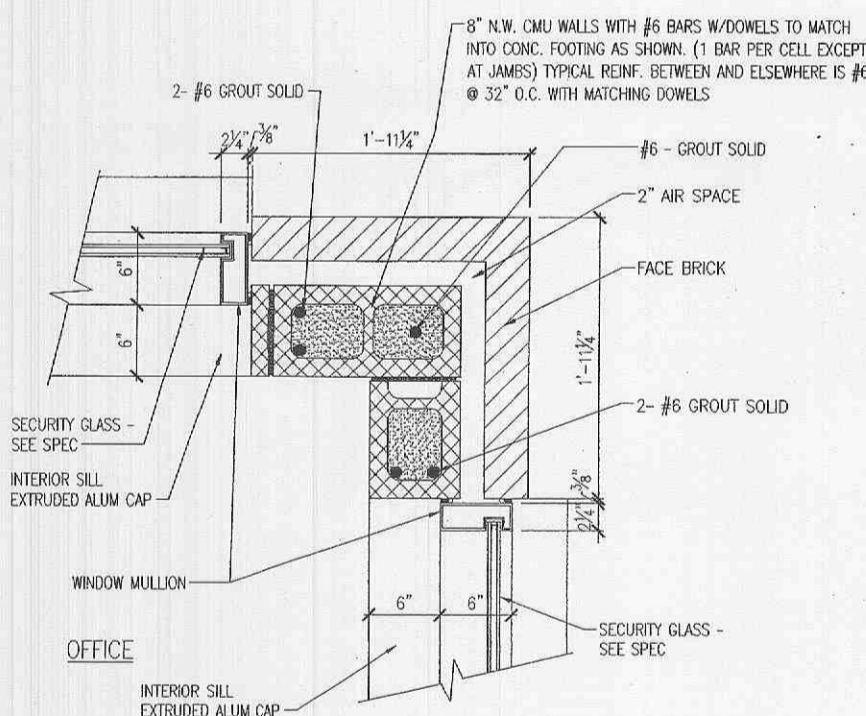
**B** Section  
 SCALE: 3/4" = 1'-0"



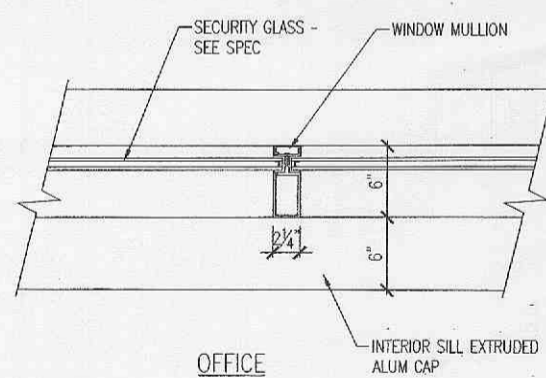
**C** Section  
 SCALE: 3/4" = 1'-0"



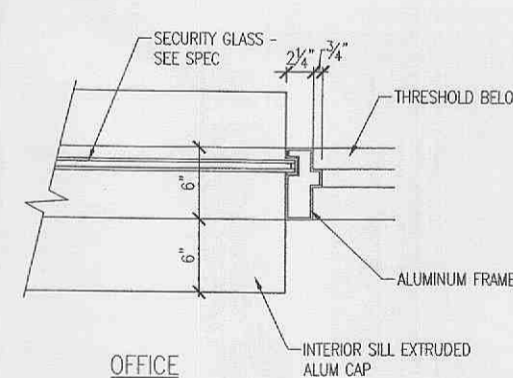
**D** Section - BRICK COURSING  
 SCALE: 3/4" = 1'-0"



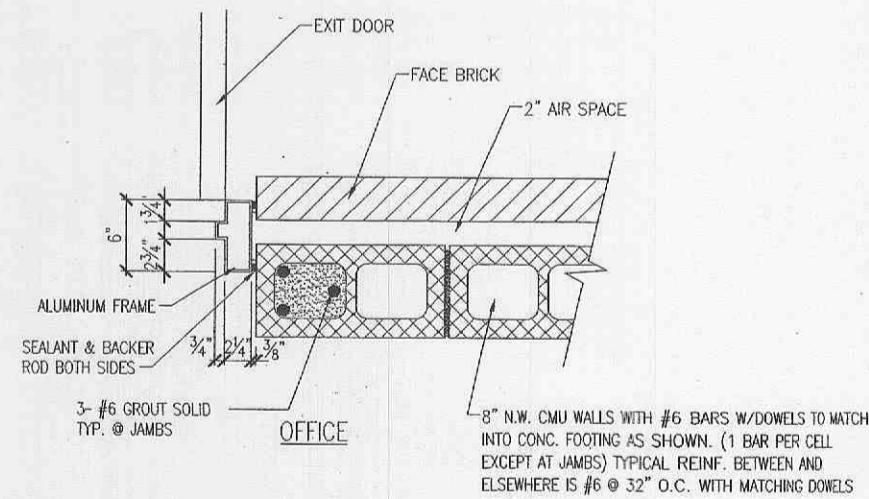
**E** DETAIL  
 SCALE: 1-1/2" = 1'-0"



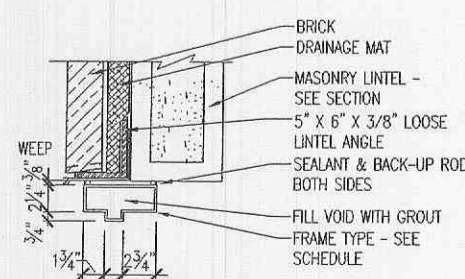
**F** DETAIL  
 SCALE: 1-1/2" = 1'-0"



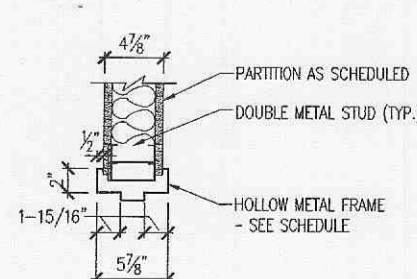
**G** DETAIL  
 SCALE: 1-1/2" = 1'-0"



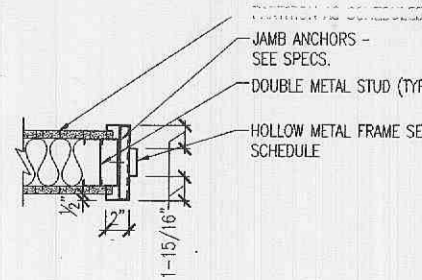
**H** DETAIL  
 SCALE: 1-1/2" = 1'-0"



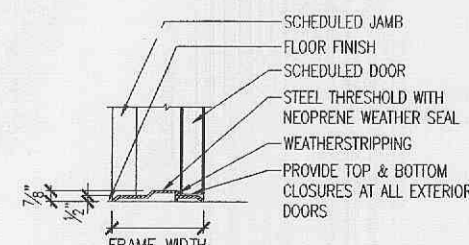
**J** DOOR HEAD @ EXTERIOR WALL  
 SCALE: 1-1/2" = 1'-0"



**K** DOOR HEAD @ GYP. BOARD PARTITION  
 SCALE: 1-1/2" = 1'-0"



**L** DOOR JAMB @ GYP. BOARD PARTITION  
 SCALE: 1-1/2" = 1'-0"



**M** EXTERIOR THRESHOLD  
 SCALE: 1-1/2" = 1'-0"

Drawn: CHK

Issue

# Date Description

ELEVATION & SECTION

Drawing Number

A.3