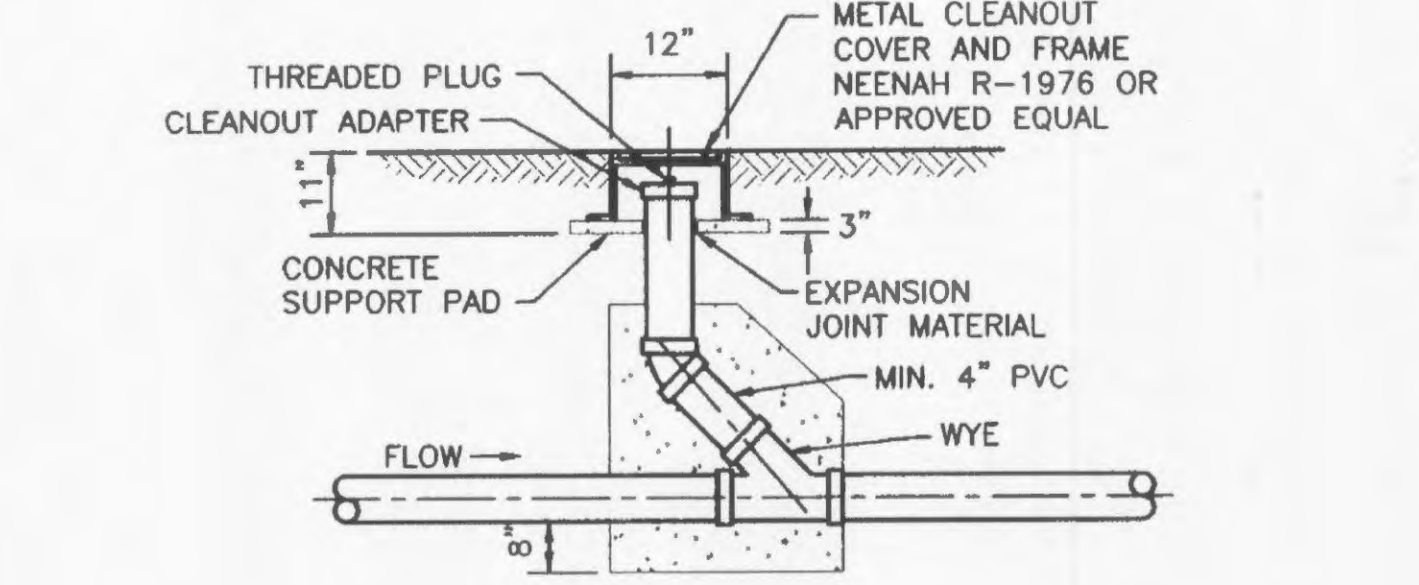
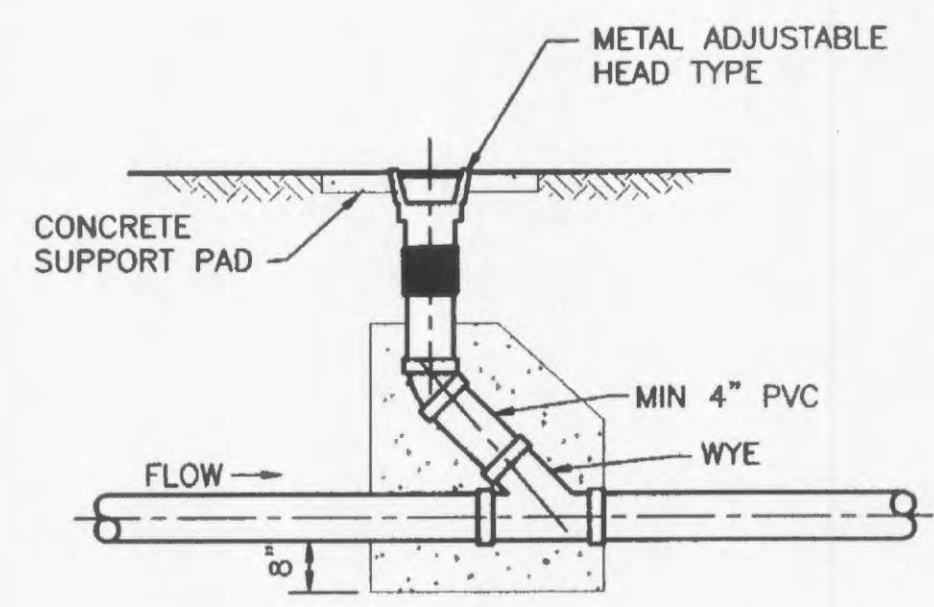


Feb 26, 2008 - 4:14pm \\vmo-nae\mdata\McDonalds\WCD-7199 (O'Fallon, MO)\Drawings\WCD-7199\CD2-08-08.dwg



METAL FRAME AND COVER TYPE CLEANOUT

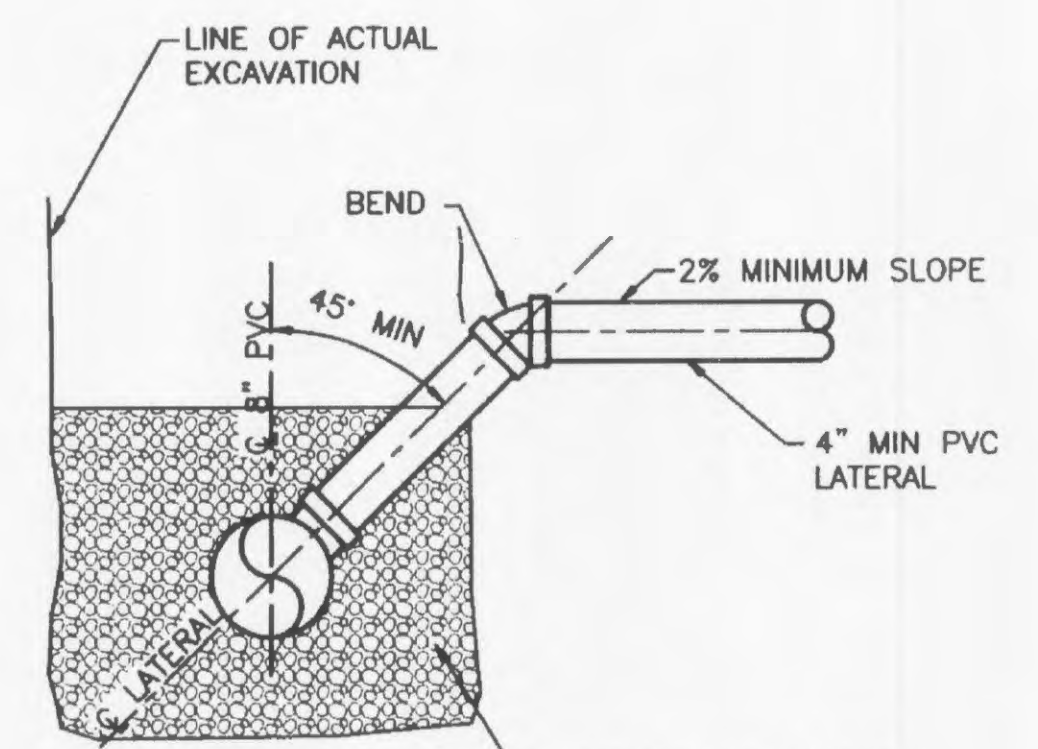


ADJUSTABLE HEAD TYPE CLEANOUT

Duckett Creek Sanitary District

TYPICAL SEWER LATERAL CLEANOUT DETAILS

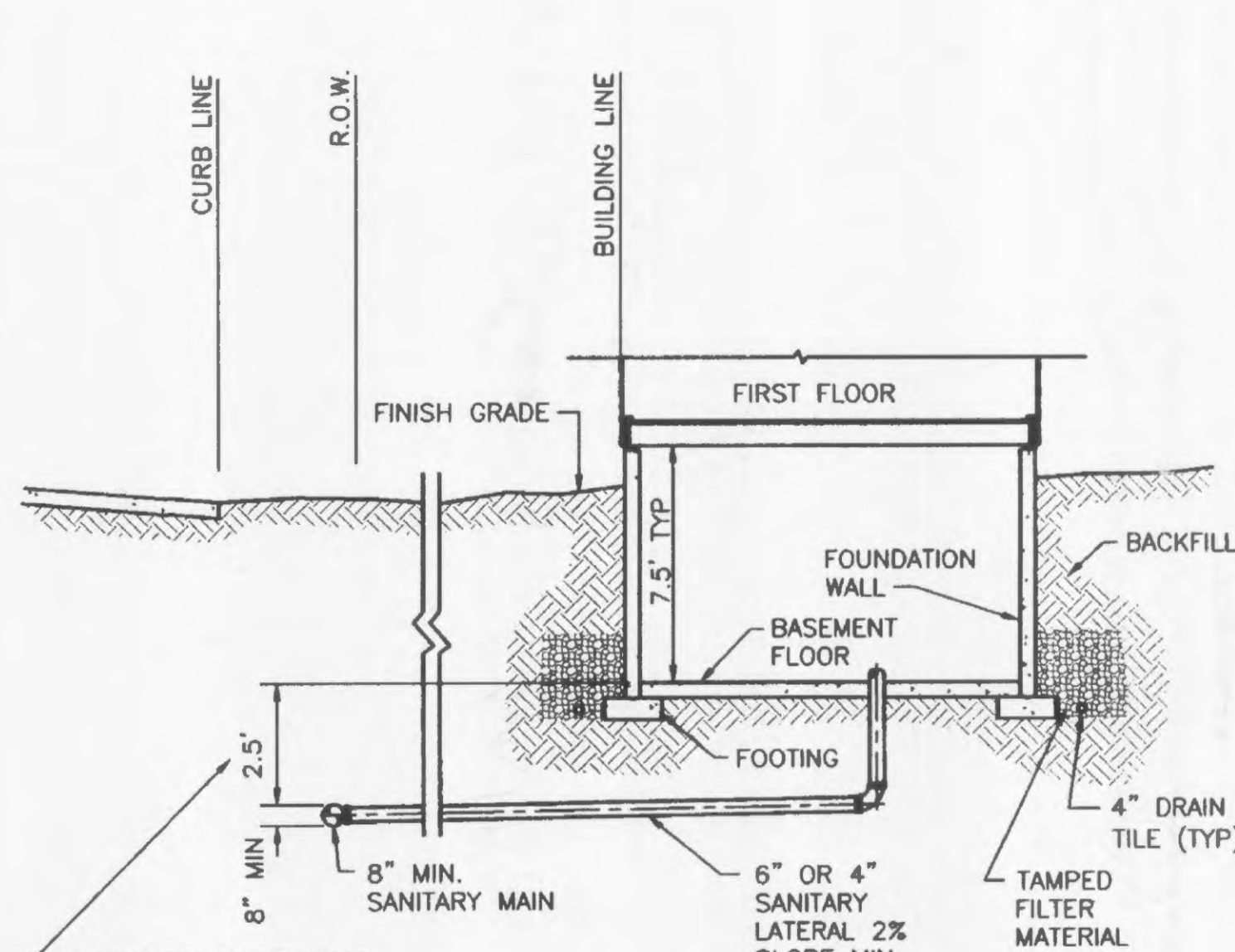
Drawn By: BSM	App By: KLA	Detail No. 25
Clad By: MDOB	Date: 1-8-01	



Duckett Creek Sanitary District

SANITARY SEWER LATERAL RISER DETAIL

Drawn By: BSM	App By: KLA	Detail No. 27
Clad By: MDOB	Date: 1-9-01	

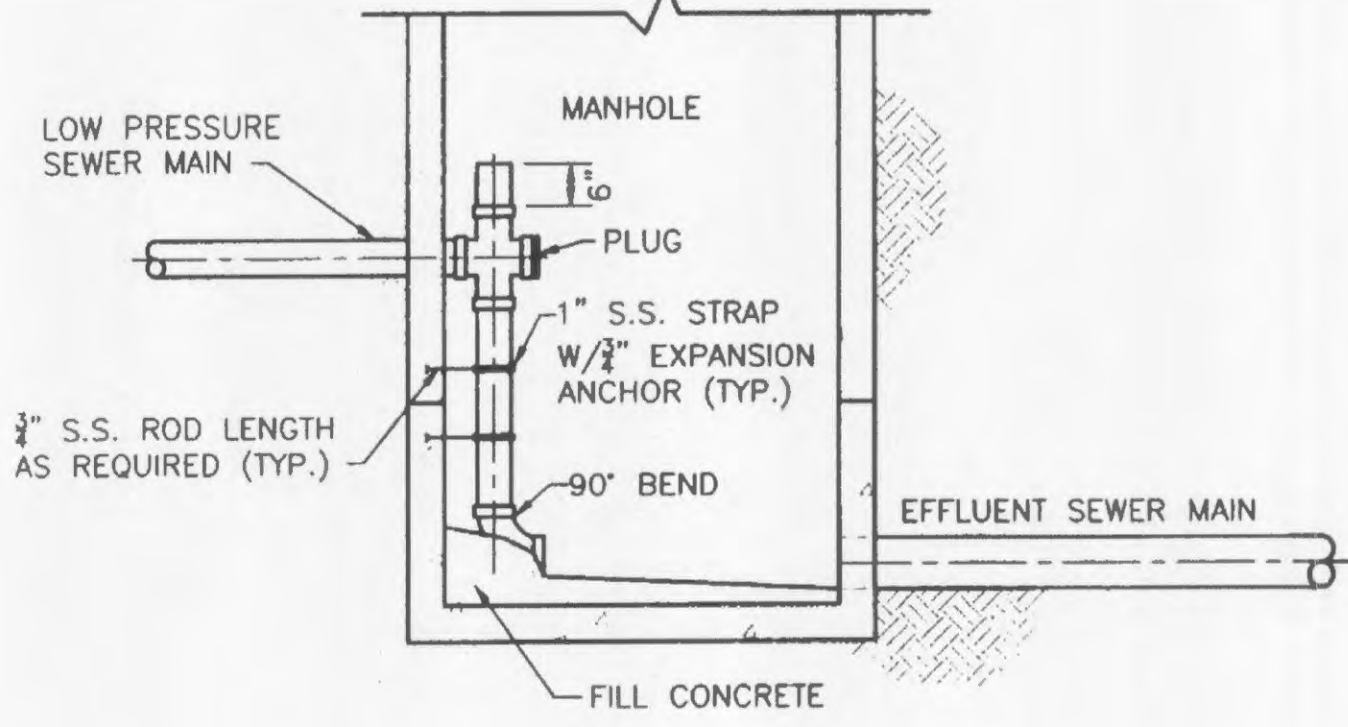


*NOTE: DIFFERENCE IN DEPTH INCREASES WITH PIPE SIZE

Duckett Creek Sanitary District

TYPICAL SANITARY SEWER LATERAL PROFILE

Drawn By: BSM	App By: KLA	Detail No. 25
Clad By: MDOB	Date: 1-9-01	

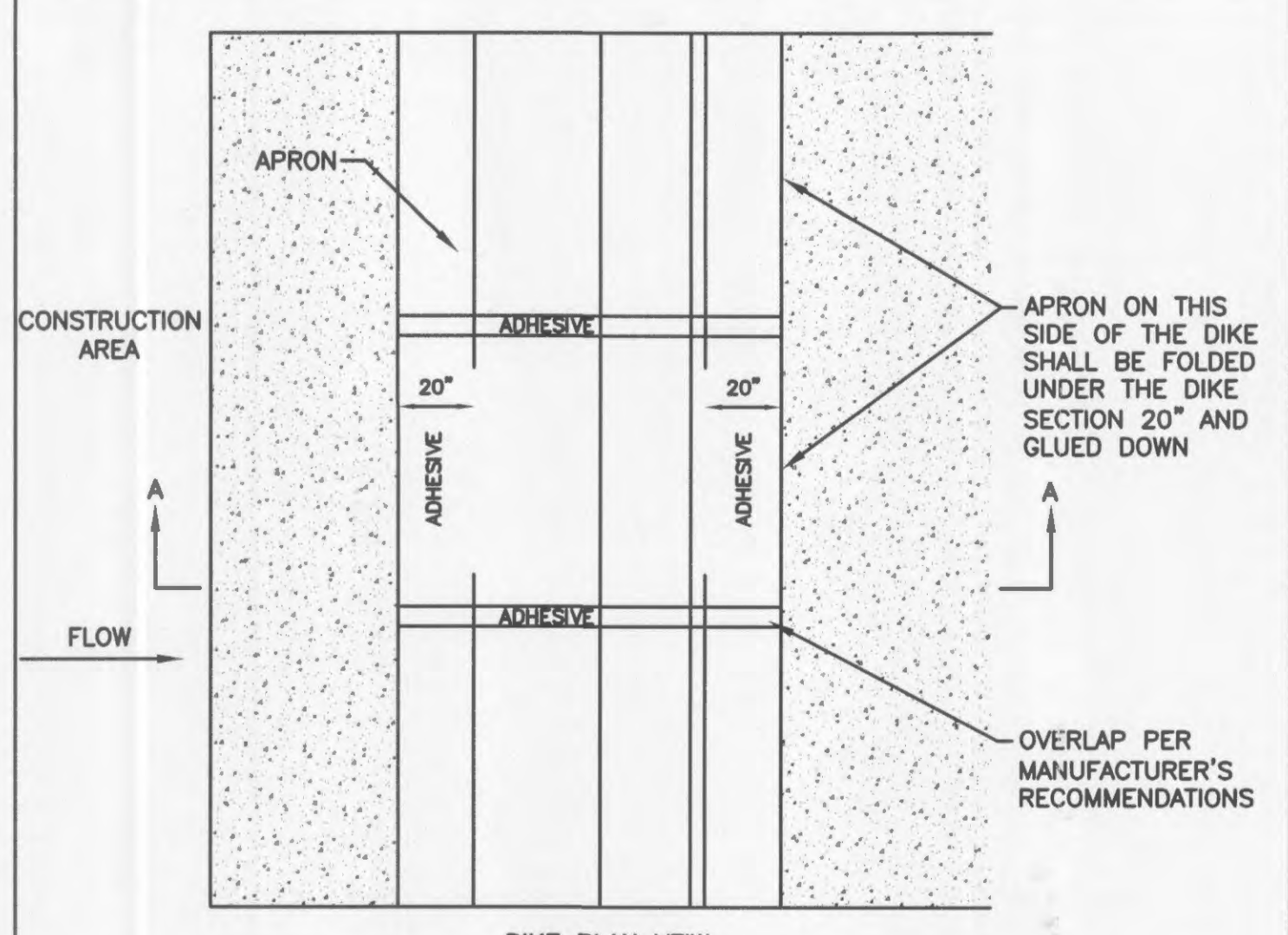


NOTE: INVERT-BOTTOM SHALL BE WORKED TO PROVIDE POSITIVE DRAINAGE THROUGH MANHOLE

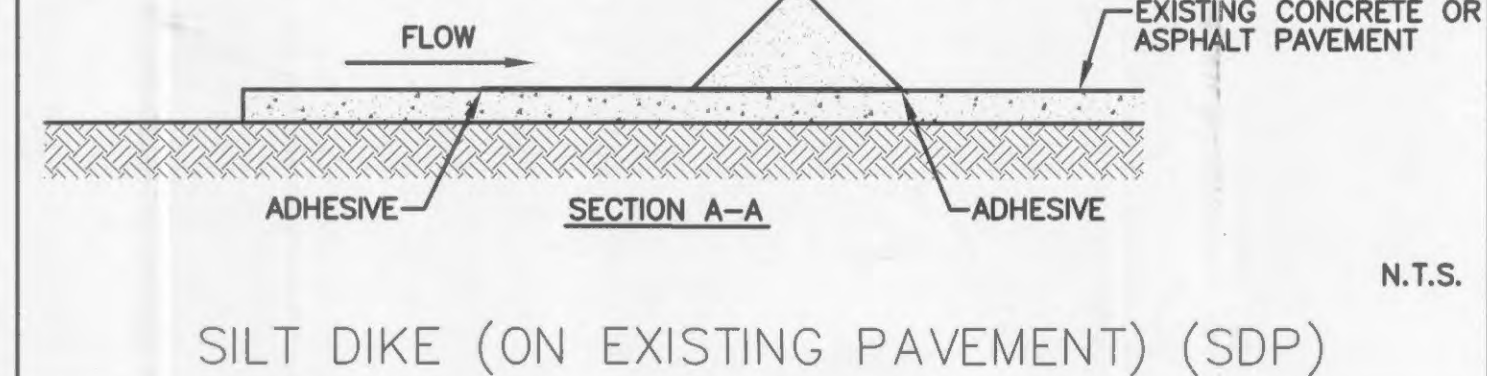
Duckett Creek Sanitary District

LOW PRESSURE SEWER MAIN CONNECTION AT MANHOLE

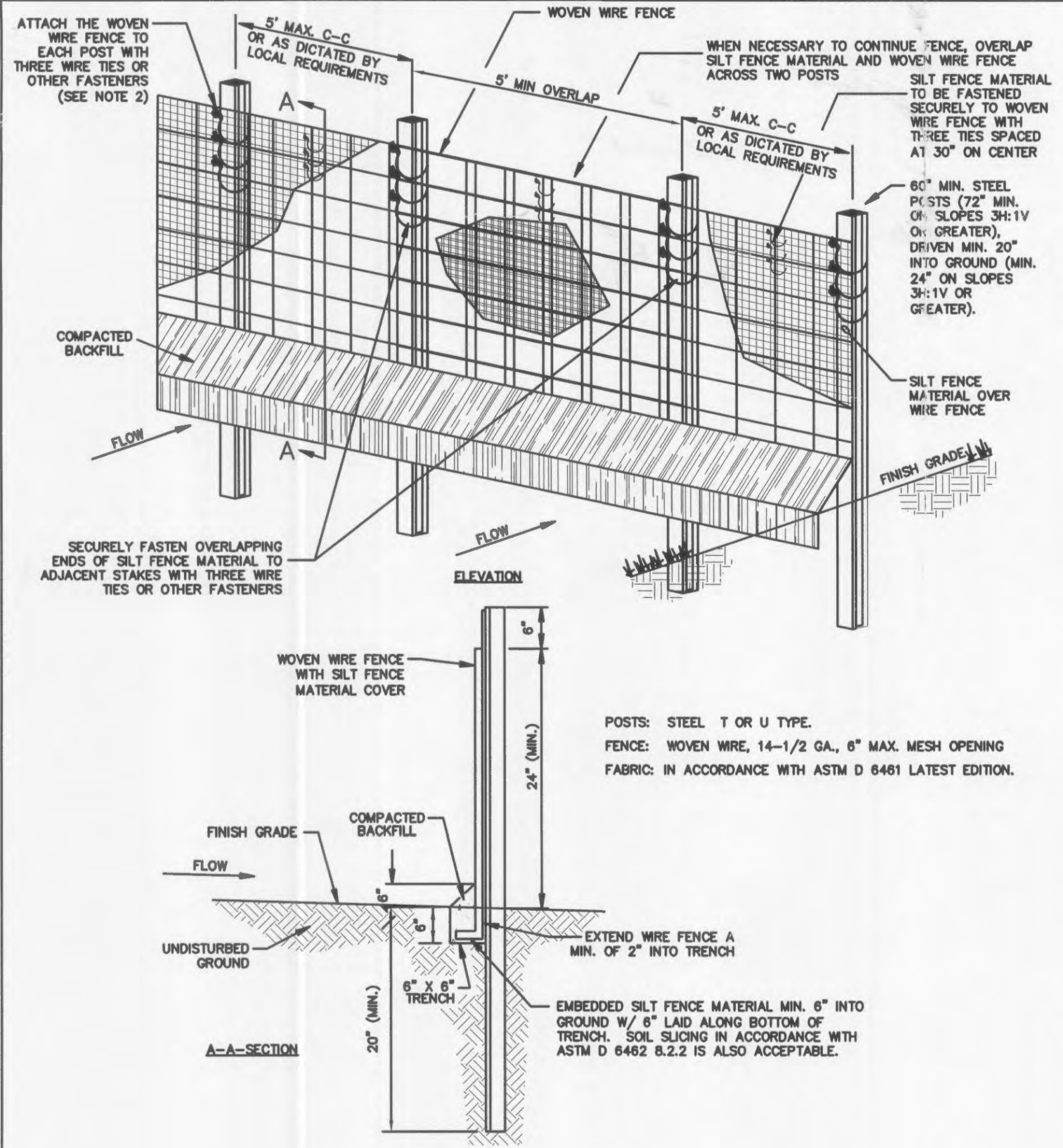
Drawn By: BSM	App By: KLA	Detail No. 28
Clad By: MDOB	Date: 1-9-01	



NOTES:
1. INSTALLED SILT DIKE UNIT SHALL HAVE CONTINUOUS AND FIRM CONTACT WITH PAVEMENT.
2. ADHESIVES SHALL BE LIQUID NAIL OR APPROVED EQUAL FOR CONCRETE PAVEMENT APPLICATIONS AND EMULSIFIED ASPHALT FOR ASPHALT APPLICATIONS. ADHESIVE SHALL BE PLACED WHERE THE UNITS OVERLAP AND A 20\"/>



SILT DIKE (ON EXISTING PAVEMENT) (SDP)



- INSTALLATION SHALL COMPLY WITH ASTM D 6462 LATEST EDITION.
- ATTACH THE WOVEN WIRE FENCE TO EACH POST AND THE GEOTEXTILE TO THE WOVEN WIRE FENCE (SPACED EVERY 30") WITH THREE WIRE TIES OR OTHER FASTENERS. ALL SPACED WITHIN THE TOP 8" OF THE FABRIC. ATTACH EACH TIE DIAGONALLY 45 DEGREES THROUGH THE FABRIC, WITH EACH PUNCTURE AT LEAST 1" VERTICALLY APART. ALSO, EACH TIE PLACED ON A POST SHOULD BE POSITIONED TO HANG ON A POST NEPPLE WHEN TIGHTENED TO PREVENT SAGGING.
- WHEN TWO SECTIONS OF SILT FENCE MATERIAL ADJOIN EACH OTHER, THEY SHALL BE OVERLAPPED A MINIMUM OF 80" ACROSS TWO POSTS, AS SHOWN.
- MAINTENANCE SHALL BE PERFORMED AS NOTED IN THE SWPPP. DEPTH OF ACCUMULATED SEDIMENTS MAY NOT EXCEED ONE-HALF THE HEIGHT OF THE FENCE. MAINTENANCE CLEANOUT MUST BE CONDUCTED REGULARLY TO PREVENT ACCUMULATED SEDIMENTS FROM REACHING ONE-HALF THE HEIGHT OF THE SILT FENCE MATERIAL ABOVE GRADE.
- ALL SILT FENCE SHALL INCLUDE WIRE SUPPORT UNLESS THE STATIC SLICING EQUIPMENT IS UTILIZED TO INSTALL THE FENCE PER DETAIL- "SILT FENCE INSTALLATION (SLICING METHOD)".
- WRAP APPROXIMATELY 6" OF FABRIC AROUND THE END POSTS AND SECURE WITH 3 TIES.
- COMPACT THE SOIL IMMEDIATELY NEXT TO THE SILT FENCE FABRIC WITH THE FRONT WHEEL OF THE TRACTOR, SKID STEER, OR ROLLER EXERTING AT LEAST 60 POUNDS PER SQ. INCH. COMPACT THE UPSTREAM SIDE FIRST. COMPACT EACH SIDE TWICE FOR A TOTAL OF FOUR TRIPS.
- ADD POST CAPS AS NEEDED BASED ON SITE CONDITIONS AND APPLICABLE AGENCY REQUIREMENTS.

SEDIMENTATION/SILT FENCE WITH WIRE SUPPORT (SF)

GENERAL NOTES

- MCDONALD'S ROAD SIGN AND BASE ARE BY THE SIGN CONTRACTOR. CONDUIT AND WIRING ARE BY THE GENERAL CONTRACTOR.
- BASES, ANCHOR BOLTS, CONDUIT, AND WIRING FOR ALL OTHER SIGNS ARE BY THE GENERAL CONTRACTOR.
- 3/4" EMPTY CONDUIT TO LOCATIONS SHOWN AT THE LOT PERIMETER FOR LOT LIGHTING IS BY THE GENERAL CONTRACTOR. LIGHTING FIXTURES, BASES, POLES, CONDUIT, AND WIRING ARE BY THE OWNER/OPERATOR.
- BASES FOR FLAGPOLES ARE BY THE GENERAL CONTRACTOR. ANCHOR BOLTS ARE BY THE FLAGPOLE SUPPLIER.
- PROPOSED UTILITIES ARE SHOWN IN SCHEMATIC ONLY. EXACT LOCATIONS SHALL BE DETERMINED TO ALLOW FOR THE MOST ECONOMICAL INSTALLATION.
- THE CONTRACTOR SHALL COORDINATE WITH ALL UTILITY COMPANIES TO DETERMINE EXACT POINT OF SERVICE CONNECTION AT EXISTING UTILITY REFER TO THE BUILDING ELECTRICAL AND PLUMBING DRAWINGS FOR UTILITY SERVICE ENTRANCE LOCATIONS, SIZES, AND CIRCUITING.
- ALL ELEVATIONS SHOWN ARE IN REFERENCE TO THE BENCHMARK AND MUST BE VERIFIED BY THE GENERAL CONTRACTOR AT GROUND BREAK.
- FINISH WALK AND CURB ELEVATIONS SHALL BE 6" ABOVE FINISH PAVEMENT.
- ALL LANDSCAPE AREAS SHALL BE ROUGH GRADED TO 6" BELOW TOP OF ALL WALKS AND CURBS. FINISH GRADING, LANDSCAPING, AND SPRINKLER SYSTEMS ARE BY THE OWNER/OPERATOR.
- LOT LIGHTING CONCRETE FOOTINGS TO CONFORM WITH THE SOILS REPORT RECOMMENDATIONS FOR THIS PARTICULAR SITE.
- REFER TO SHEETS S01 THRU S05 FOR ALL APPLICABLE SITE DETAILS.
- PROVIDE WEEDHOLES ON CURBS AT ALL LANDSCAPE AREAS LOCATIONS. COORDINATE WITH MCDONALD'S PROJECT MANAGER.

LANDSCAPE PLAN NOTES

PAVING SPECIFICATION
(MINIMUM 3" TOTAL COMPACTED ASPHALT THICKNESS)

PAVING TO BE TYPAR, 3401, 8", OF AN APPROVED CRUSHED STONE BASE, PLUS 3" OF AN APPROVED ASPHALTIC CONCRETE TOPPING TO BE LAID IN TWO (2) LIFTS AND ACCORDING TO MODOT SPECIFICATIONS. FINISHED THICKNESS OF PAVING TO BE 11". A MINIMUM 6" STRIP IS REQUIRED. ALL AREAS UNDER BUILDING AND PARKING TO BE COMPACTED TO A MINIMUM OF 95% OF MAXIMUM DRY DENSITY IN ACCORDANCE WITH ASTM D-0989.

NOTE: MCDONALD'S PROJECT MANAGER RESERVES THE RIGHT TO REQUEST A COMPACTION TEST AND/OR A CORE SAMPLE, IF TESTS PROVE CORRECT, PER ABOVE SPECIFICATIONS, TESTS WILL BE AT THE EXPENSE OF MCDONALD'S, OTHERWISE G.C. WILL BE CHARGED.

LOT LIGHTING RECOMMENDATION

PREPARED BY:

DATE:

PARKING INFORMATION

TOTAL SPACES	62
*INCLUDES 3 HANDICAP SPACES	

UTILITY INFORMATION

	SIZE	TYPE	LOCATION
SANITARY SEWER	- 8"	-	-
WATER	-	-	-
STORM SEWER	- 8"	-	-
ELECTRIC	-	-	-
GAS	-	-	-

SURVEY INFORMATION

PREPARED BY: MASSMANN SURVEYING
7751 CARONDELLE AVENUE SUITE 600
ST. LOUIS, MO 63105
314-862-5577

DATE: 07/10/2007

LEGEND

S	SANITARY SEWER	G	GAS
W	WATER	LP:30	LOT LIGHT
ST	STORM SEWER	(76.5)	EXISTING ELEVATION
E	ELECTRIC	(77.0)	PROPOSED ELEVATION

PLAN SCALE: 1"=20'

STREET ADDRESS
HWY K AND CRUSHER DRIVE

CITY	STATE
O'FALLON	MISSOURI
COUNTY	
ST. CHARLES	

REGIONAL DWG. NO. 024-1168 NATIONAL NUMBER -

DETAILS

HWY K AND CRUSHER DRIVE
O'FALLON, MO

REGIONAL DWG. NO. 024-1168 NATIONAL NUMBER -

SHEET NO. C6

DATE: 1/23/08 REVIEW COMMENTS: JCS
DATE: 2/18/08 REVIEW COMMENTS: PWS02
DATE: 2/26/08 REVIEW COMMENTS: PWS02

STATE OF MISSOURI
PATRICK BENNETT
NUMBER
PE-2002003134
PROFESSIONAL ENGINEER
FEB 26 2008

CORE STATES
ENGINEERING
50 Chestwood
St. Louis, MO 63126
314-943-4320 Fax 314-943-4323
pbennet@coreeng.com