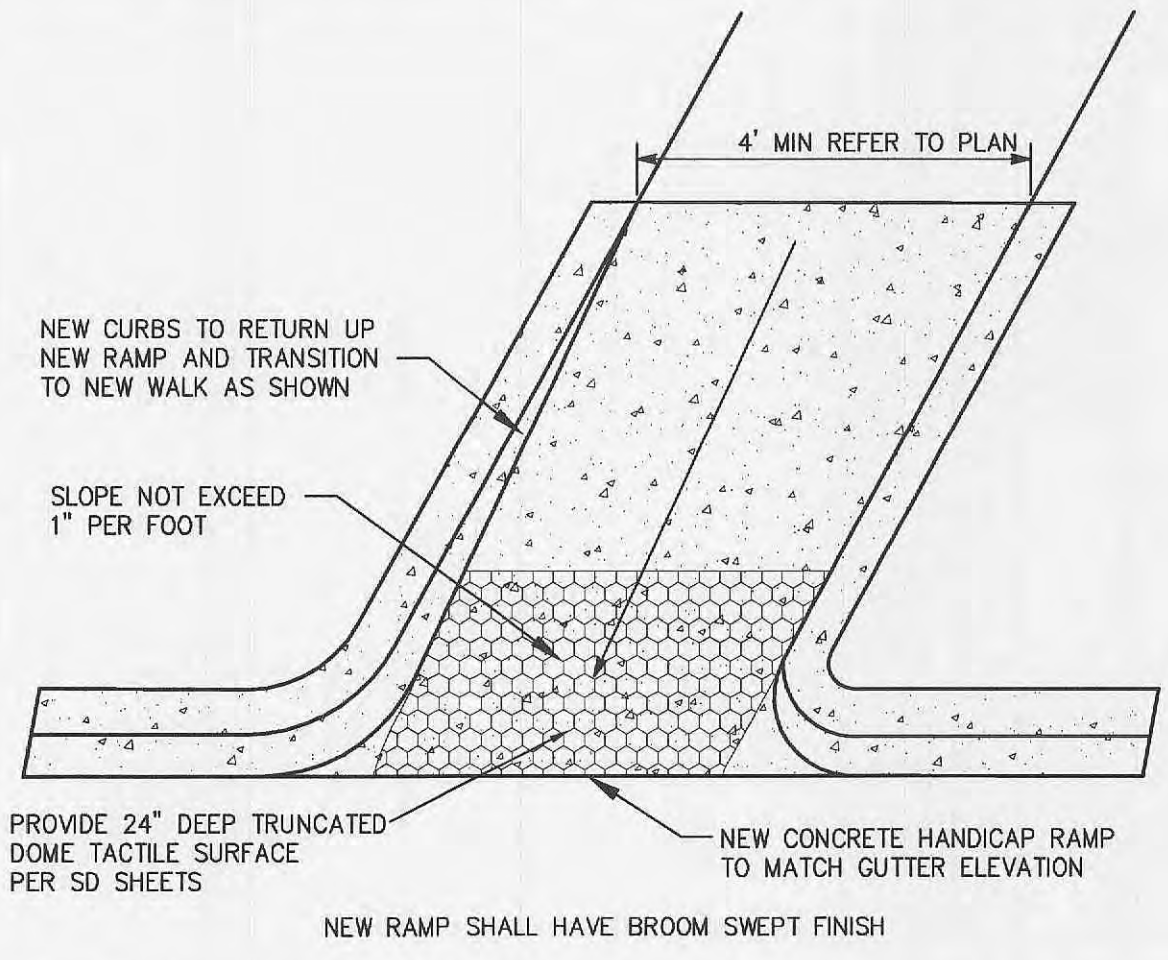
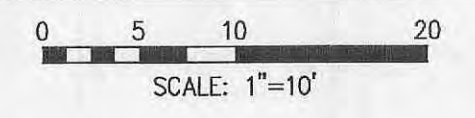
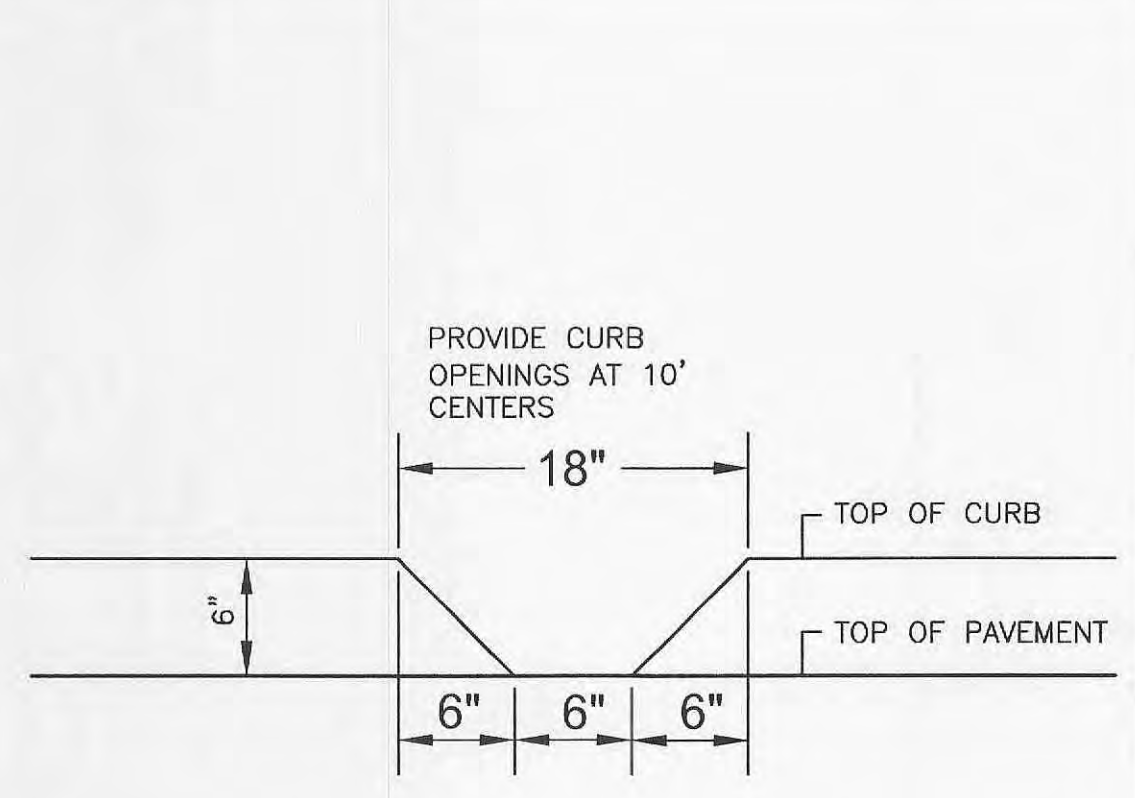


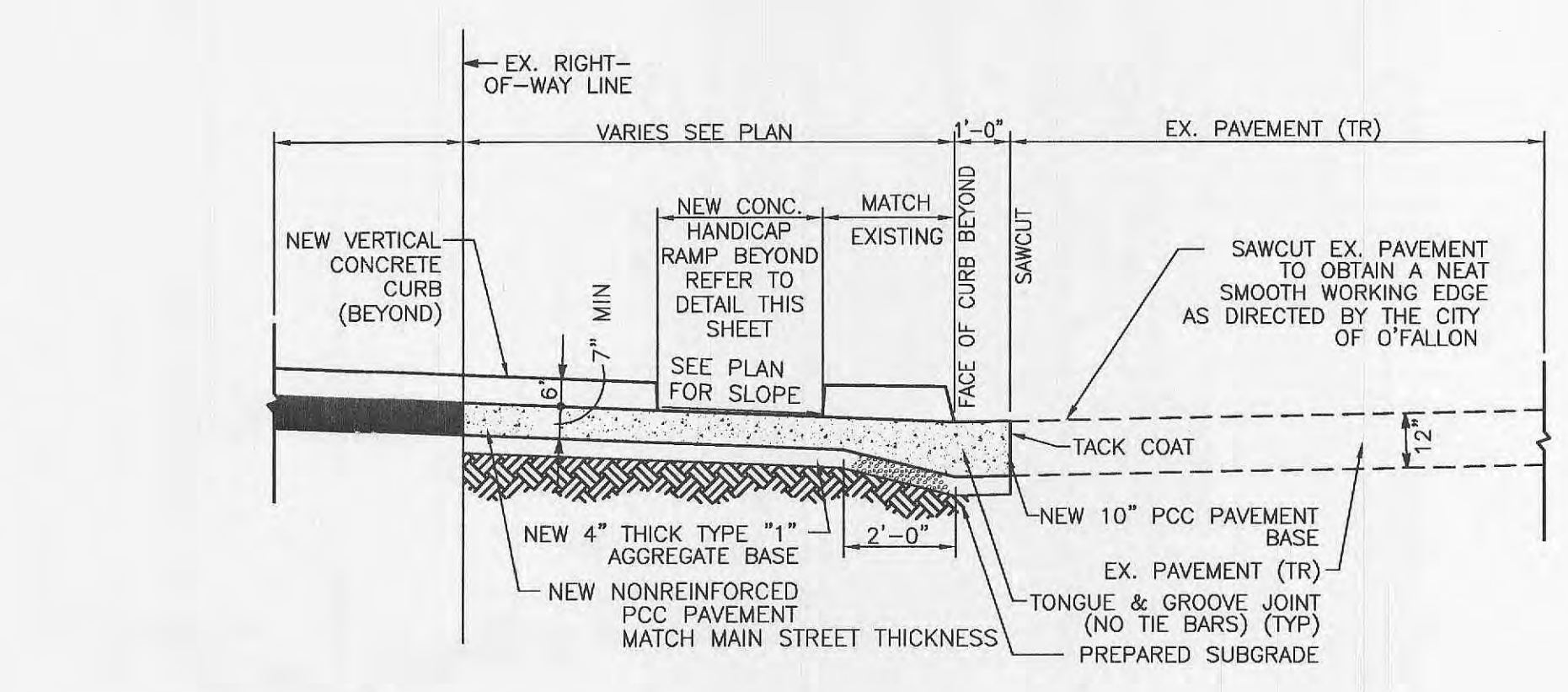
# ENTRANCE PLAN



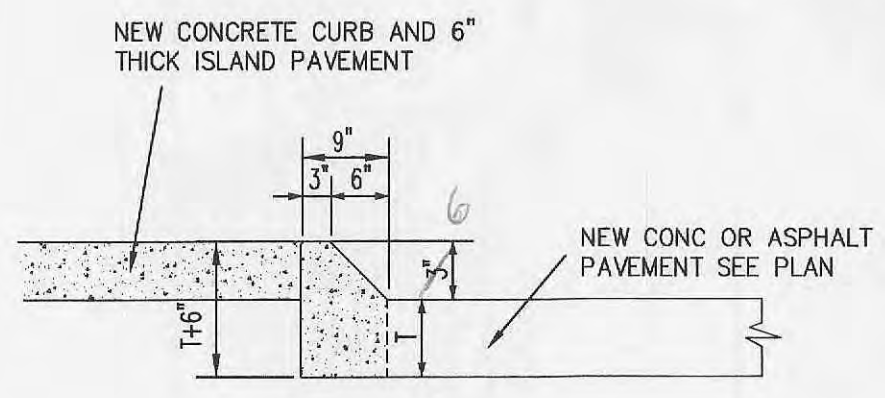
**1 Handicap Ramp Detail**  
Scale: Not To Scale



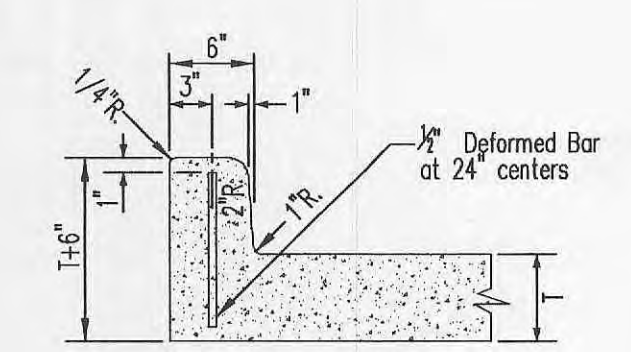
**2 Curb Slot Detail**  
Scale: Not To Scale



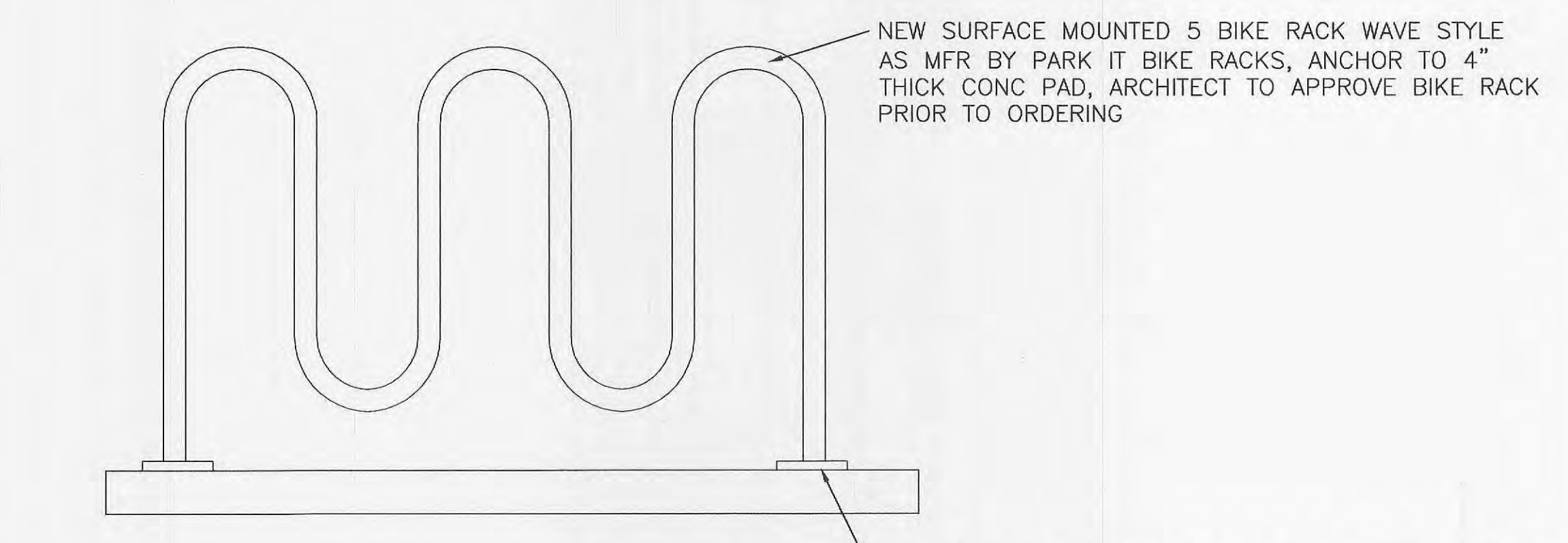
**3 New Entrance Detail**  
Scale: Not To Scale  
ENTRANCE SHALL CONFORM TO THE LATEST STDS AND SPECS OF THE CITY OF O'FALLON



**4 Curb At Island Detail**  
Scale: Not To Scale



**5 Curb At Entrance Detail**  
Scale: Not To Scale



**6 5 Bike Rack Wave Style Detail**  
Scale: Not To Scale

### PAVING SPECIFICATION

REFER TO SHEET SD1 DETAIL 11 FOR ASPHALT PAVEMENT DETAIL, REFER TO C0.1 AND C0.2 FOR TYPICAL PAVEMENT NOTES  
NOTE: McDONALD'S PROJECT MANAGER RESERVES THE RIGHT TO REQUEST A COMPACTION TEST AND/OR A CORE SAMPLE IF TESTS PROVE CORRECT. PER ABOVE SPECIFICATIONS, TESTS WILL BE AT THE EXPENSE OF McDONALD'S, OTHERWISE G.C. WILL BE CHARGED.

### LOT LIGHTING RECOMMENDATION

PARKING INFORMATION	
TOTAL SPACES	38
SPACES	3 SPACES 10'-0" X 42' @ 60"
HCP SPACES	2 HCP SPACES 9'-0" X 19' @ 75"
SPACES	33 SPACES 9'-0" X 19' @ 75"

UTILITY INFORMATION	SIZE	TYPE	LOCATION
SANITARY SEWER	-	-	-
WATER	-	-	-
STORM SEWER	-	-	-
ELECTRIC	-	-	-
GAS	-	-	-

SURVEY INFORMATION	
PREPARED BY:	Farnsworth GROUP
DATE:	

LEGEND	
SANITARY SEWER	GAS
WATER	LOT LIGHT LP:30
STORM SEWER	EXISTING ELEVATION (76.5)
ELECTRIC	PROPOSED ELEVATION (77.0)

PLAN SCALE: SHOWN	
STREET ADDRESS	
1001 NORTH MAIN STREET	
CITY	STATE
O'FALLON	MISSOURI
COUNTY	
ST. CHARLES	
REGIONAL DWG. NO	NATIONAL NUMBER
024-0674	-

CONTRACTOR TO VERIFY 4" THICK CONC SLAB WILL BE DEEP ENOUGH TO PROVIDE ADEQUATE COVERAGE AT BIKE RACK ANCHORS, CONTRACTOR TO PROVIDE COVERAGE AT ANCHORAGE PER MFRS RECOMMENDATIONS.