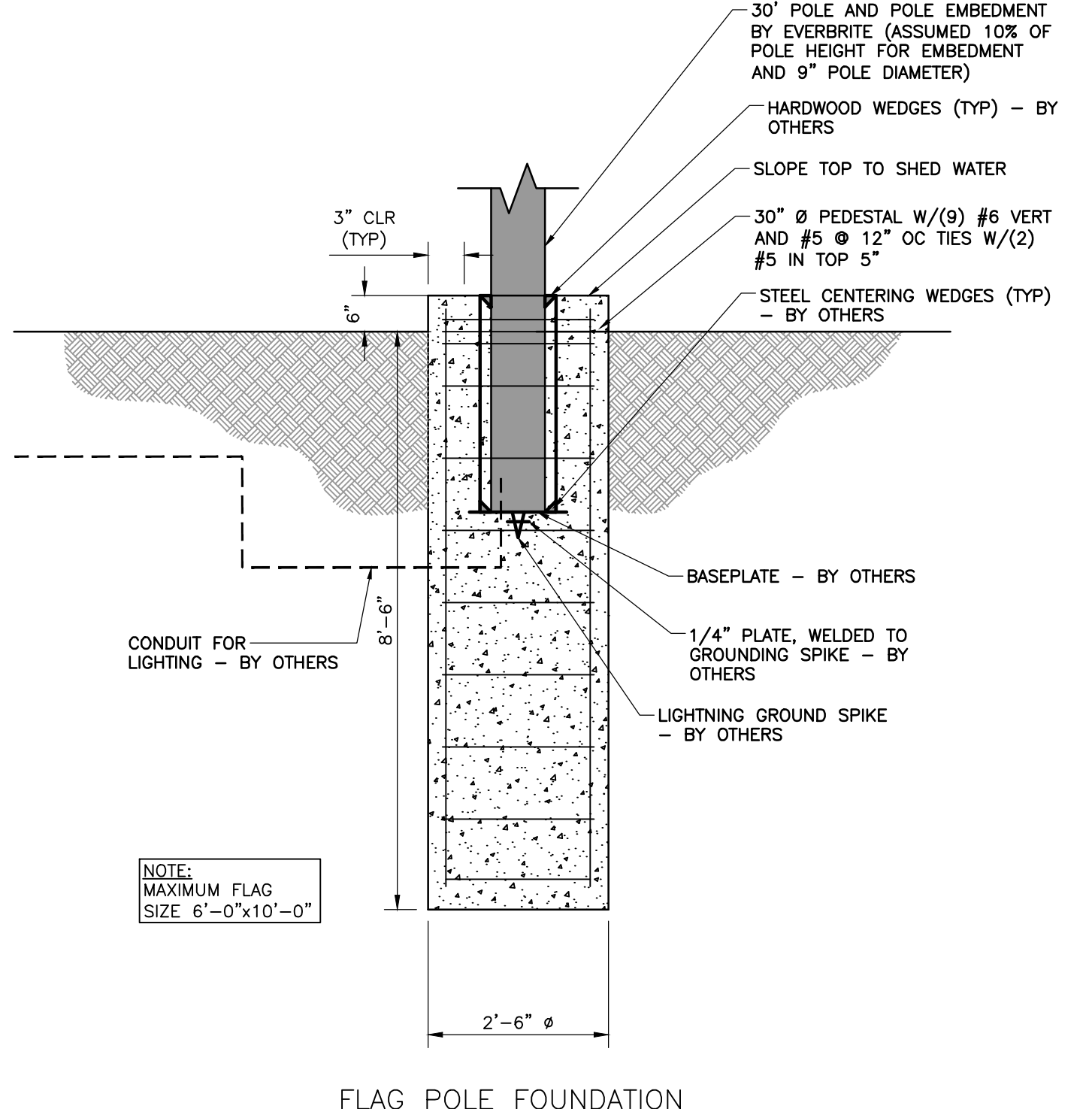
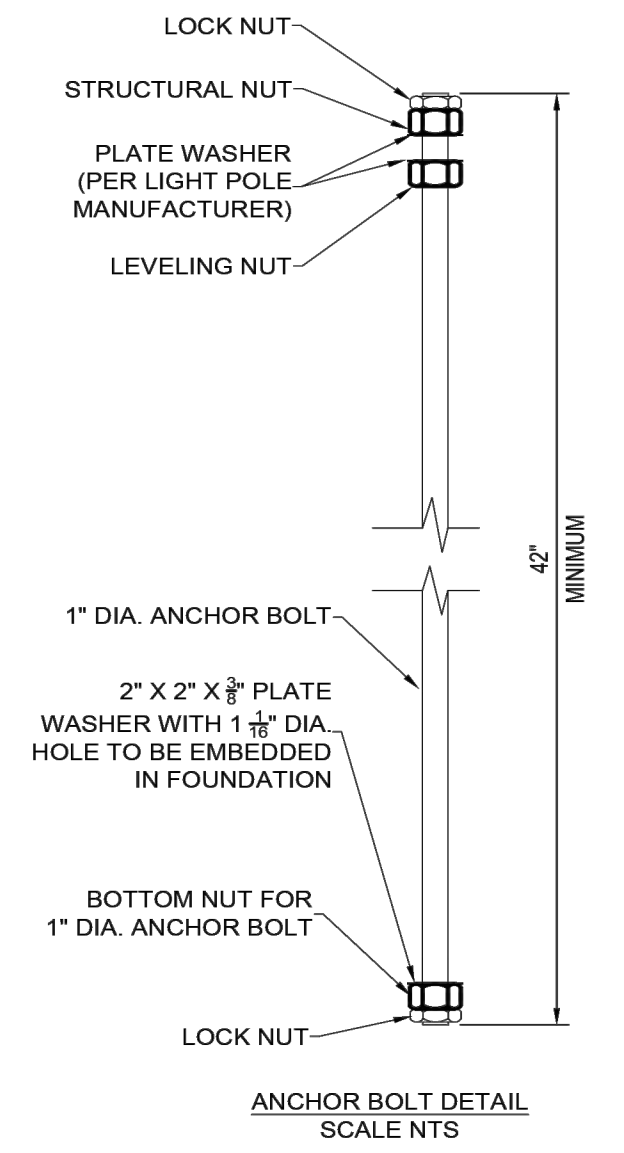
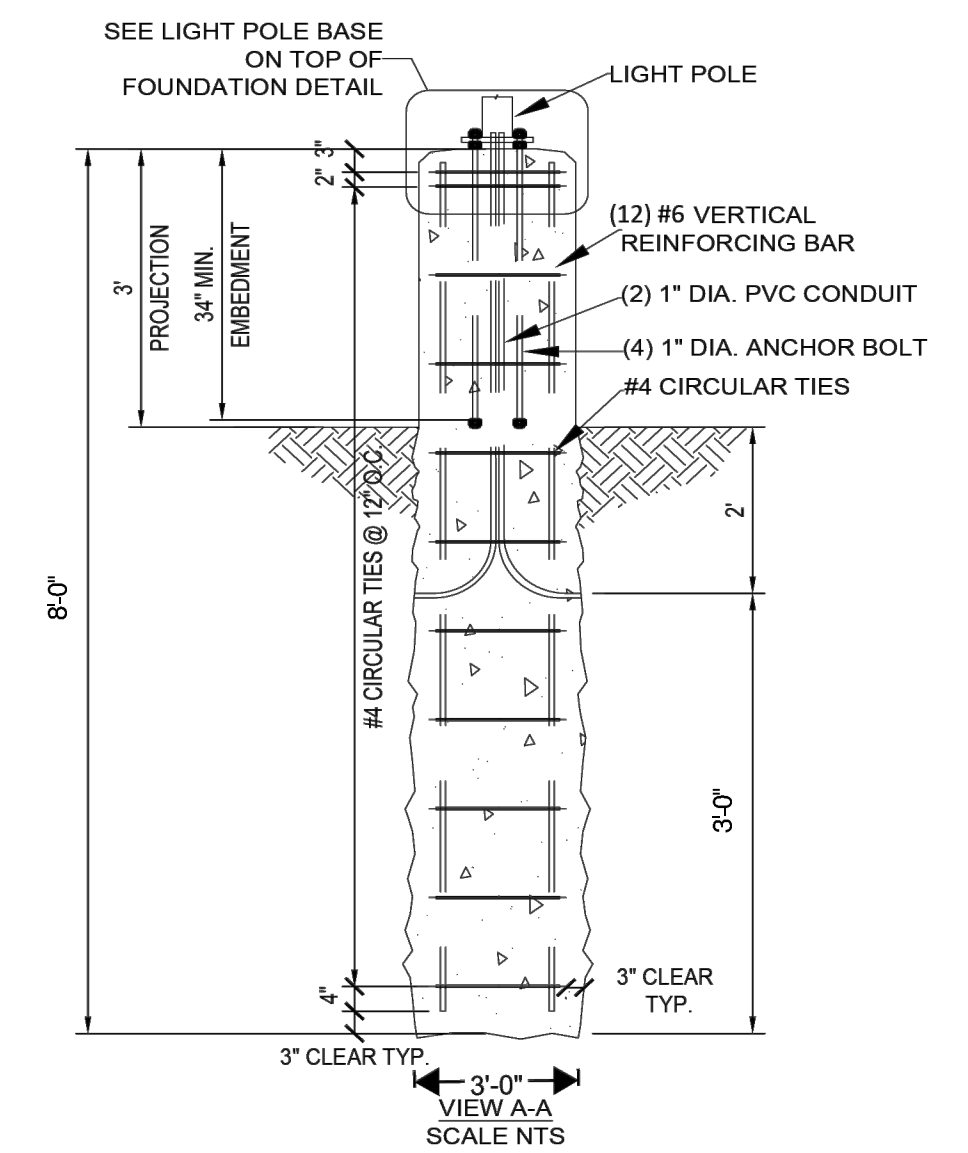
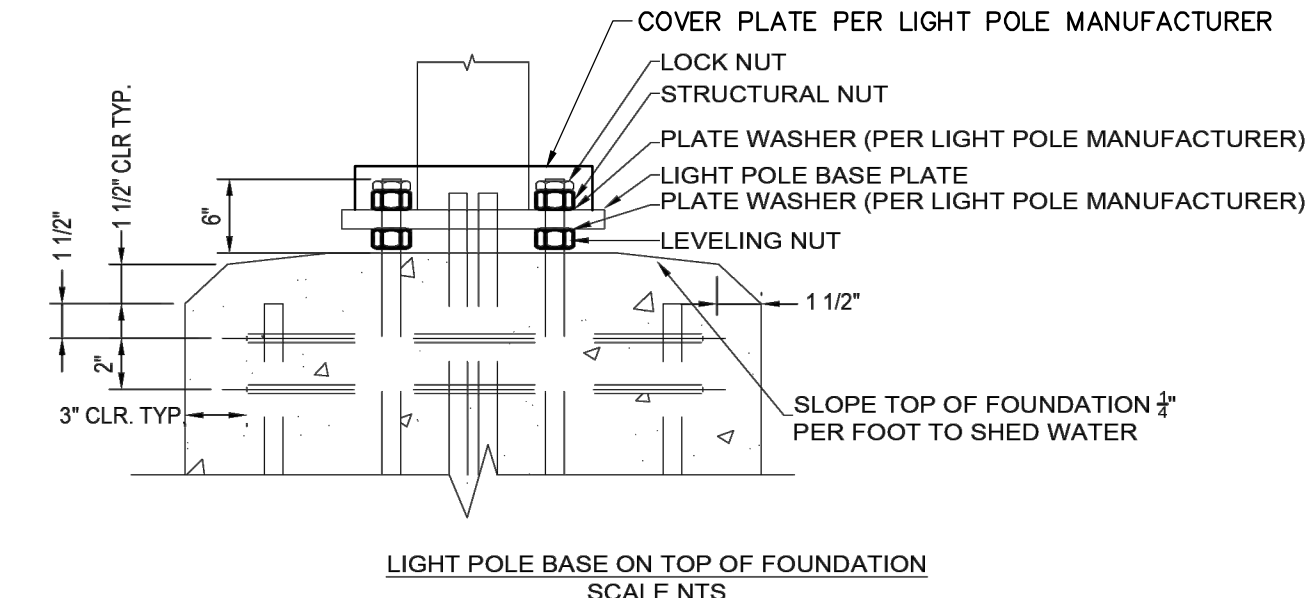
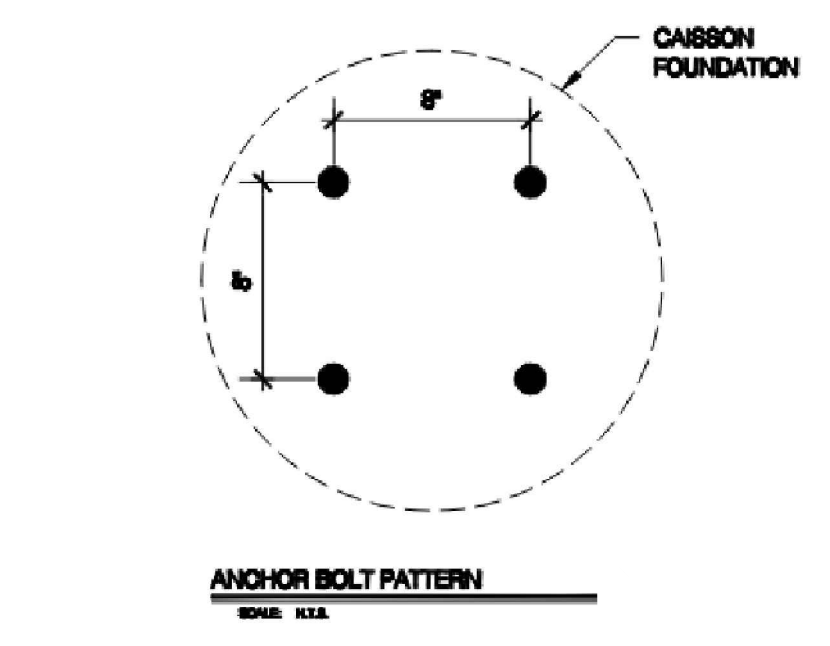


DESIGN CRITERIA  
AASHTO STANDARD SPECIFICATIONS FOR STRUCTURAL SUPPORTS FOR HIGHWAY SIGNS, LUMINAIRES AND TRAFFIC SIGNALS, FIFTH EDITION, 2009

GENERAL NOTES:  
1. CONCRETE COMPRESSIVE STRENGTH (F<sub>C</sub>) SHALL BE A MINIMUM OF 3000PSI.  
2. ANCHOR BOLTS SHALL BE ASTM F1554 GRADE 55, HOT DIP GALVANIZED PER ASTM F2329. THEY SHALL BE STRAIGHT AND NOT T<sub>1</sub> SHAPED.  
3. REINFORCING STEEL SHALL BE ASTM A615 GRADE 60.  
4. NUTS SHALL BE HEAVY HEX ASTM A563 GRADE DH, HOT DIP GALVANIZED PER ASTM A153.  
5. PLATE SHALL BE ASTM A572 GRADE 50, HOT DIP GALVANIZED PER ASTM A153.  
6. LOCK NUT SHALL BE HOT DIP GALVANIZED PER ASTM A153.  
7. ALL REINFORCING PER GENERAL CONTRACTOR.  
8. STANDARD LOT POLE IS FULLY, HOT DIPPED, GALVANIZED STEEL POLE WITH PLATINUM COLOR POWDER COAT. PAINTED STEEL LOT LIGHTS ARE NOT APPROVED.



**McDONALD'S CONSTRUCTION PLAN**  
A TRACT OF LAND BEING LOT 4 OF 'BRYAN ROAD COMMERCIAL, PLAT 1' RECORDED AS DOCUMENT 2023R-038185 IN THE ST CHARLES COUNTY RECORDS, BEING IN THE SOUTHWEST QUARTER OF FRACTIONAL SECTION 30, TOWNSHIP 47 NORTH, RANGE 3 EAST OF THE FIFTH PRINCIPAL MERIDIAN, CITY OF O'FALLON, ST. CHARLES COUNTY, MISSOURI

**Civil & Environmental Consultants, Inc.**  
3000 Little Hills Expressway, Suite 102  
St. Charles, MO 63301  
314-656-4566 · 866-250-3679  
www.cecinc.com



PATRICK T. BENNETT  
MO PE# 2002003134  
PROFESSIONAL CIVIL ENGINEER  
\*HAND SIGNATURE ON FILE

MIL	CAS	FTB	388-966
DRAWN BY:	CHECKED BY:	APPROVED BY:	PROJECT NO:

Developer / Owner Information  
**McDONALD'S RESTAURANT**  
NSN 43008 (024-1305)  
962 BRYAN ROAD  
O'FALLON, MISSOURI

P+Z No. 24-00803  
Approval Date 04/08/2024  
Permit No.

Page No.  
**C803**