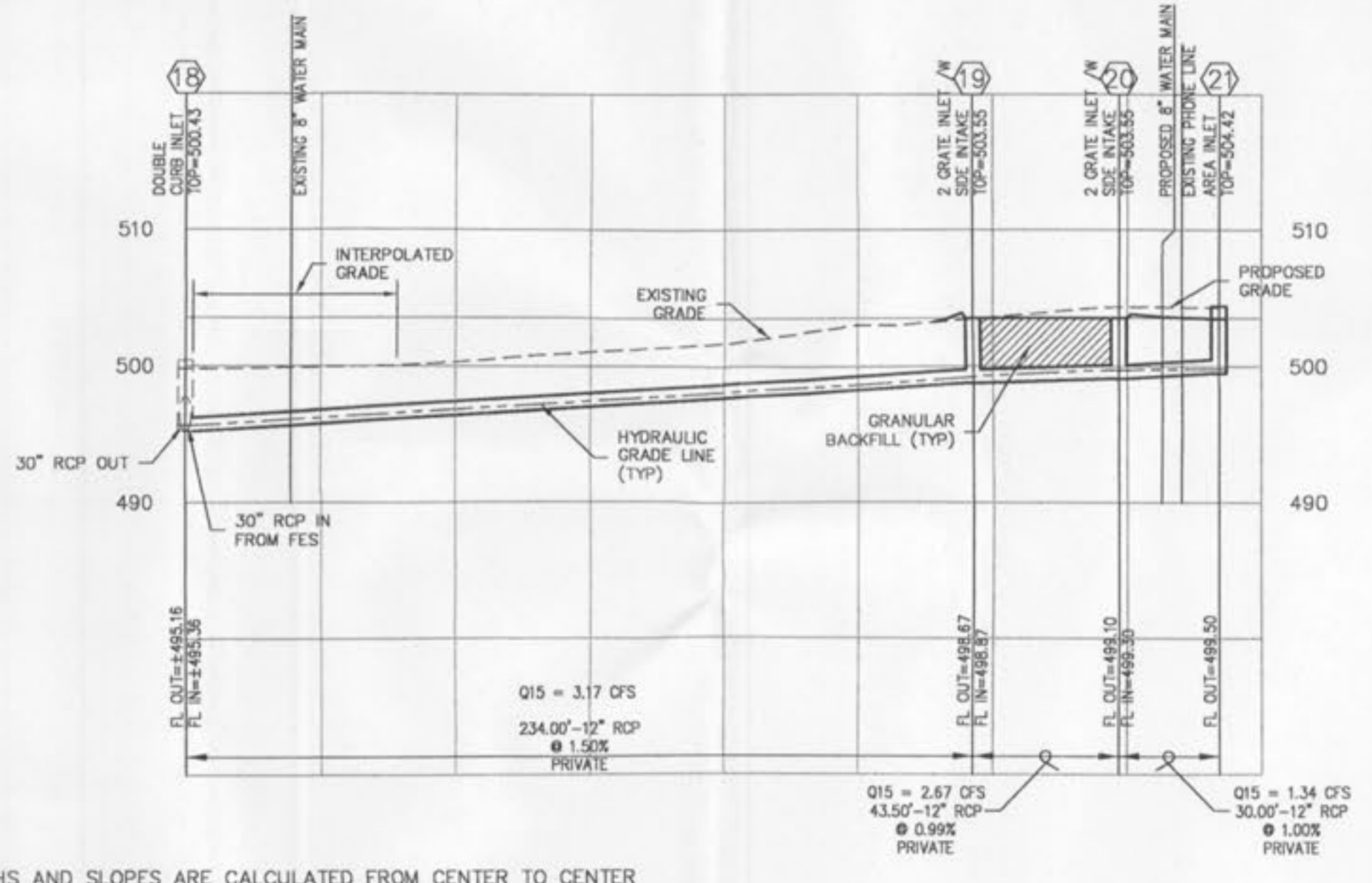
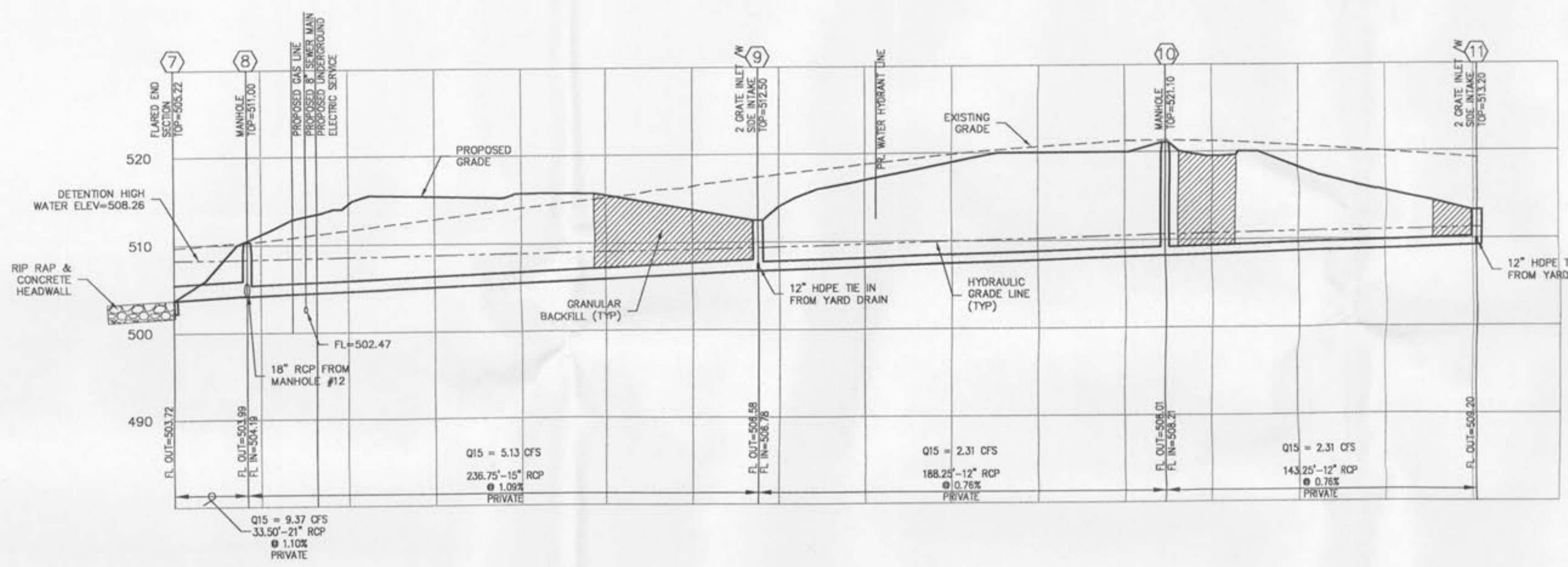
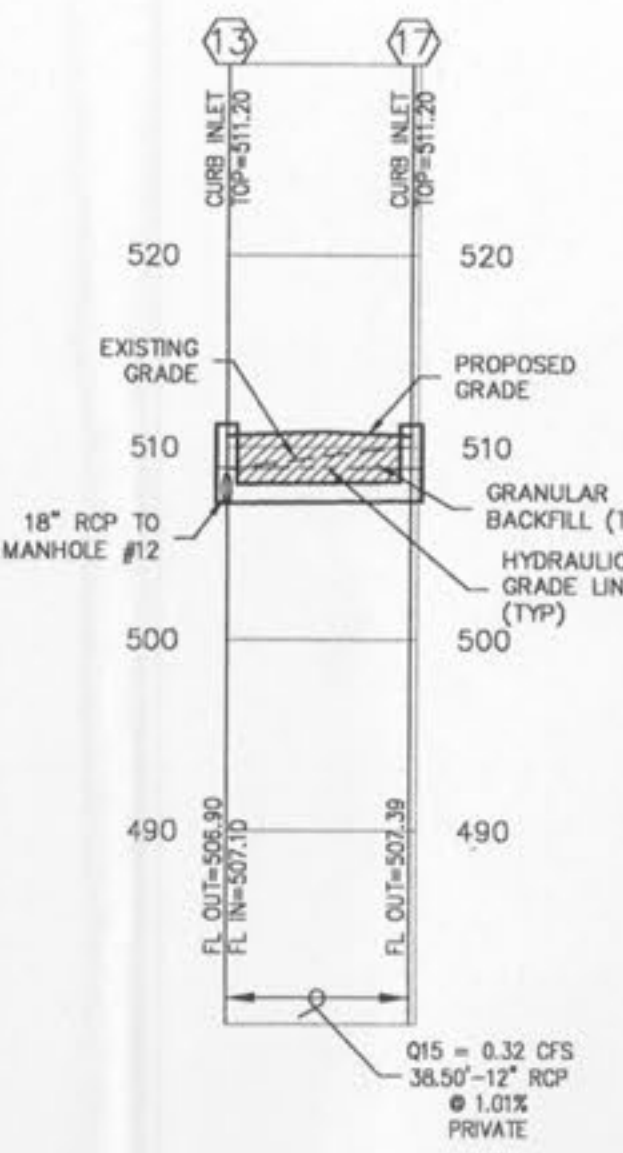
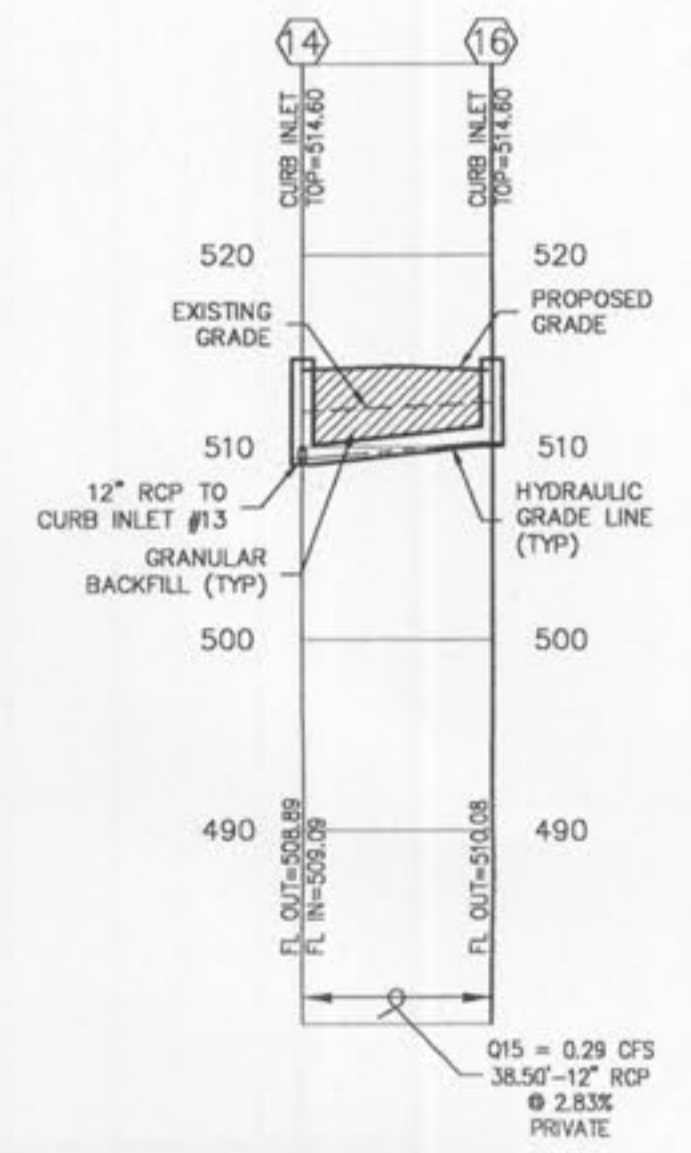
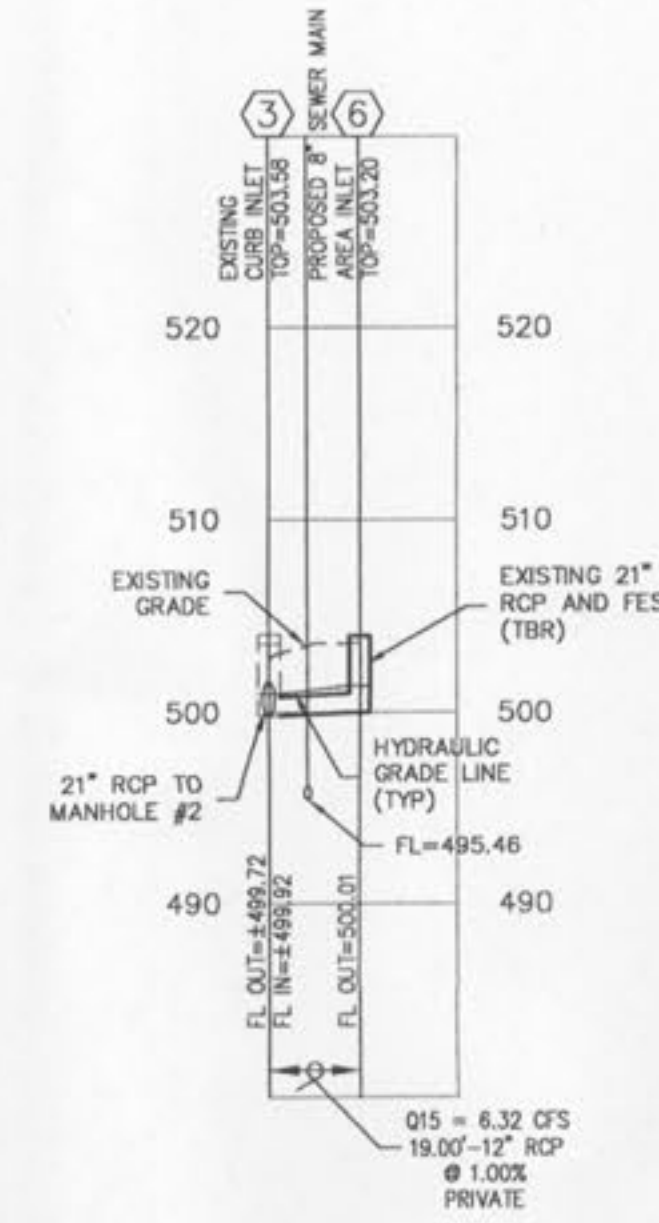
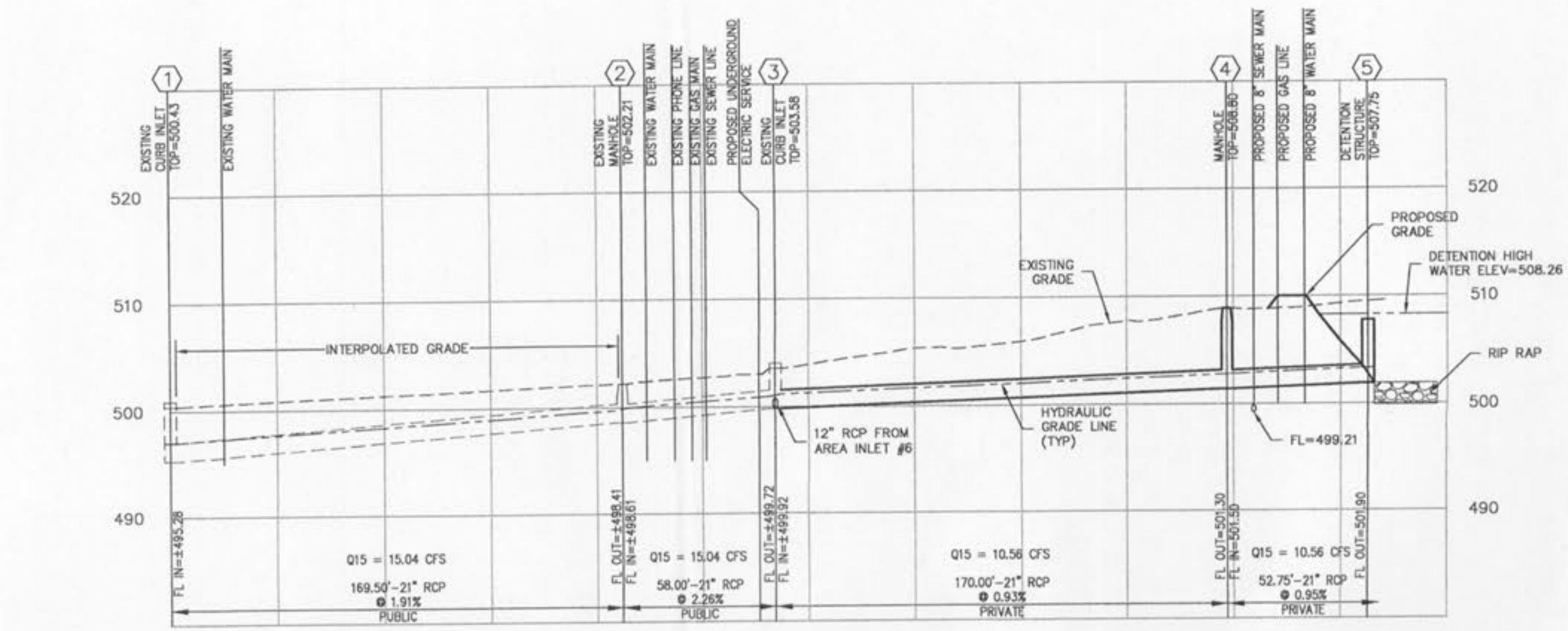
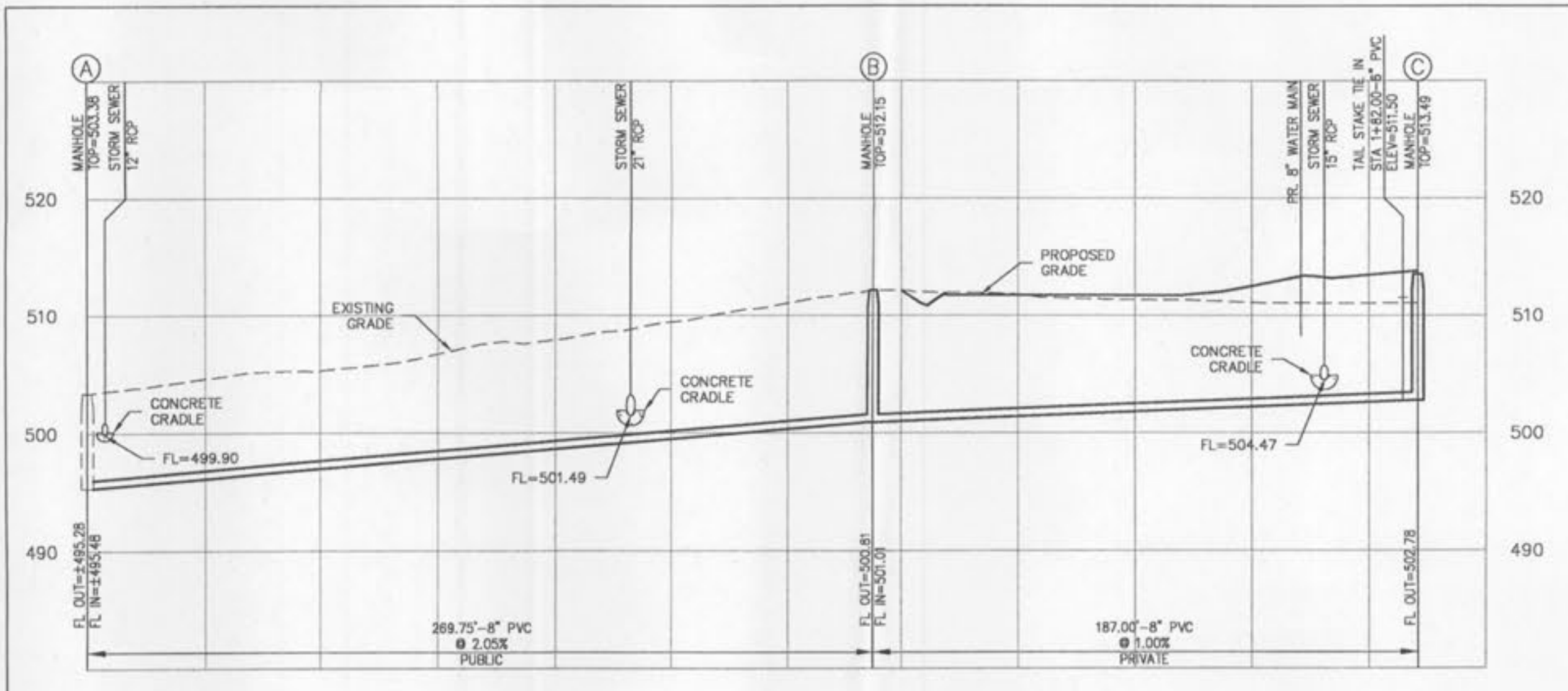
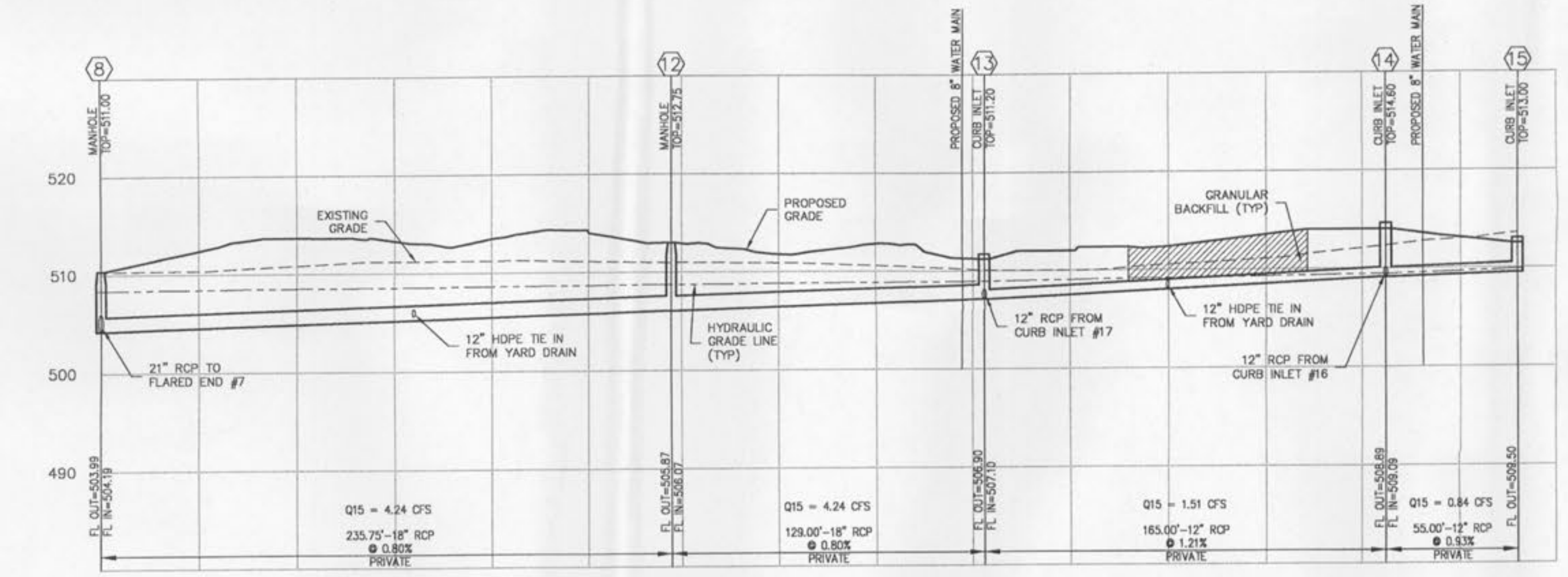


L:\DWG\1000\2008 - 7\39mm DRAWING\5\JOB5\1000\2008\086.dwg



NOTE: LENGTHS AND SLOPES ARE CALCULATED FROM CENTER TO CENTER OF EACH STRUCTURE. CONTRACTOR TO ADJUST PIPE LENGTHS AND SLOPS ACCORDINGLY FOR FLOW LINES AND STRUCTURES.



NOTE: A CONCRETE CRADLE FOR RCP AND ENCASMENT FOR HDPE WILL BE REQUIRED FOR ALL STORM SEWER LINES WHEN CROSSING MORE THAN 18" ABOVE SANITARY LINES.

**2 STORM PROFILES**  
SCALE: HORIZONTAL 1"=40'; VERTICAL 1"=10' REF. DWG. C5.0

**1 SANITARY PROFILE**  
SCALE: HORIZONTAL 1"=40'; VERTICAL 1"=10' REF. DWG. C4.0

<b>MEADOWLANDS</b> TOM GINNEVER AVE. 0' FALLOM, MISSOURI 63366	<b>ARCHITECT:</b> THE LAWRENCE GROUP ARCHITECTS	<b>REVISIONS</b> DATE: 2/22/08 1 0' FALLOM CITY COMMENTS 2 0' FALLOM CITY COMMENTS 3 0' FALLOM CITY COMMENTS 4 0' FALLOM CITY COMMENTS	
	<b>DEVELOPER/OWNER:</b> NEW COVENANT HEALTH CARE, LLC 47 CAMBRIAN WAY ST. CHARLES, MISSOURI 63301	<b>GENERAL CONTRACTOR:</b> TRH COMMERCIAL GROUP GENERAL CONTRACTOR: SEAL APPEAR HEREON (PERMIT TO SECTION 37.41 REMAINS THE RESPONSIBILITY OF ALL OTHER PLANS SPECIFICATIONS, ESTIMATES, REPORTS, OR OTHER DOCUMENTS OR INSTRUMENTS NOT FOR ANY PART OR PARTS OF THE PROJECT TO WHICH THIS WARE REFERRED.	<b>SEWER PROFILES</b>
	<b>ARCHITECT:</b> THE LAWRENCE GROUP ARCHITECTS P 200001114 MISSOURI PROFESSIONAL ENGINEER	<b>DESIGNED BY:</b> BC <b>DRAWN BY:</b> LM <b>CHECKED BY:</b> JR <b>DATE:</b> 12/14/07	<b>Job Number:</b> 06-086 <b>Sheet Number:</b> C6.0
	<b>DESIGNED BY:</b> BC <b>DRAWN BY:</b> LM <b>CHECKED BY:</b> JR <b>DATE:</b> 12/14/07	<b>Job Number:</b> 06-086 <b>Sheet Number:</b> C6.0	<b>DESIGNED BY:</b> BC <b>DRAWN BY:</b> LM <b>CHECKED BY:</b> JR <b>DATE:</b> 12/14/07