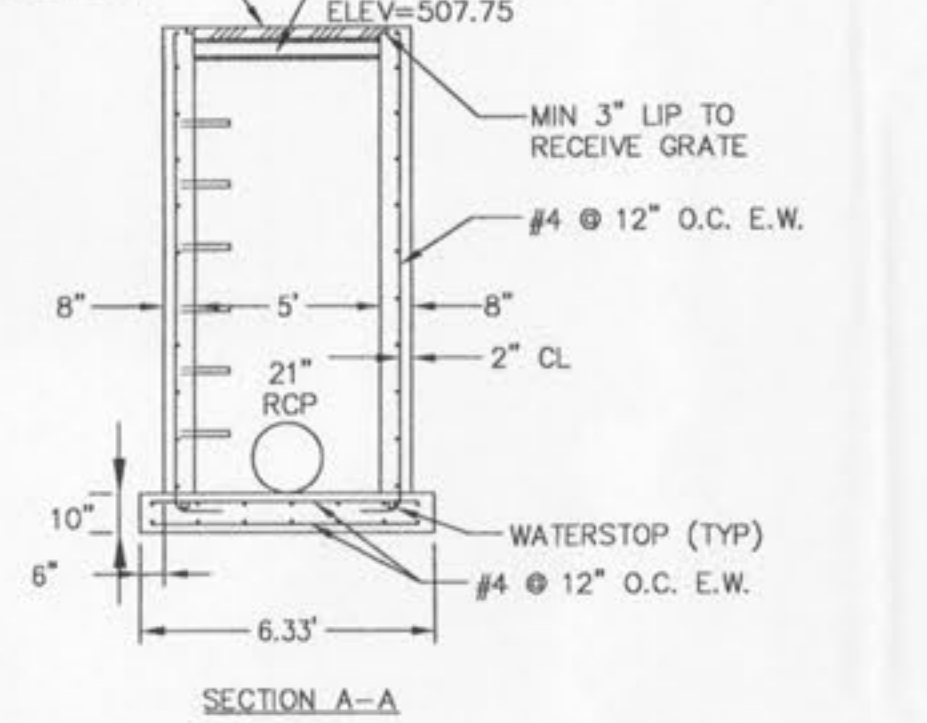
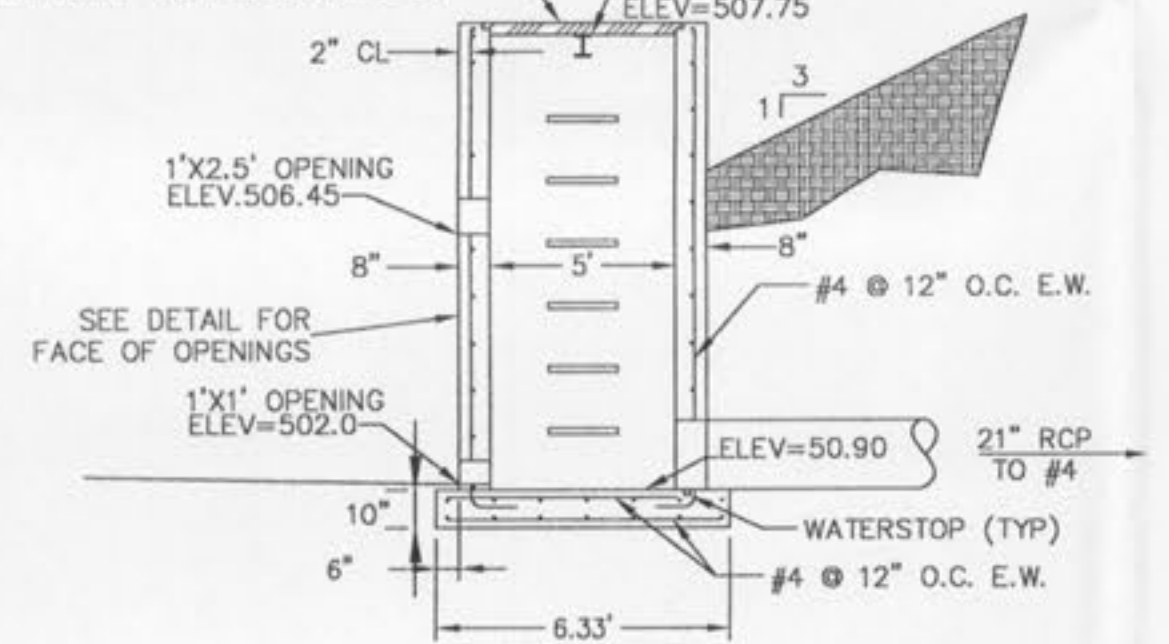


ALUMINUM FRAME AND GRATE (1" X 3" GRID PATTERN) CUT TO FIT & MECHANICALLY FASTENED TO STRUCTURE (250 P.S.F. LOAD REQUIREMENT)

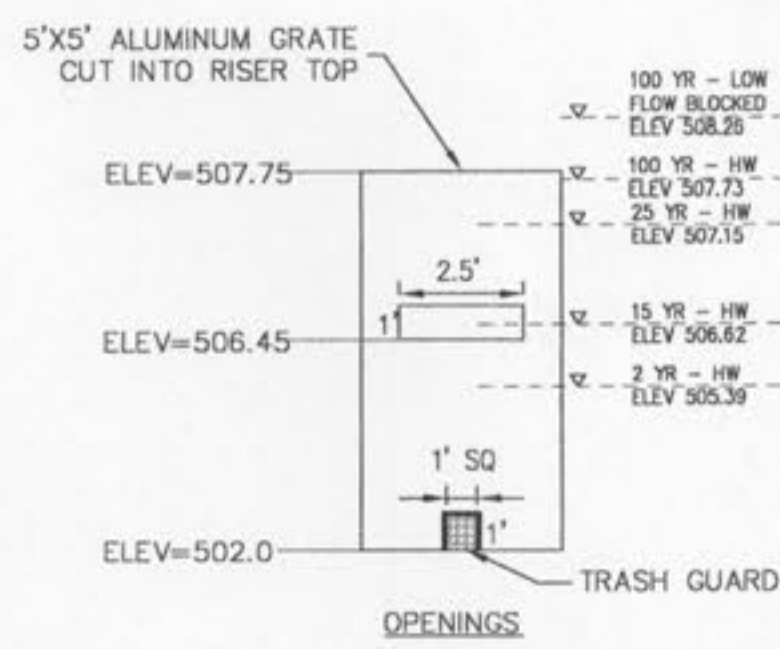


SECTION A-A

ALUMINUM FRAME AND GRATE (1" X 3" GRID PATTERN) CUT TO FIT & MECHANICALLY FASTENED TO STRUCTURE (250 P.S.F. LOAD REQUIREMENT)

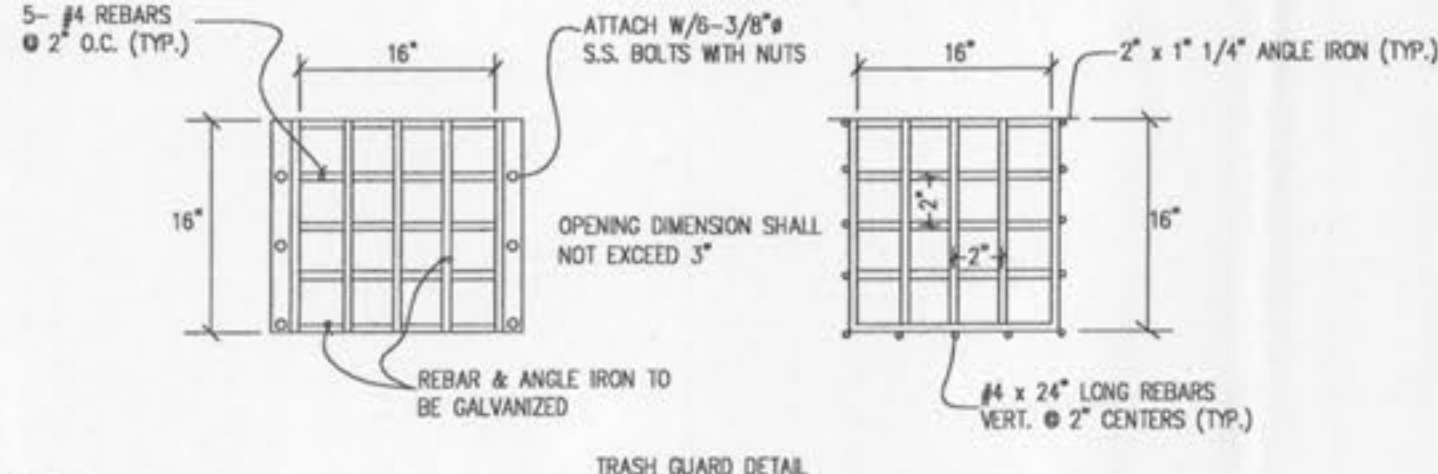


SECTION B-B



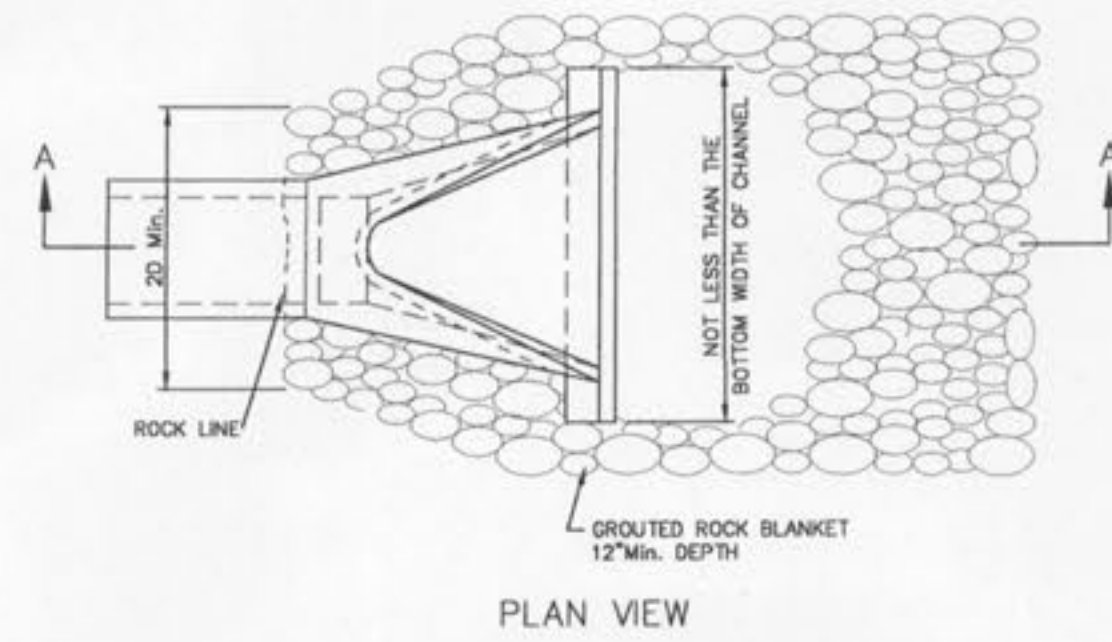
FRONT VIEW

TOP & BOTTOM VIEW

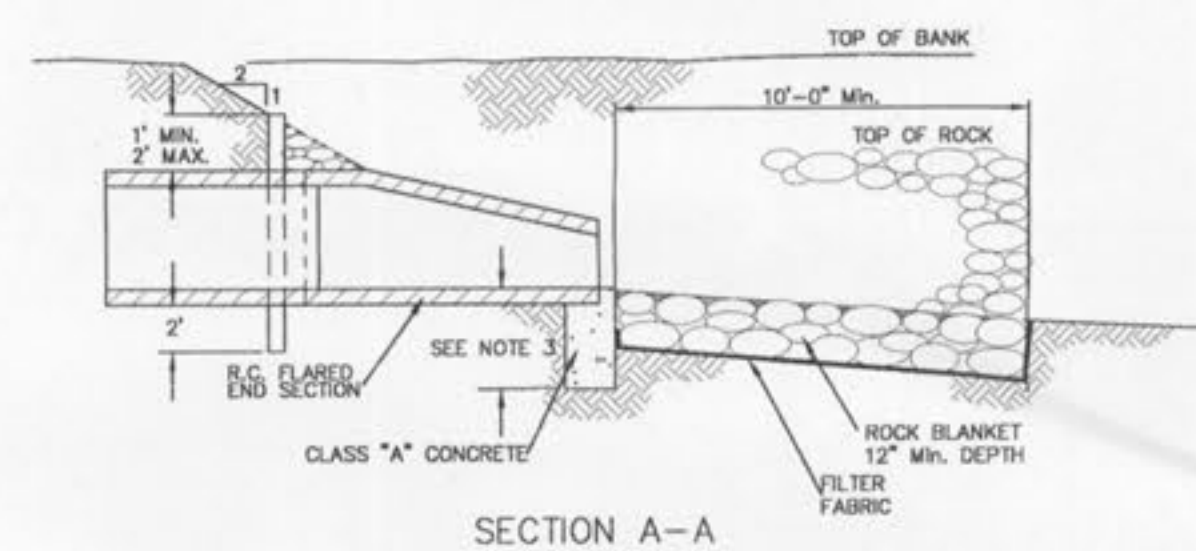


TRASH GUARD DETAIL

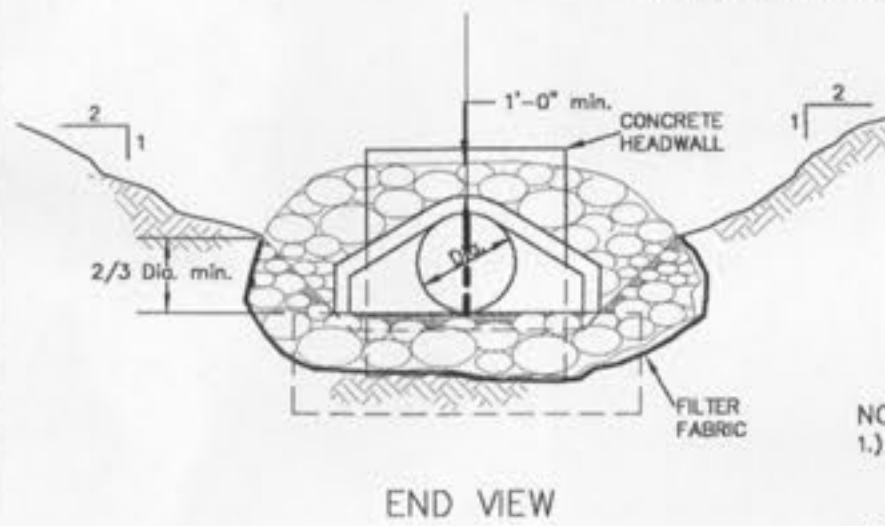
9 DETENTION OUTLET DETAIL
SCALE: N.T.S. REF. DWG. C4.0



PLAN VIEW



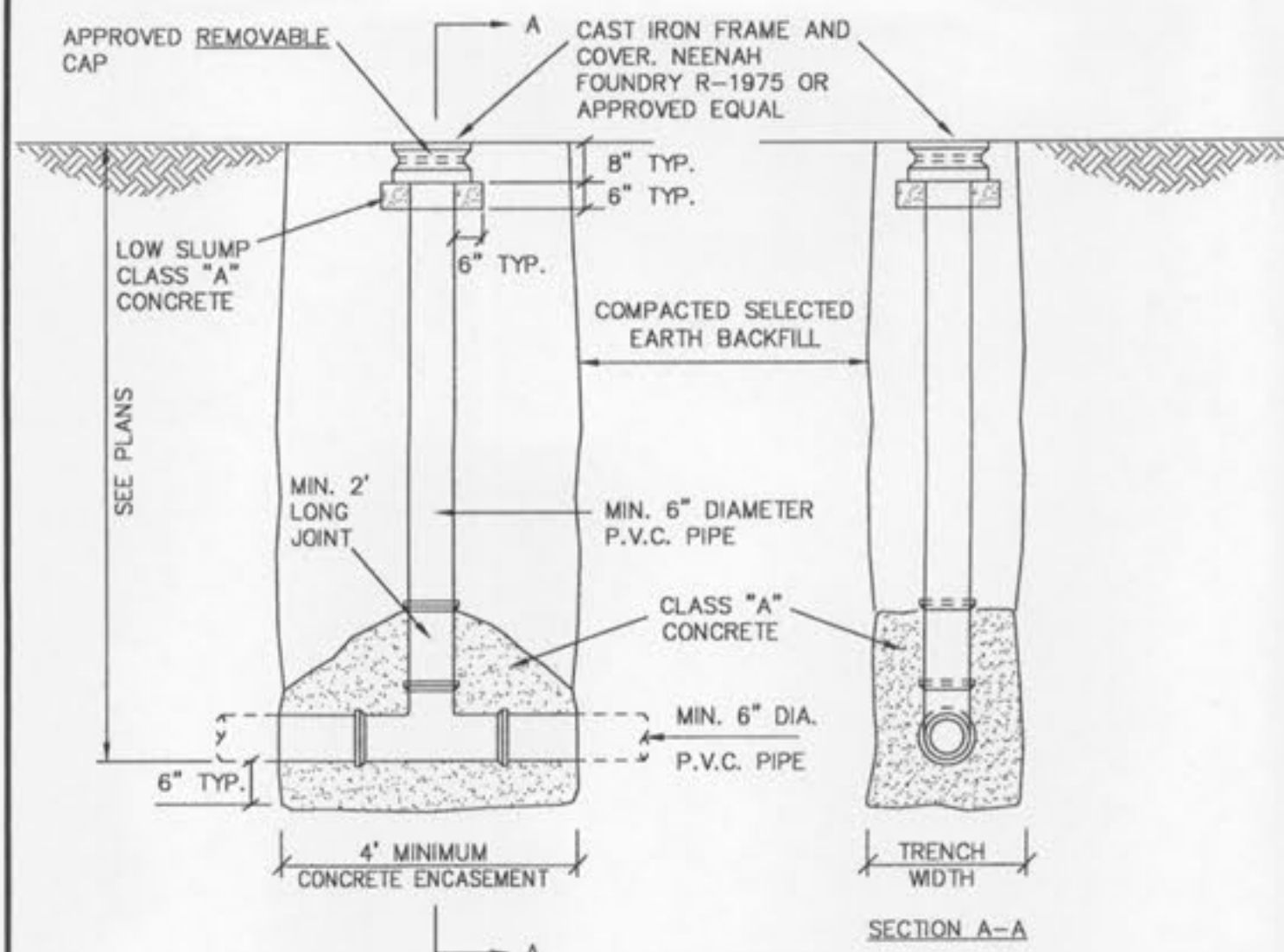
SECTION A-A



END VIEW

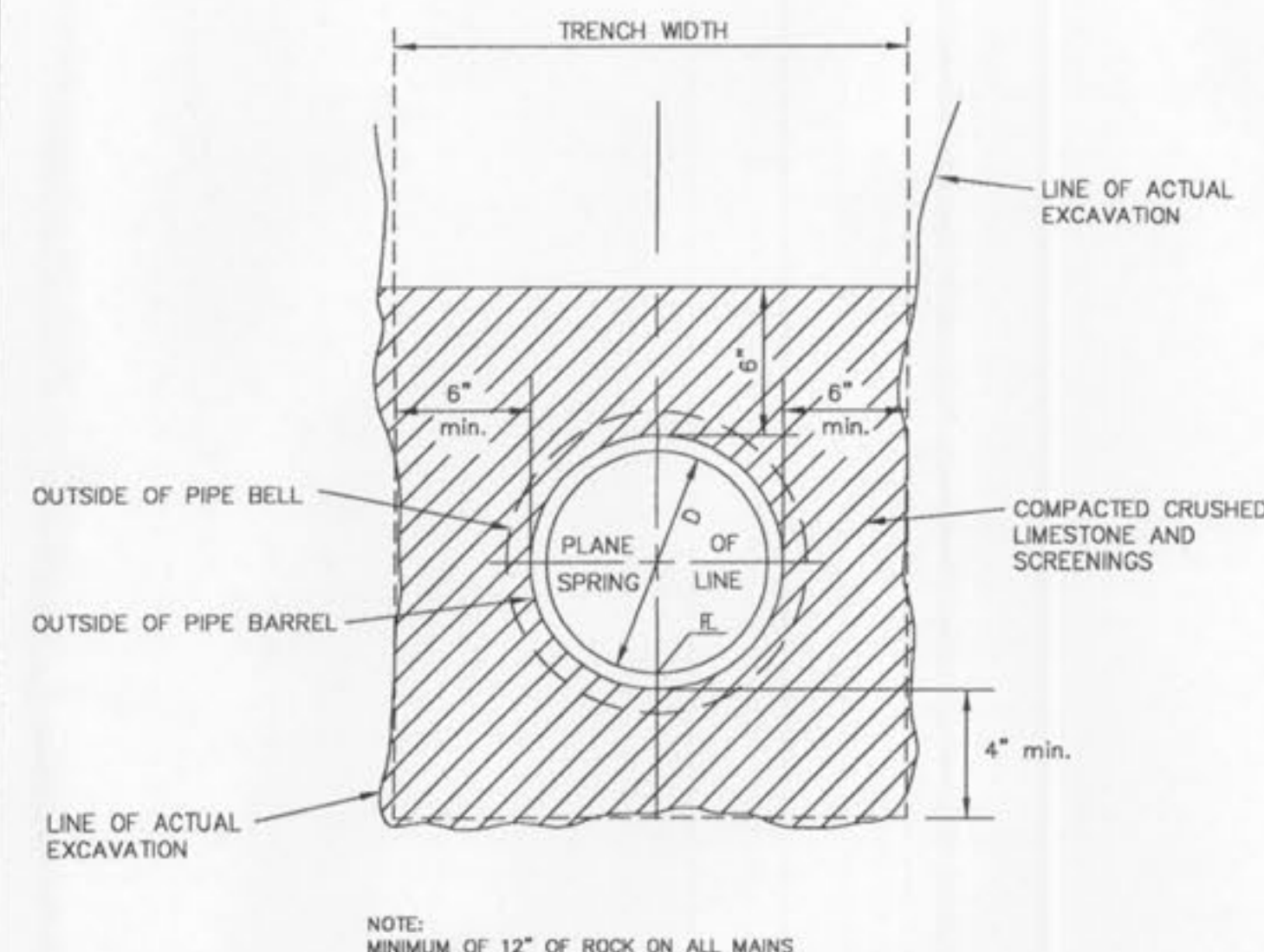
- NOTES:
- 1.) TO BE USED AT INTAKE AND DISCHARGE END OF PIPE. GRADE OF ROCK BLANKET TO BE ADJUSTED ACCORDINGLY.
 - 2.) CUTOFF WALLS ARE 2' DEEP UPSTREAM, AND 3' DEEP DOWNSTREAM.
 - 3.) ALL FLARED ENDS SHALL BE CONCRETE.

8 FLARED END SECTION
SCALE: N.T.S. REF. DWG. C4.0



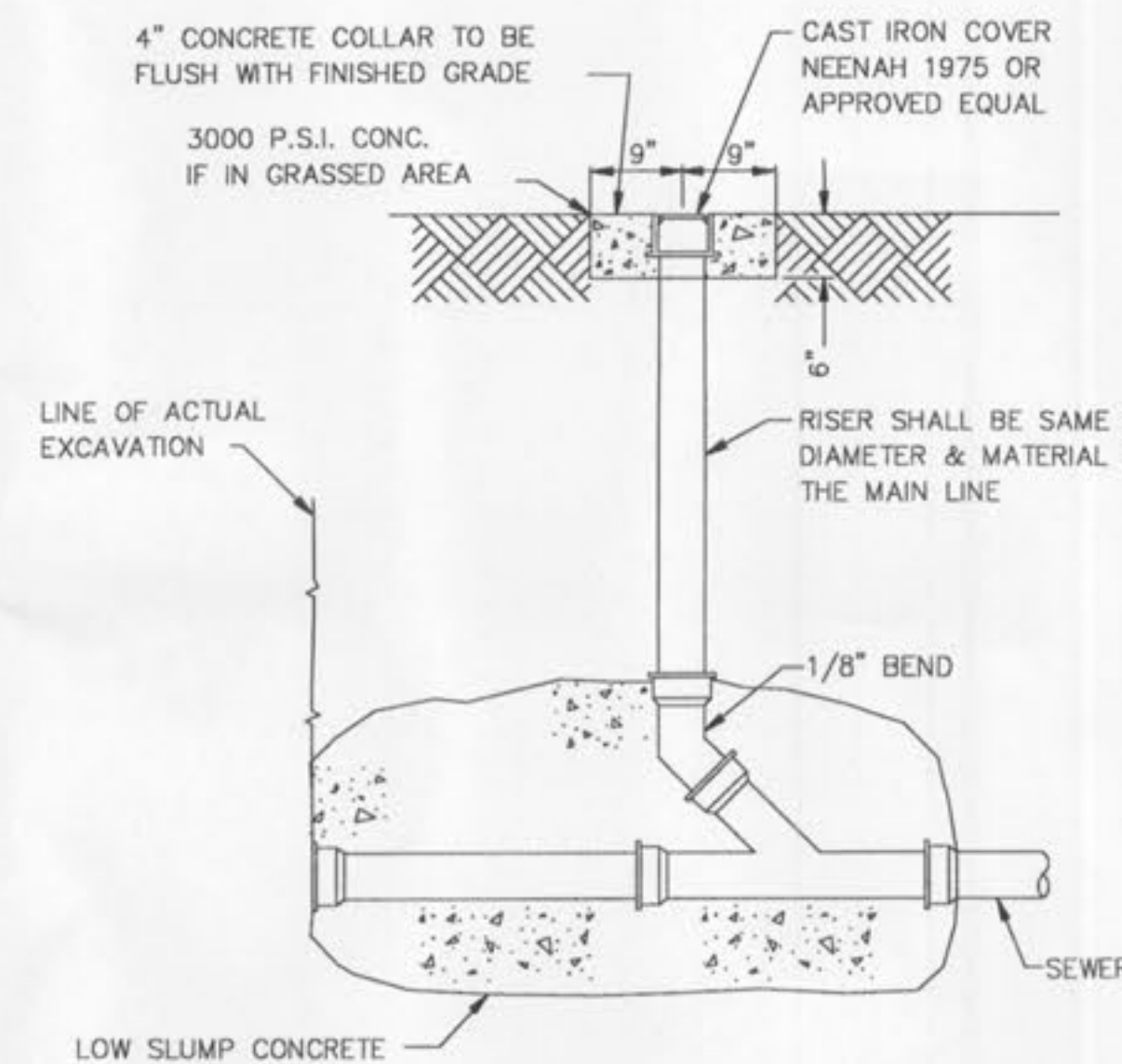
SECTION A-A

7 SAMPLING TEE DETAIL
SCALE: N.T.S. REF. DWG. C3.0

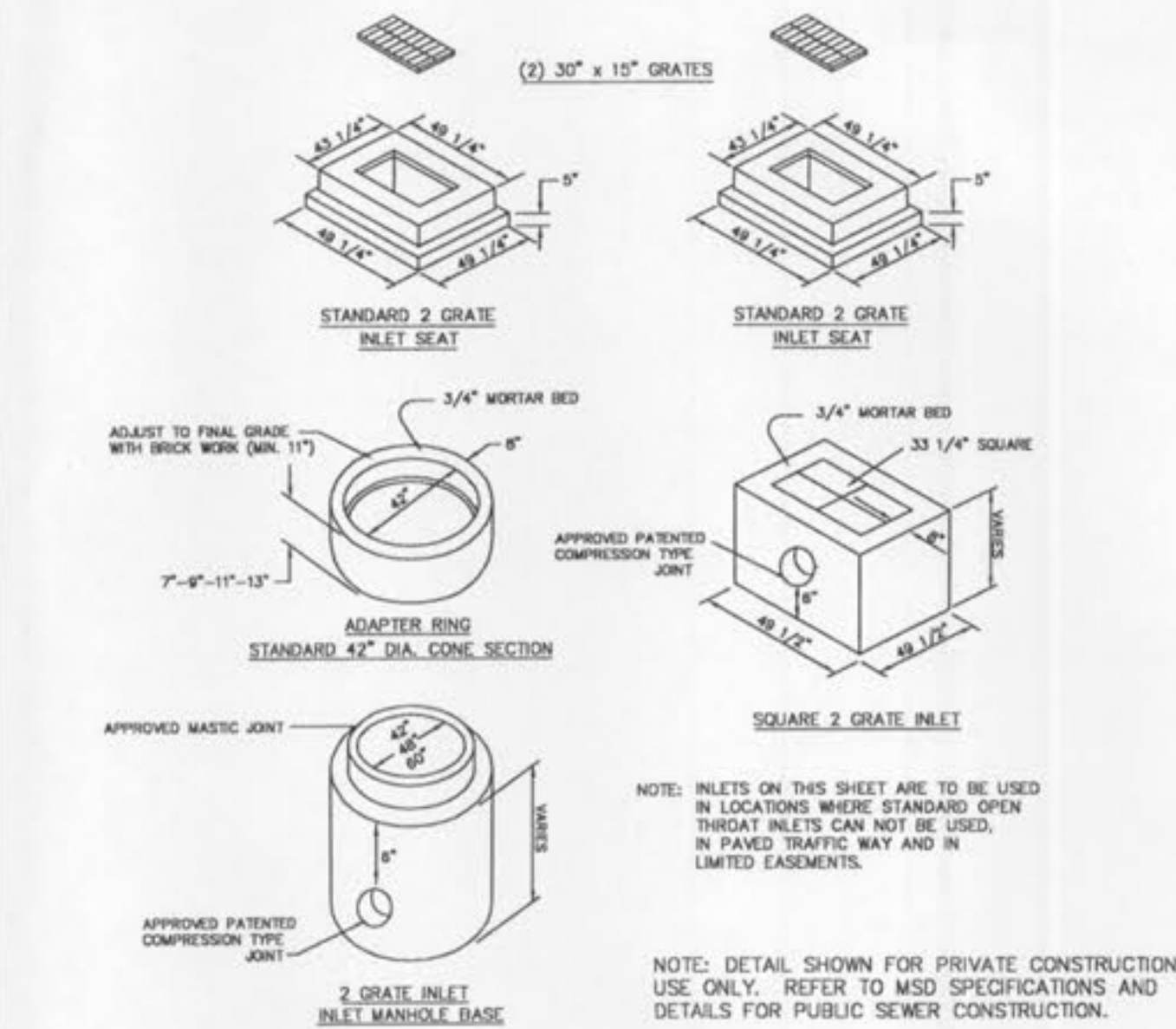


NOTE: MINIMUM OF 12" OF ROCK ON ALL MAINS

6 PIPE BEDDING DETAIL (PVC)
SCALE: N.T.S. REF. DWG. C3.0

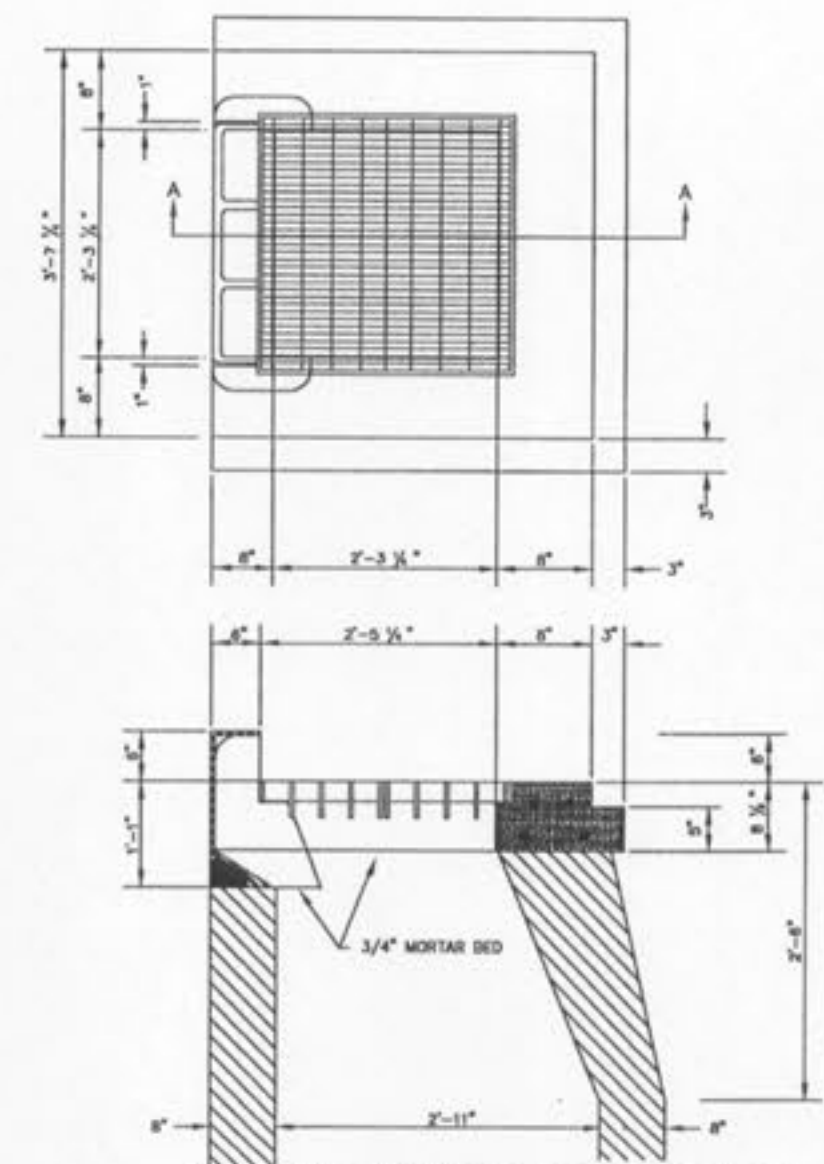


5 CLEANOUT DETAIL
SCALE: N.T.S. REF. DWG. C3.0



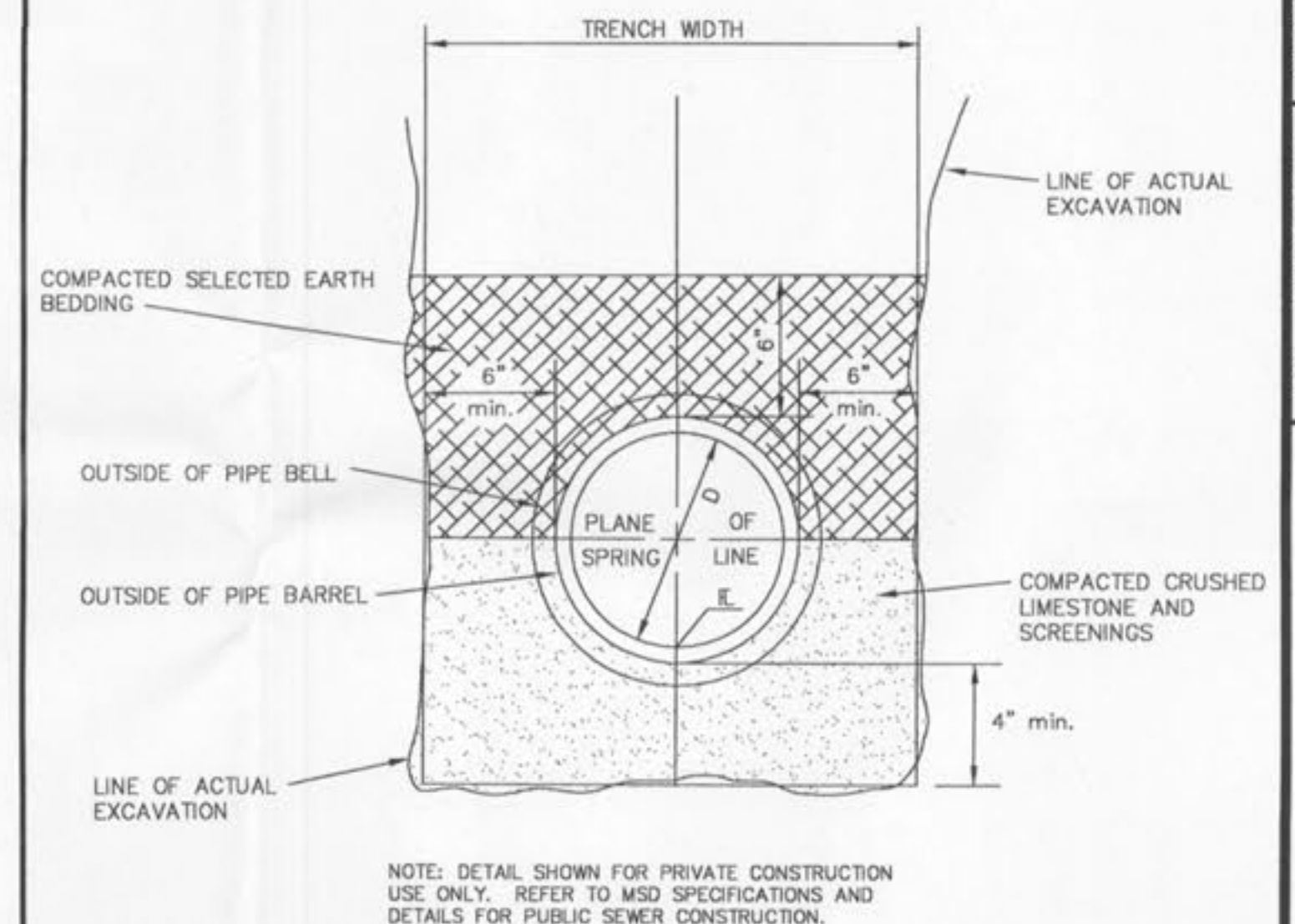
NOTE: INLETS ON THIS SHEET ARE TO BE USED IN LOCATIONS WHERE STANDARD OPEN THROAT INLETS CAN NOT BE USED, IN PAVED TRAFFIC WAY AND IN LIMITED EASEMENTS.

4 2-GRATE INLET DETAIL
SCALE: N.T.S. REF. DWG. C3.0



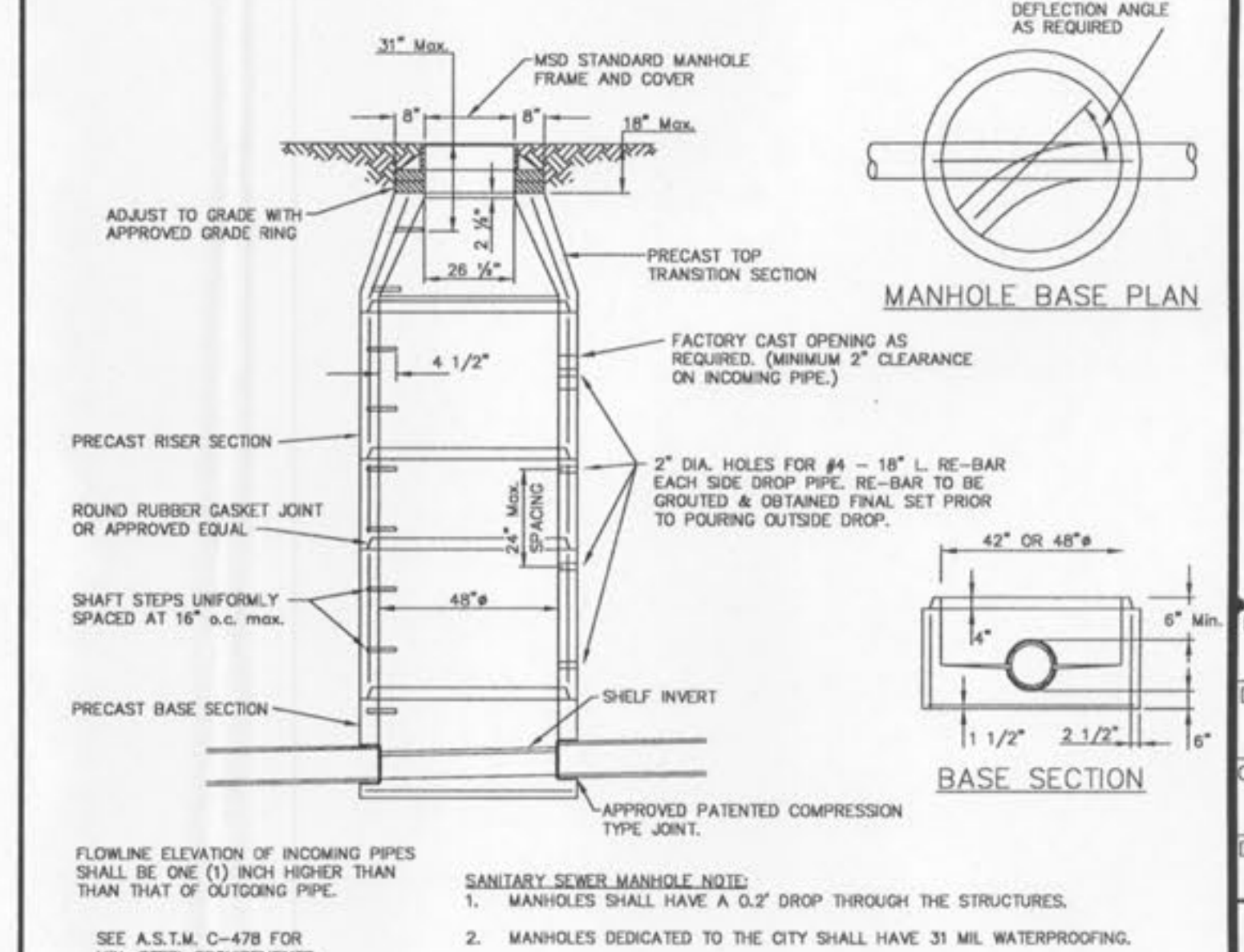
NOTE: DETAIL SHOWN FOR PRIVATE CONSTRUCTION USE ONLY. REFER TO MSD SPECIFICATIONS AND DETAILS FOR PUBLIC SEWER CONSTRUCTION.

3 GRATE INLET WITH SIDE INTAKE
SCALE: N.T.S. REF. DWG. C3.0



NOTE: DETAIL SHOWN FOR PRIVATE CONSTRUCTION USE ONLY. REFER TO MSD SPECIFICATIONS AND DETAILS FOR PUBLIC SEWER CONSTRUCTION.

2 PIPE BEDDING DETAIL (RCP)
SCALE: N.T.S. REF. DWG. C3.0



FLOWLINE ELEVATION OF INCOMING PIPES SHALL BE ONE (1) INCH HIGHER THAN THAT OF OUTGOING PIPE.

- SANITARY SEWER MANHOLE NOTE:
1. MANHOLES SHALL HAVE A 0.2" DROP THROUGH THE STRUCTURES.
 2. MANHOLES DEDICATED TO THE CITY SHALL HAVE 31 MIL WATERPROOFING.

1 PRECAST CONCRETE MANHOLE DETAIL
SCALE: N.T.S. REF. DWG. C3.0

DATE	DESCRIPTION
1/12/06	1. FALLON CITY COMMENTS
1/12/06	2. ARCHITECT OWNER & CONSTRUCTION LOG
1/12/06	3. ARCHITECT OWNER & CONSTRUCTION LOG
1/12/06	4. FALLON CITY COMMENTS

REVISIONS

DEVELOPER/OWNER: NEW COVENANT HEALTH CARE, LLC
47 CAMBRIAN WAY
ST. CHARLES, MISSOURI 63301

ARCHITECT: MEADOWLANDS ARCHITECTS

GENERAL CONTRACTOR: TRH COMMERCIAL GROUP



MEADOWLANDS ARCHITECTS
TOM GINNERVER, AVE.
0' FALLON, MISSOURI 63366

planning • engineering • surveying • landscape architecture

Gole and ASSOCIATES INCORPORATED
1243 tom ginnerver avenue
o'fallon, missouri 63366
p. 636-978-7508 f. 636-978-7509

DESIGNED BY: BC
DRAWN BY: LM
CHECKED BY: JR
DATE: 12/14/07
Job Number: 06-086
Sheet Number: C7.2

LAYOUT: C7.2
DATE: JUL 22, 2008 - 7:30am
DRAWING: S:\055\user008\06-086\CAD\06-086\06-086.dwg