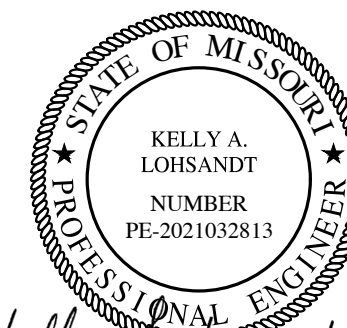


**MEADOWOOD ESTATES II, LP**  
**MEADOWOOD ESTATES - PHASE II**  
LOT 4 - MEADOWOOD ESTATES SUBDIVISION  
O'FALLON, ST. CHARLES COUNTY, MISSOURI

7/27/2022



*Kelly A. Lohsandt*

KELLY A. LOHSANDT  
PROFESSIONAL ENGINEER  
PE-2021032813

IF ORIGINAL SIGNATURE OR DIGITAL AUTHENTICATION IS NOT PRESENT THIS MEDIA SHOULD NOT BE CONSIDERED A CERTIFIED DOCUMENT.

Date

**JULY 27, 2022**

Revised

Design: KAL Drawn: BR

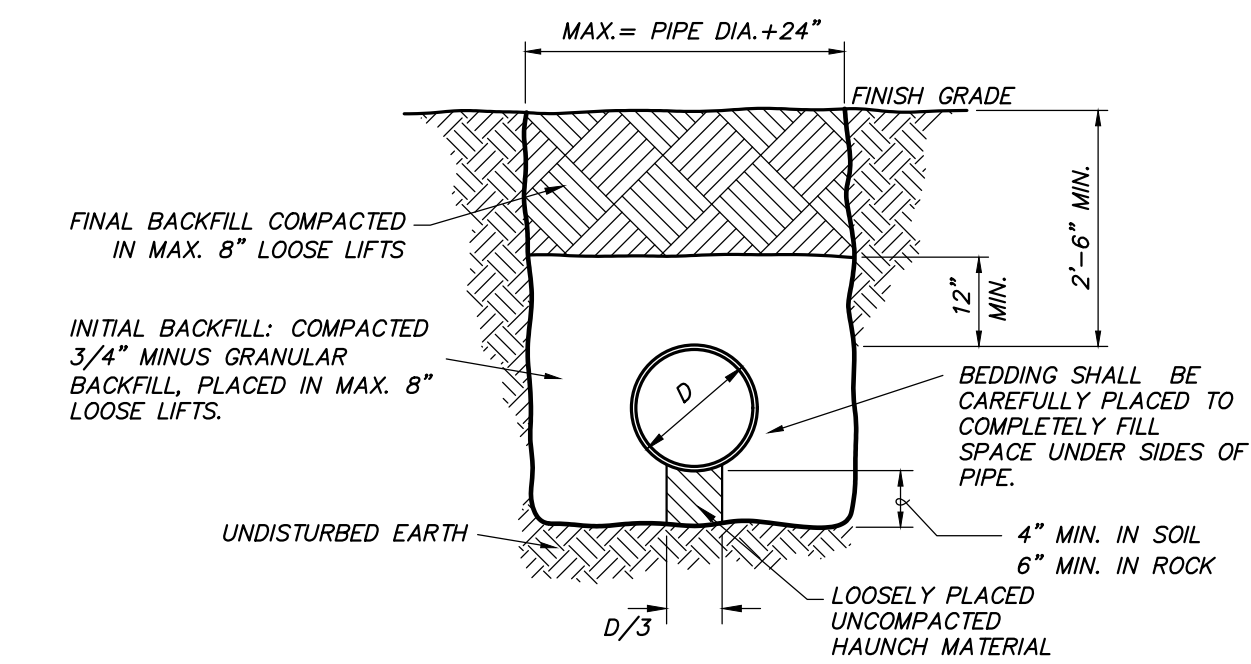
SANITARY SEWER DETAILS

Sheet

**C12.01**

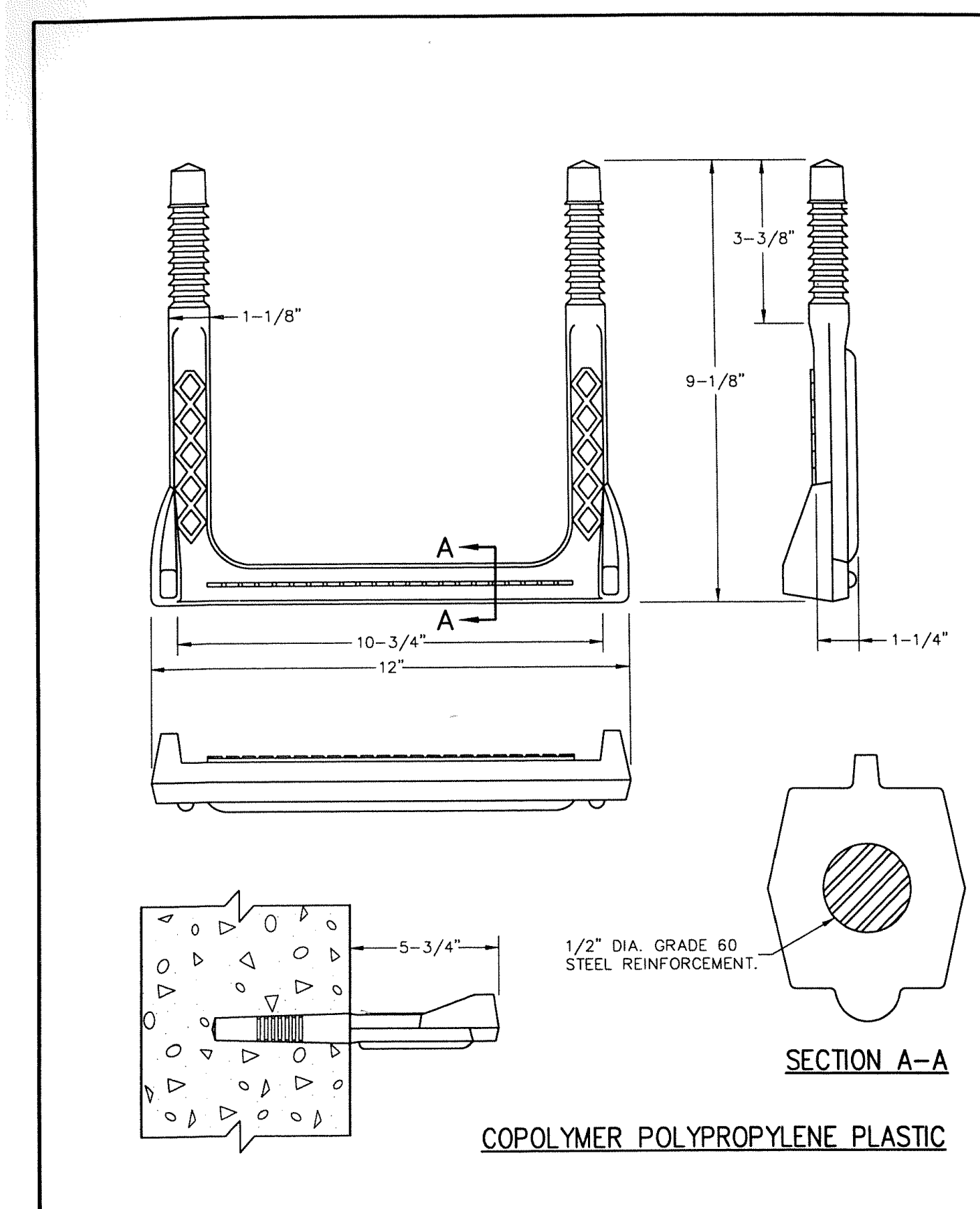
ESS&S PROJECT NO. 15511

PIPE DIA.	MIN. TRENCH WIDTH
≤ 6"	PIPE DIA. + 18"
8"-10"	PIPE DIA. + 10"
12"-36"	PIPE DIA. + 12"

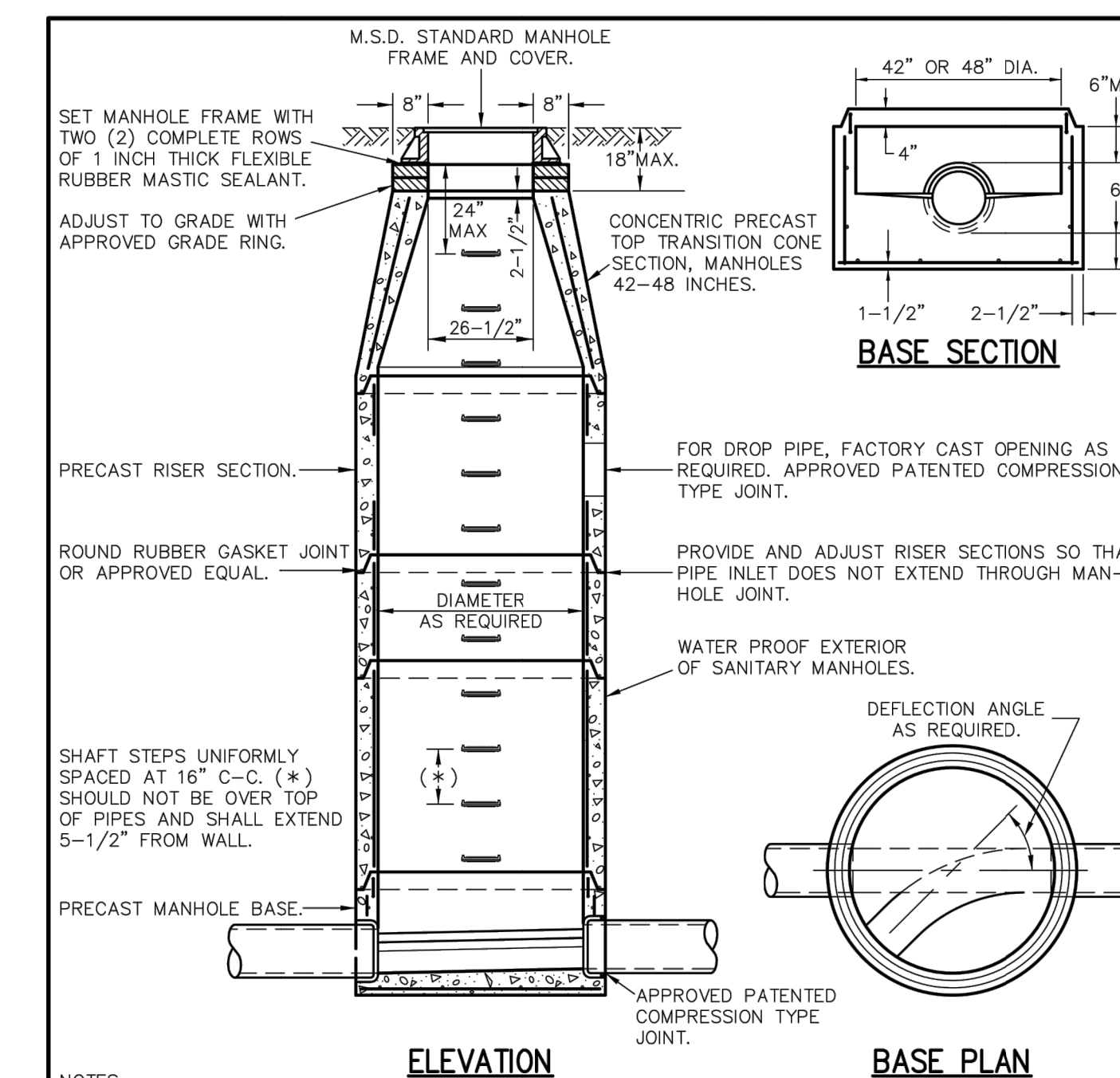


**EMBEDMENT OF PVC SANITARY SEWER PIPE**

NOT TO SCALE



MANHOLE STEP FOR PRECAST & CAST-IN-PLACE MANHOLE		METROPOLITAN ST. LOUIS SEWER DISTRICT <i>Standard Details of Sewer Construction</i>	
Dr. D.A.B.	2000	Ch. J.C.K.	SHEET 58



- NOTES:
- 1) THE MINIMUM INSIDE DIAMETER FOR THE BASE AND RISER SECTIONS SHALL BE 42 INCHES FOR 8 INCH DIAMETER SANITARY SEWERS AND ALL STORM SEWERS. THE MINIMUM INSIDE DIAMETER FOR SANITARY SEWERS LARGER THAN 8 INCH DIAMETER IS 48 INCHES. MANHOLE SHALL MEET ASTM C-478 REQUIREMENTS.
  - 2) FLOWLINE ELEVATION OF INCOMING PIPES SHALL BE 1 INCH HIGHER THAN THAT OF OUTGOING PIPE.
  - 3) PIPE SIZES LARGER THAN 24 INCH DIAMETER MAY REQUIRE MANHOLE DIAMETERS OF 60 INCH, 72 INCH OR 96 INCH AS DETERMINED BY OUTSIDE DIAMETERS AND ORIENTATIONS OF CONNECTING PIPES.
  - 4) ECCENTRIC CONES SHALL BE USED ON DIAMETERS 60 INCH AND LARGER. STEPS SHALL EXTEND DOWN VERTICAL WALL OF CONE.
  - 5) PRIOR TO FABRICATION, SHOP DRAWINGS SHALL BE SUBMITTED TO THE DISTRICT FOR APPROVAL OF MANHOLES ON PIPE DIAMETERS LARGER THAN 24 INCH AND ALSO FOR THOSE STRUCTURES WITH A DROP PIPE CONNECTION.

PRECAST CONCRETE MANHOLE		METROPOLITAN ST. LOUIS SEWER DISTRICT <i>Standard Details of Sewer Construction</i>	
Dr. WSH/SAM	2009	Ch. J.C.K.	SHEET 21 (REV)