

**MEADOWOOD ESTATES II, LP**  
**MEADOWOOD ESTATES - PHASE II**  
 LOT 4 - MEADOWOOD ESTATES SUBDIVISION  
 O'FALLON, ST. CHARLES COUNTY, MISSOURI

1/6/2023  
  
 Kelly A. Lohsandt  
 PROFESSIONAL ENGINEER

KELLY A. LOHSANDT  
 PROFESSIONAL ENGINEER  
 PE-2021032813

IF ORIGINAL SIGNATURE OR DIGITAL AUTHENTICATION IS NOT PRESENT THIS MEDIA SHOULD NOT BE CONSIDERED A CERTIFIED DOCUMENT.

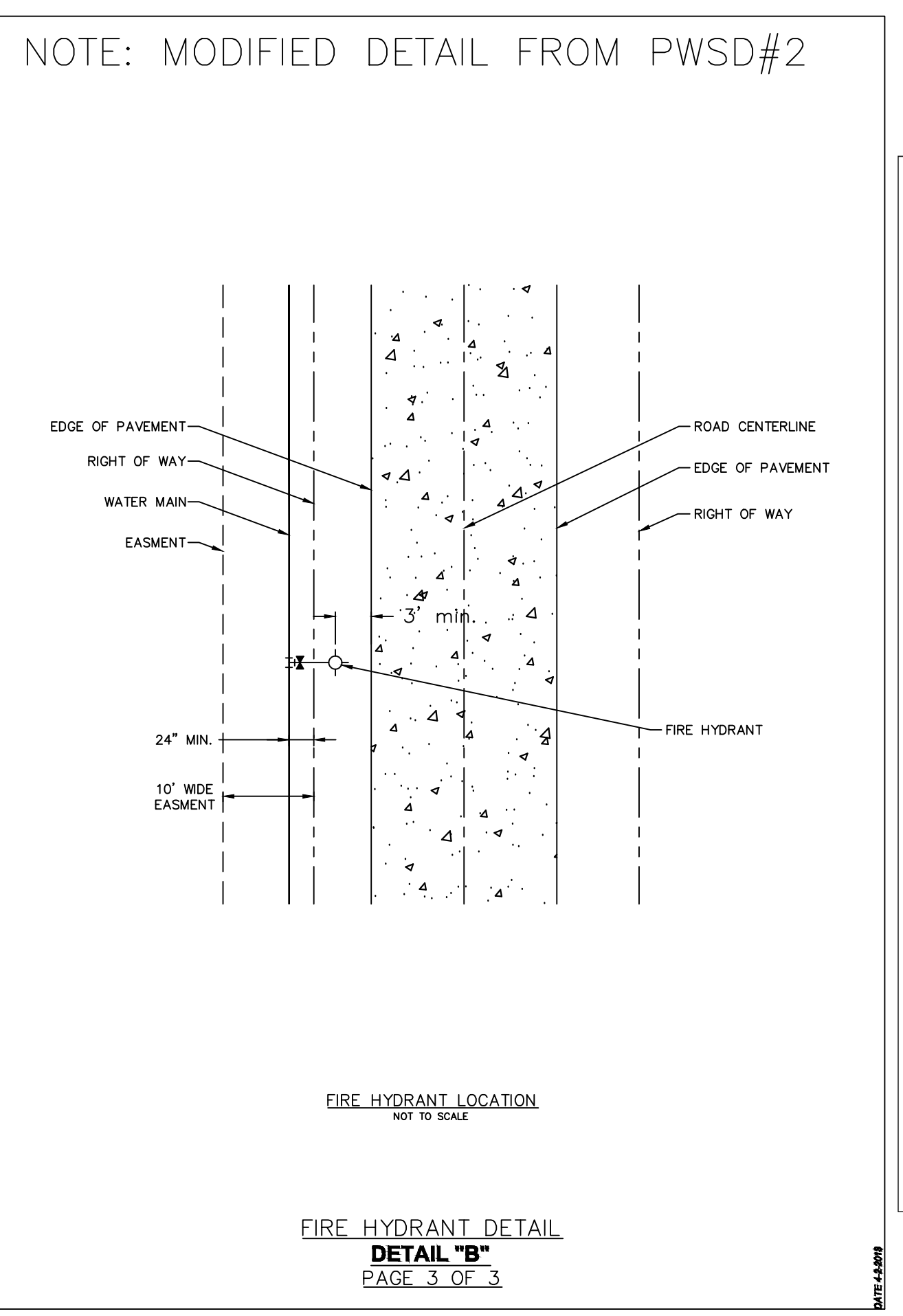
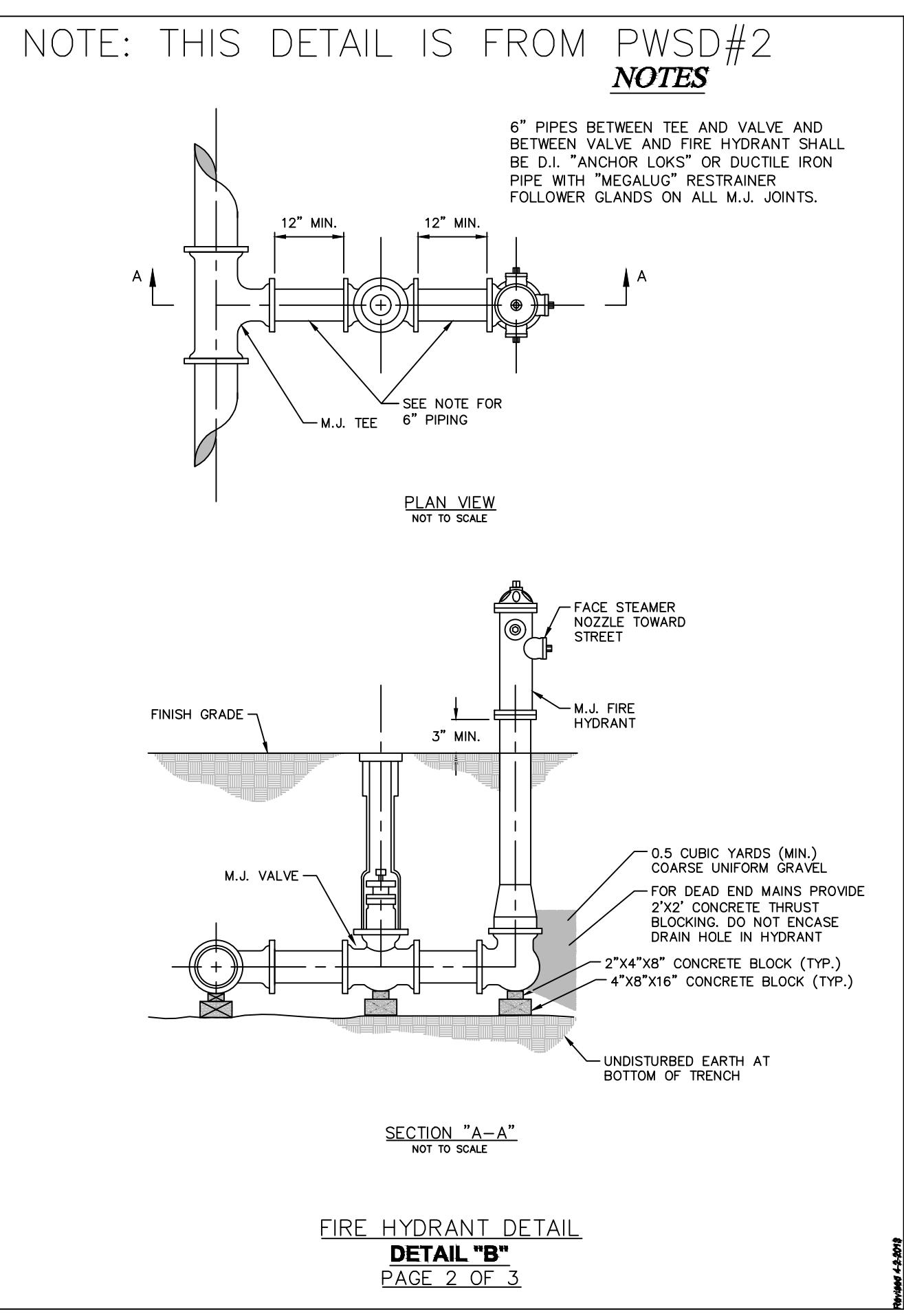
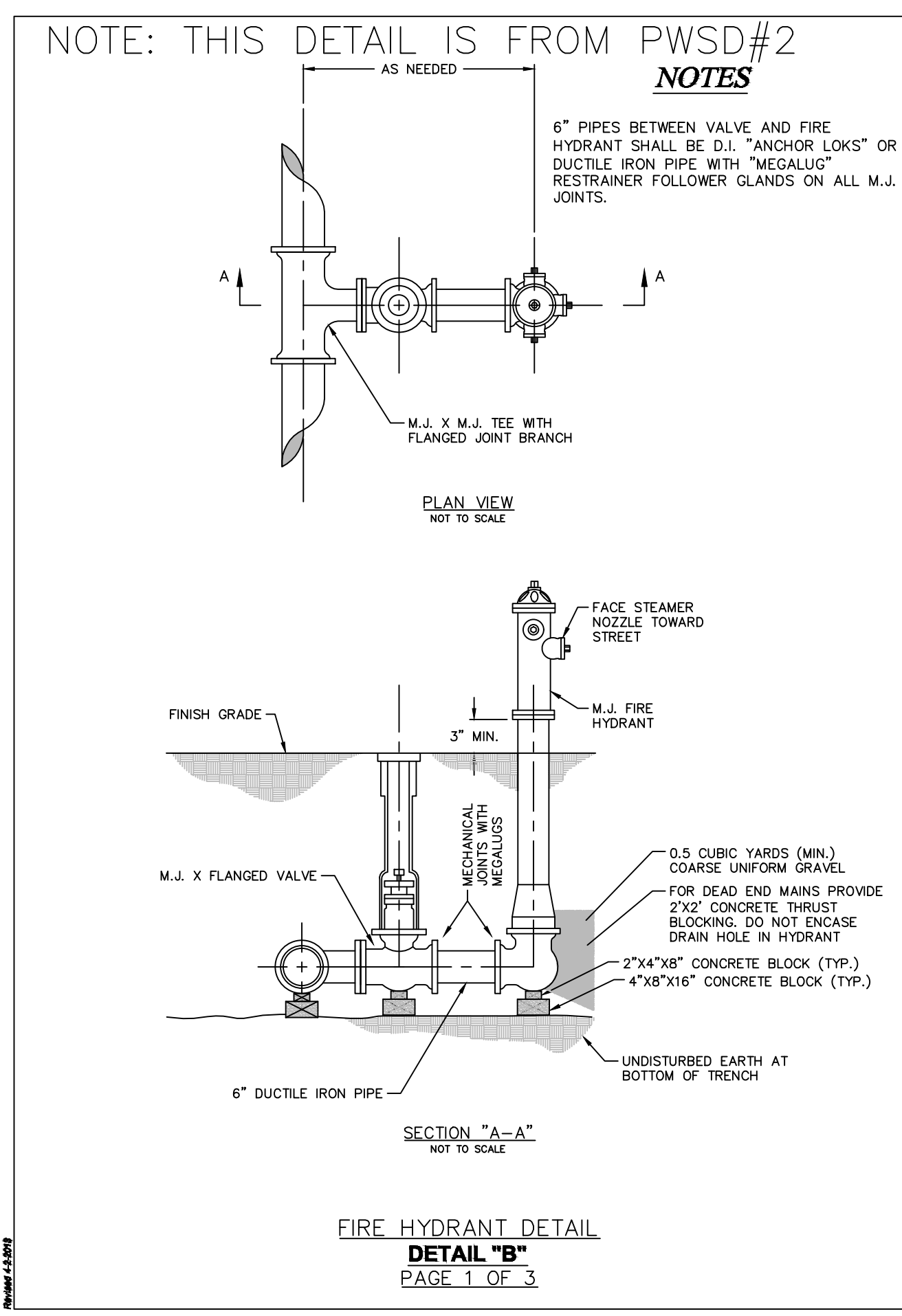
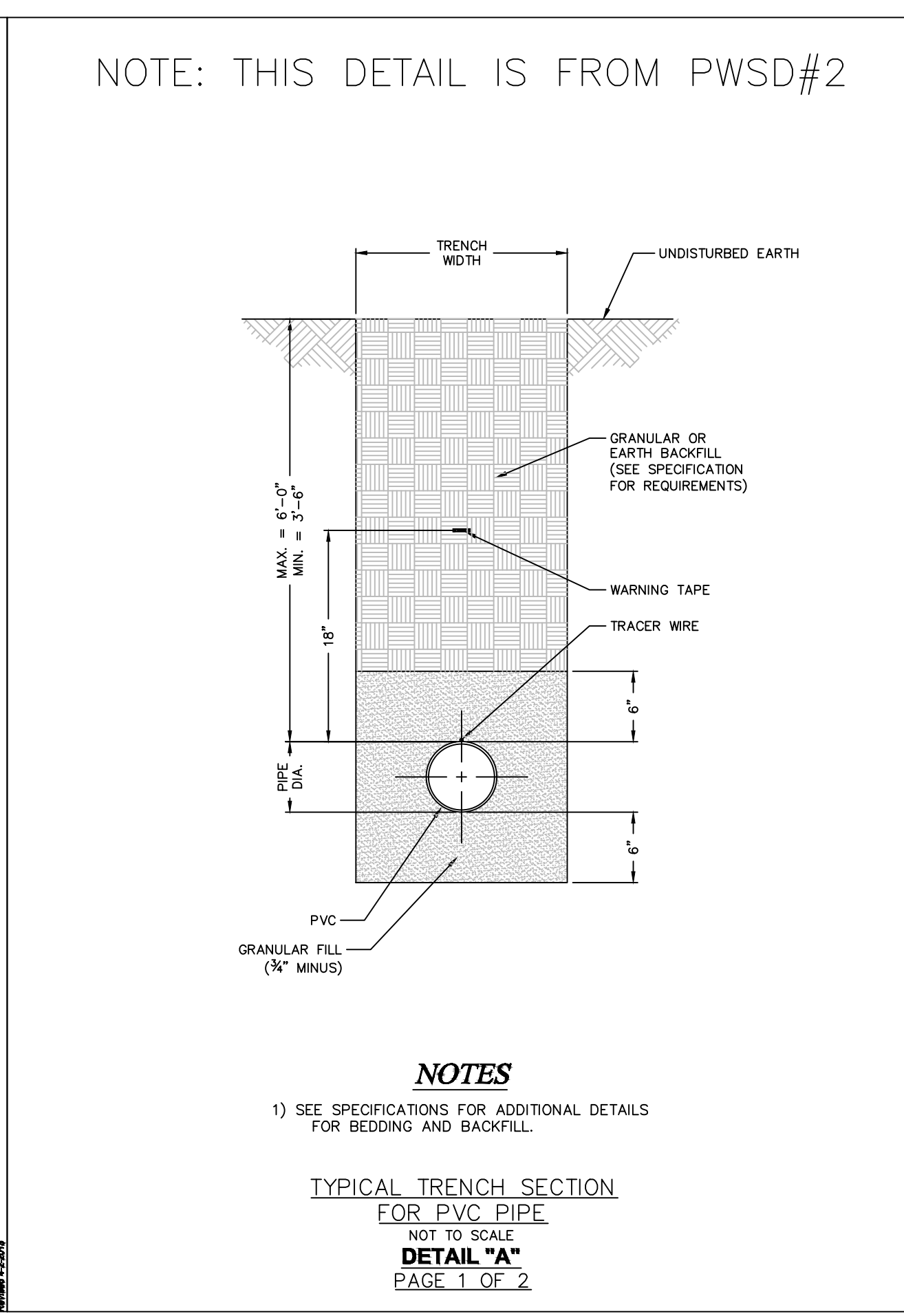
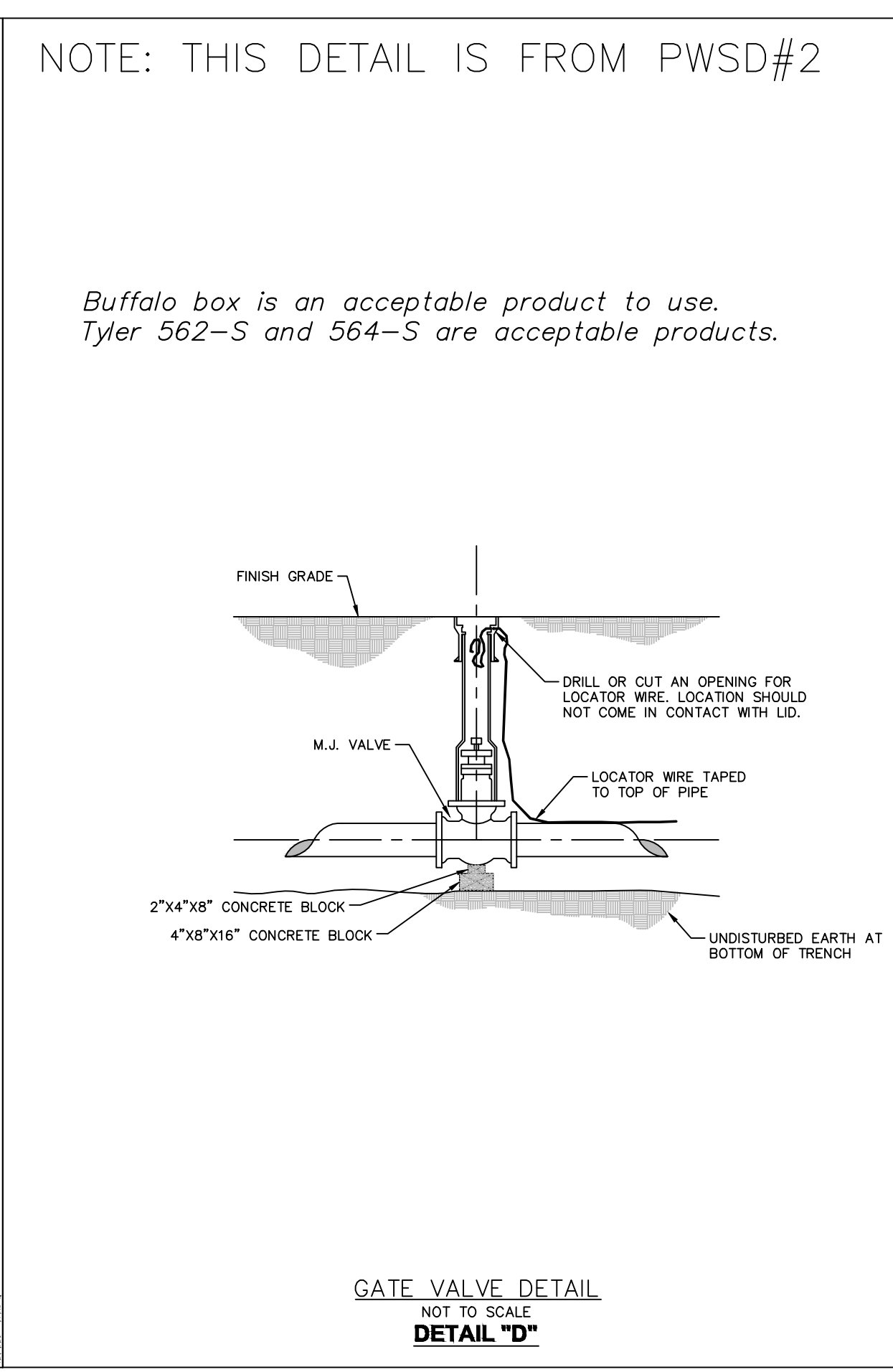
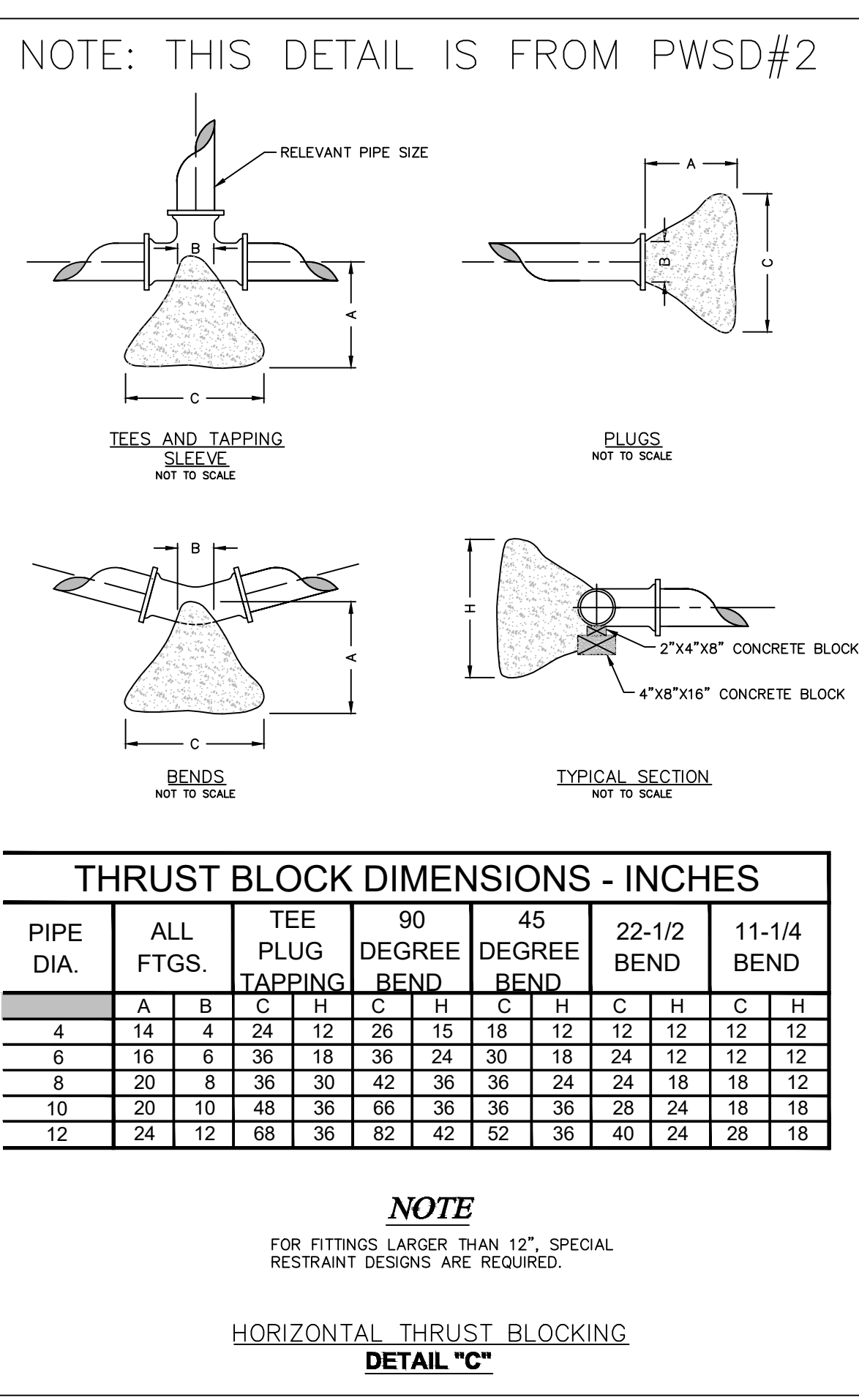
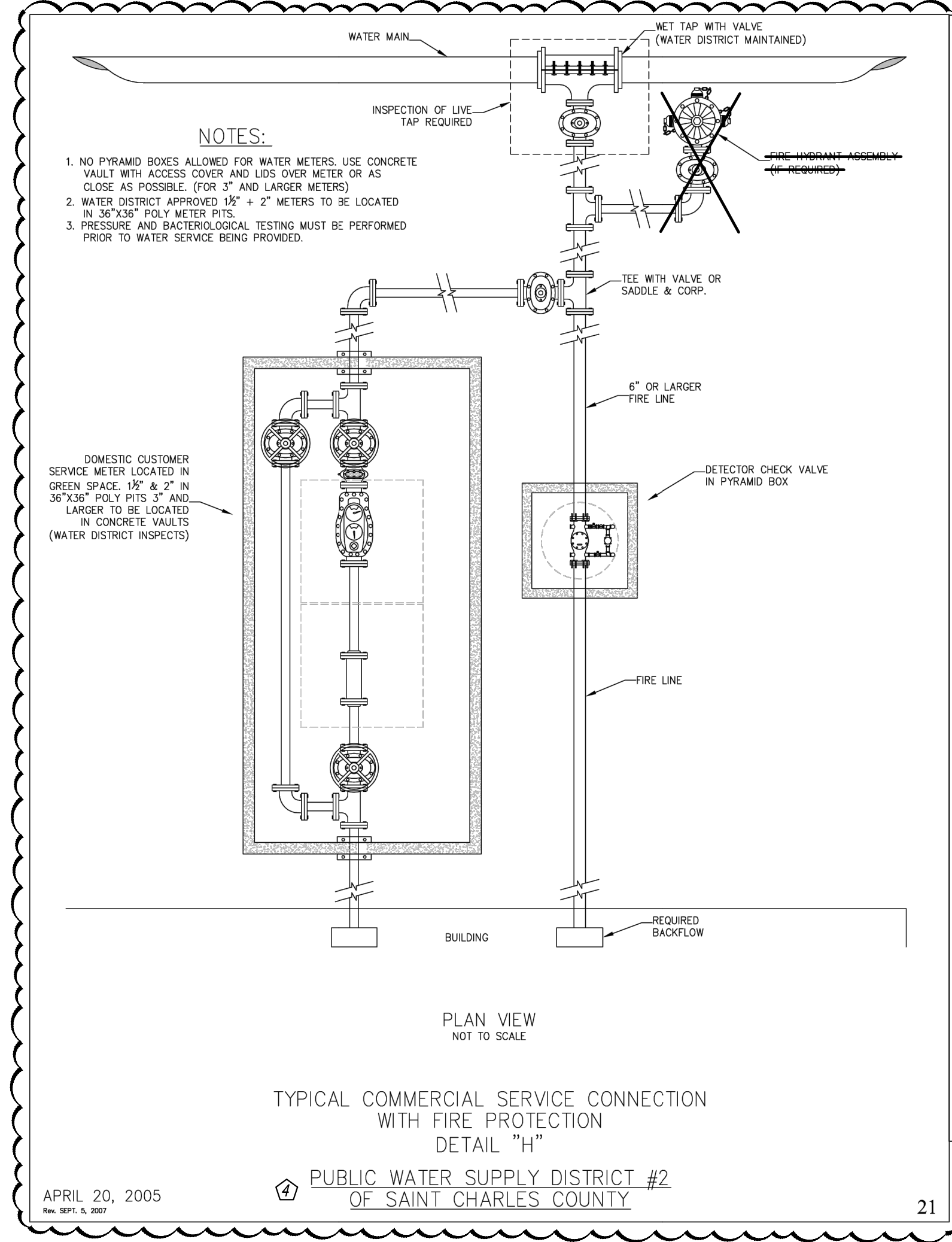
Date  
**JULY 27, 2022**

Revised  
 (4) ESI #1 JAN. 6, 2023

Design: KAL Drawn: BR

WATER DETAILS

Sheet  
**C13.01**



P:\GENERAL PROJECTS\15511-ES-MEADOWOOD-II-STEP\PLAN\CAD\15511 COVER & DETAILS.DWG 1/9/2023