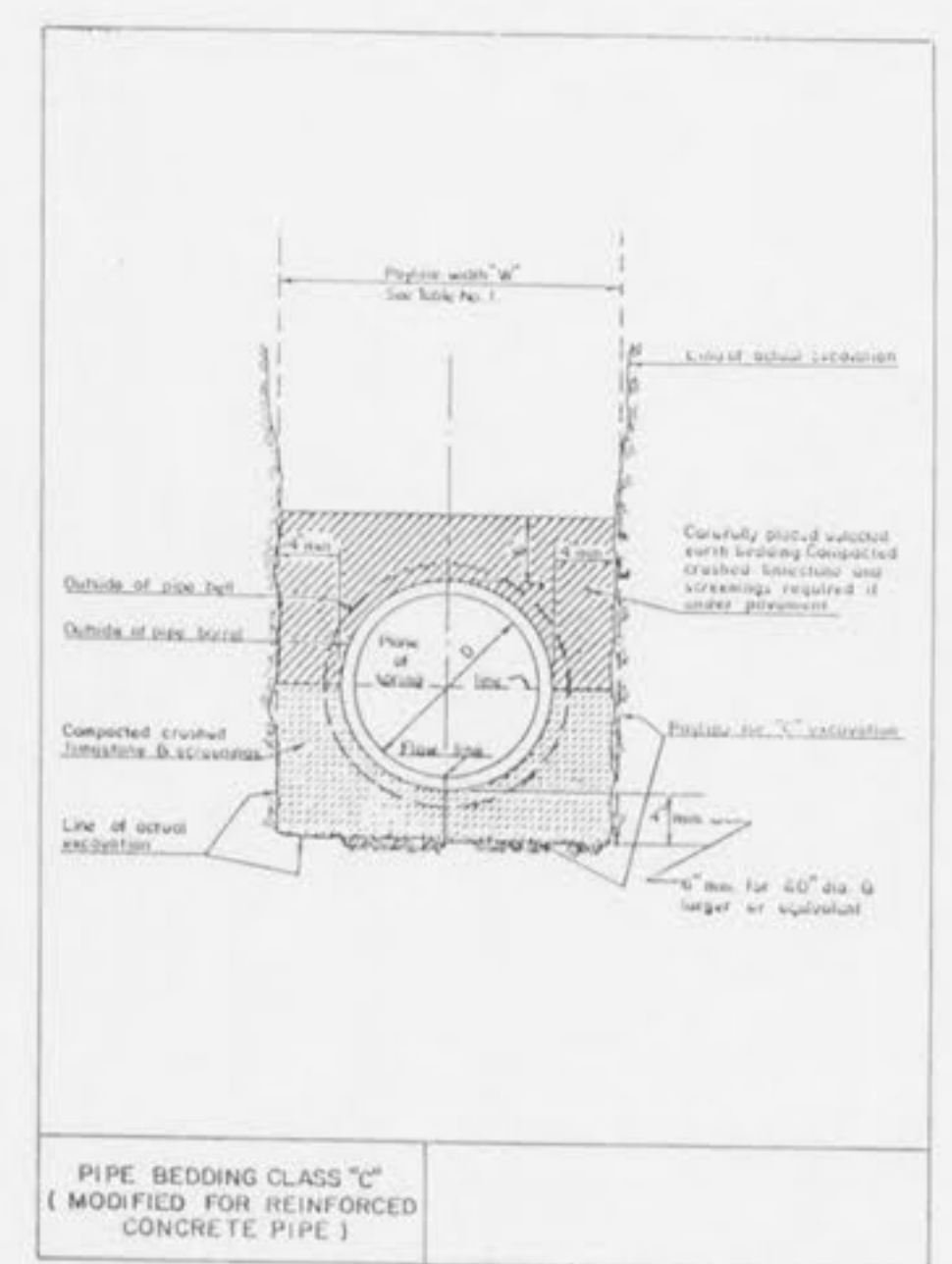
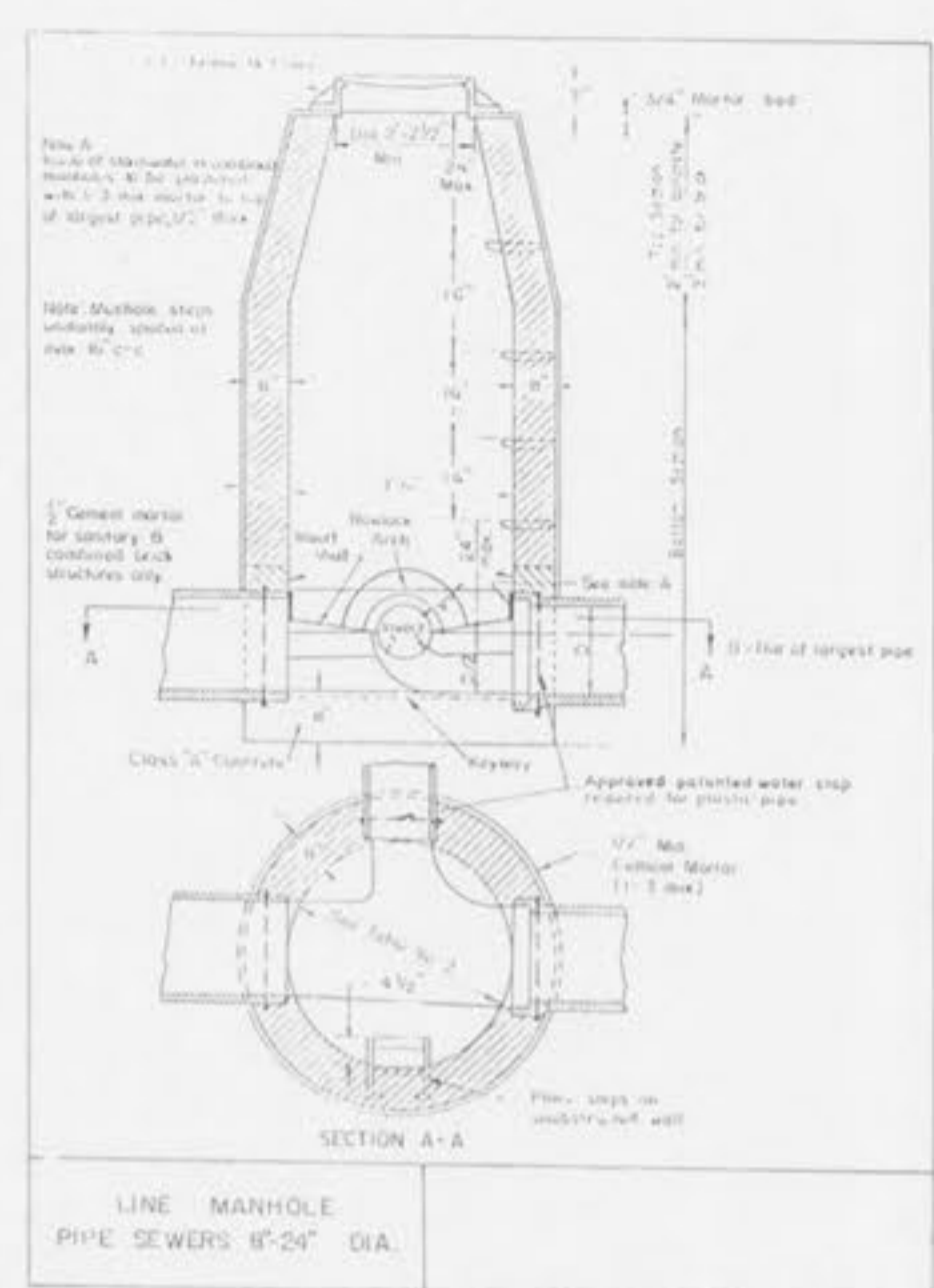


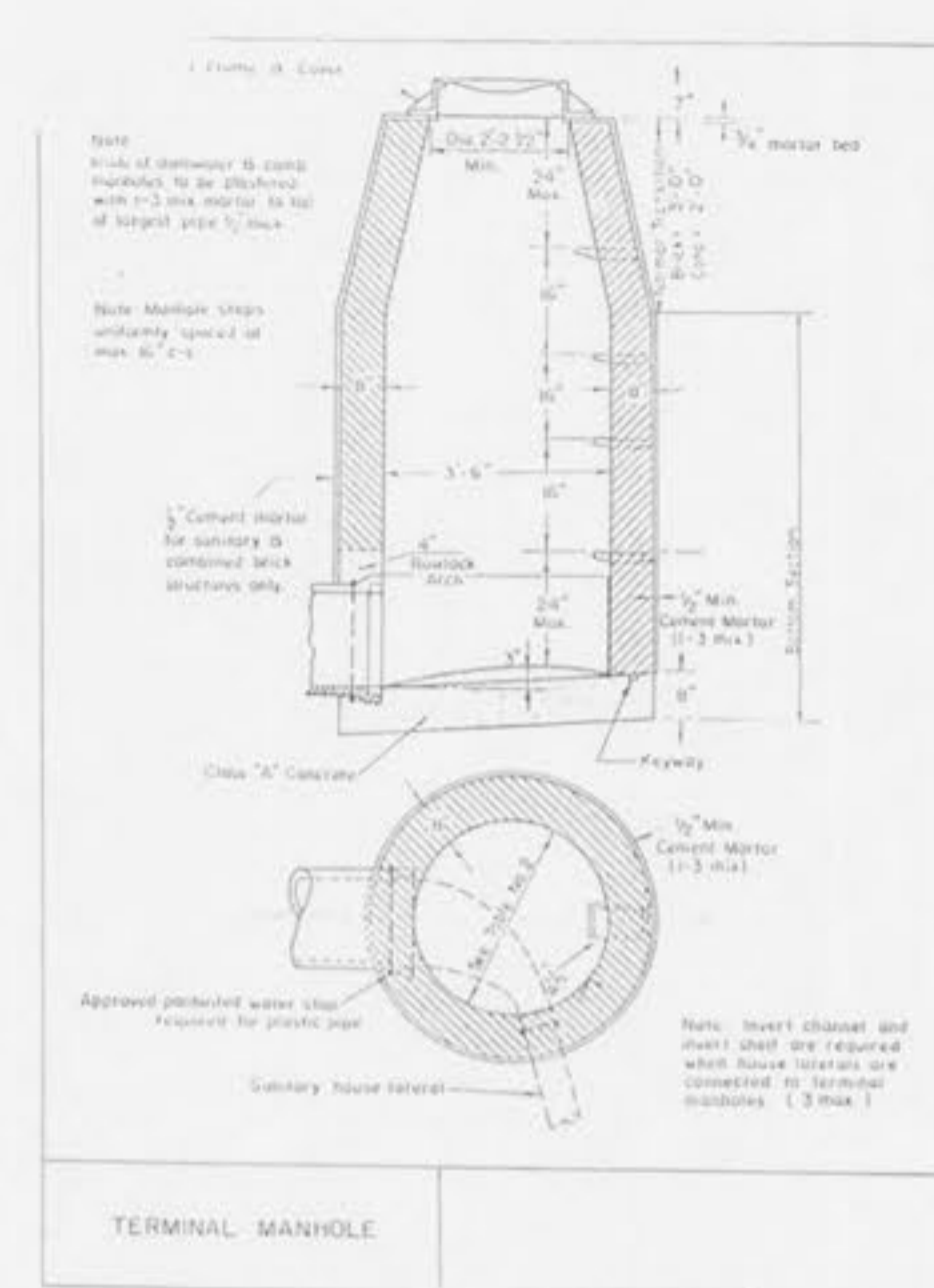
PIPE BEDDING CLASS "B"  
(FOR ALL PIPE EXCEPT  
REINFORCED CONCRETE PIPE)



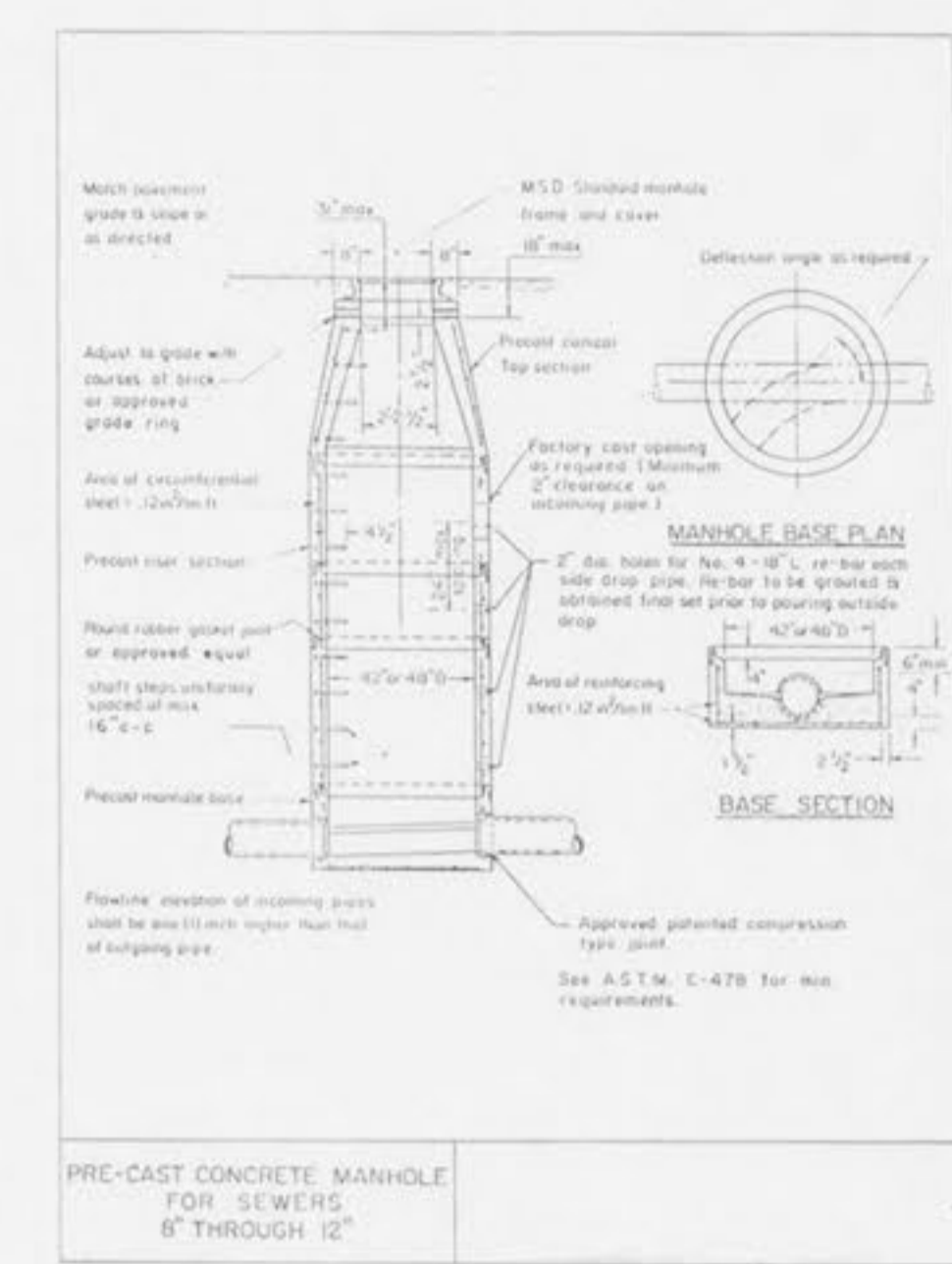
PIPE BEDDING CLASS "C"  
(MODIFIED FOR REINFORCED  
CONCRETE PIPE)



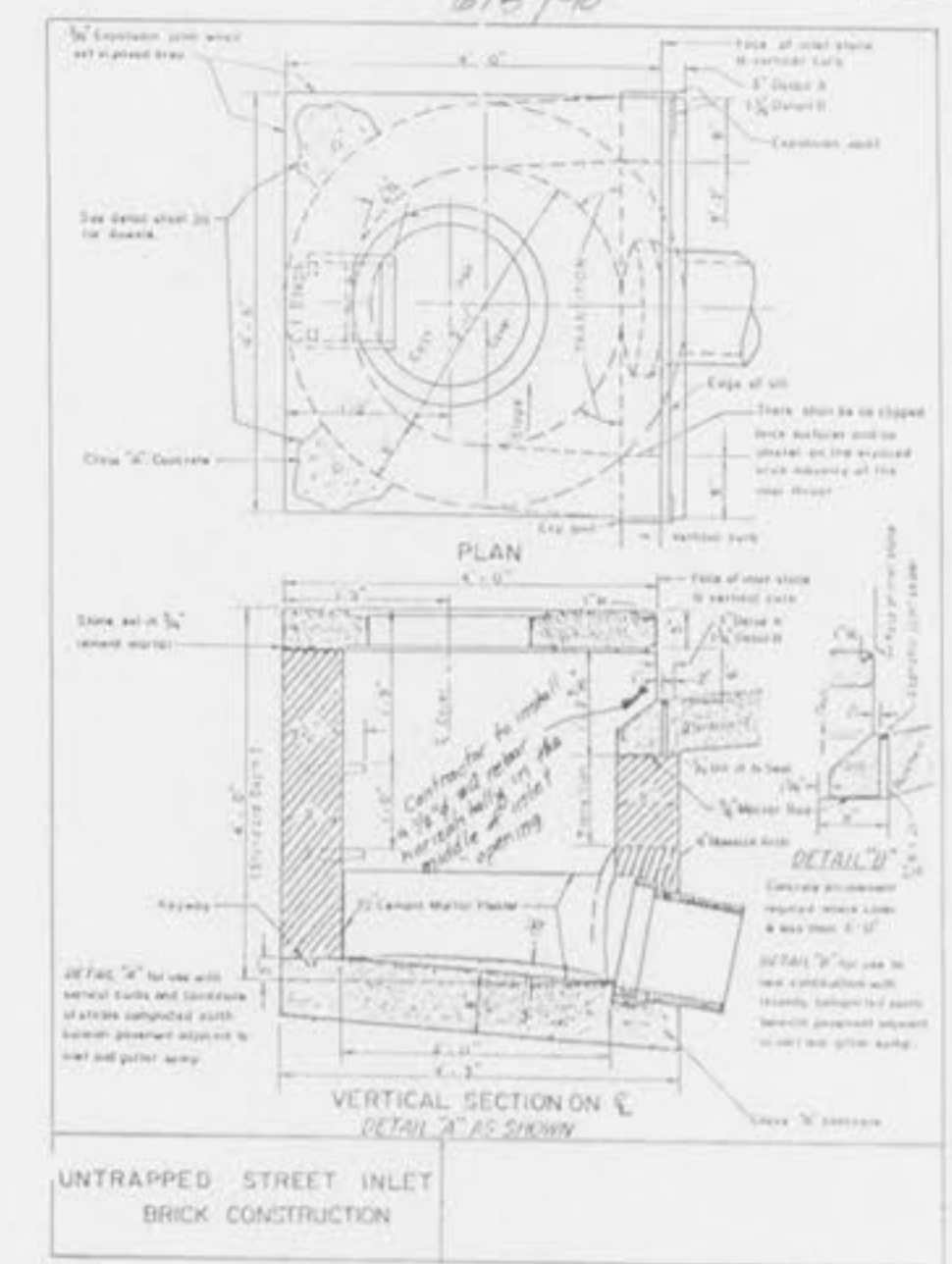
LINE MANHOLE  
PIPE SEWERS 8"-24" DIA.



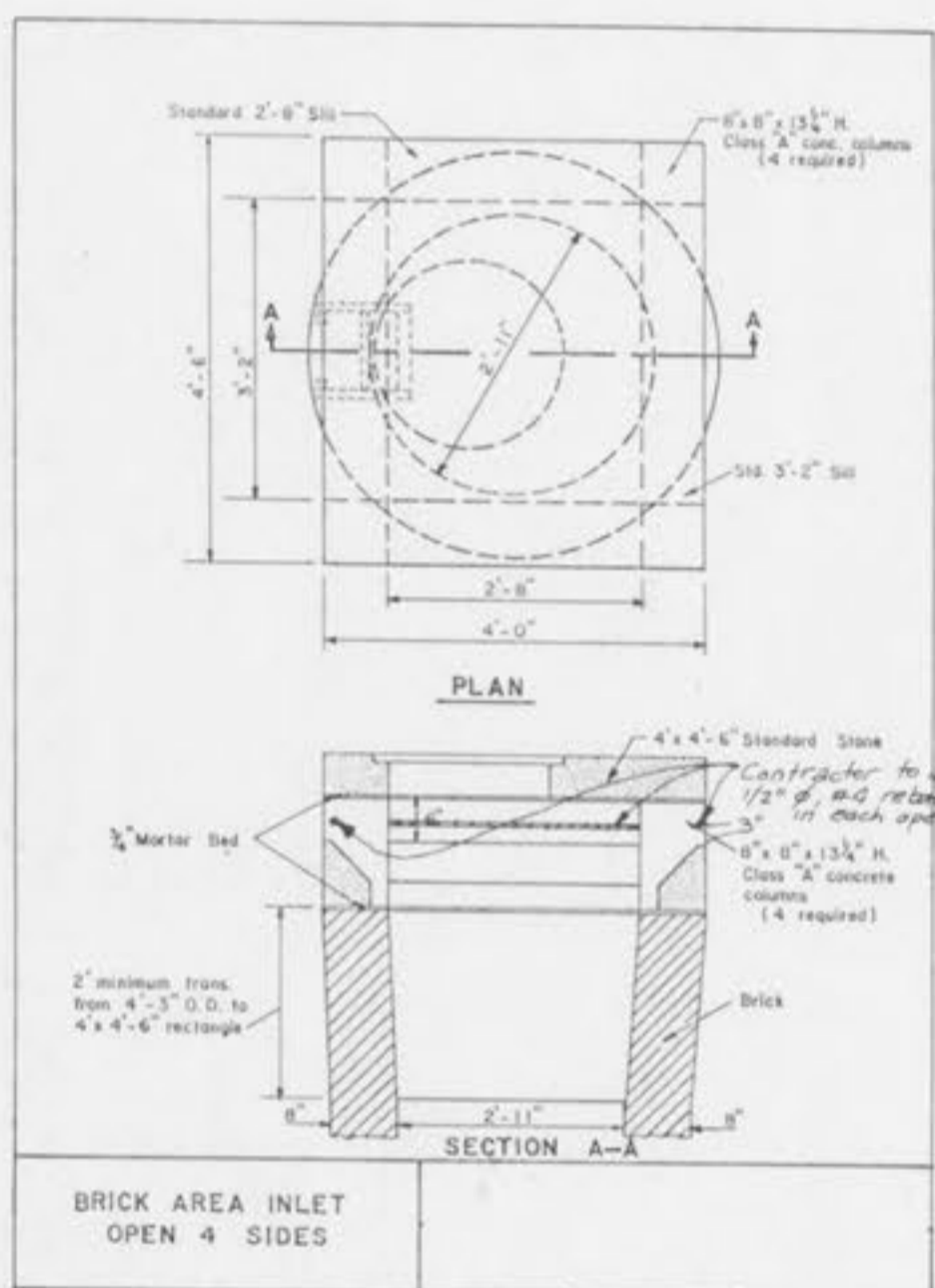
TERMINAL MANHOLE



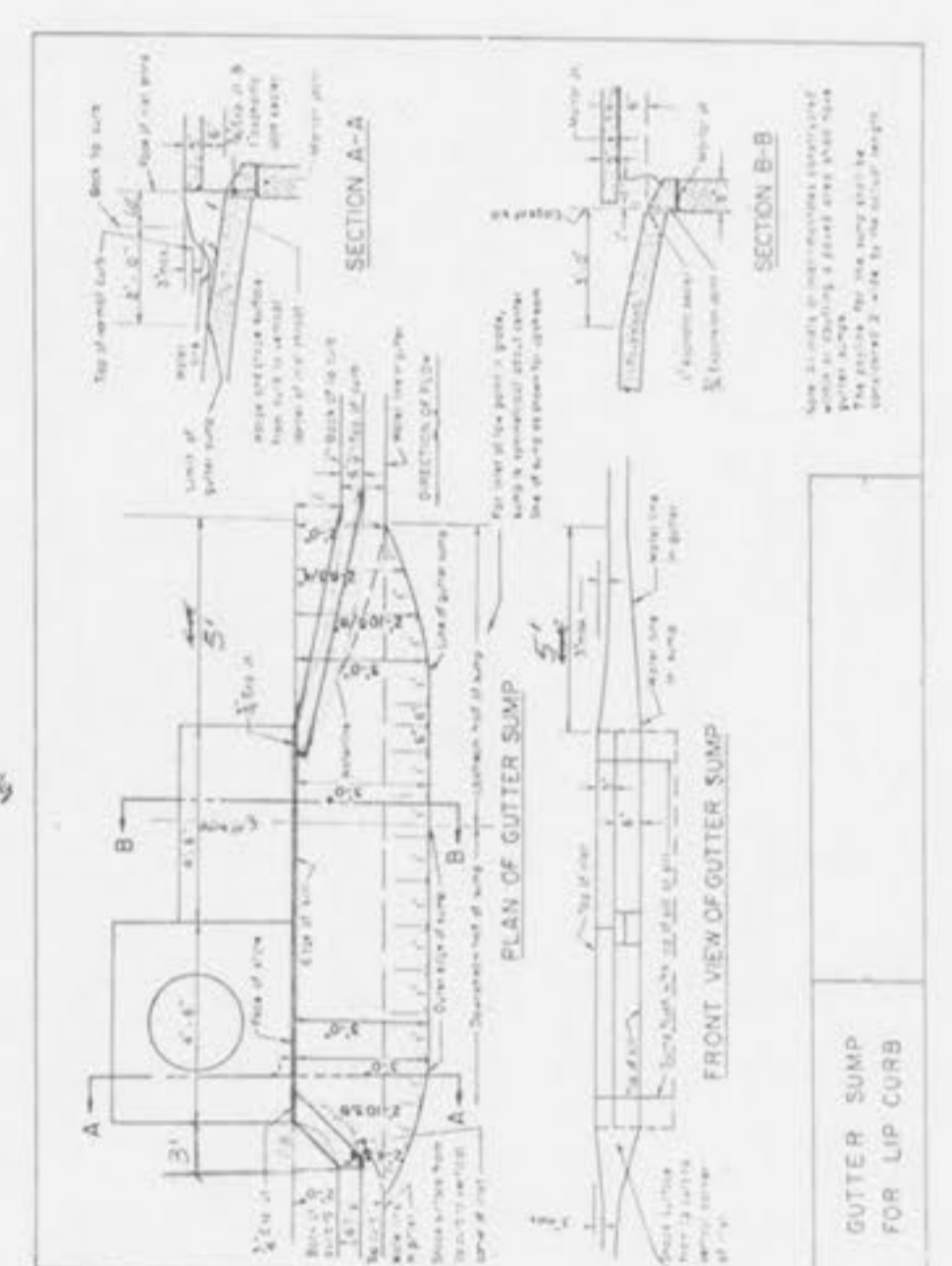
PRE-CAST CONCRETE MANHOLE  
FOR SEWERS  
6" THROUGH 12"



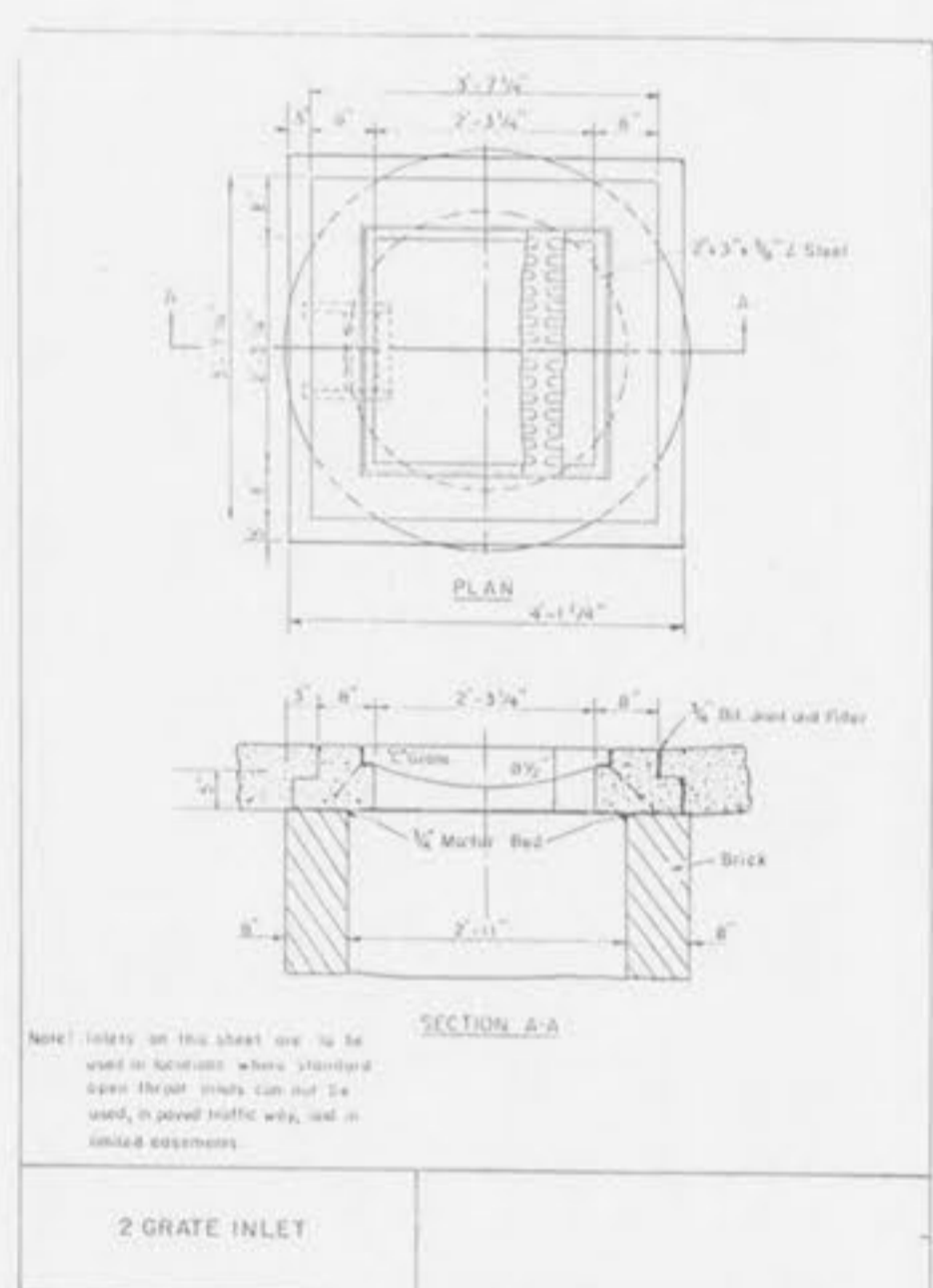
UNTRAPPED STREET INLET  
BRICK CONSTRUCTION



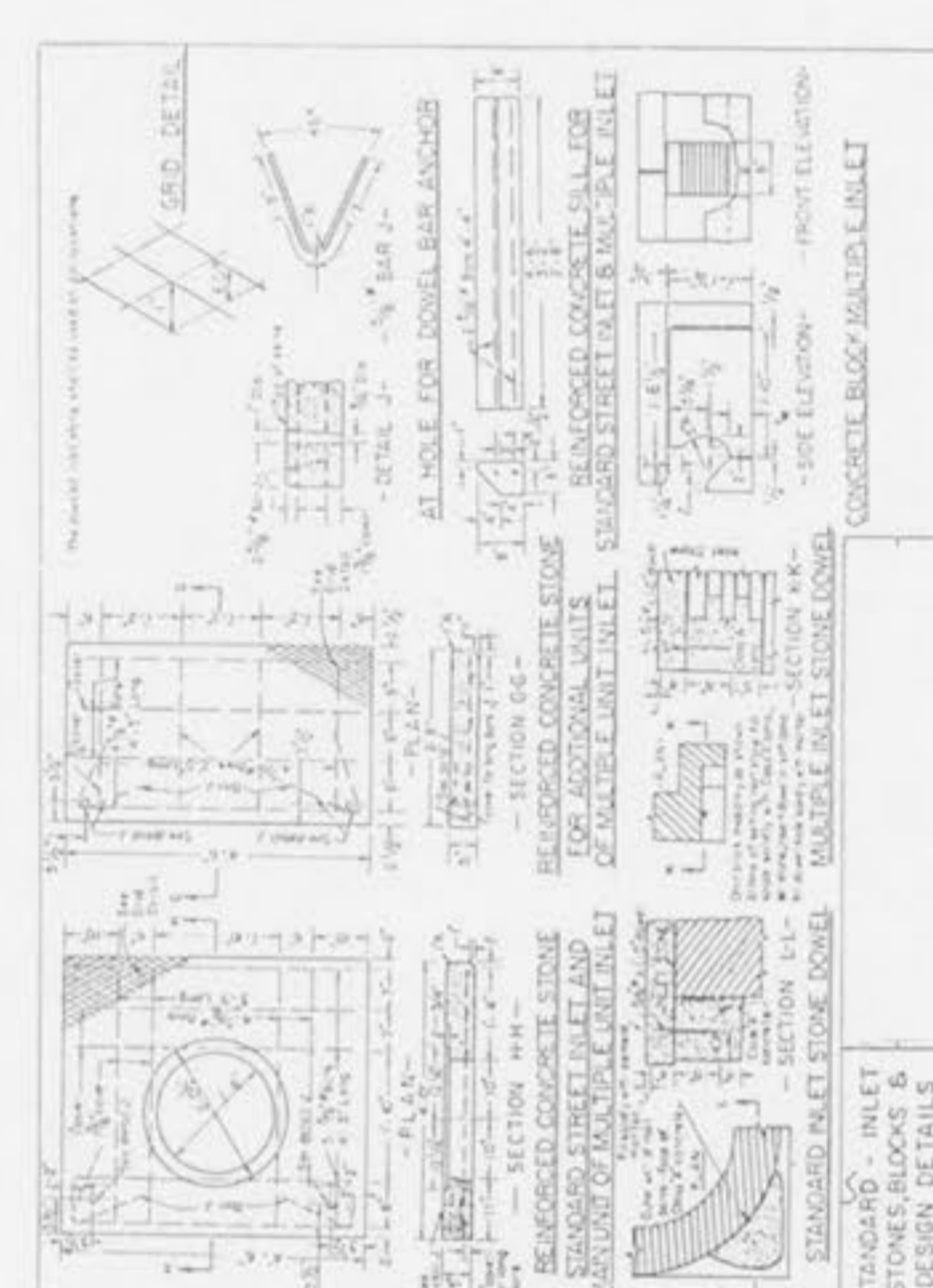
BRICK AREA INLET  
OPEN 4 SIDES



GUTTER SUMP  
FOR LIP CURB



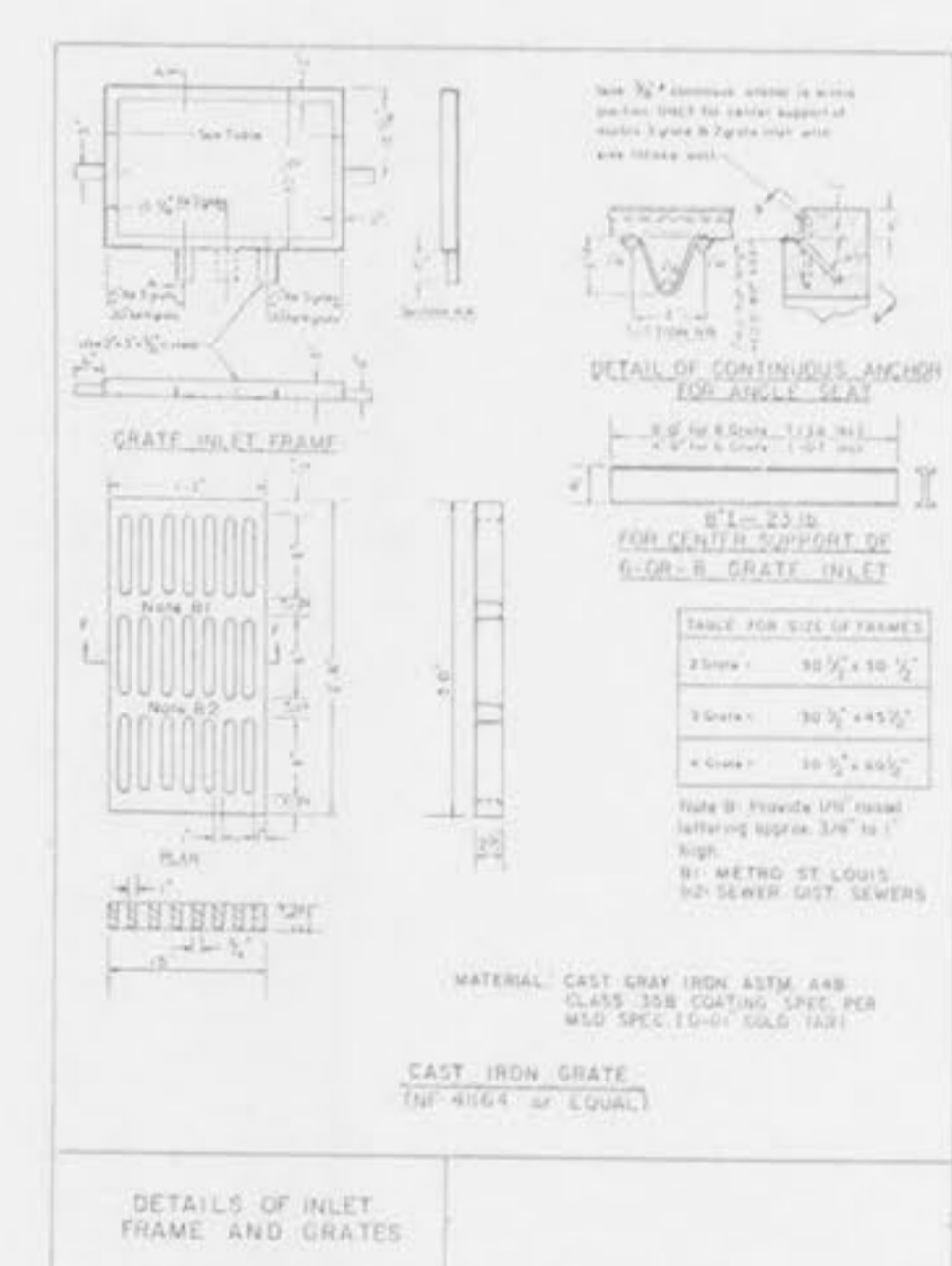
2 GRATE INLET



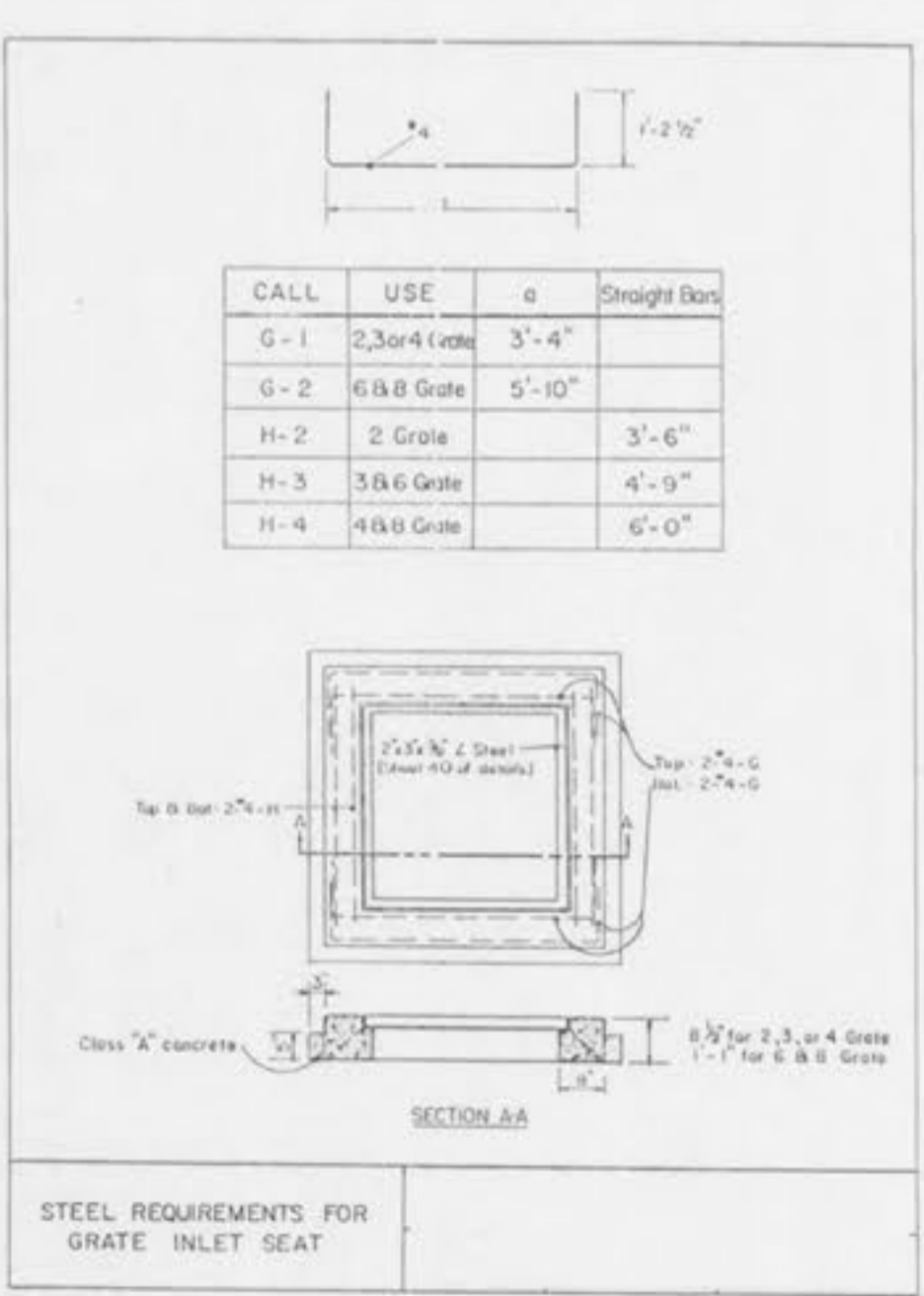
STARGARD - INLET  
STONES, BLOCKS &  
DESIGN DETAILS



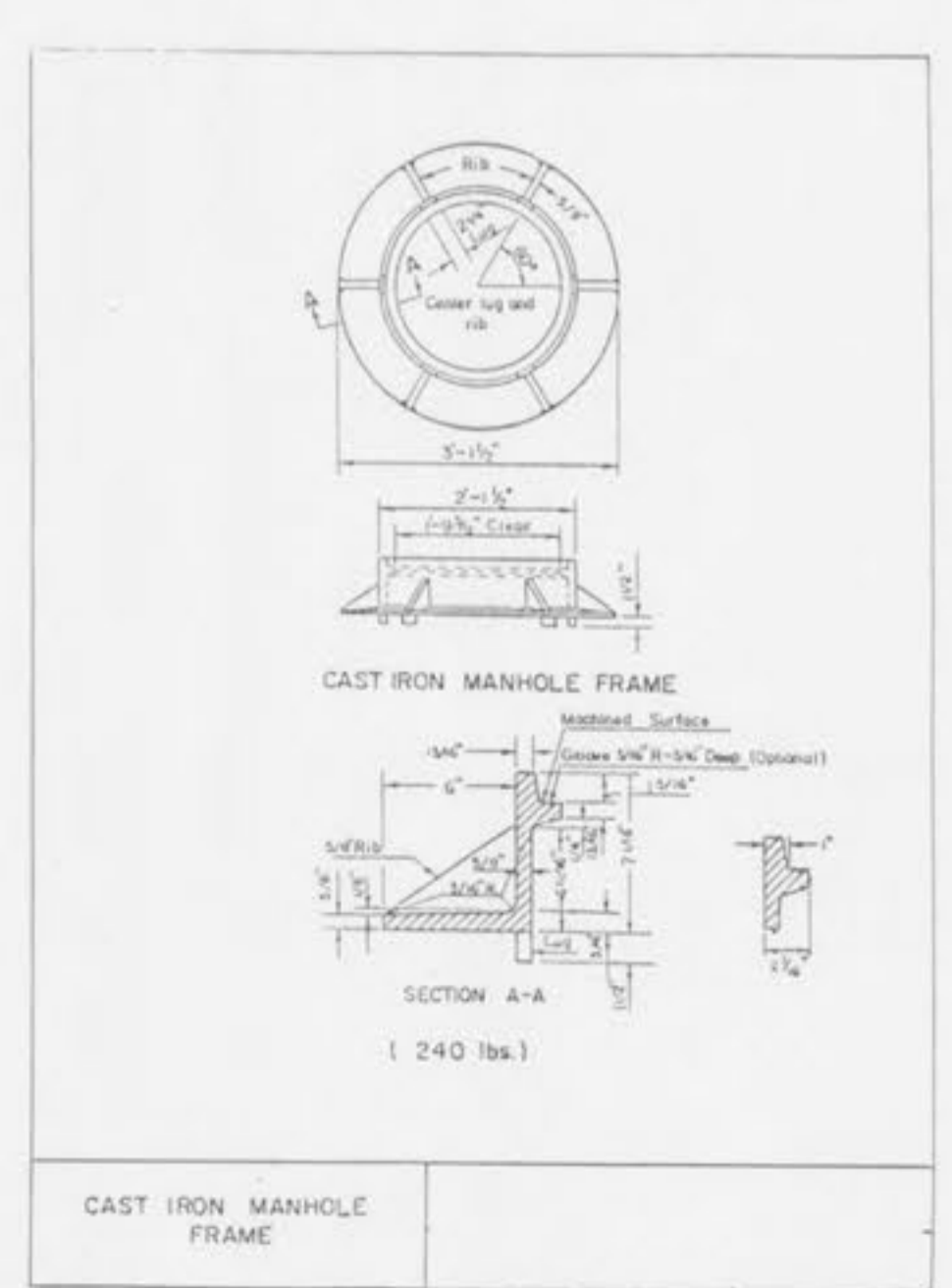
DETAILS OF INLET  
FRAME AND GRATES



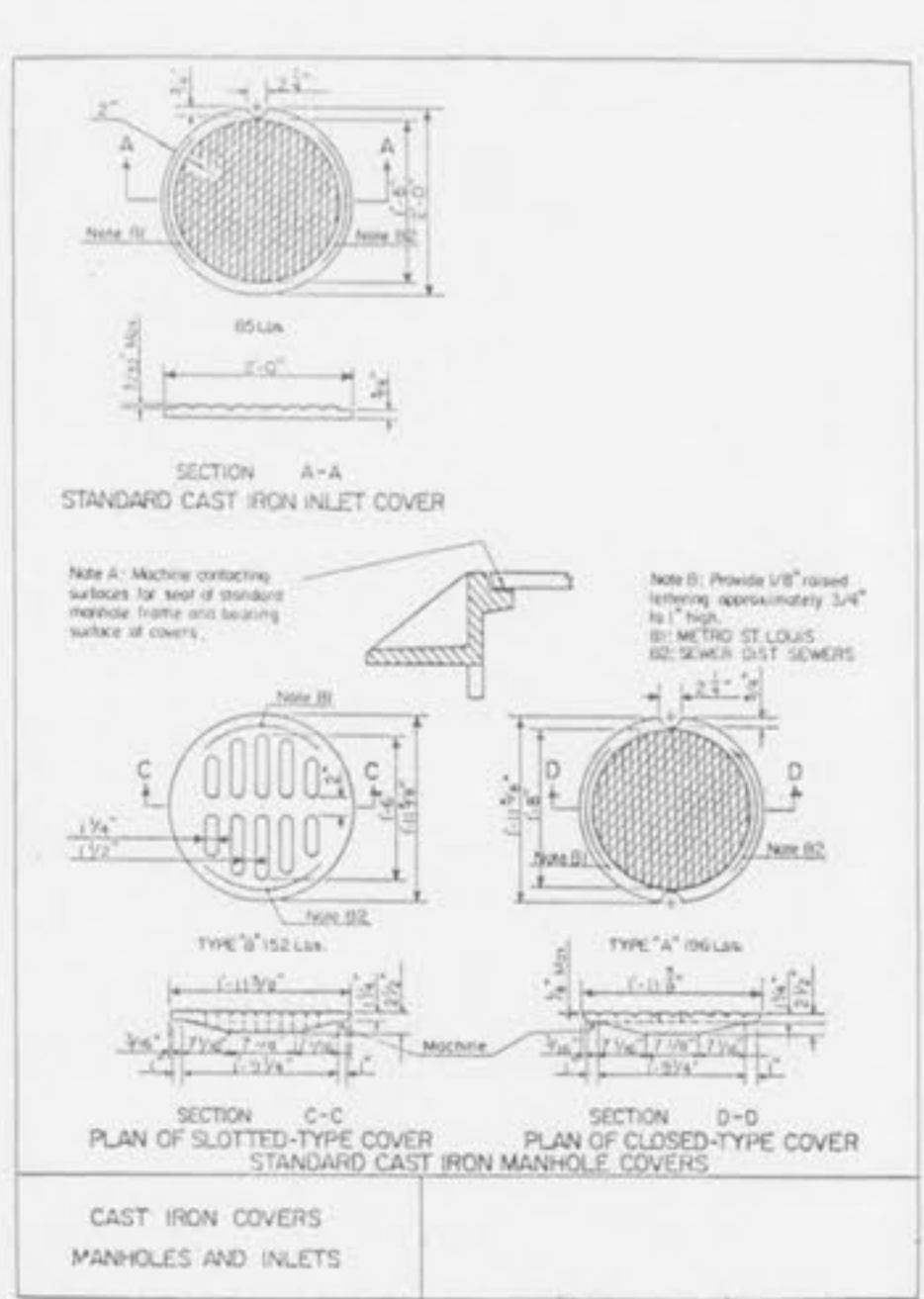
DETAILS OF INLET  
FRAME AND GRATES



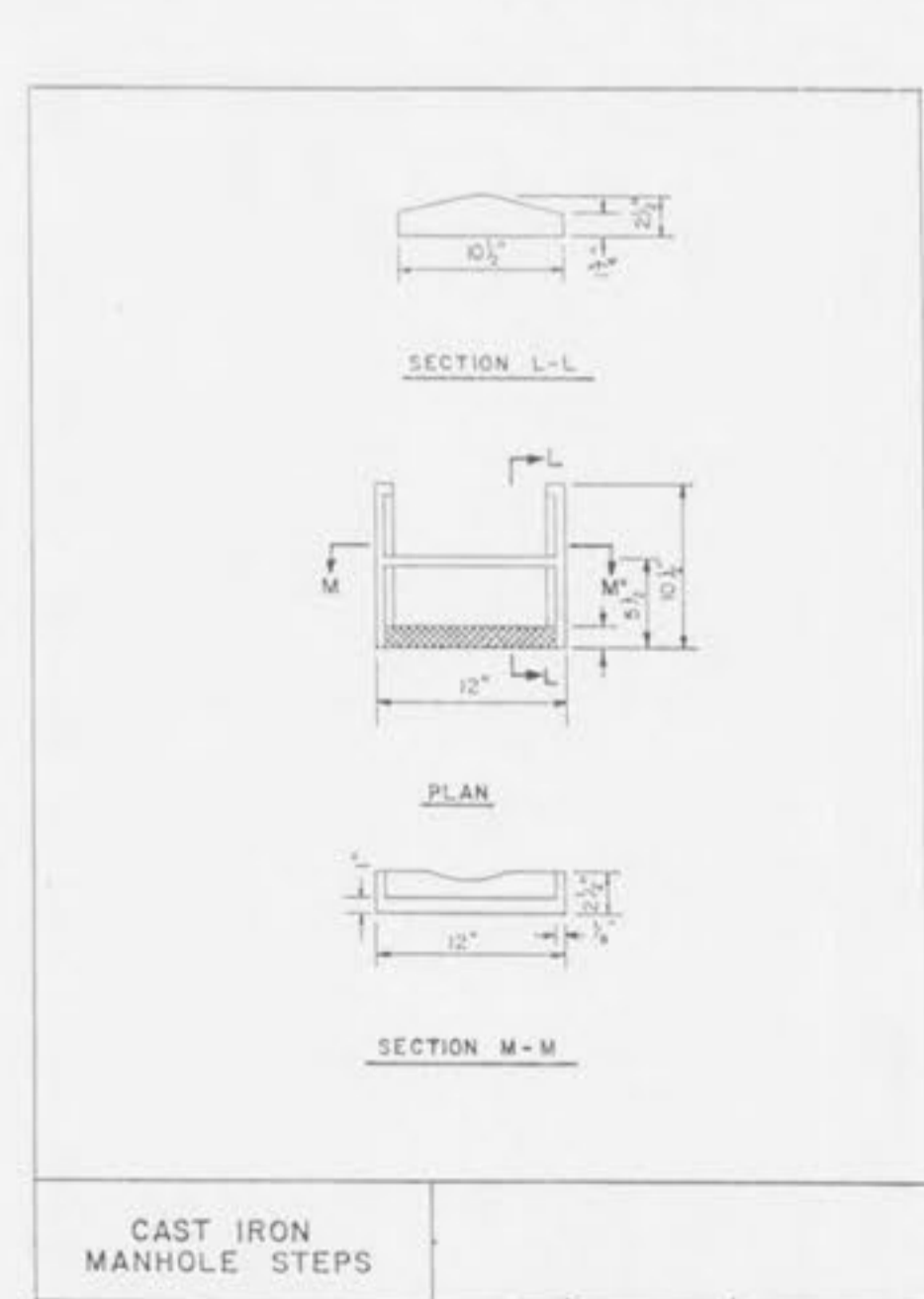
STEEL REQUIREMENTS FOR  
GRATE INLET SEAT



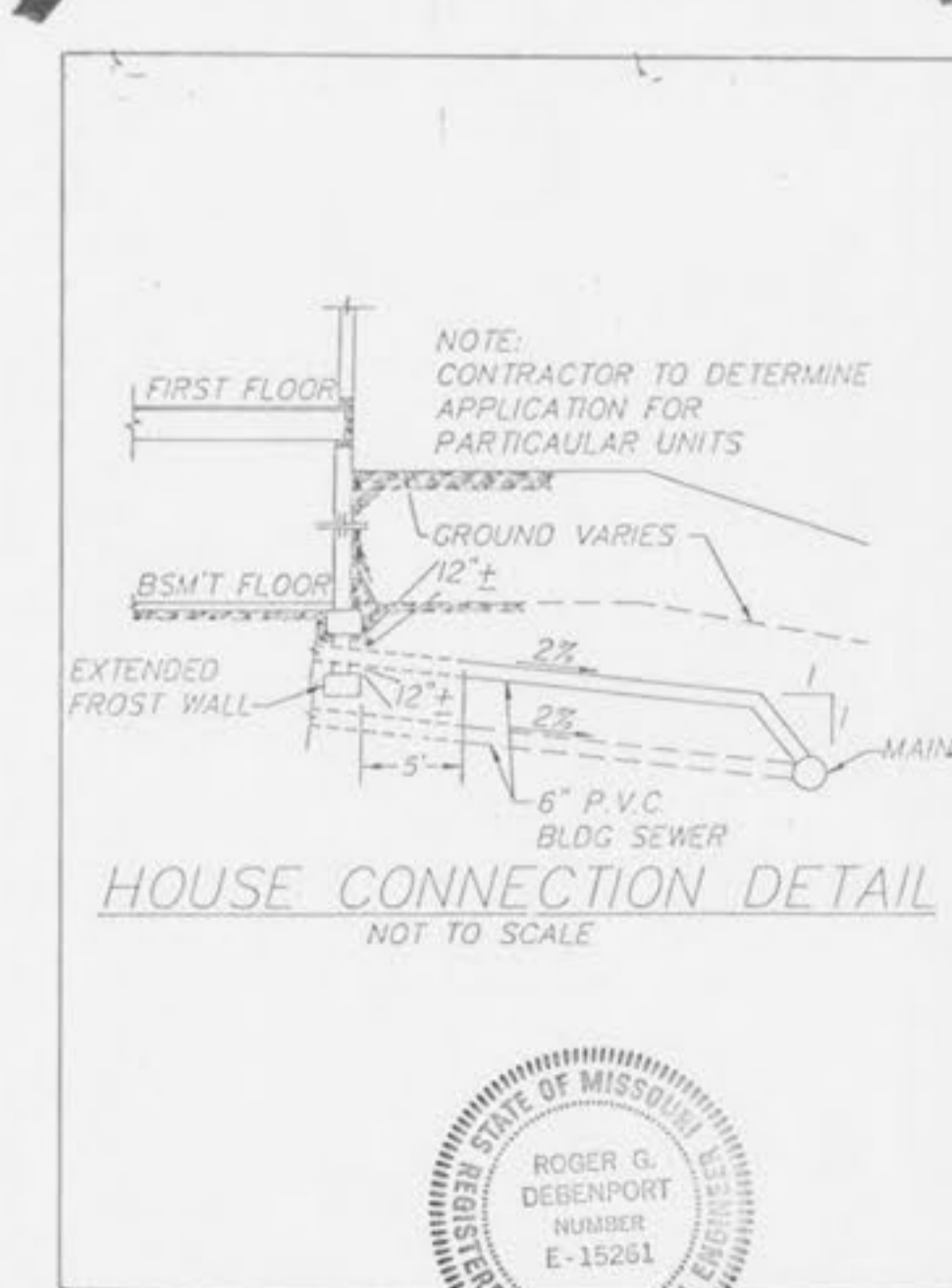
CAST IRON MANHOLE  
FRAME



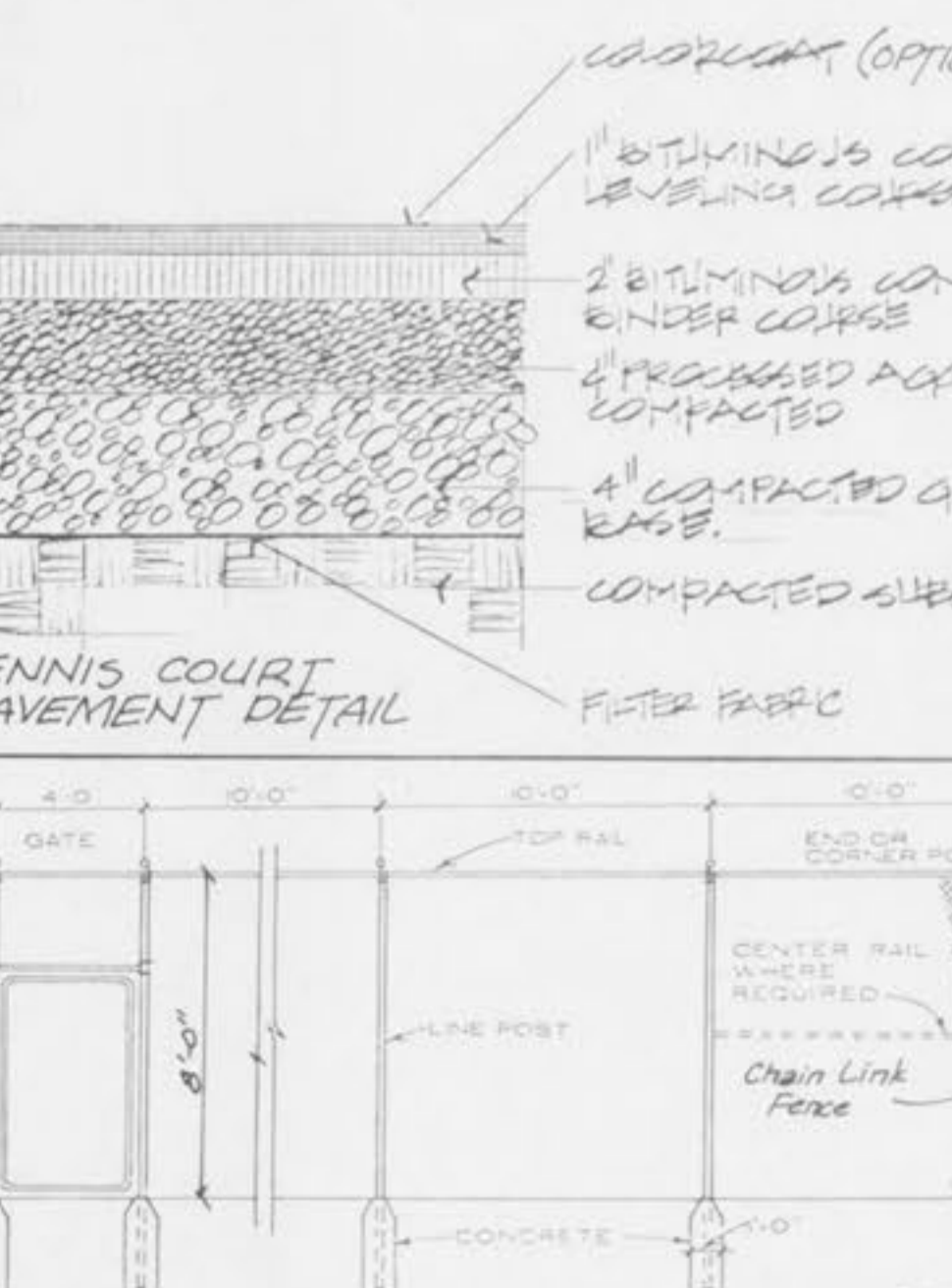
CAST IRON COVERS  
MANHOLES AND INLETS



CAST IRON  
MANHOLE STEPS



HOUSE CONNECTION DETAIL  
NOT TO SCALE



ELEVATION OF ENCLOSURE  
TENNIS COURT  
FENCE DETAIL

