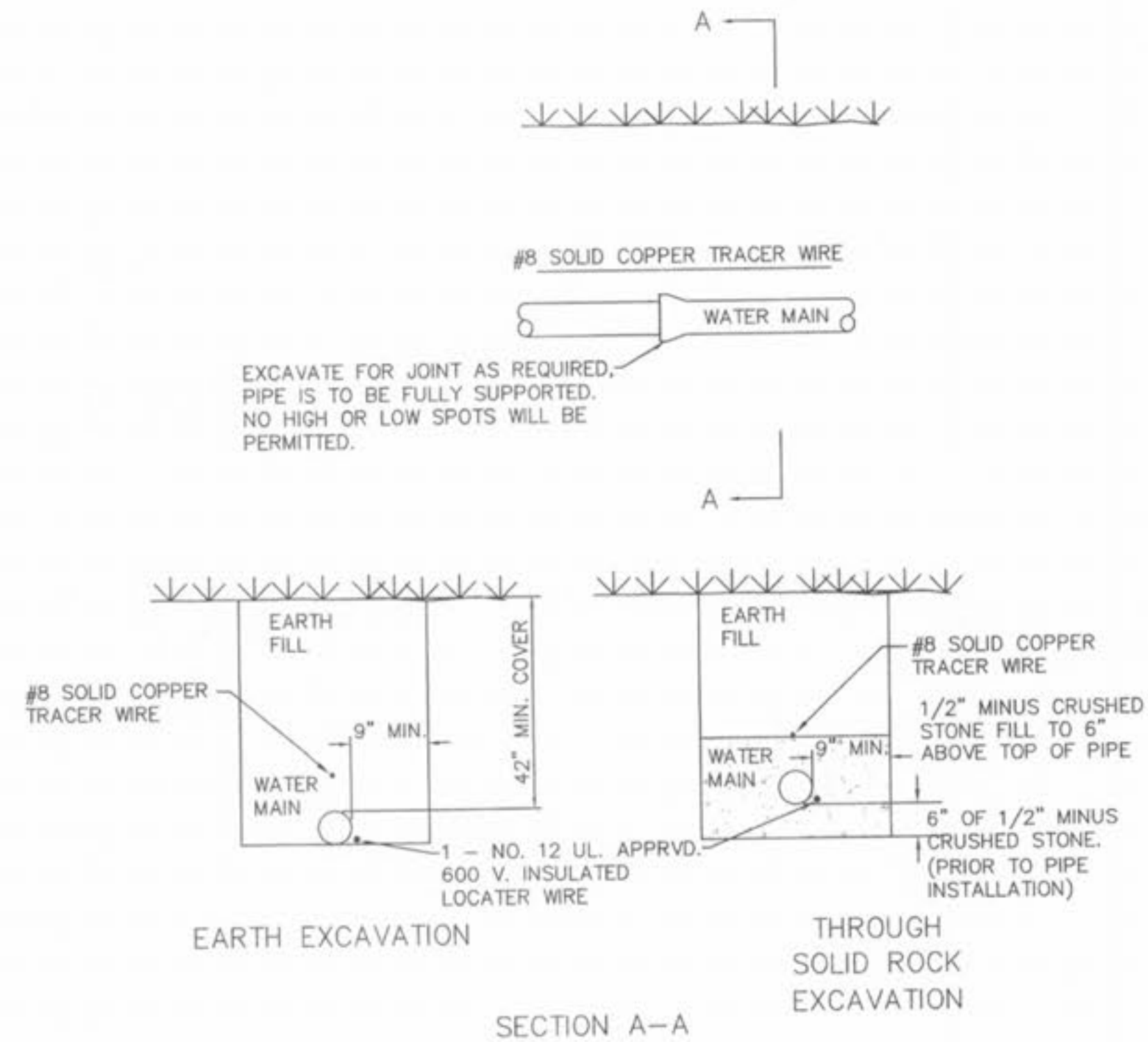


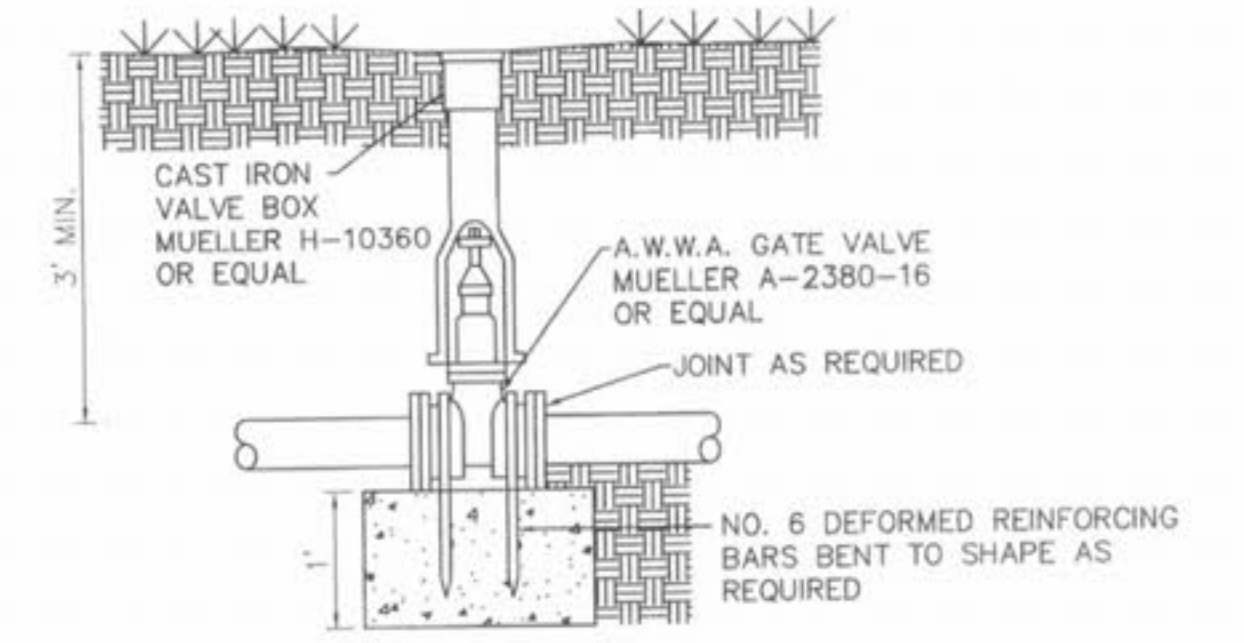
CONFIGURATION

50' RIGHT-OF-WAY/26' PAVEMENT/WITHOUT SIDEWALK	A	B	C
50' RIGHT-OF-WAY/26' PAVEMENT/WITH SIDEWALK	4'	2'	N/A
	4'	2'	1'

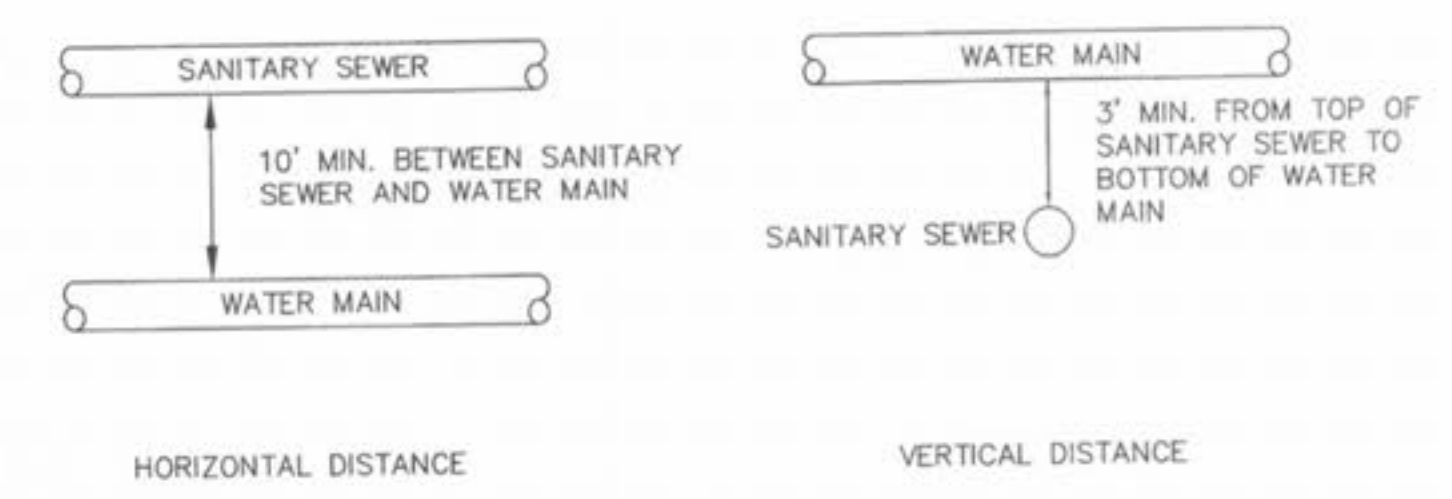
TYPICAL WATER MAIN AND FIRE HYDRANT LOCATIONS
 NOT TO SCALE



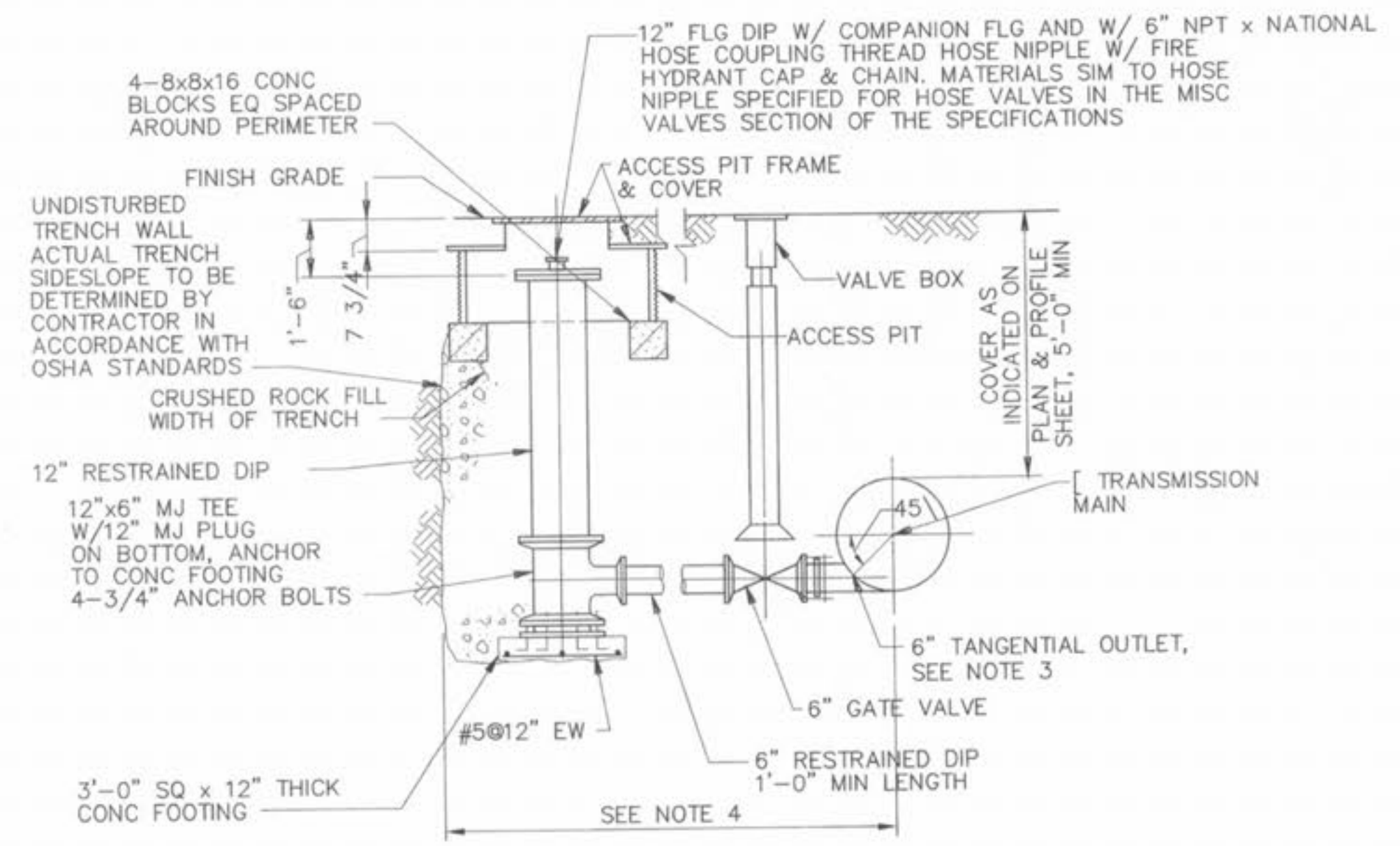
TYPICAL WATER MAIN INSTALLATION DETAILS
 NOT TO SCALE



GATE VALVE W/THRUST BLOCK
 NOT TO SCALE

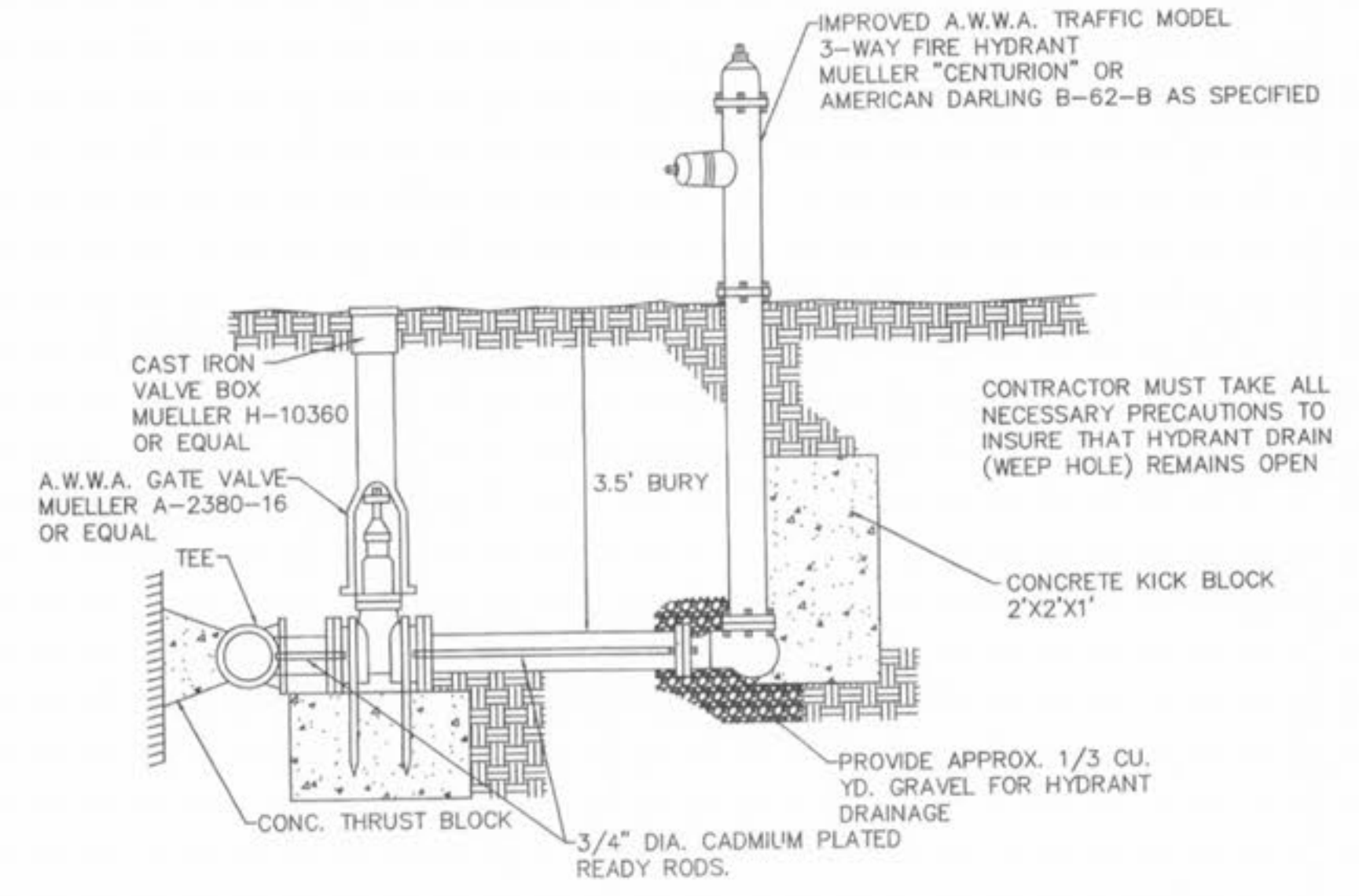


TYPICAL WATER AND SEWER SEPARATION
 NOT TO SCALE

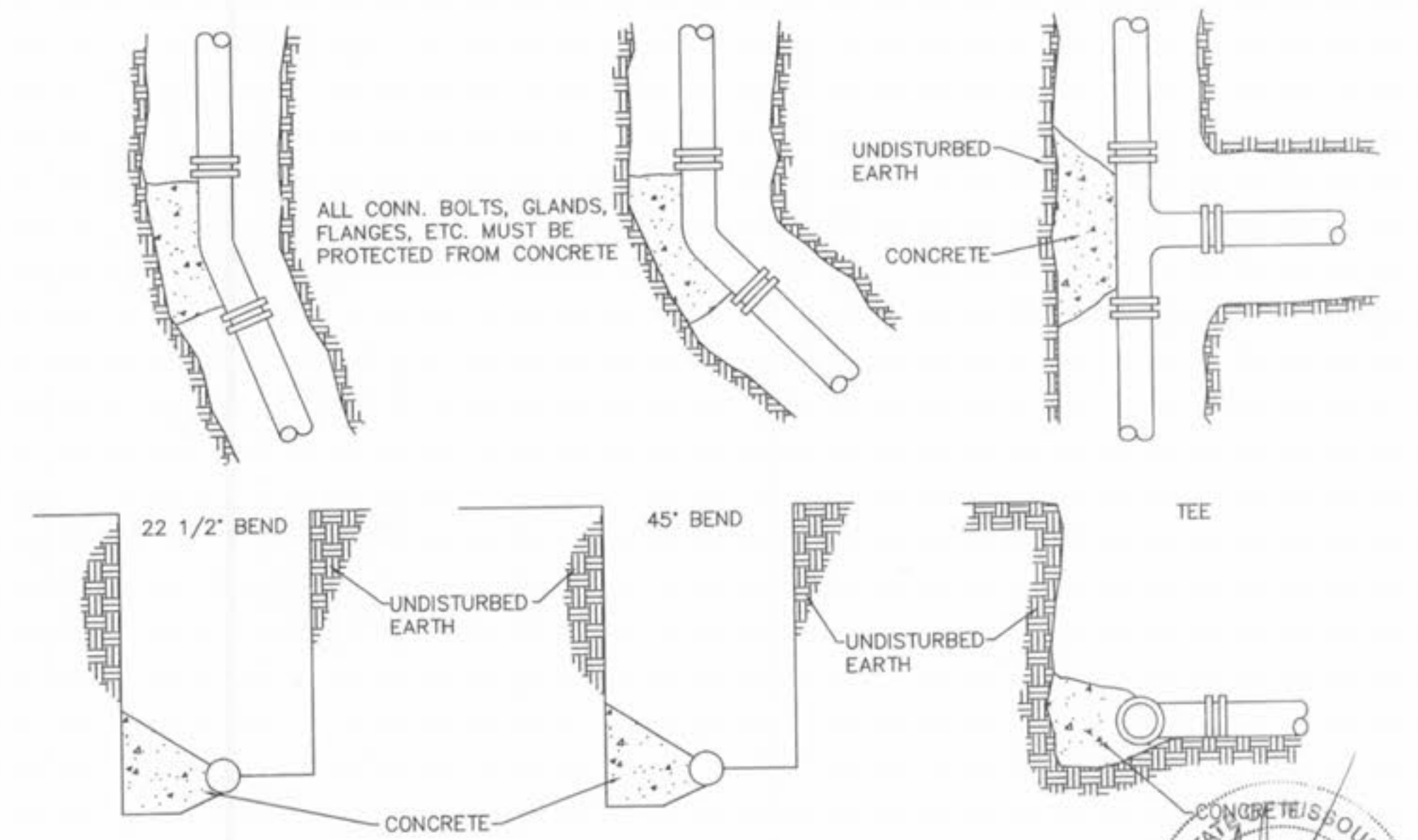


- NOTES:**
- SEE PLAN & PROFILE SHEETS FOR APPROXIMATE LOCATION AND ORIENTATION OF BLOWOFF FACILITY. PRECISE LOCATION OF OUTLET, RISER PIPE, AND ACCESS PIT IS TO BE DETERMINED IN THE FIELD BY THE ENGINEER BASED UPON THE CONDITIONS ENCOUNTERED.
 - ALL JOINTS TO BE RESTRAINED.
 - AT THE OPTION OF THE CONTRACTOR, THE VALVE CONNECTION TO THE TANGENTIAL OUTLET MAY BE MADE BY ONE OF THE FOLLOWING METHODS: A) A TYTON JOINT GATE VALVE AND FIELD LOCK RESTRAINED PUSH-ON JOINT, B) A MJ GATE VALVE AND GRIP RING PIPE RESTRAINER BY ROMAC INDUSTRIES, INC., C) A MJ GATE VALVE AND A PLAIN END OUTLET WITH A WELDED GLAND AND ANCHORED COUPLING.
 - SEE PLAN FOR MAXIMUM DISTANCE FROM TRANSMISSION MAIN TO PERMANENT EASEMENT. IF BLOWOFF FACILITY CANNOT BE INSTALLED WITHIN THE MAXIMUM DISTANCE, ADD A 90° BEND AFTER THE VALVE AND INSTALL 6" PIPING PARALLEL TO THE TRANSMISSION MAIN.

BLOWOFF DETAIL
 NOT TO SCALE



FIRE HYDRANT INSTALLATION DETAIL
 NOT TO SCALE



TYPICAL THRUST BLOCK DETAILS
 NOT TO SCALE

MAIN SIZE (I.D.)	MIN. THRUST BLOCK BEARING DIMENSIONS TO BEAR AGAINST UNDISTURBED EARTH				
	45° BEND	22 1/2° BEND	TEE	VALVE	CROSS
2"	.5' X 1'	.5' X 1'	.5' X 1'	.5' X 1'	.5' X 1'
4"	1' X 1'	1' X 1'	2' X 1'	2' X 1'	1' X 1'
6"	1.5' X 1'	1' X 1'	2' X 1'	2' X 1'	1' X 1'
8"	2' X 1'	1' X 1'	2' X 2.5'	2' X 2'	1' X 1.5'
10"	2' X 2.5'	1.5' X 2'	2' X 3.5'	2' X 3'	2' X 2'
12"	2' X 3.5'	1.5' X 2.5'	3' X 3.5'	3' X 3'	2' X 3'
16"	3' X 4'	2' X 3'	4' X 4.5'	3' X 4.5'	3' X 3.5'

