

Table with 4 columns: ROUND PIPE, HORIZONTAL ELLIPTICAL PIPE, PAYLINE WIDTHS OF TRENCH AND PAY-QUANTITIES OF CONCRETE, METROPOLITAN ST. LOUIS SEWER DISTRICT Standard Details of Sewer Construction

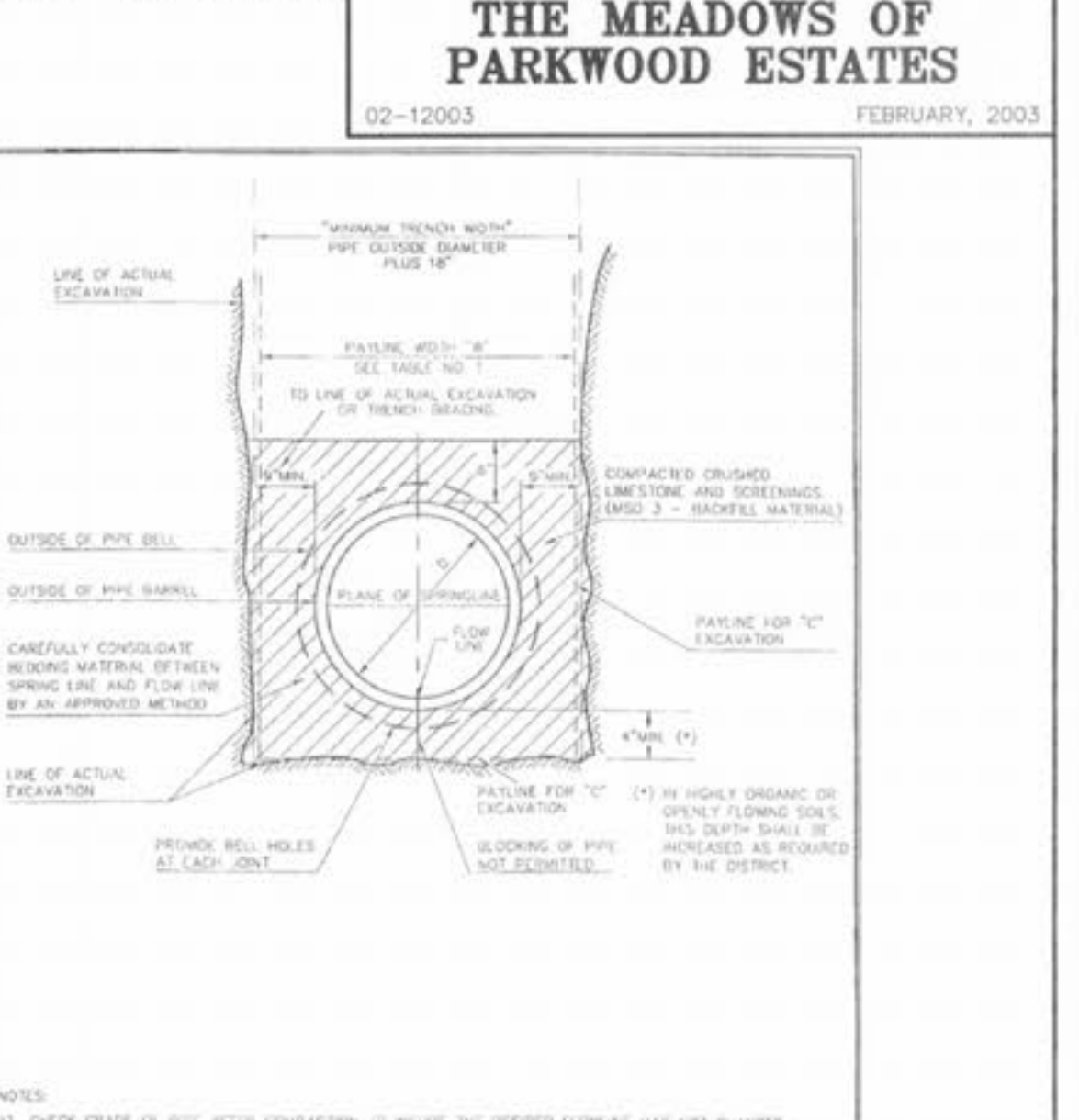
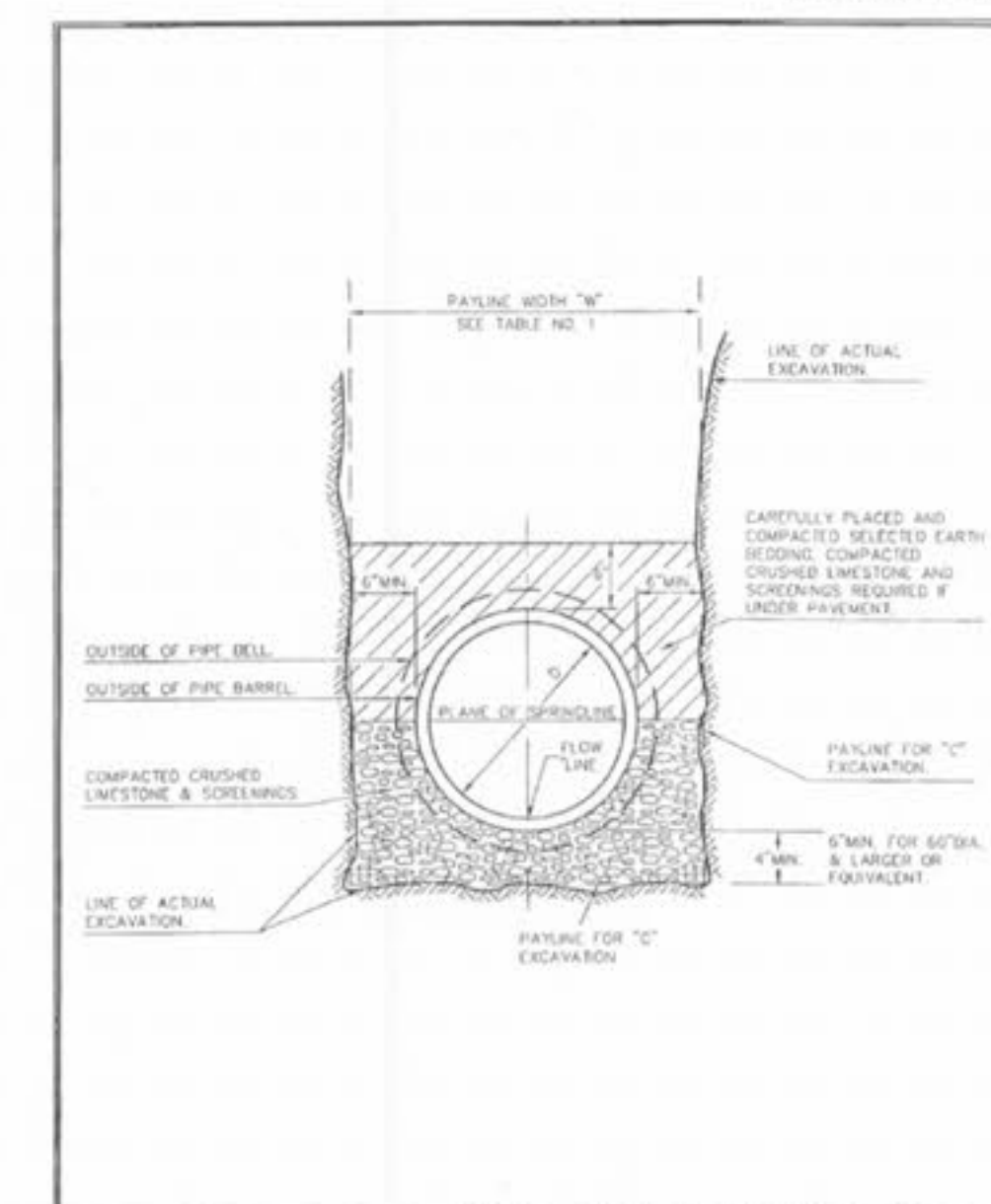
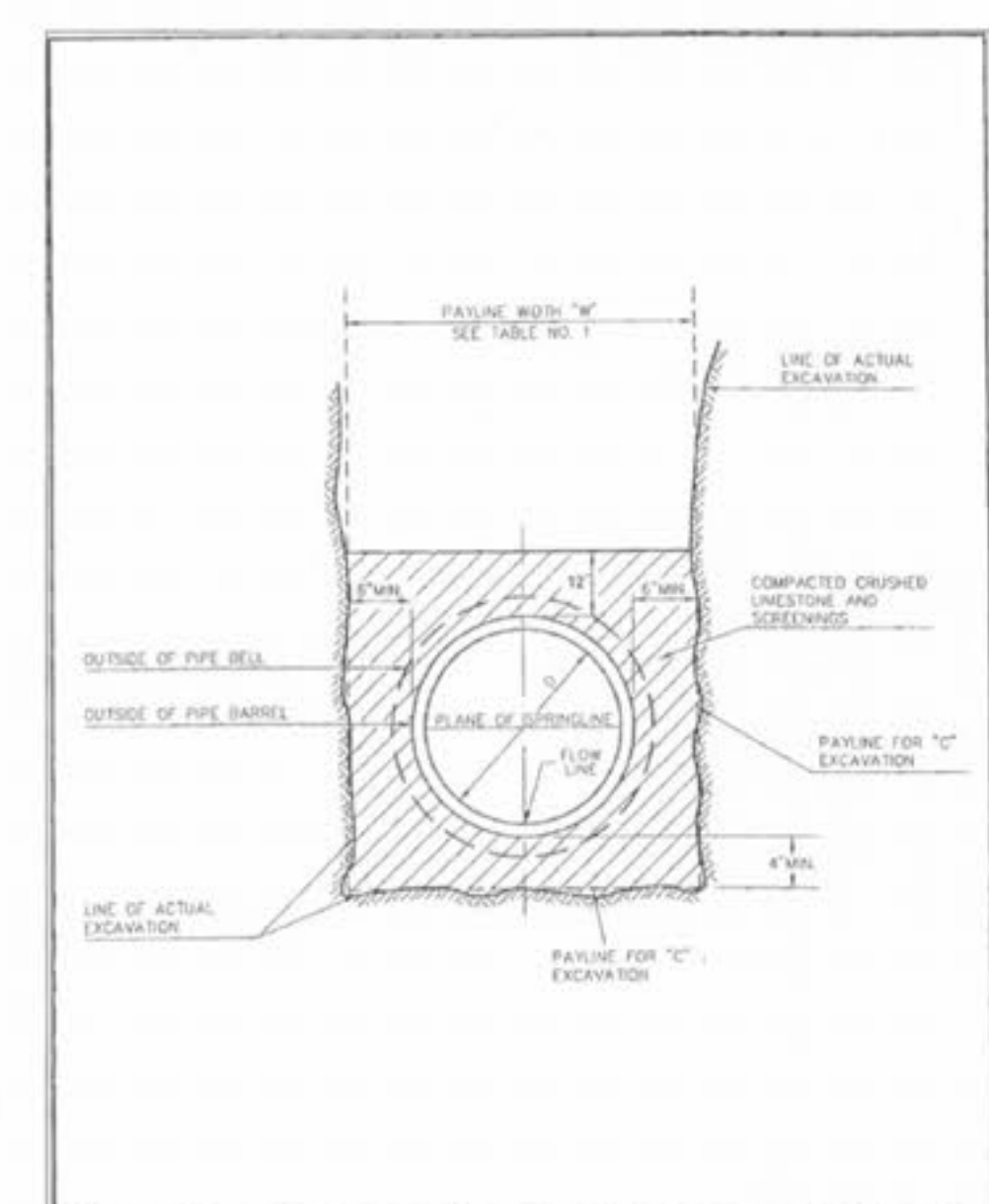
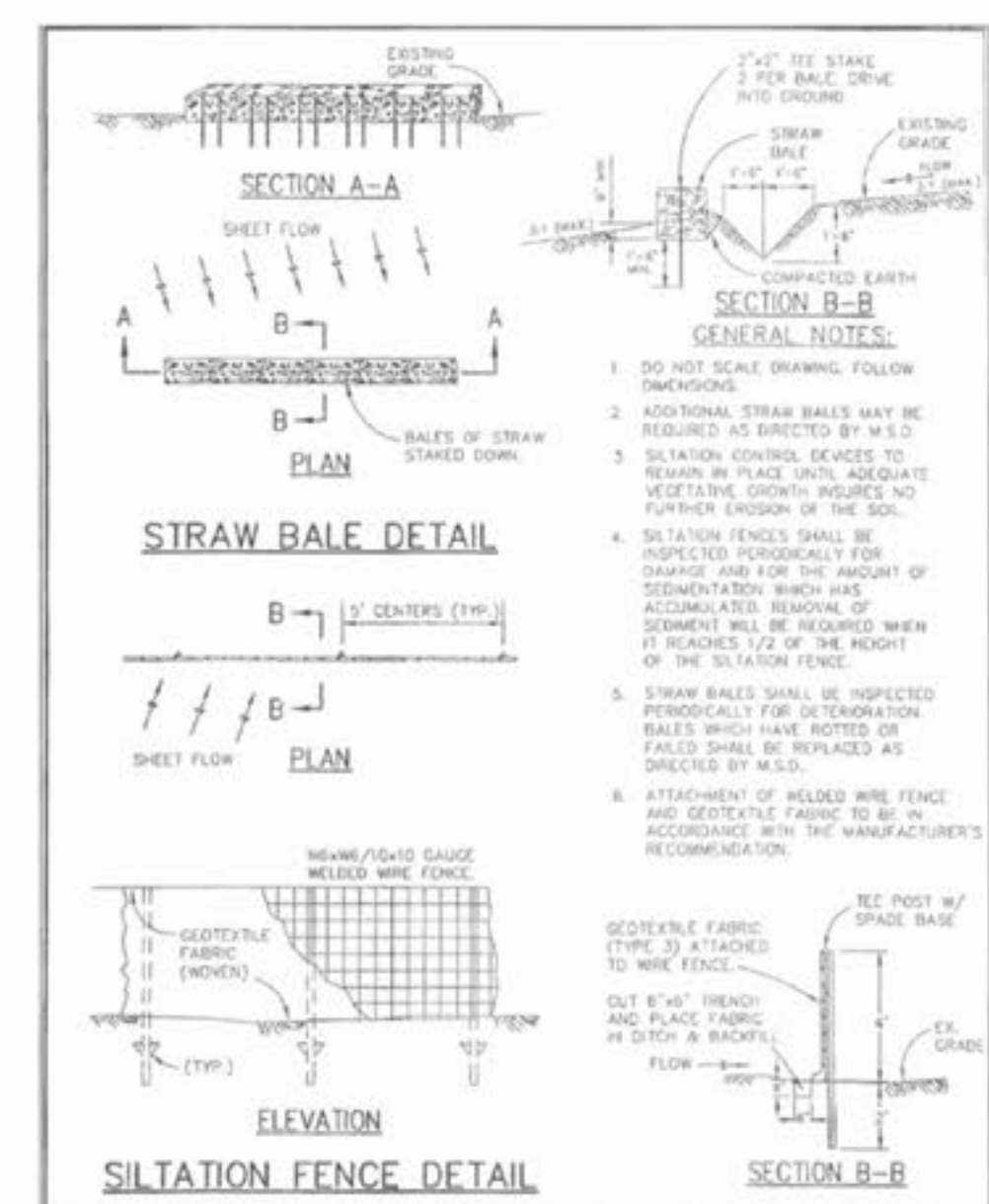
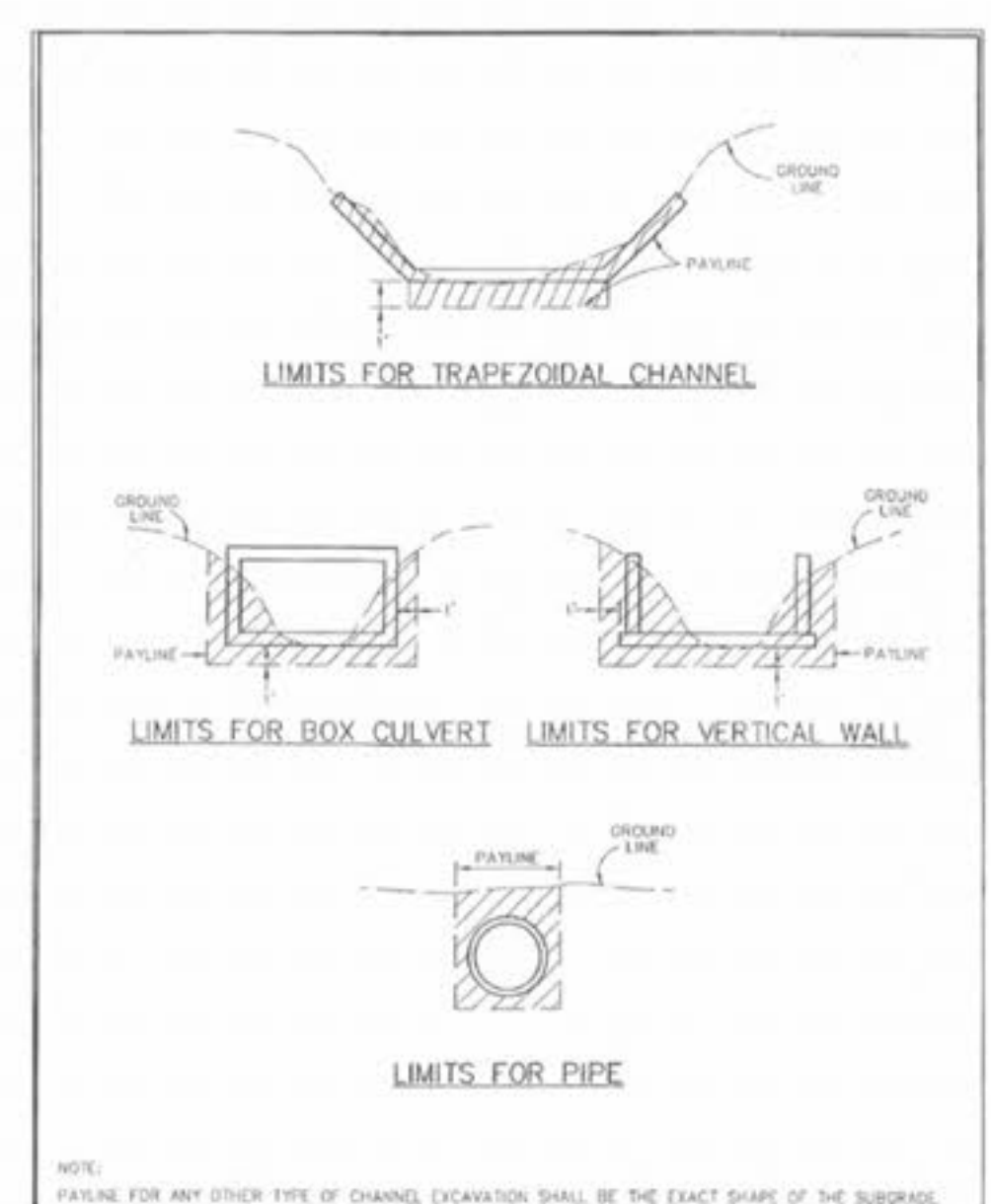


TABLE 1 PAYLINE WIDTHS OF TRENCH AND PAY-QUANTITIES OF CONCRETE METROPOLITAN ST. LOUIS SEWER DISTRICT Standard Details of Sewer Construction

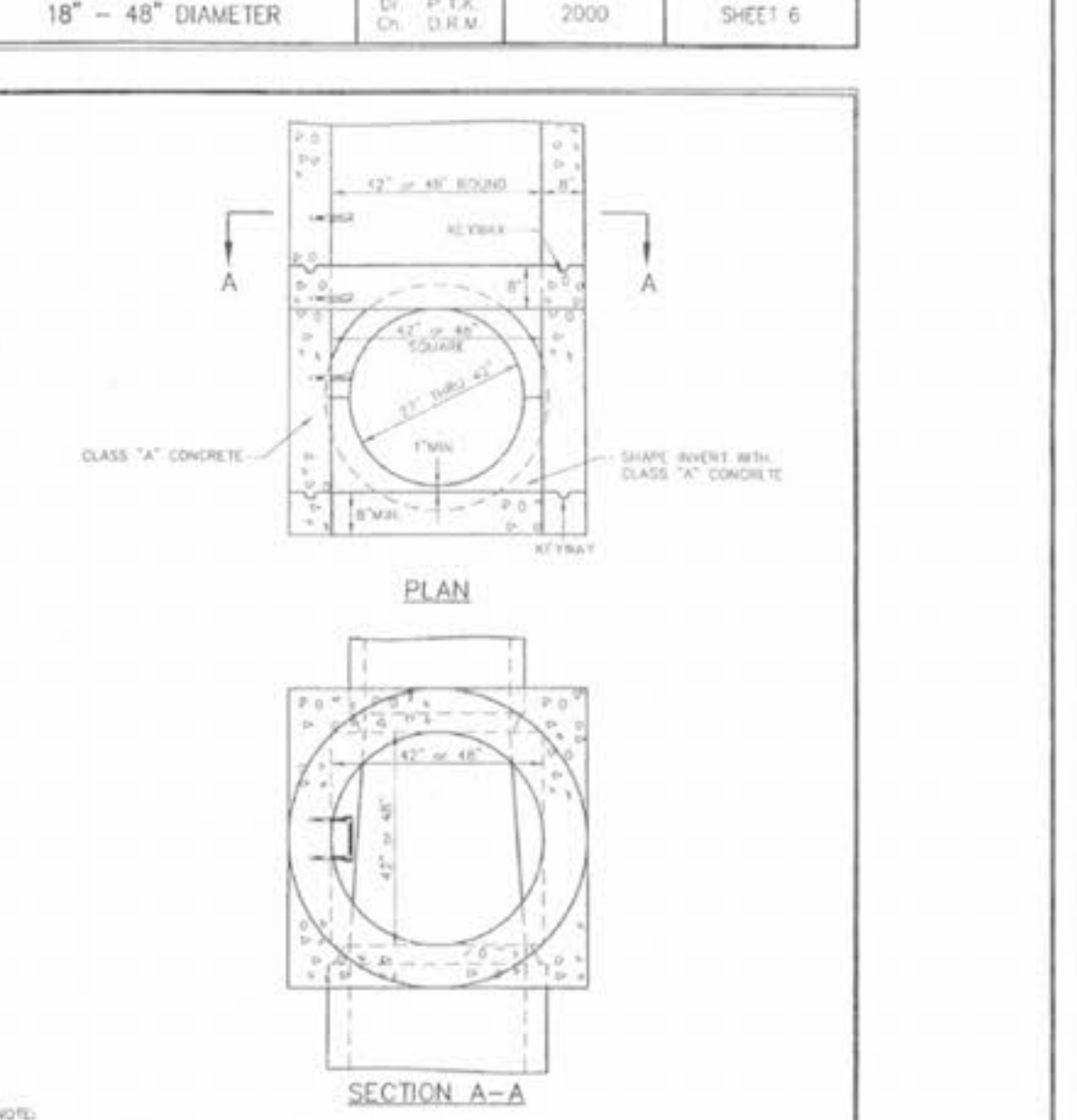
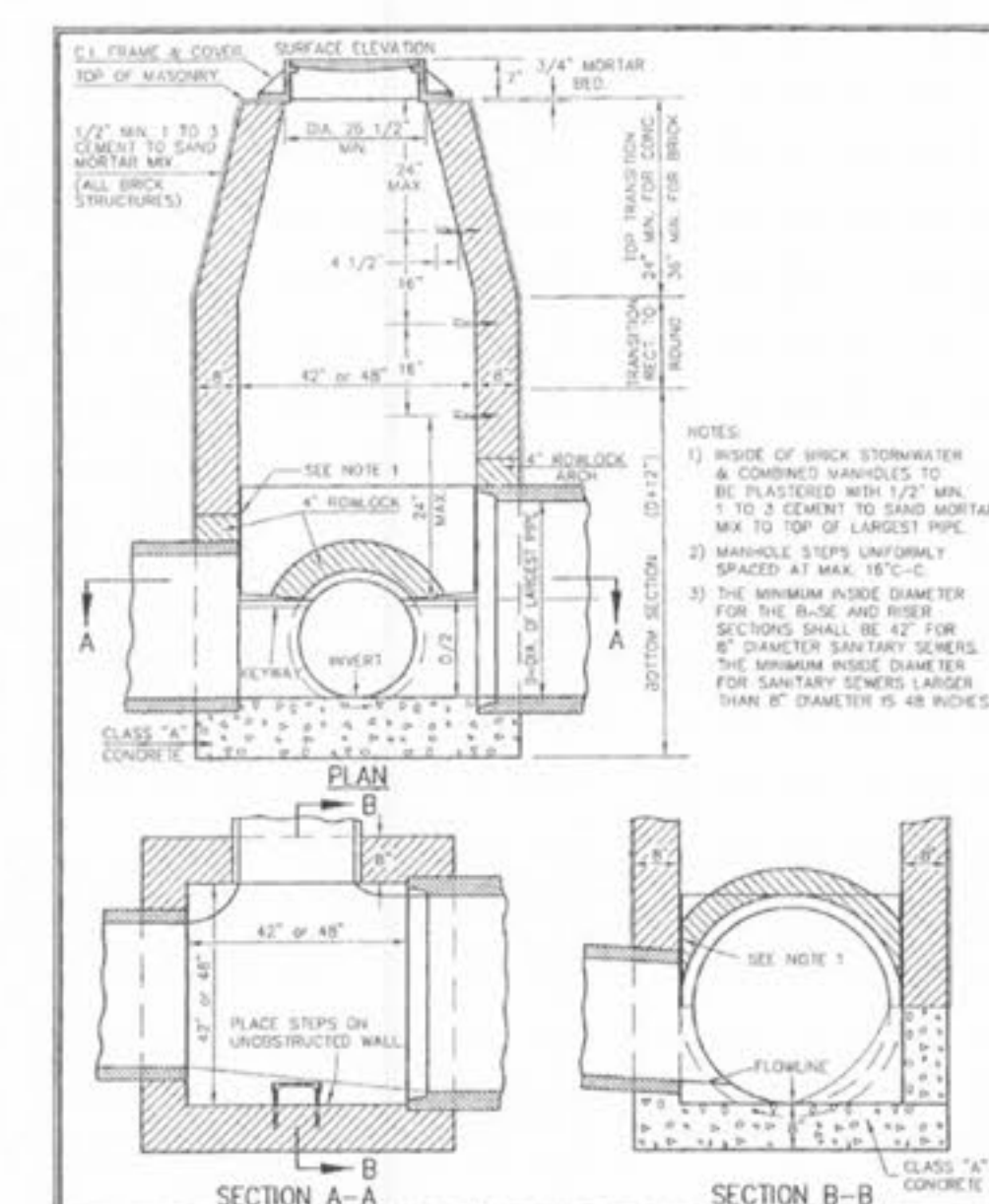
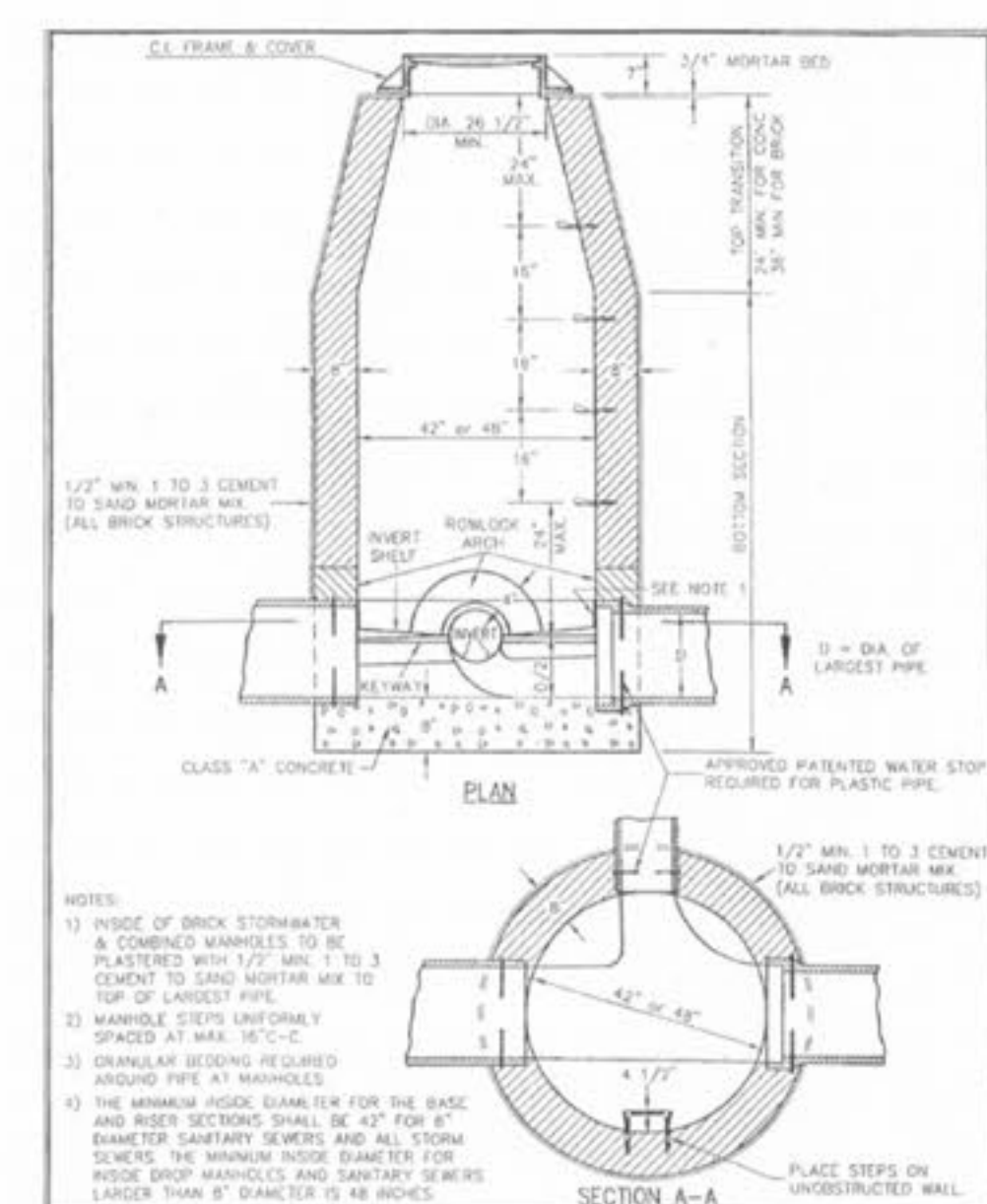
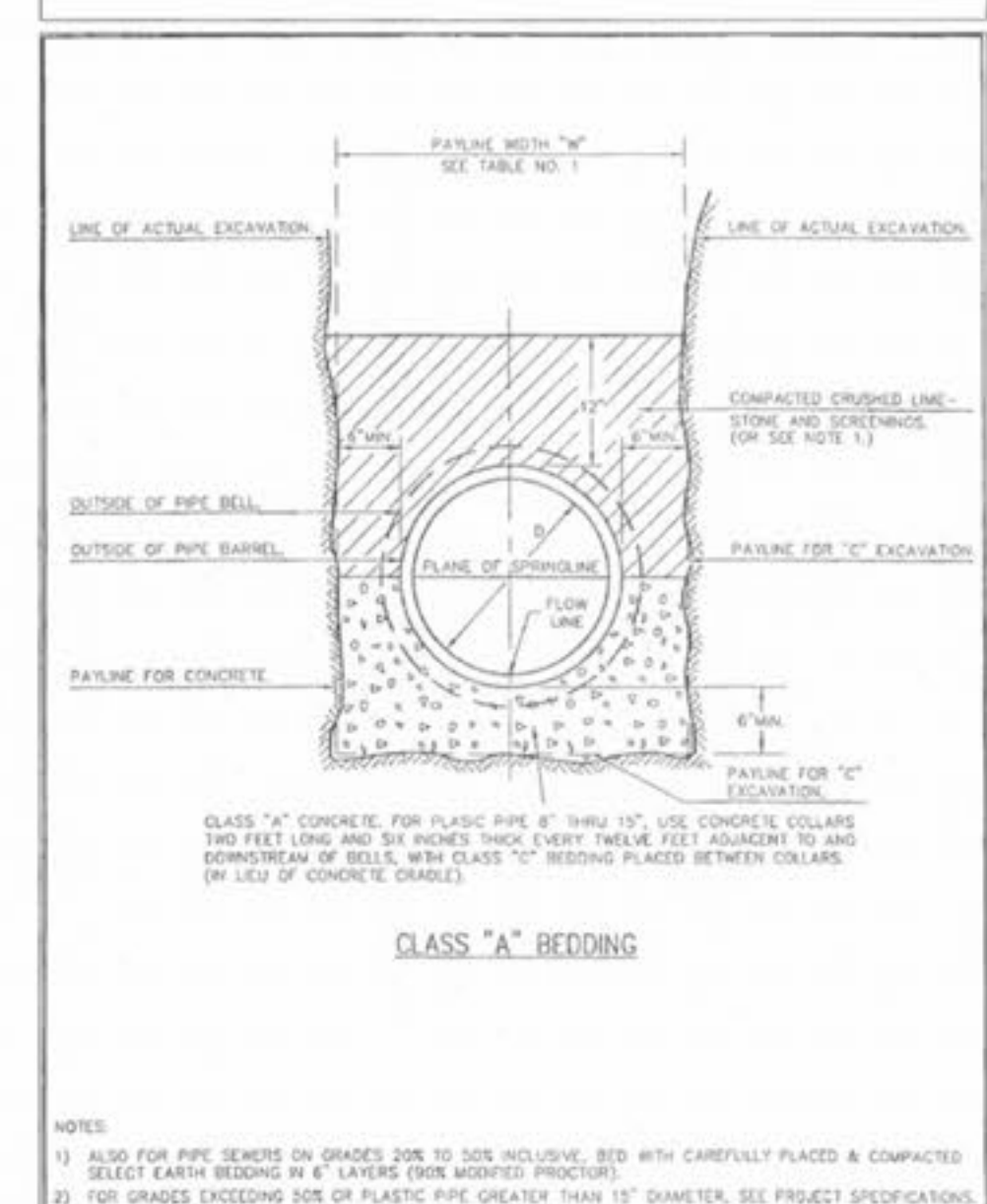
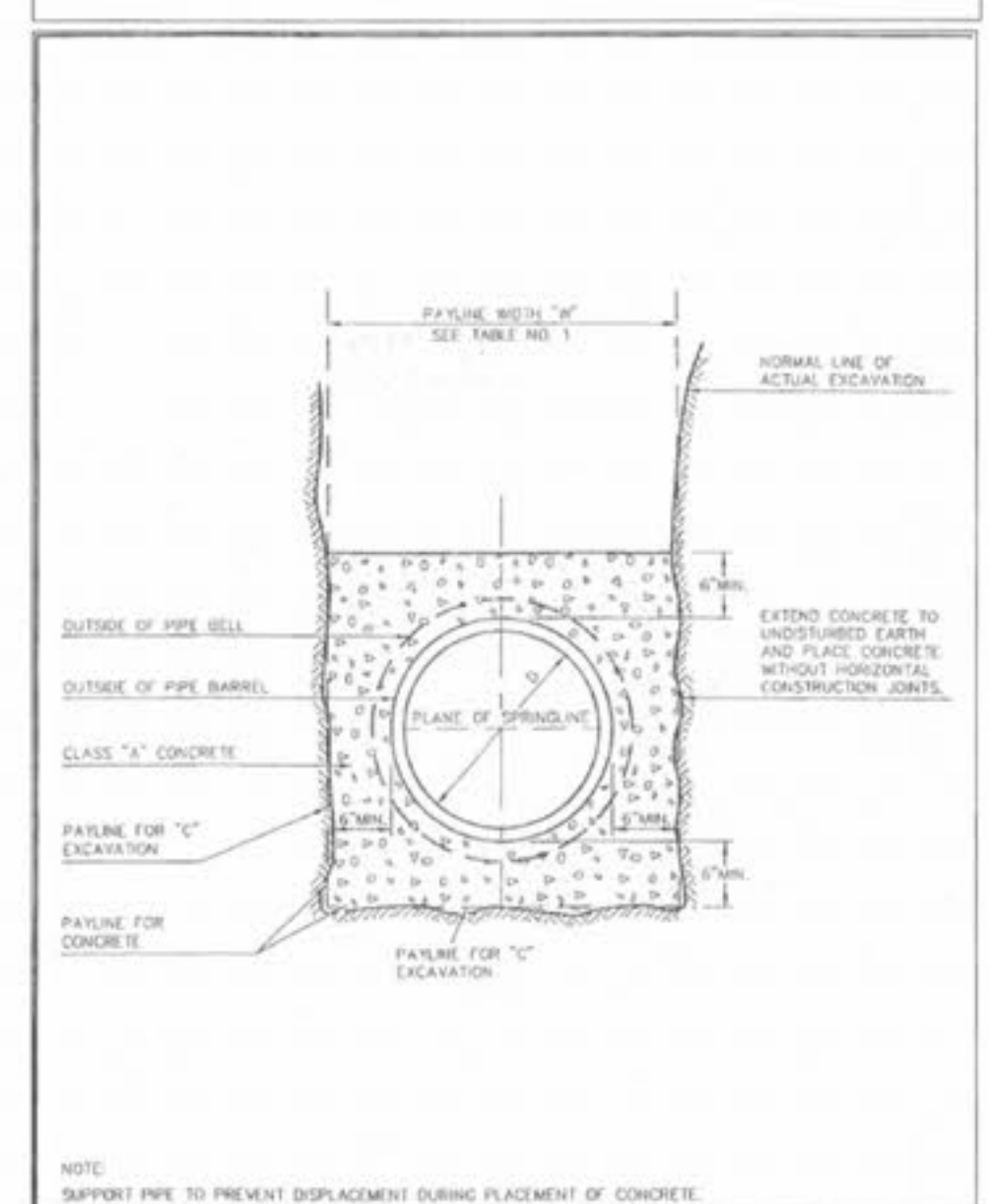
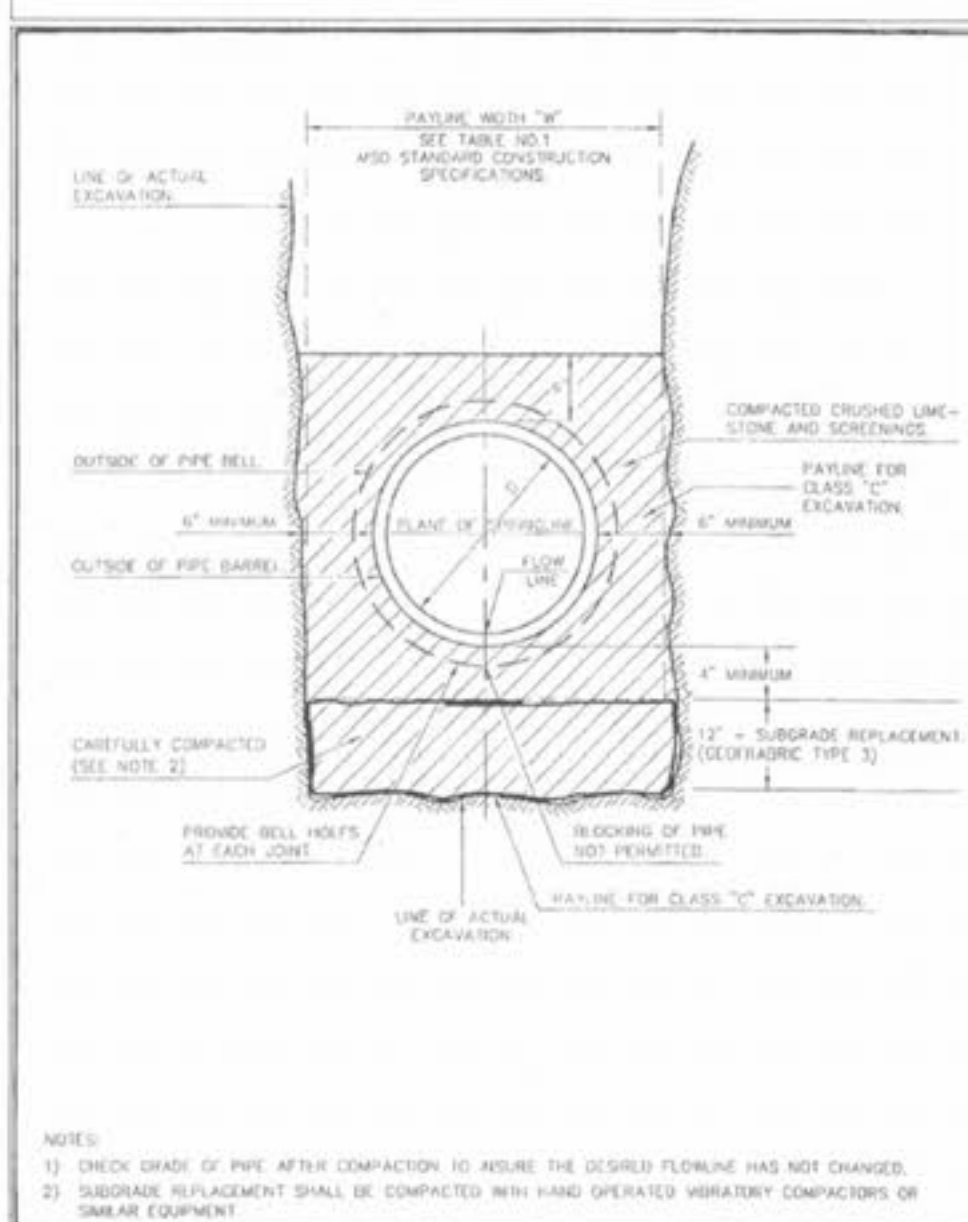
PAYLINE LIMITS FOR EXCAVATION METROPOLITAN ST. LOUIS SEWER DISTRICT Standard Details of Sewer Construction

TYPICAL SILTATION CONTROL DEVICES METROPOLITAN ST. LOUIS SEWER DISTRICT Standard Details of Sewer Construction

PIPE BEDDING CLASS 'C' (FOR ALL PIPE EXCEPT REINFORCED CONCRETE PIPE) METROPOLITAN ST. LOUIS SEWER DISTRICT Standard Details of Sewer Construction

PIPE BEDDING CLASS 'C' (MODIFIED FOR REINFORCED CONCRETE PIPE) METROPOLITAN ST. LOUIS SEWER DISTRICT Standard Details of Sewer Construction

PIPE BEDDING FOR FLEXIBLE PIPE 18" - 48" DIAMETER METROPOLITAN ST. LOUIS SEWER DISTRICT Standard Details of Sewer Construction



SPECIAL PIPE BEDDING DETAIL FOR SUBGRADE REPLACEMENT 12" DEPTH OR MORE METROPOLITAN ST. LOUIS SEWER DISTRICT Standard Details of Sewer Construction

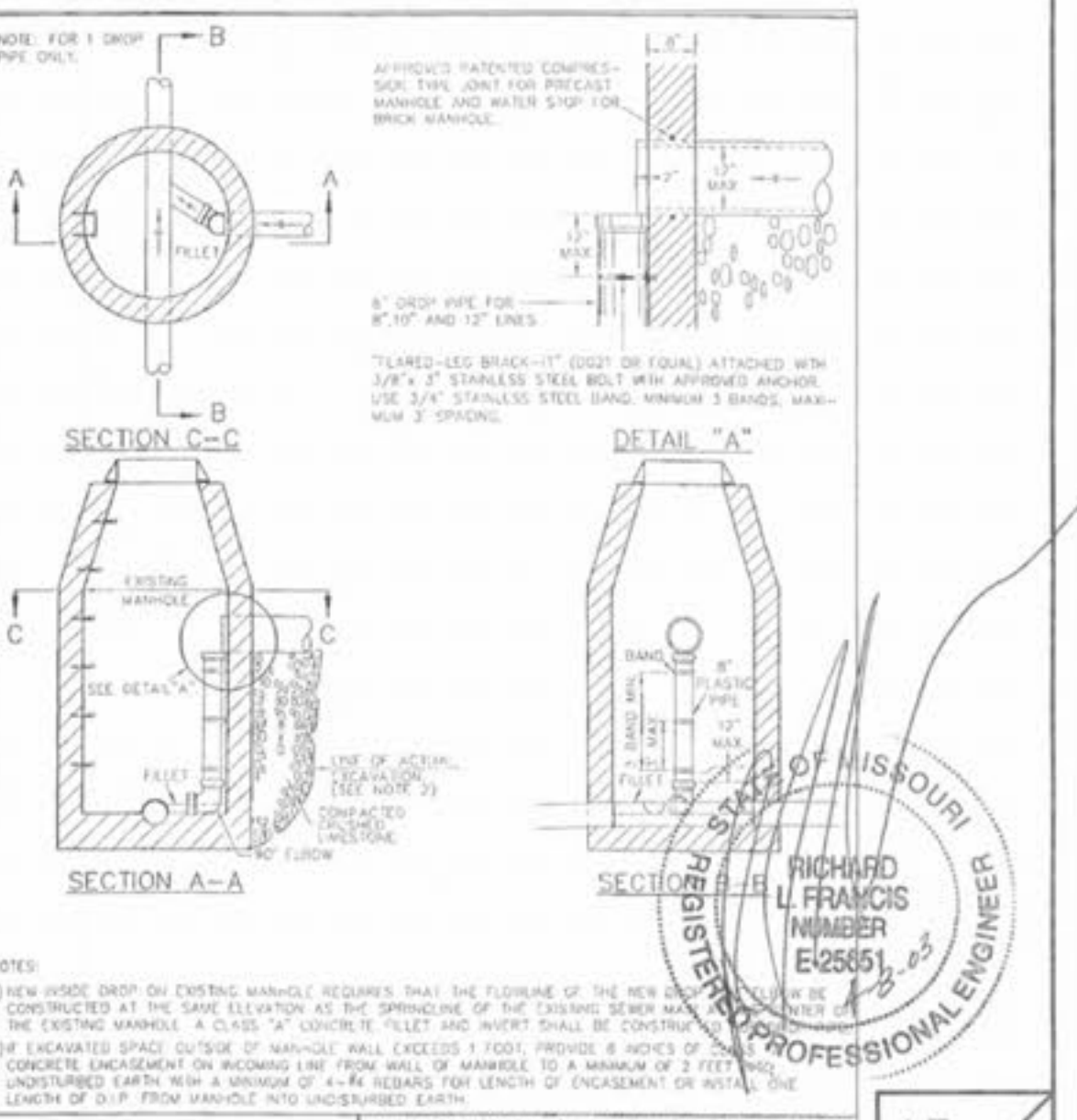
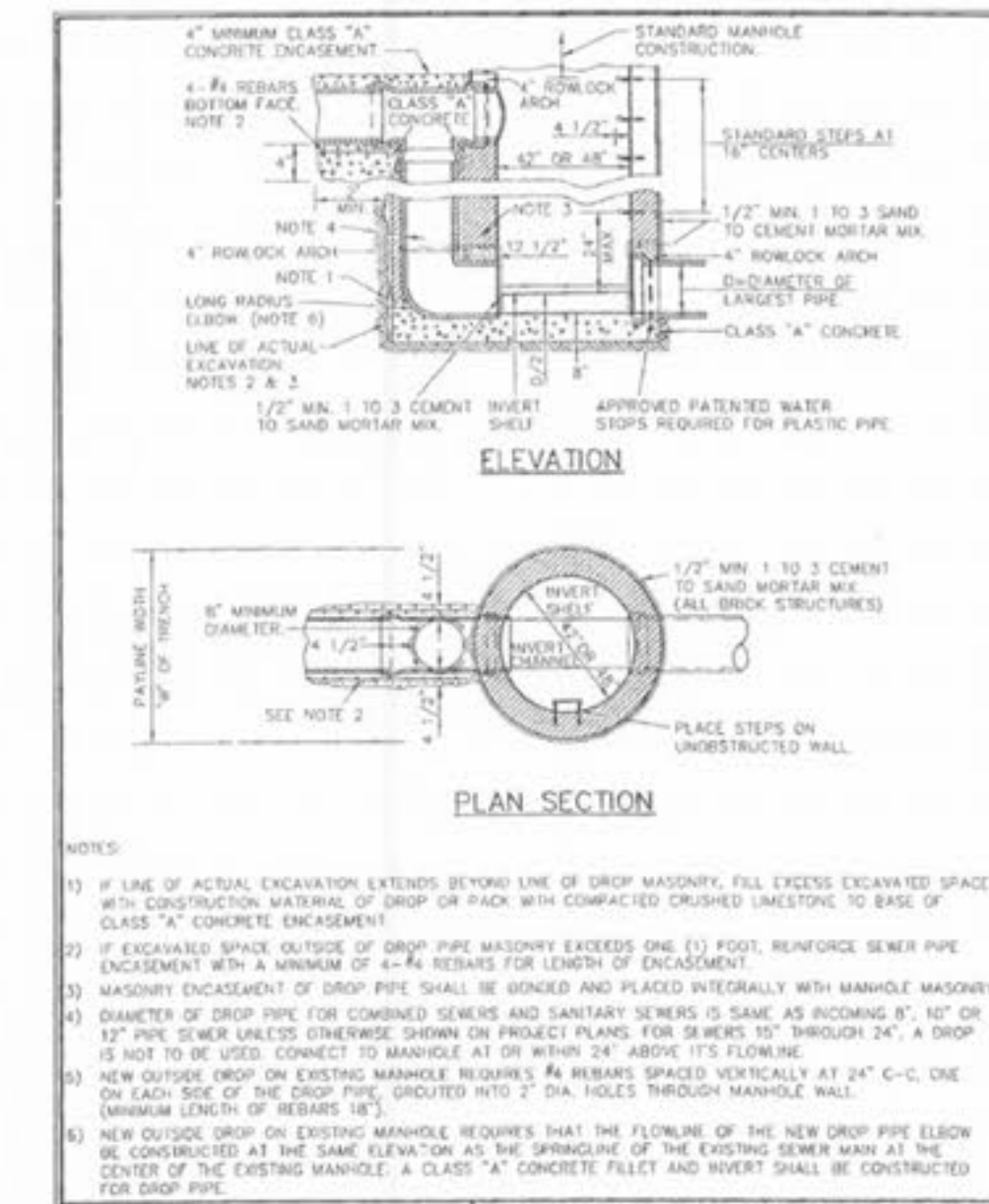
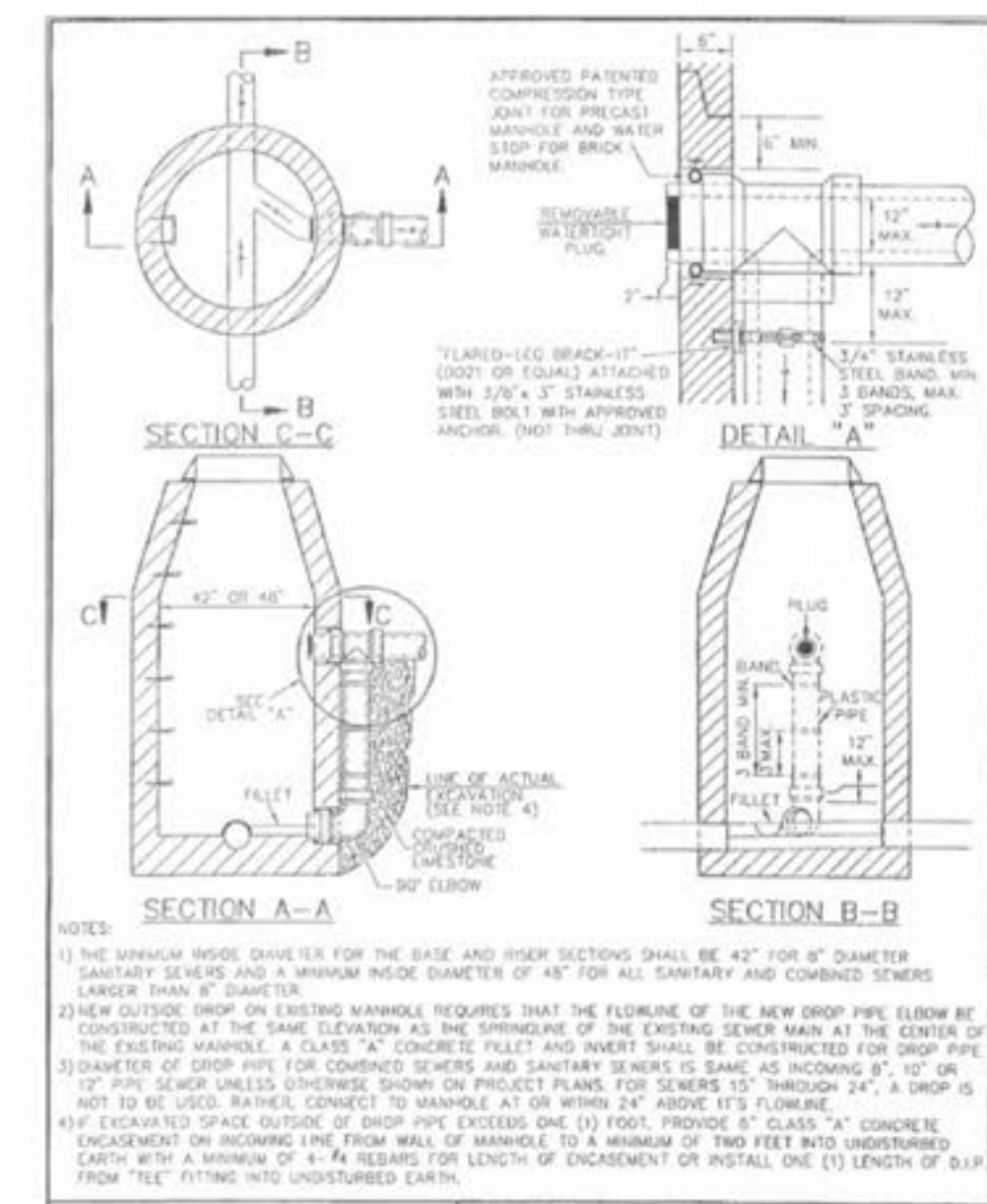
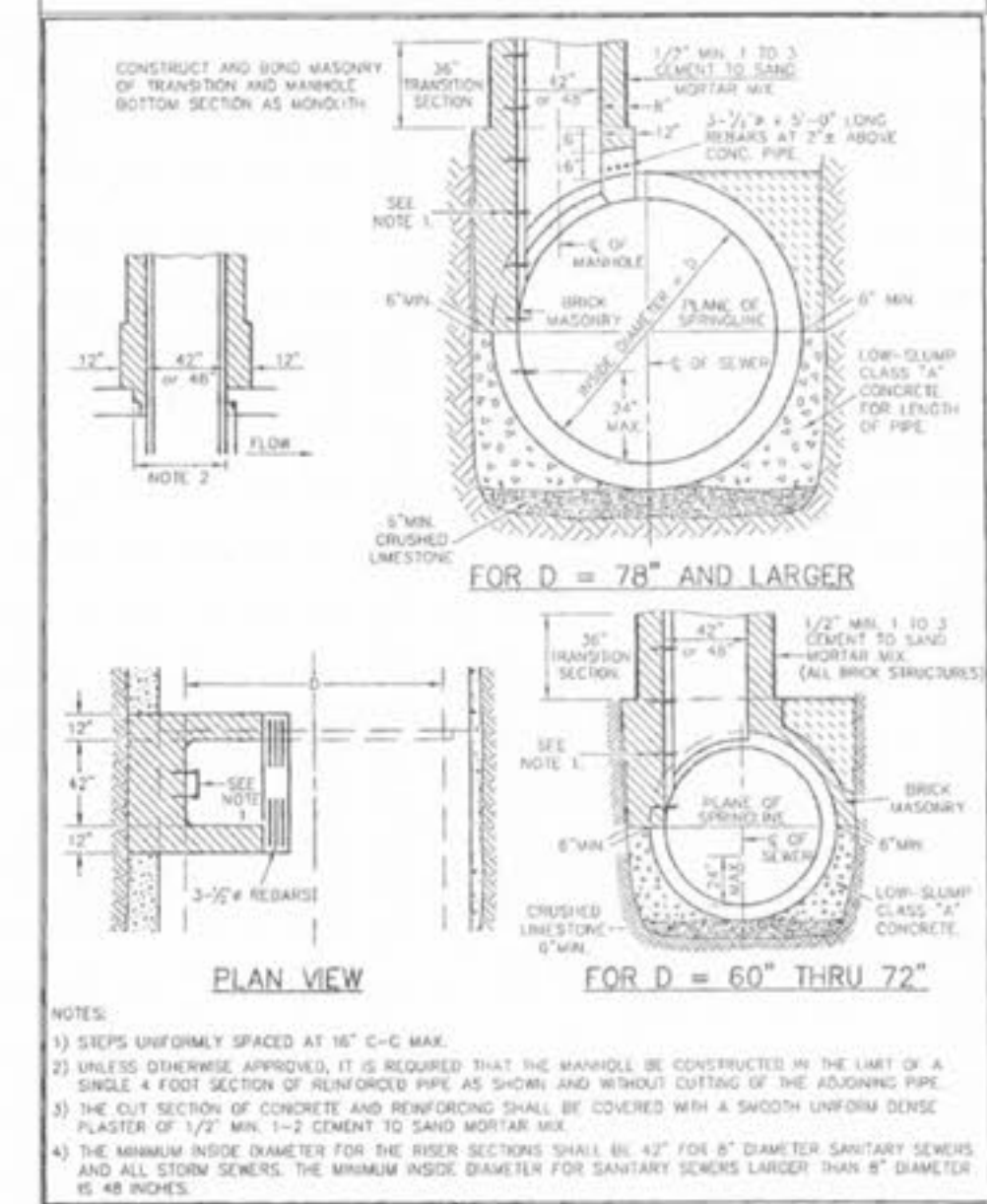
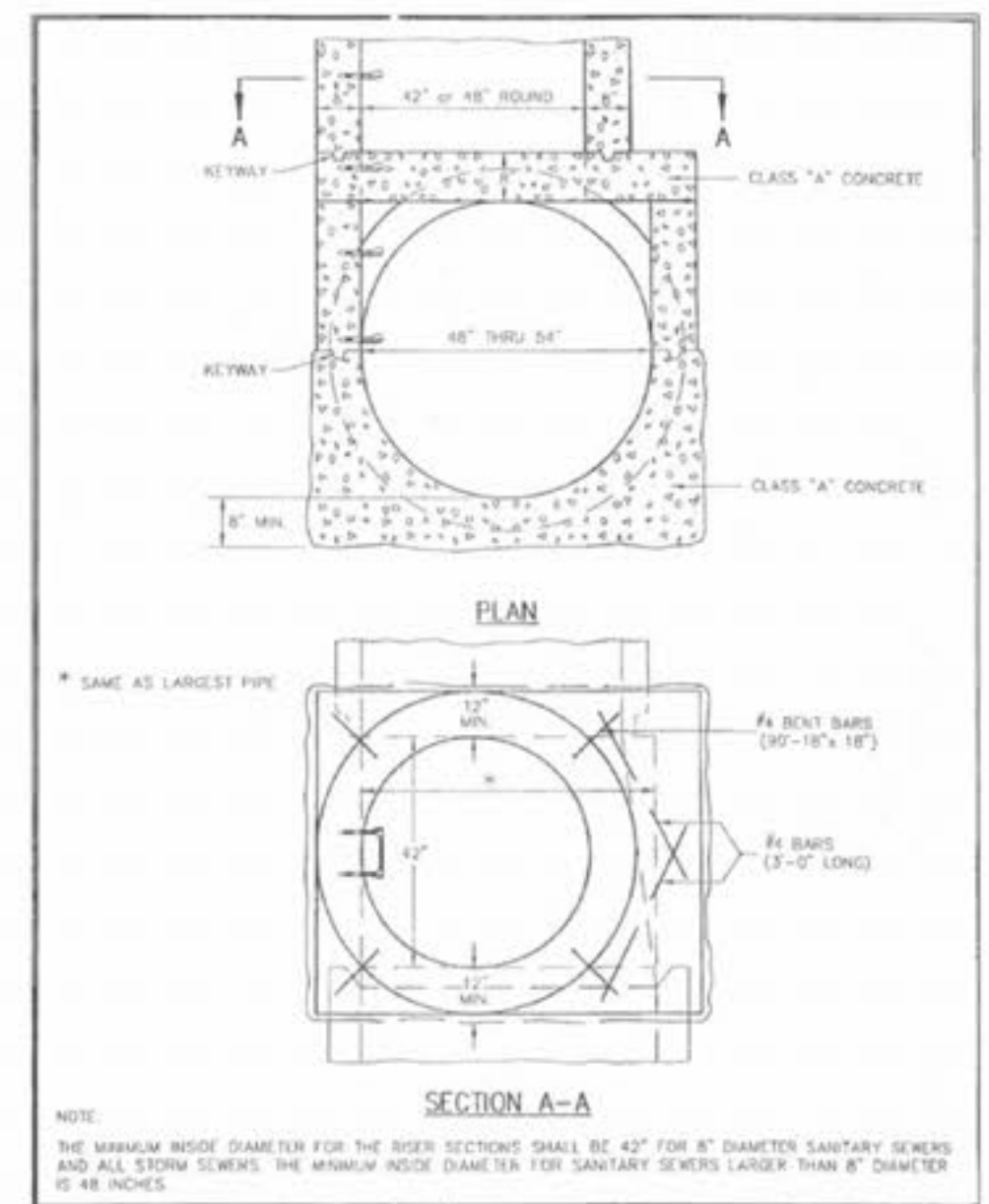
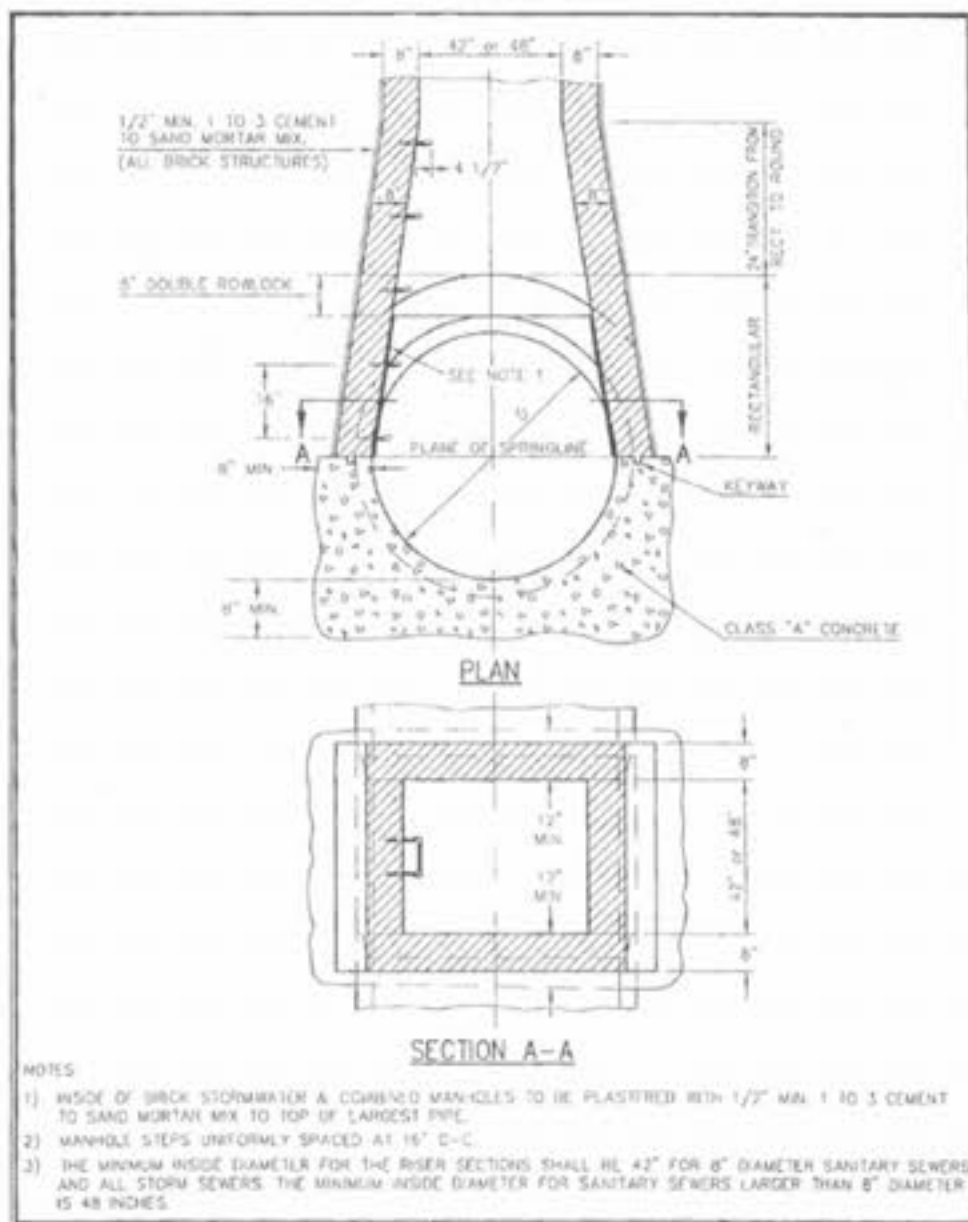
CONCRETE ENCASEMENT METROPOLITAN ST. LOUIS SEWER DISTRICT Standard Details of Sewer Construction

CLASS 'A' BEDDING METROPOLITAN ST. LOUIS SEWER DISTRICT Standard Details of Sewer Construction

LINE MANHOLE PIPE SEWERS 8"-24" DIA. METROPOLITAN ST. LOUIS SEWER DISTRICT Standard Details of Sewer Construction

TYPICAL LINE MANHOLE ON PIPE SEWER 27" THRU 42" IN DIAMETER METROPOLITAN ST. LOUIS SEWER DISTRICT Standard Details of Sewer Construction

MANHOLE ON PIPE SEWER 27" THRU 42" (ALTERNATE) METROPOLITAN ST. LOUIS SEWER DISTRICT Standard Details of Sewer Construction



MANHOLE ON CONCRETE PIPE SEWERS 48" THRU 54" DIAMETER METROPOLITAN ST. LOUIS SEWER DISTRICT Standard Details of Sewer Construction

MANHOLE ON CONC. PIPE 48" THRU 54" (ALTERNATE) METROPOLITAN ST. LOUIS SEWER DISTRICT Standard Details of Sewer Construction

TYPICAL MANHOLE BASE REINFORCED CONCRETE PIPE SEWERS 60" AND LARGER IN DIAMETER METROPOLITAN ST. LOUIS SEWER DISTRICT Standard Details of Sewer Construction

OUTSIDE FOULWATER DROP MANHOLE METROPOLITAN ST. LOUIS SEWER DISTRICT Standard Details of Sewer Construction

OUTSIDE FOULWATER DROP MANHOLE (ALTERNATE) METROPOLITAN ST. LOUIS SEWER DISTRICT Standard Details of Sewer Construction

NEW INSIDE DROP ON EXISTING MANHOLE FOR SEWERS 8 INCH TO 12 INCH METROPOLITAN ST. LOUIS SEWER DISTRICT Standard Details of Sewer Construction

Professional Engineer seal for Richard L. Francis, No. 226851, State of Missouri.