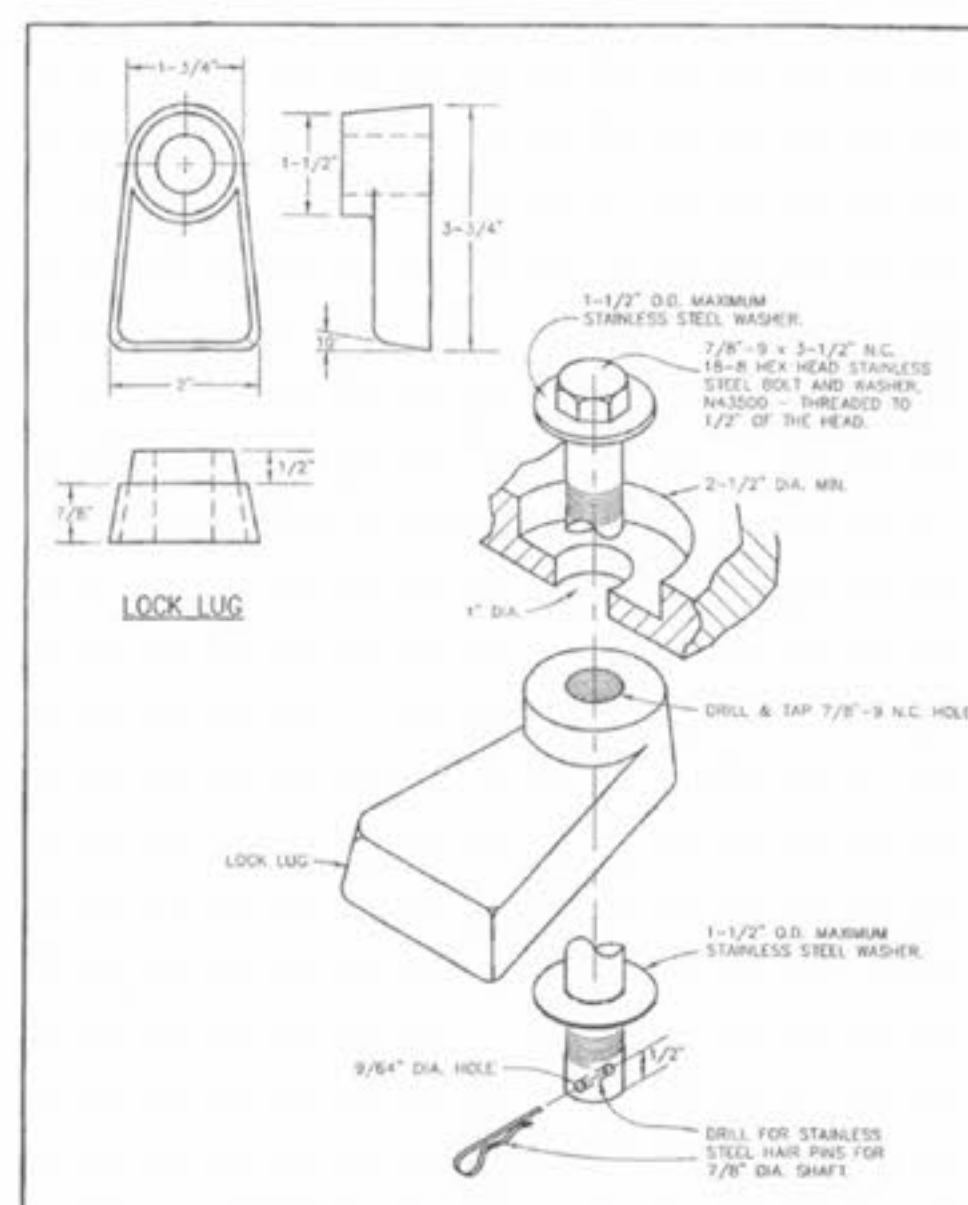
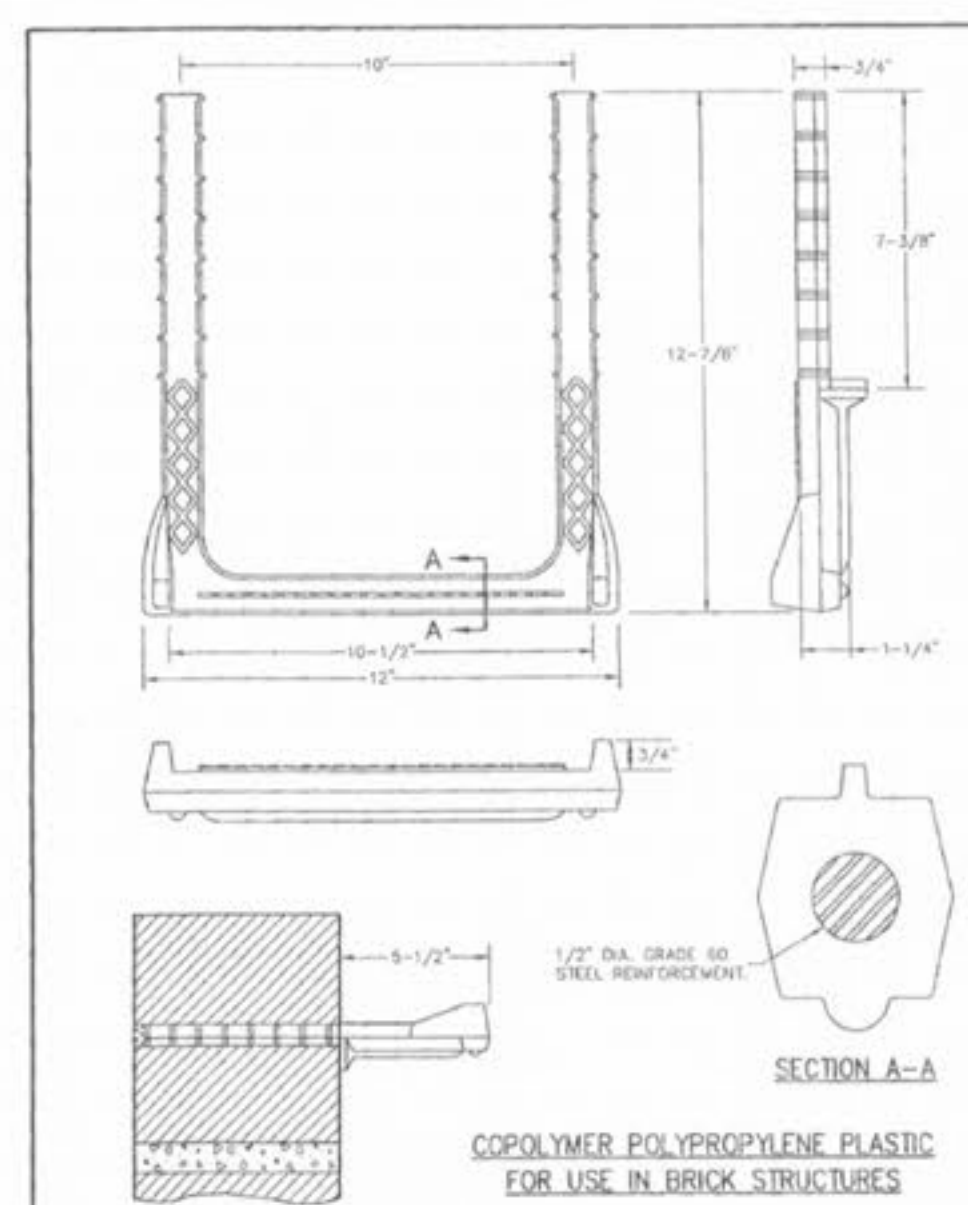


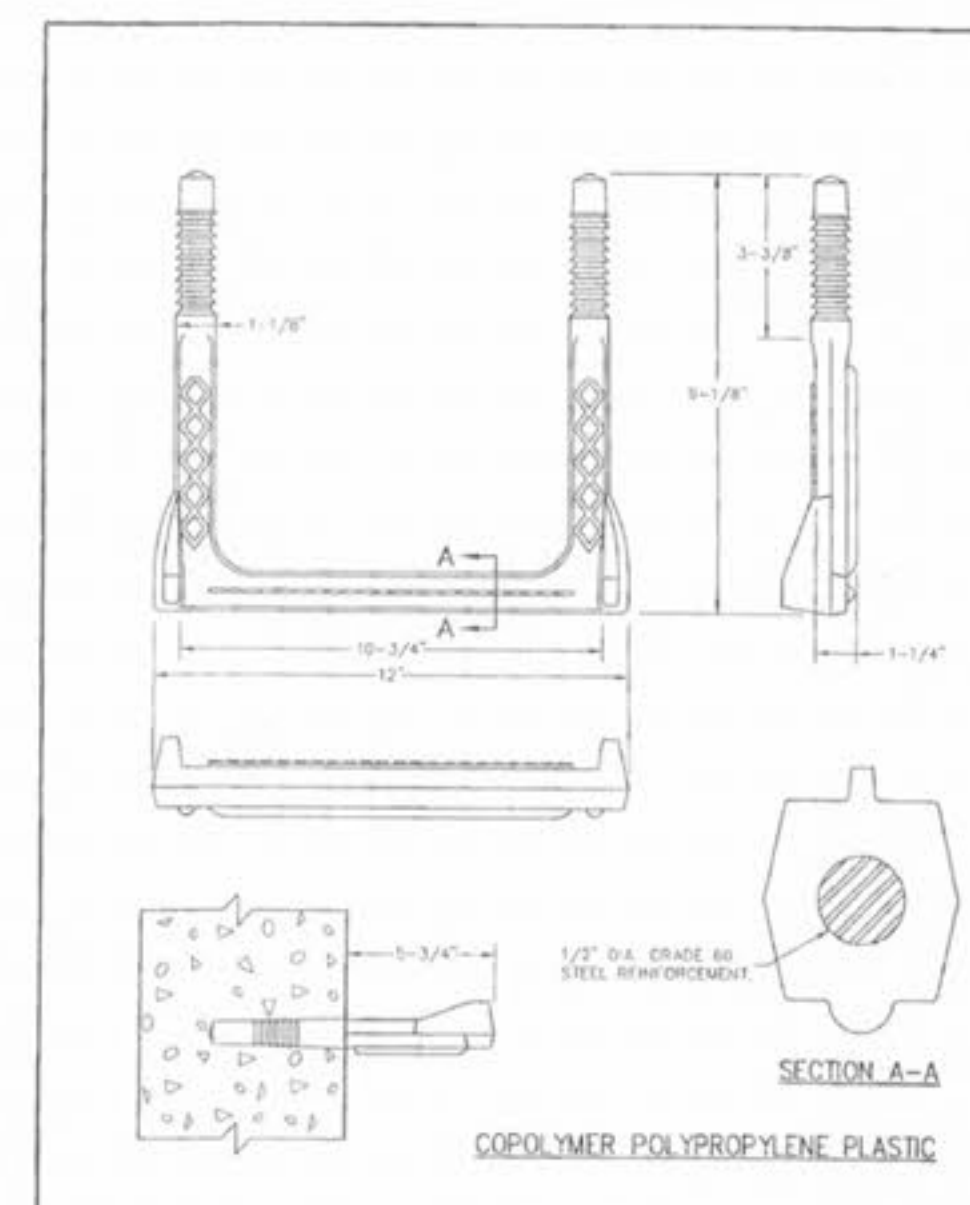
LOCKING DEVICE FOR TYPE "T" LOCK TYPE MANHOLE COVER
 METROPOLITAN ST. LOUIS SEWER DISTRICT
 Standard Details of Sewer Construction
 D: WSH/SAM Ch. J.C.K. 2000 SHEET 55



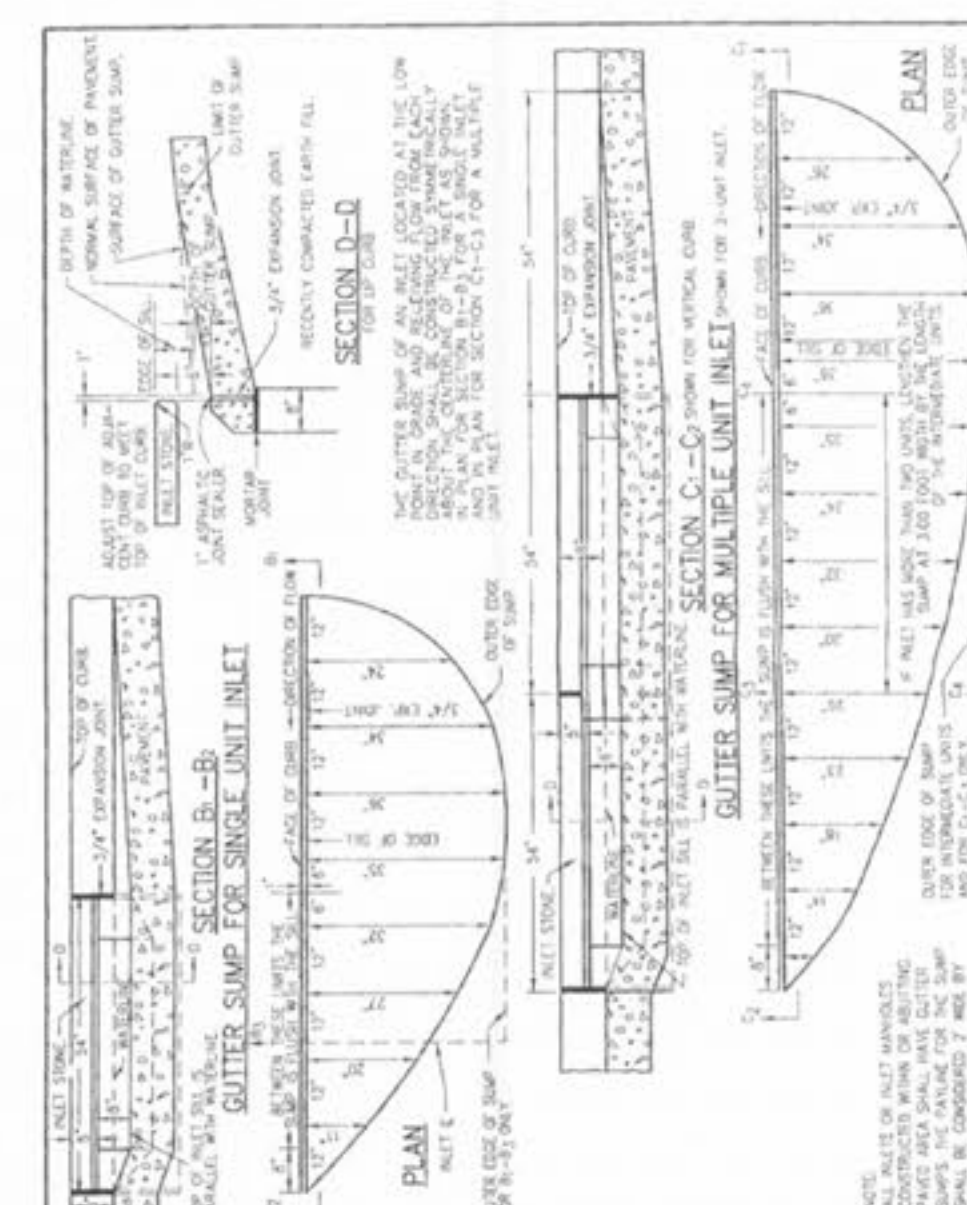
LOCKING DEVICE FOR TYPE "N" LOCK TYPE MANHOLE COVER
 METROPOLITAN ST. LOUIS SEWER DISTRICT
 Standard Details of Sewer Construction
 D: J.C./SAM Ch. J.C.K. 2000 SHEET 56



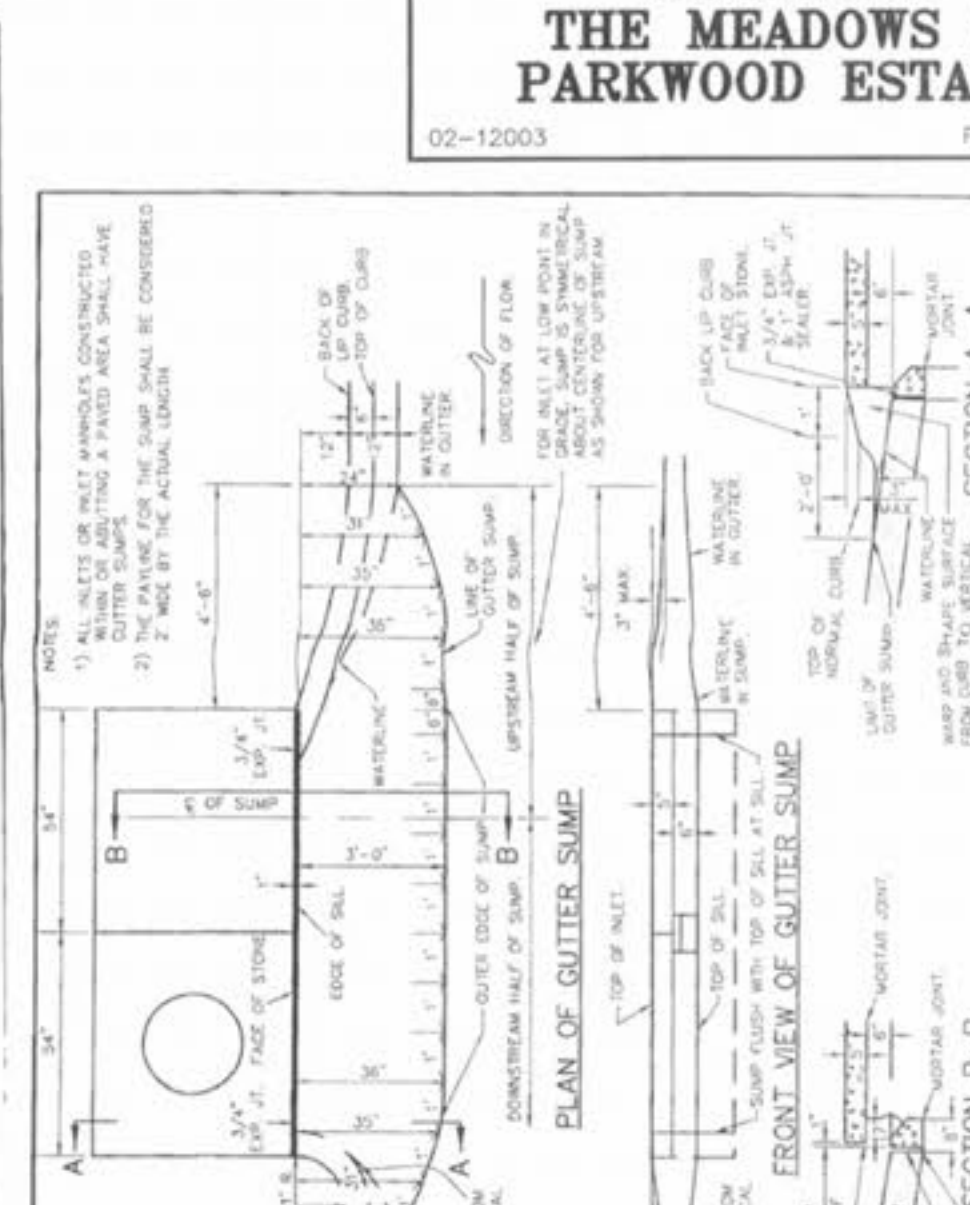
PSI-B MANHOLE STEP INTO JOINT
 METROPOLITAN ST. LOUIS SEWER DISTRICT
 Standard Details of Sewer Construction
 D: WSH/SAM Ch. J.C.K. 2000 SHEET 57



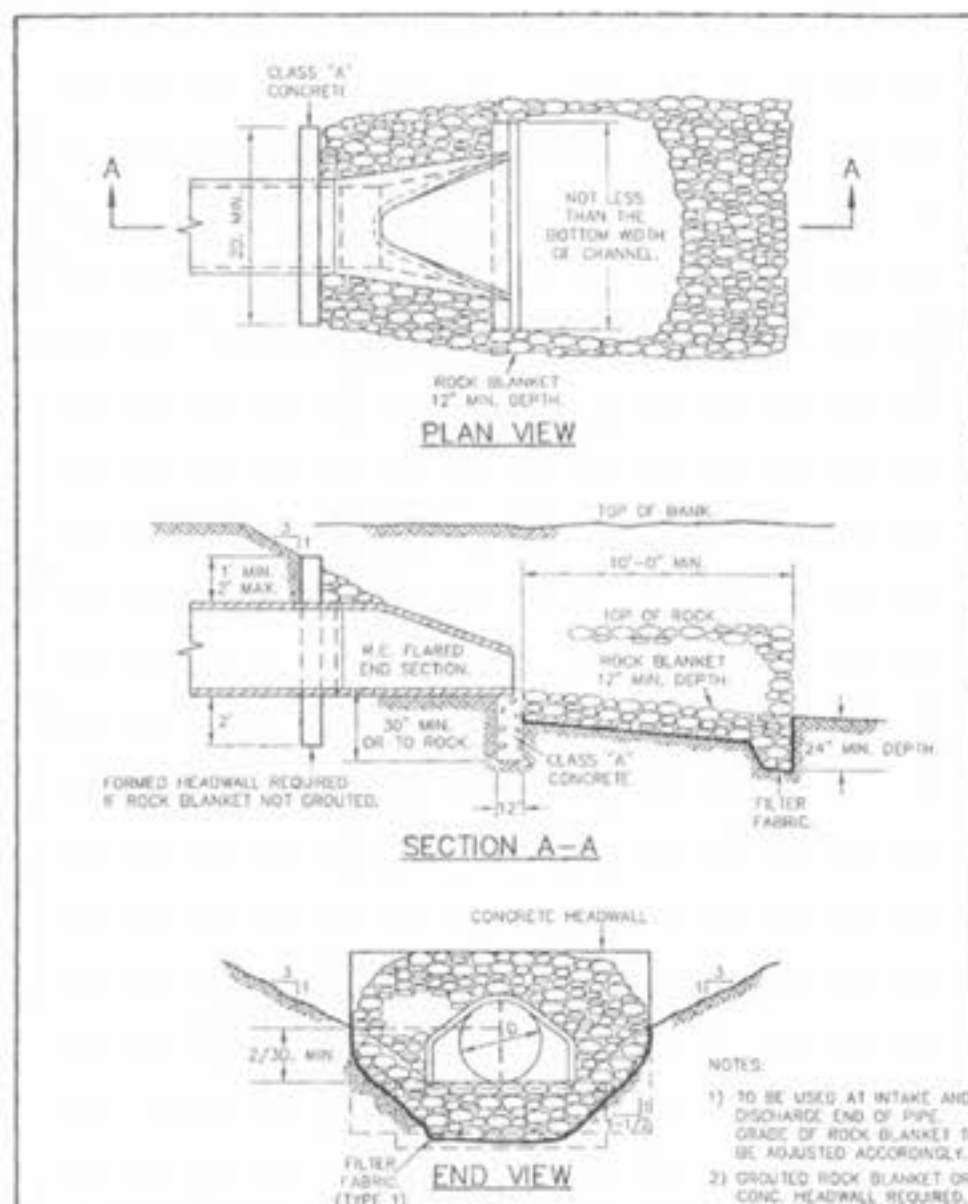
MANHOLE STEP FOR PRECAST & CAST-IN-PLACE MANHOLE
 METROPOLITAN ST. LOUIS SEWER DISTRICT
 Standard Details of Sewer Construction
 D: J.C./SAM Ch. J.C.K. 2000 SHEET 58



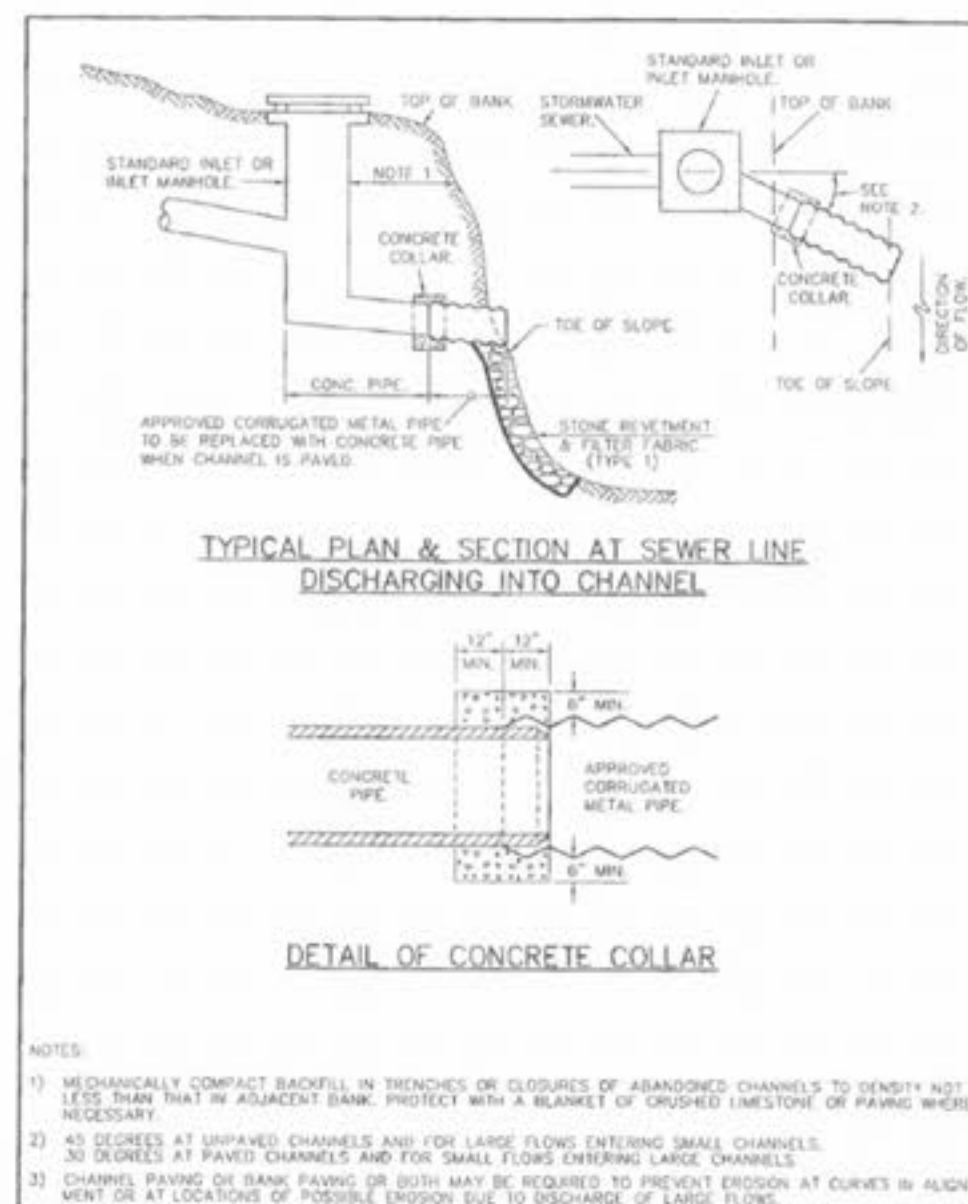
GUTTER SUMPS FOR VERTICAL CURB
 METROPOLITAN ST. LOUIS SEWER DISTRICT
 Standard Details of Sewer Construction
 D: WSH/SAM Ch. J.C.K. 2000 SHEET 59



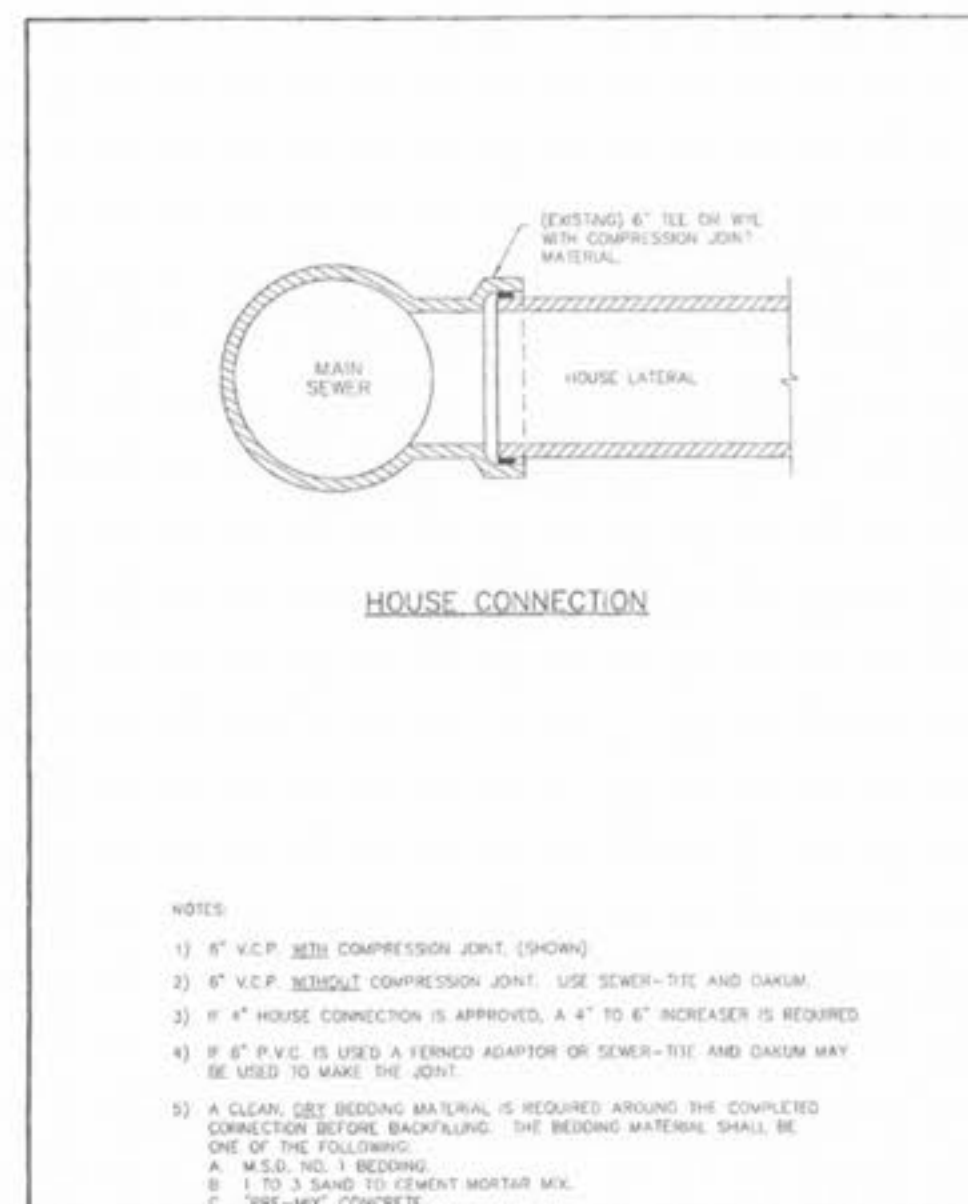
GUTTER SUMP FOR LIP CURB
 METROPOLITAN ST. LOUIS SEWER DISTRICT
 Standard Details of Sewer Construction
 D: WSH/SAM Ch. J.C.K. 2000 SHEET 60



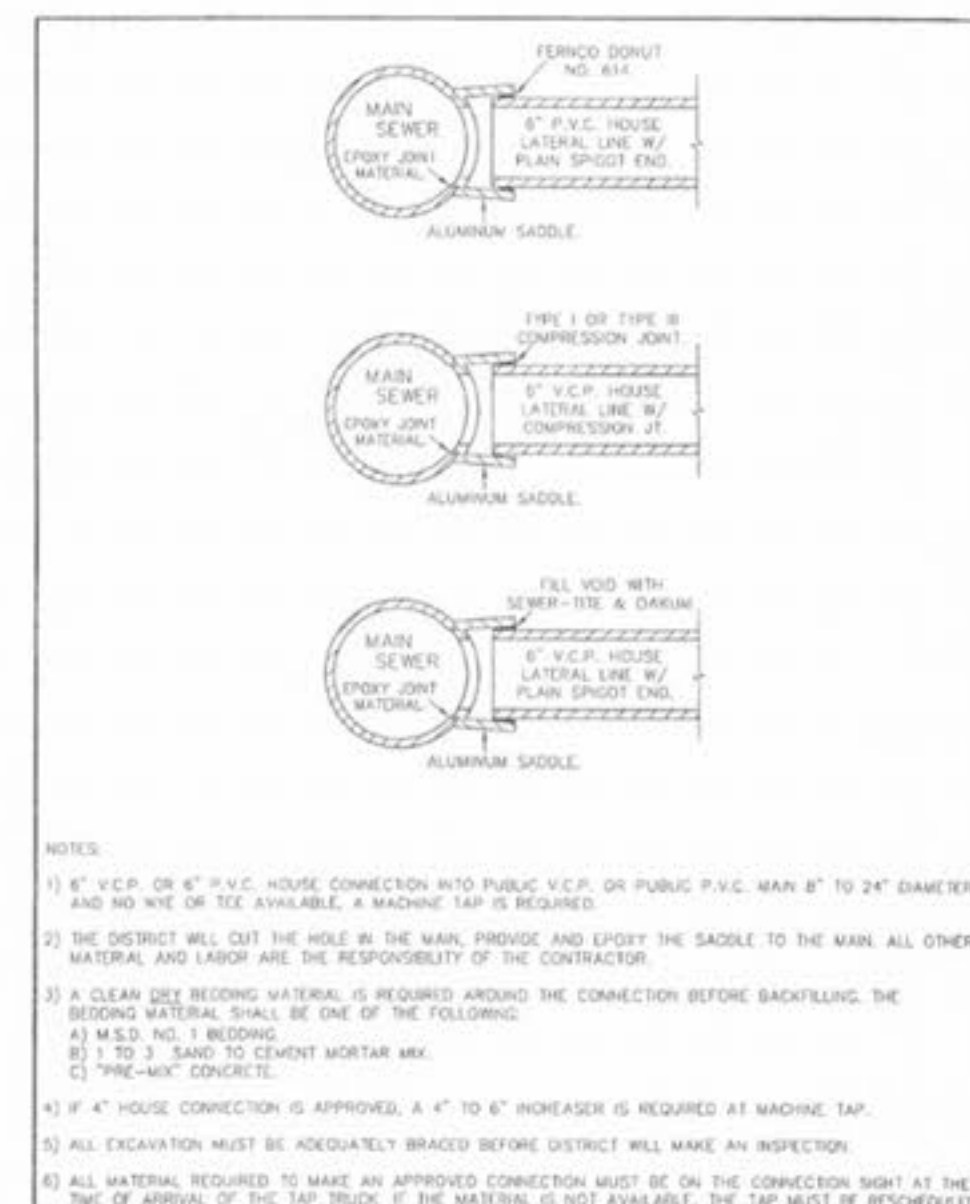
FLARED END SECTION
 METROPOLITAN ST. LOUIS SEWER DISTRICT
 Standard Details of Sewer Construction
 D: WSH/SAM Ch. J.C.K. 2000 SHEET 51



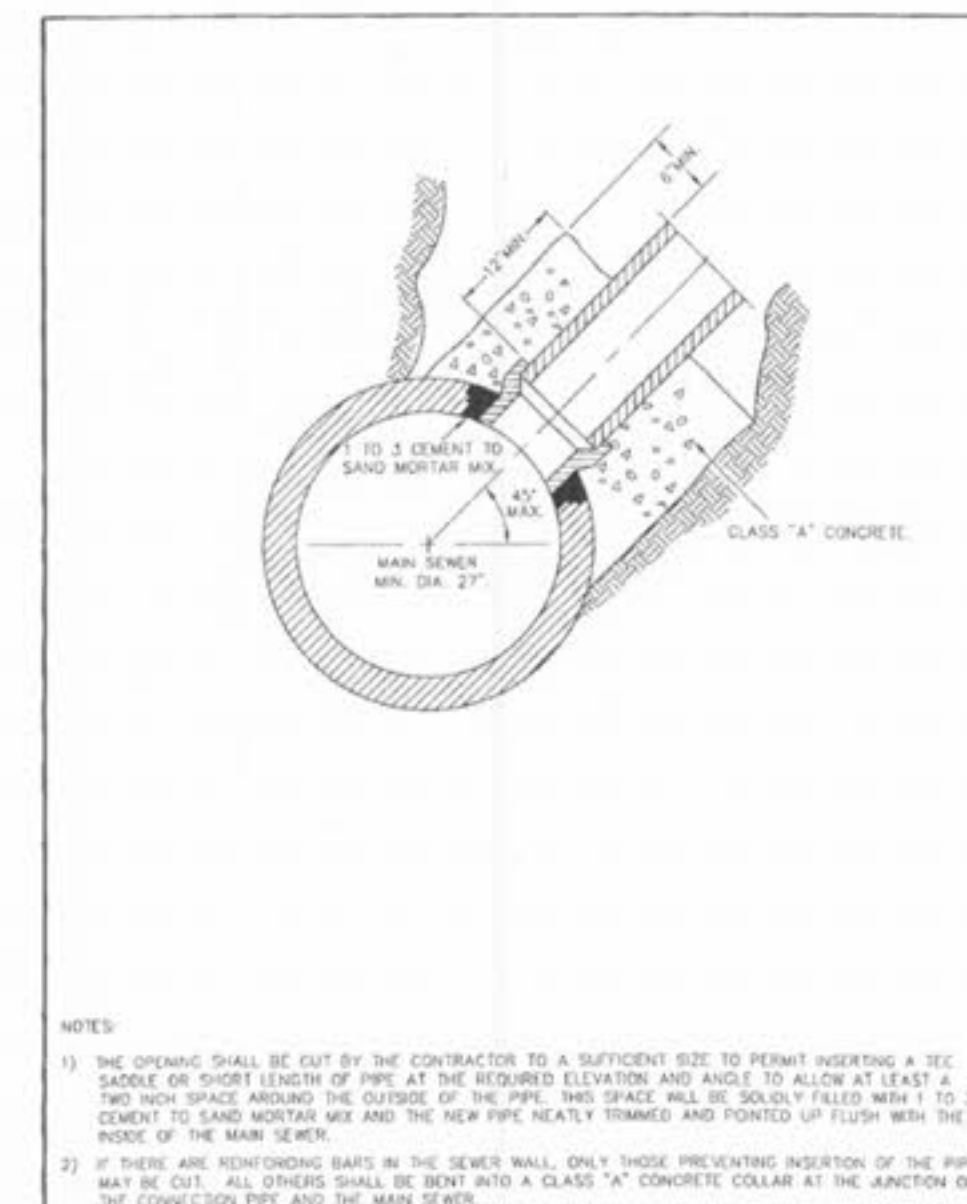
STORMWATER CHANNELS
 METROPOLITAN ST. LOUIS SEWER DISTRICT
 Standard Details of Sewer Construction
 D: WSH/SAM Ch. J.C.K. 2000 SHEET 62



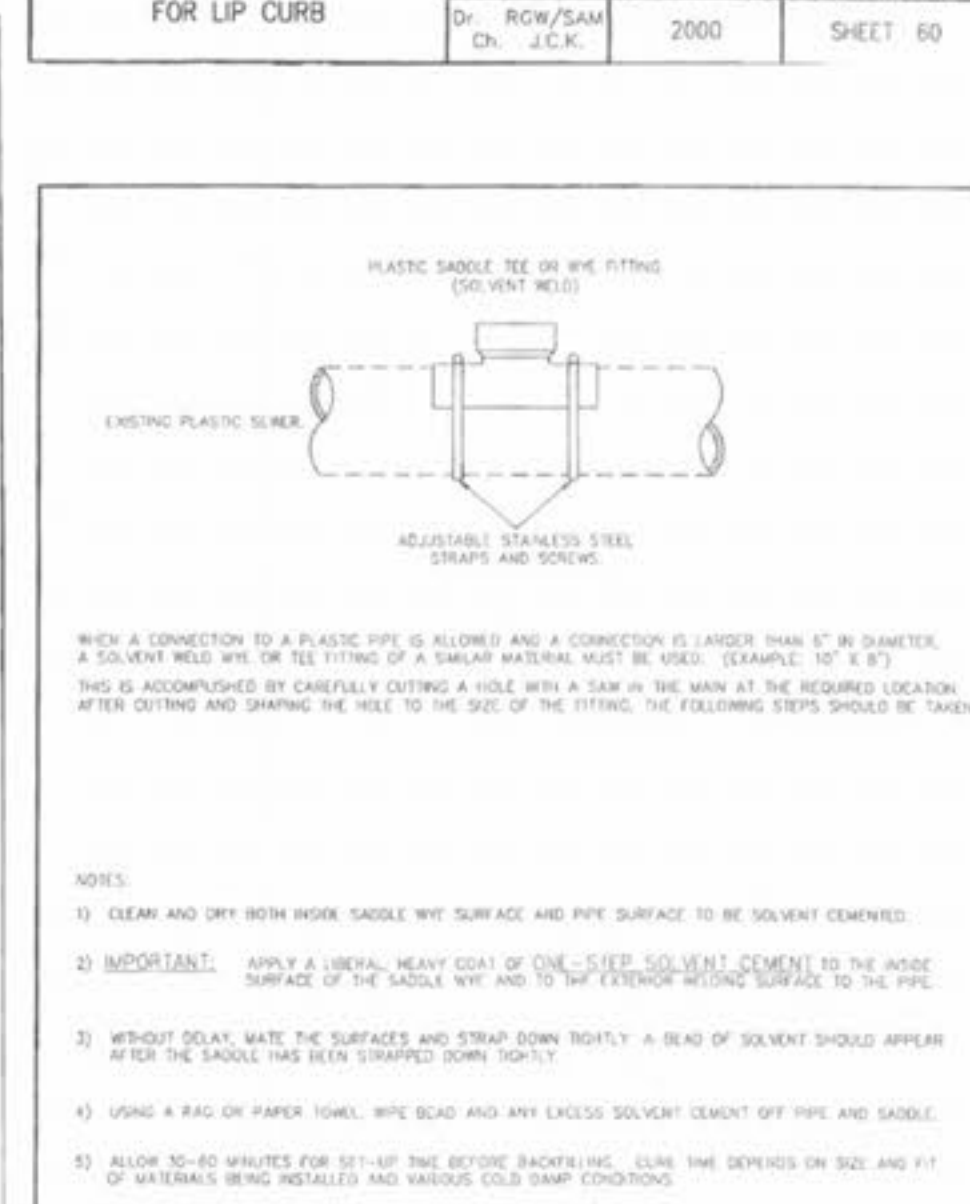
HOUSE CONNECTION TO EXISTING TEE OR WYE
 METROPOLITAN ST. LOUIS SEWER DISTRICT
 Standard Details of Sewer Construction
 D: DAB/SAM Ch. J.C.K. 2000 SHEET 63



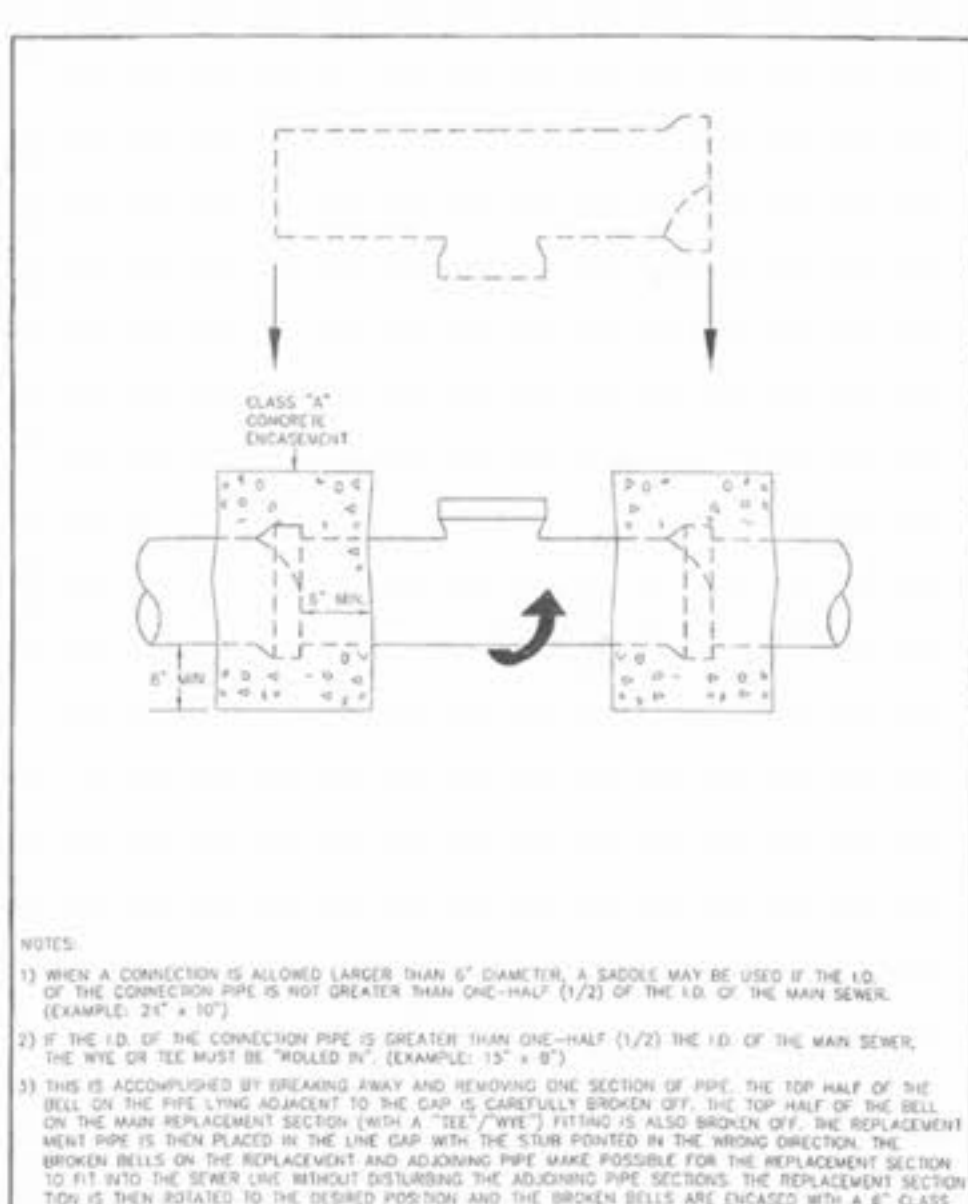
MACHINE TAP
 METROPOLITAN ST. LOUIS SEWER DISTRICT
 Standard Details of Sewer Construction
 D: WSH/SAM Ch. J.C.K. 2000 SHEET 64



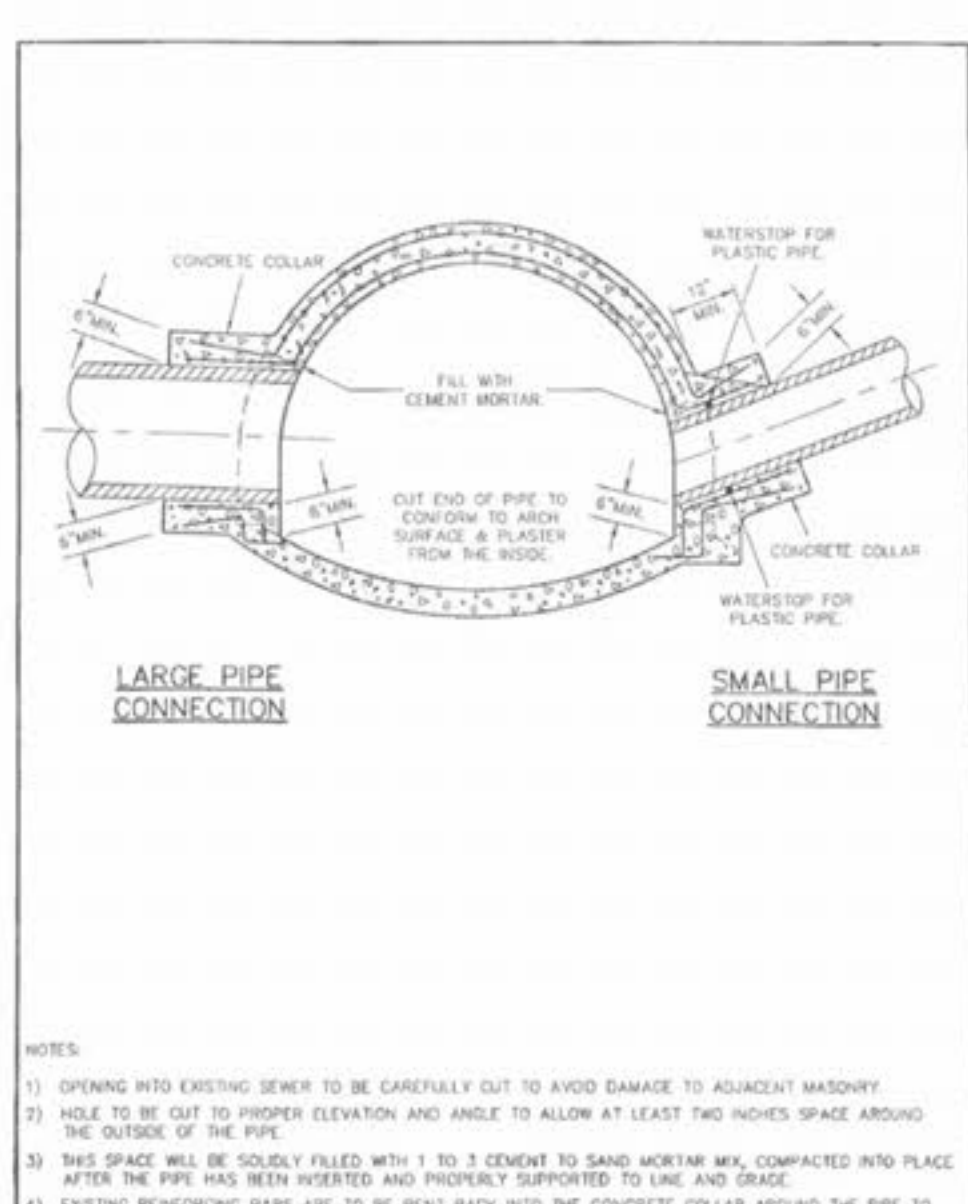
HOUSE CONNECTIONS ALLOWED BY TEE SADDLE
 METROPOLITAN ST. LOUIS SEWER DISTRICT
 Standard Details of Sewer Construction
 D: DAB/SAM Ch. J.C.K. 2000 SHEET 65



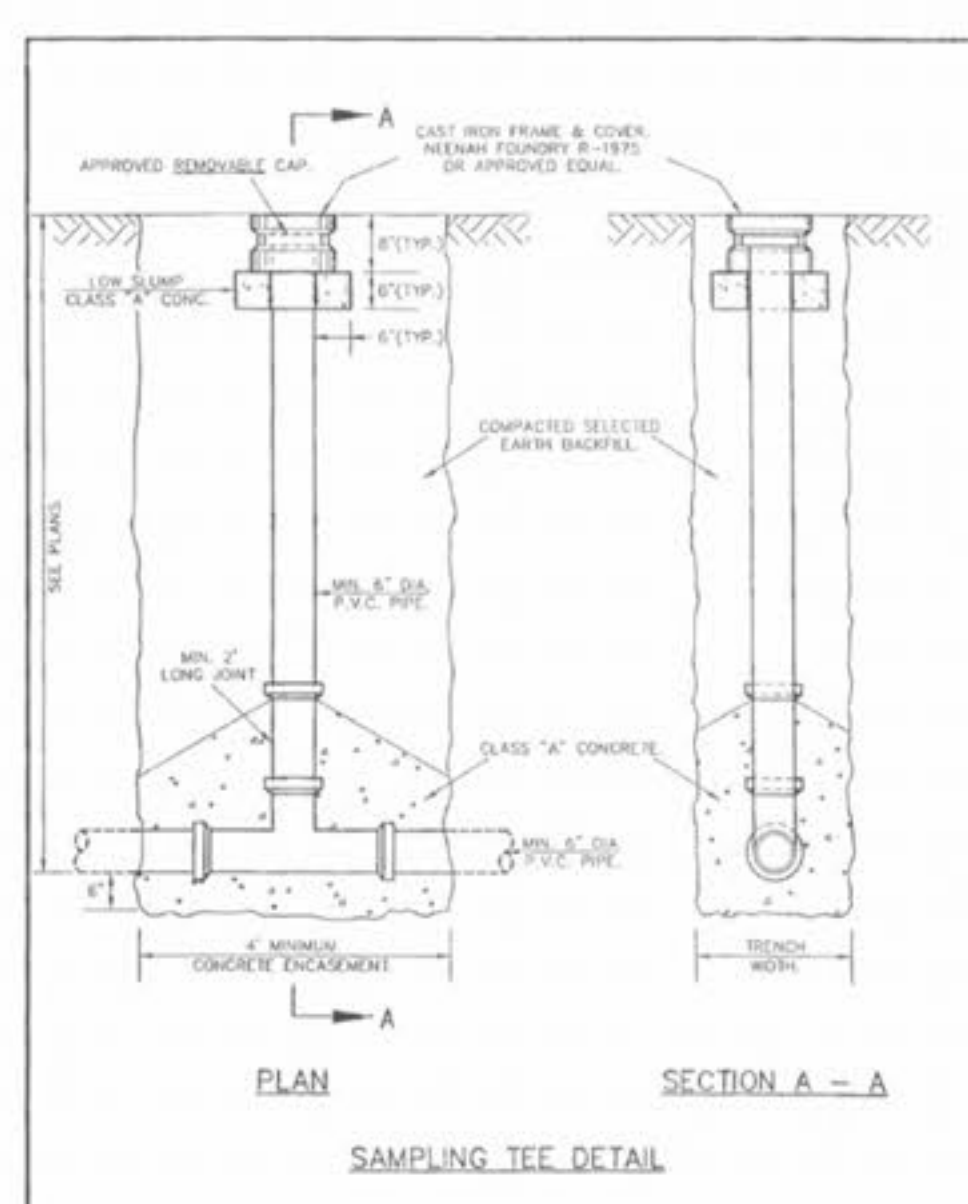
8" (& LARGER) CONNECTION TO PLASTIC MAIN
 METROPOLITAN ST. LOUIS SEWER DISTRICT
 Standard Details of Sewer Construction
 D: DAB/SAM Ch. J.C.K. 2000 SHEET 66



"ROLL-IN" (FOR EXISTING CLAY OR CONCRETE PIPE)
 METROPOLITAN ST. LOUIS SEWER DISTRICT
 Standard Details of Sewer Construction
 D: DAB/SAM Ch. J.C.K. 2000 SHEET 67



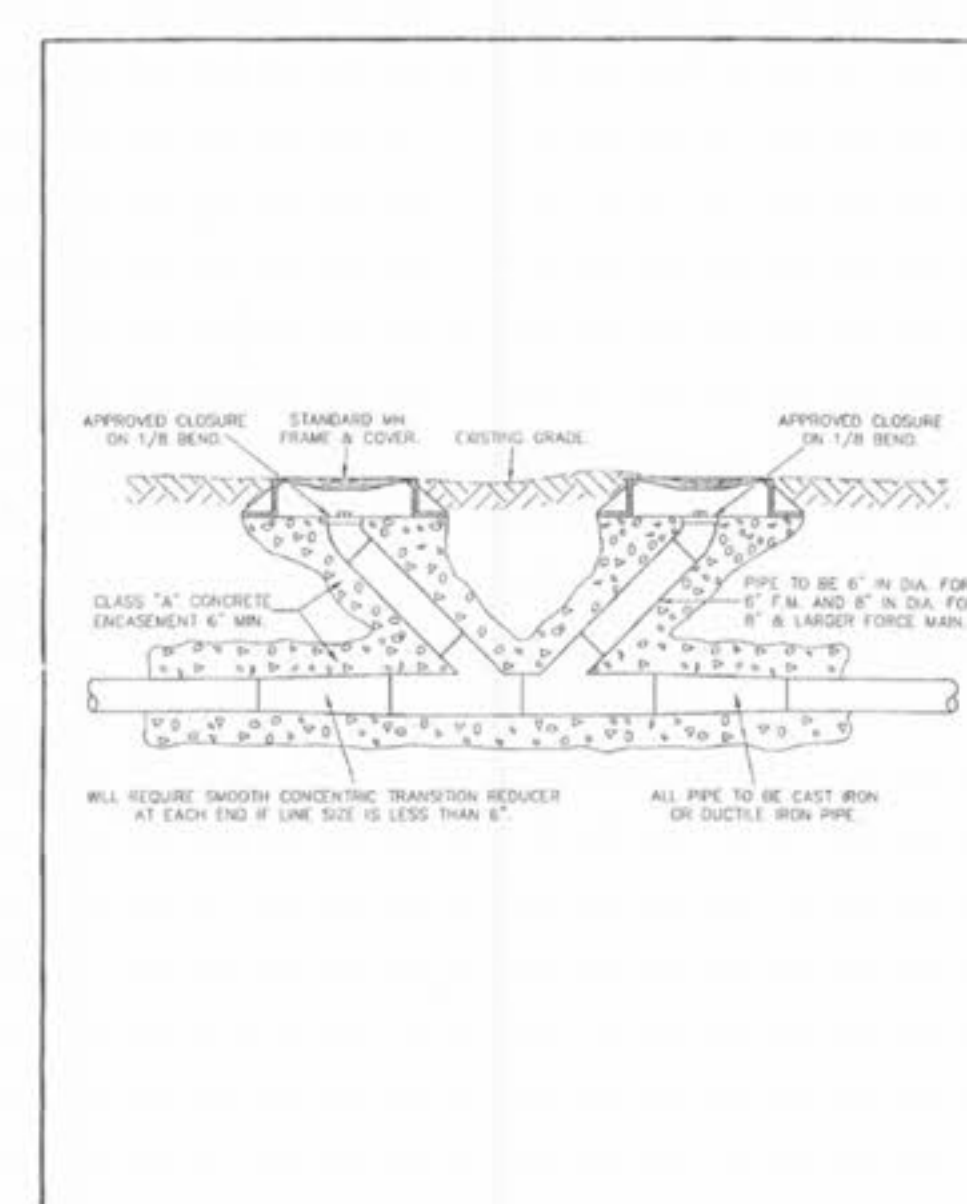
CONNECTIONS TO LARGE SEWERS
 METROPOLITAN ST. LOUIS SEWER DISTRICT
 Standard Details of Sewer Construction
 D: WSH/SAM Ch. J.C.K. 2000 SHEET 68



SAMPLING TEE
 METROPOLITAN ST. LOUIS SEWER DISTRICT
 Standard Details of Sewer Construction
 D: WSH/SAM Ch. J.C.K. 2000 SHEET 69



SIGNS
 METROPOLITAN ST. LOUIS SEWER DISTRICT
 Standard Details of Sewer Construction
 D: WSH/SAM Ch. J.C.K. 2000 SHEET 70



FORCE MAIN CLEANOUT (6" DIA. & SMALLER)
 METROPOLITAN ST. LOUIS SEWER DISTRICT
 Standard Details of Sewer Construction
 D: WSH/SAM Ch. J.C.K. 2000 SHEET 71

