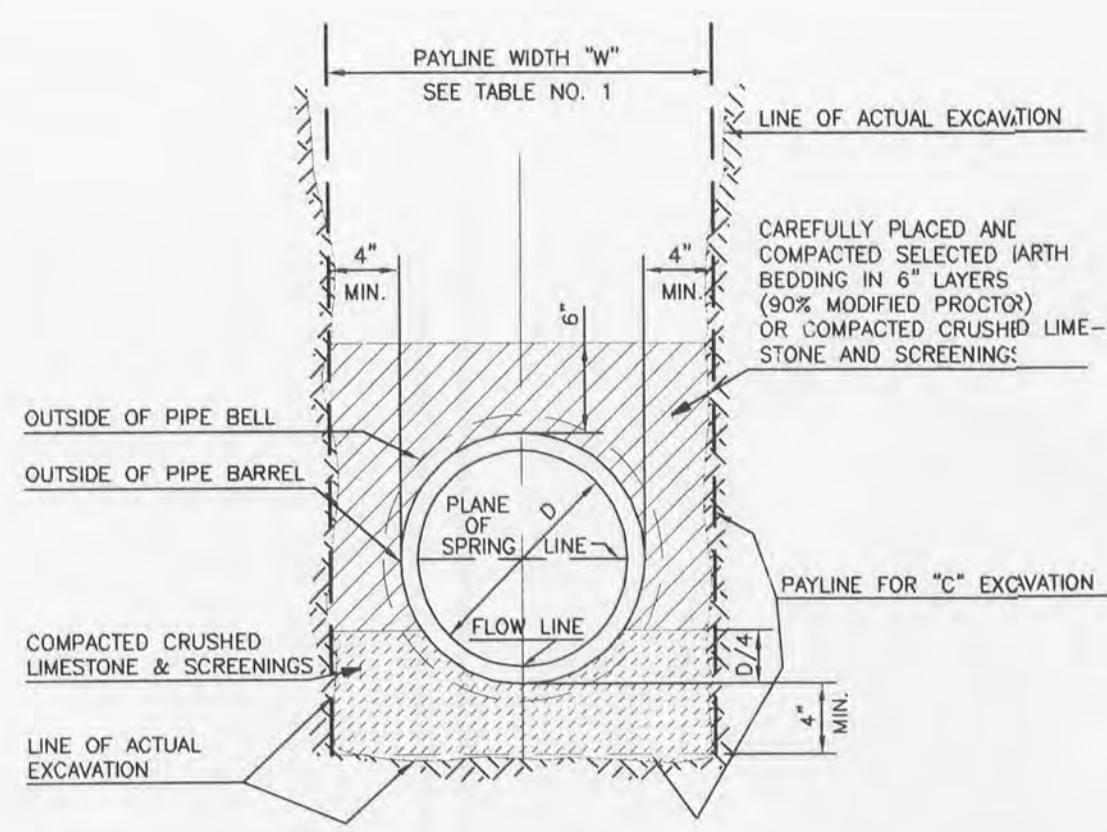
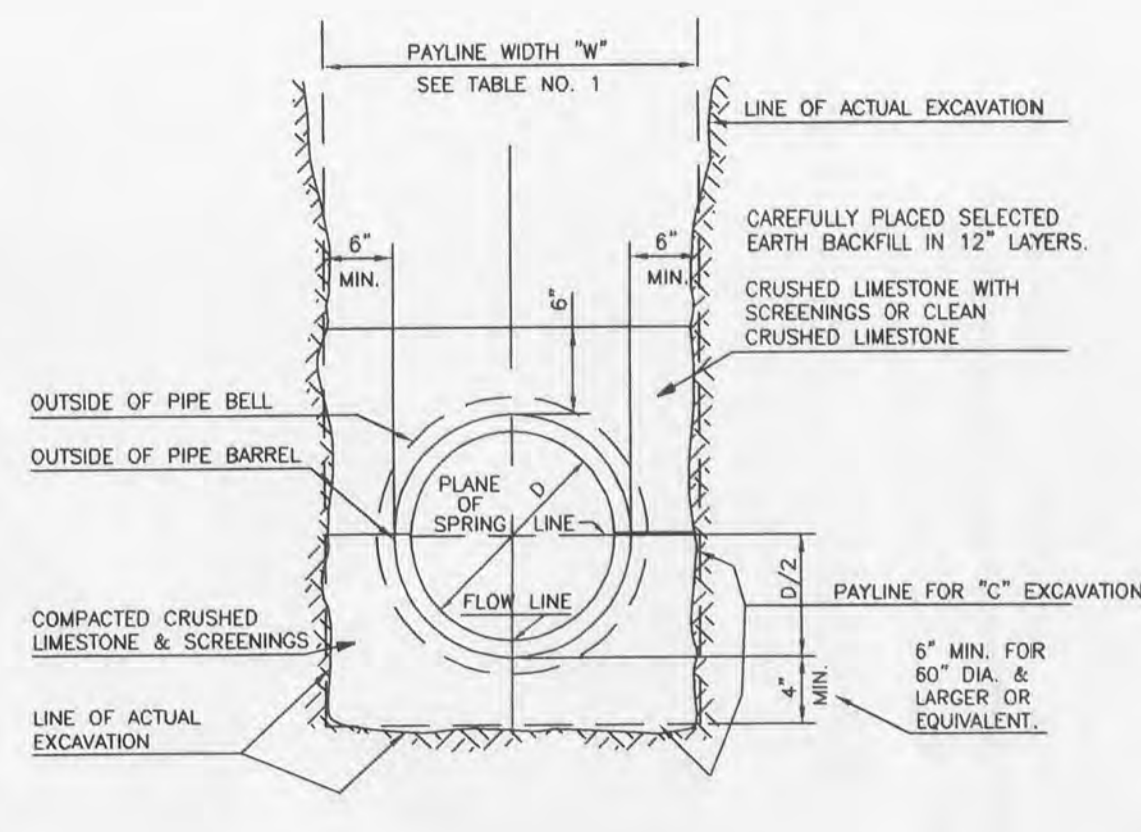


ROUND PIPE				HORIZONTAL ELLIPTICAL PIPE			
Inside Diameter of Pipe (Inches)	Payline Width of Trench (Feet)	Payline Width of Trench (Feet)	Pay-volume (cu. ft. per ft. of Pipe)	Inside Diameter of Pipe (Inches)	Payline Width of Trench (Feet)	Payline Width of Trench (Feet)	Pay-volume (cu. ft. per ft. of Pipe)
4	28	2.33	3.20				
6	28	2.33	3.46				
8	28	2.33	3.70				
10	28	2.33	3.86				
12	28	2.33	3.98				
15	32	2.67	4.88				
18	35	2.92	5.83	14 X 23	41	3.42	5.94
21	39	3.25	6.81				
24	42	3.50	7.39	19 X 30	49	4.08	7.68
27	45	3.75	8.18	22 X 34	53	4.42	8.61
30	49	4.08	9.30	24 X 38	58	4.83	9.70
33	53	4.42	10.53	27 X 42	62	5.17	10.71
36	56	4.67	11.43	29 X 45	66	5.50	11.72
39	60	5.00	12.45	32 X 49	71	5.92	13.14
42	63	5.25	13.38	34 X 53	75	6.25	14.05
48	70	5.83	15.67	38 X 60	83	6.92	16.18
54	77	6.42	18.10	43 X 68	92	7.57	18.81
60	84	7.00	20.73	48 X 76	101	8.42	21.98
66	91	7.58	23.45	53 X 83	109	9.08	24.38
72	98	8.17	26.37	58 X 91	118	9.83	27.45
78	105	8.75	29.39	63 X 98	126	10.50	30.50
84	112	9.33	32.57	68 X 106	135	11.25	33.91
90	119	9.92	35.90	72 X 113	143	11.92	36.99
96	126	10.50	39.37	77 X 121	152	12.67	40.68
102	133	11.08	42.98	82 X 128	160	13.33	44.45
108	140	11.67	46.75	87 X 136	168	14.00	47.79
114	147	12.25	50.66	92 X 143	176	14.67	51.70
120	154	12.83	54.72	97 X 151	185	15.42	56.01
126	161	13.42	58.92				
132	168	14.00	63.27	108 X 168	202	16.83	64.48
144	182	15.17	72.40	118 X 180	218	18.17	73.58

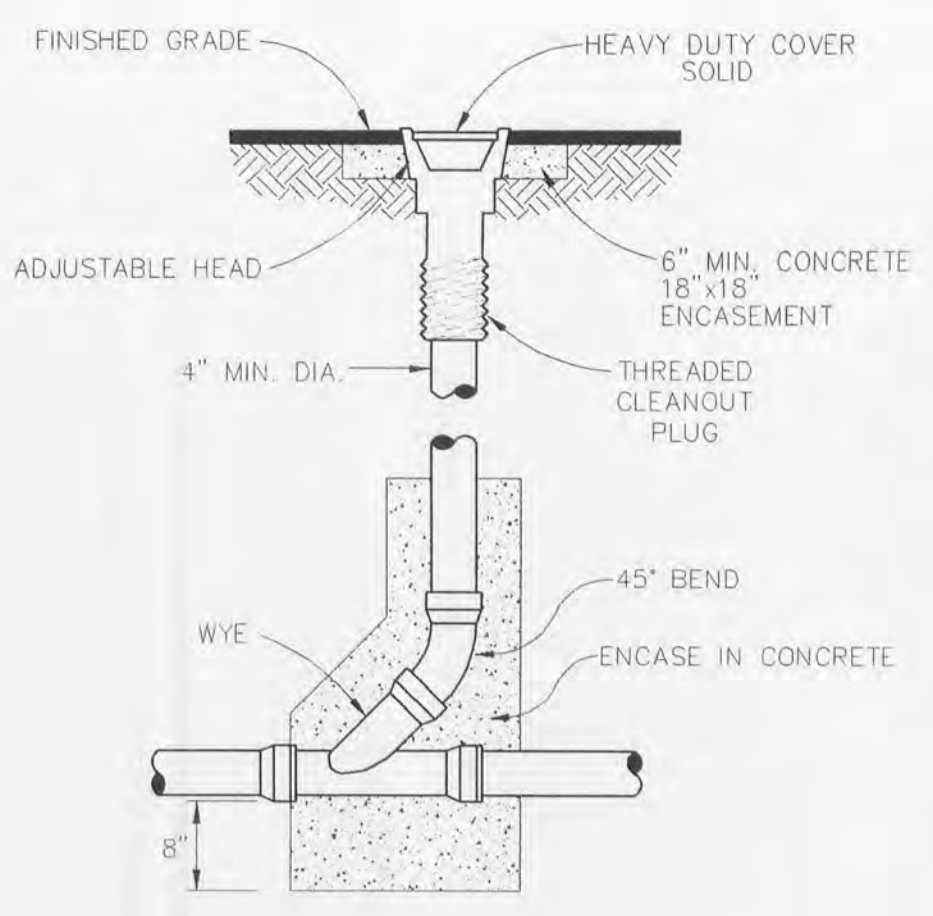
TABLE NO. 1  
PAYLINE WIDTHS OF TRENCH AND  
PAY-QUANTITIES OF CONCRETE



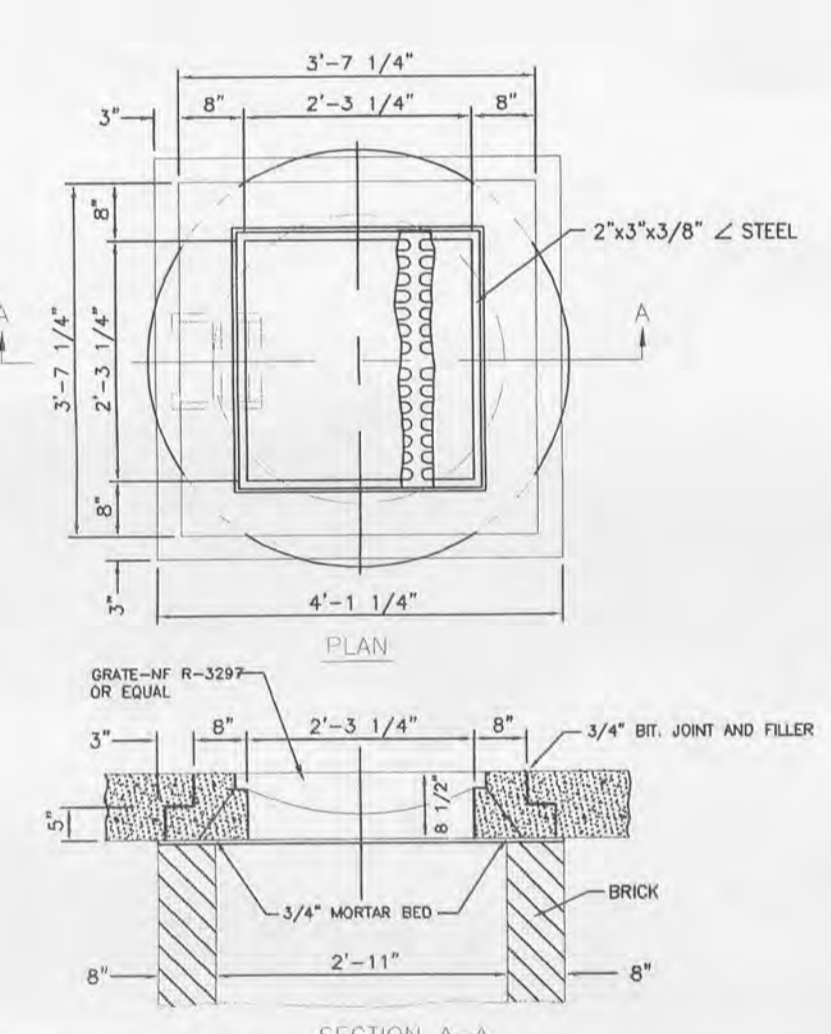
PIPE BEDDING CLASS "C"  
(FOR ALL PIPE EXCEPT  
REINFORCED CONCRETE PIPE)



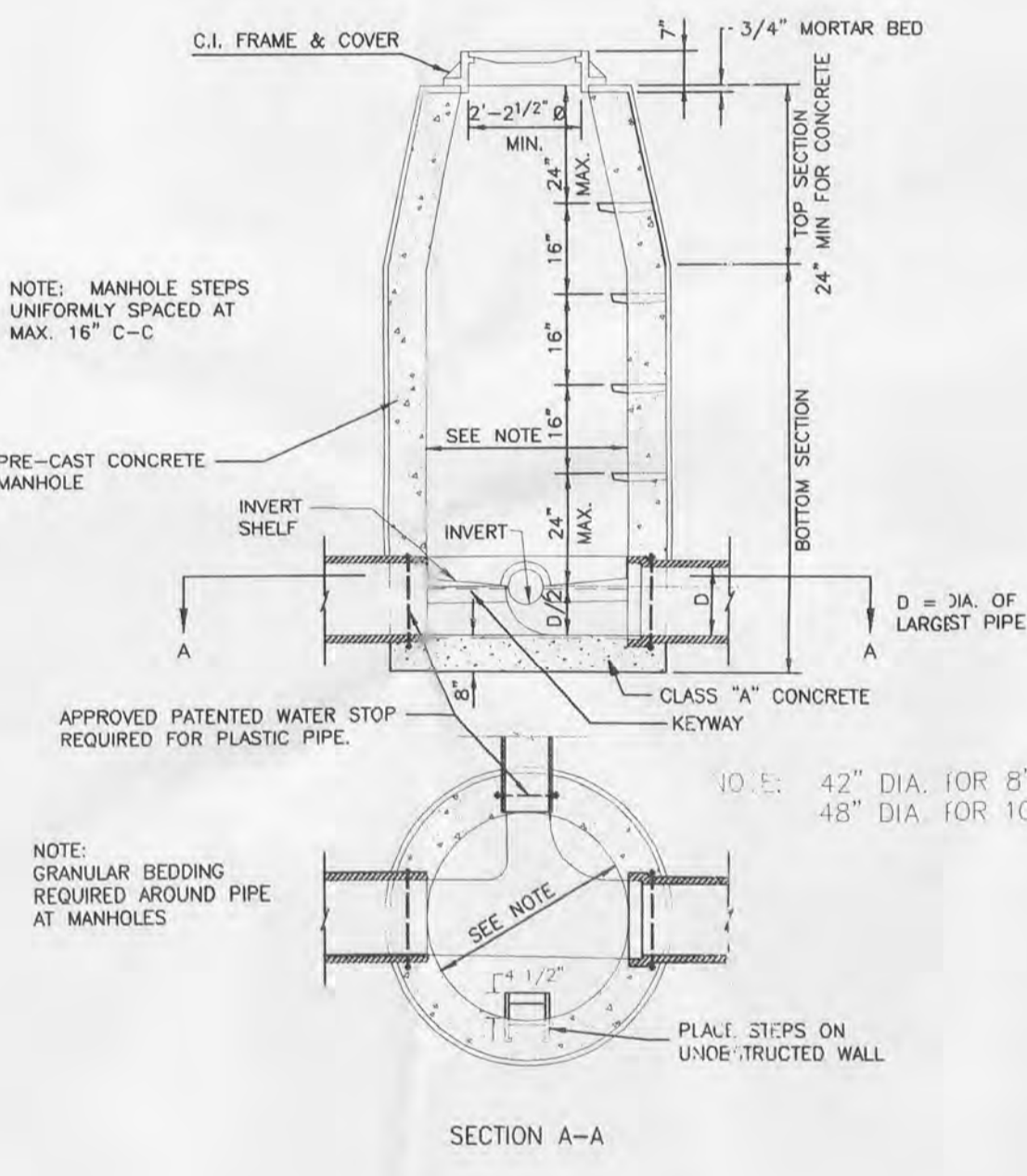
PIPE BEDDING CLASS "C"  
(MODIFIED FOR REINFORCED  
CONCRETE PIPE)



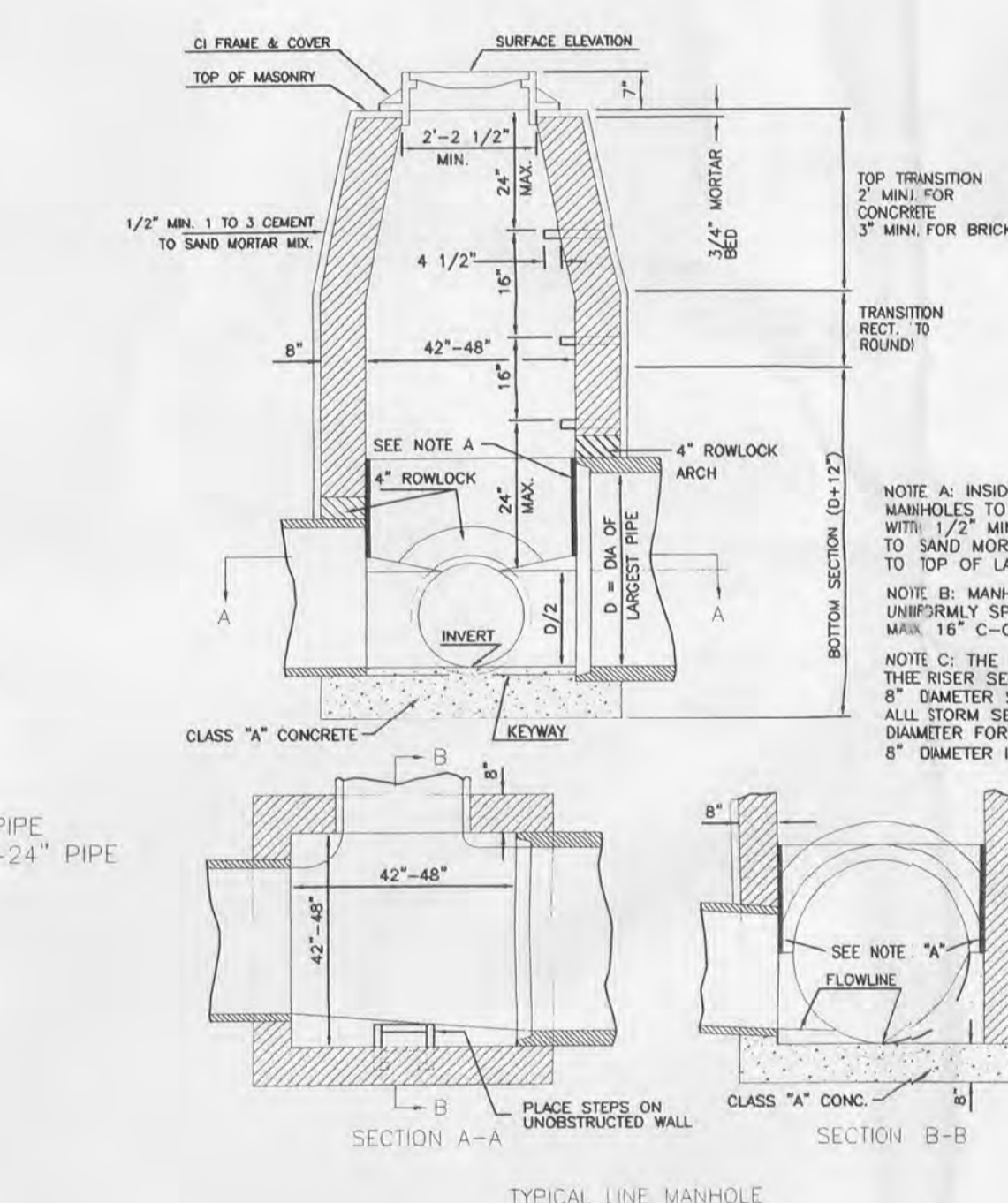
CLEANOUT DETAIL  
N.T.S.



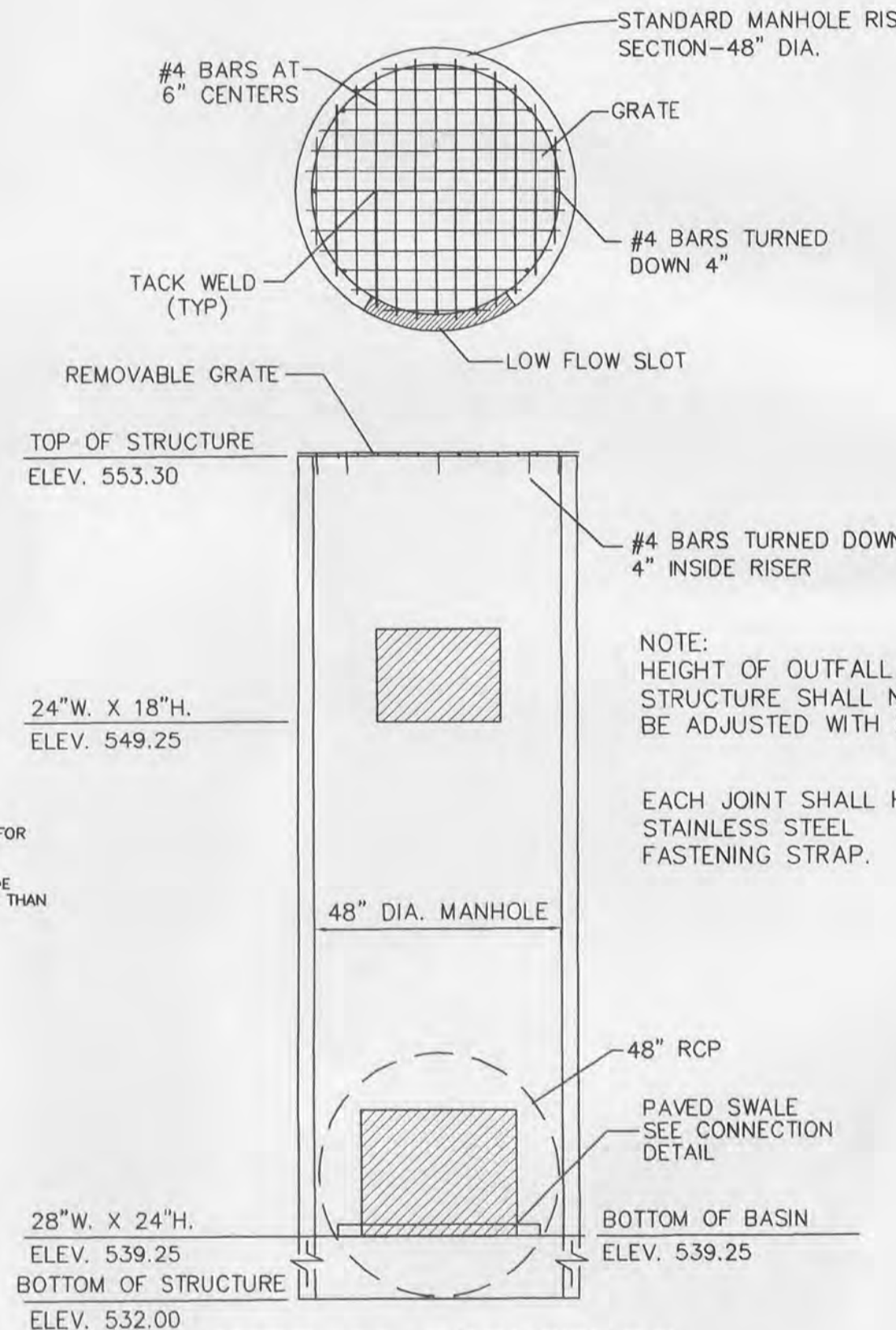
2 GRATE INLET



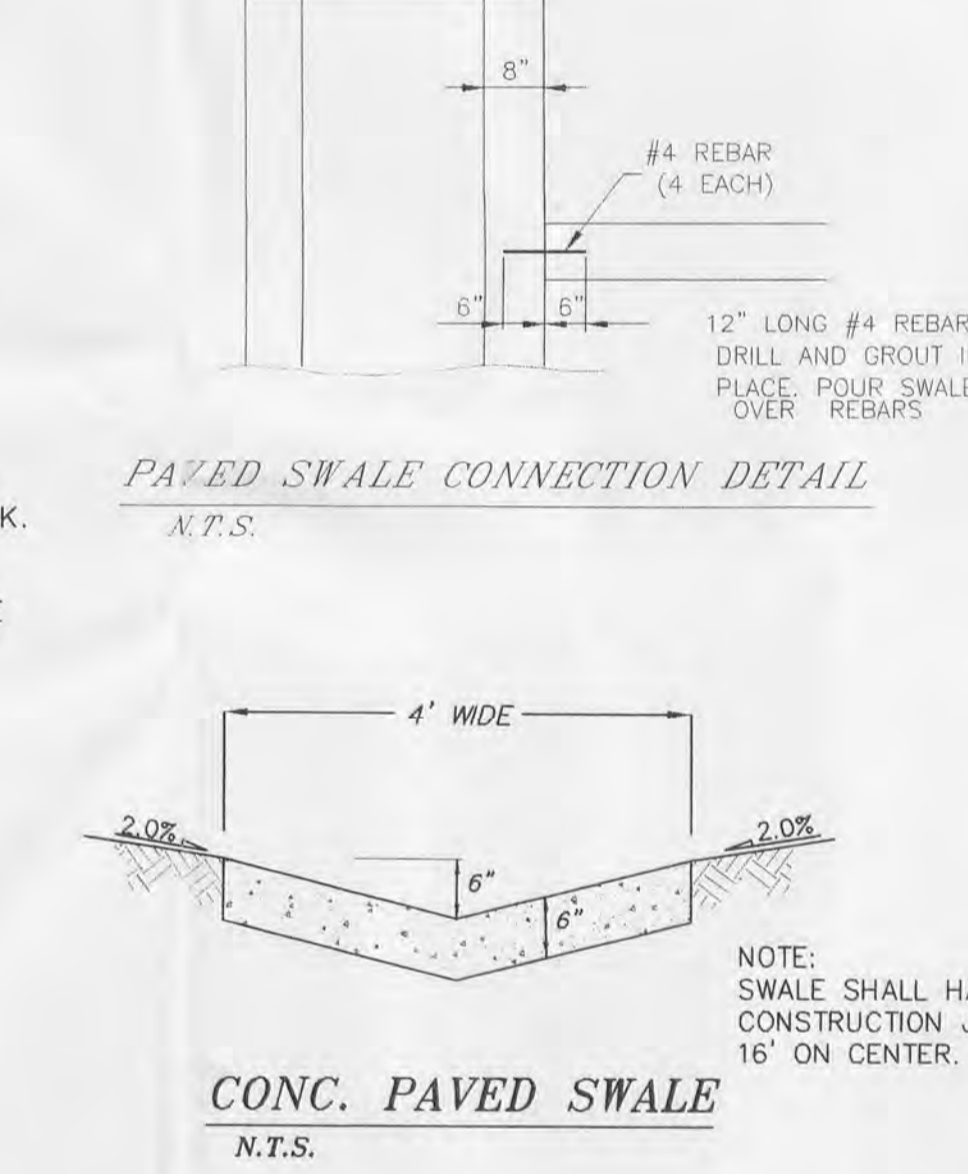
LINE MANHOLE  
PIPE SEWERS 8"-24" DIA.



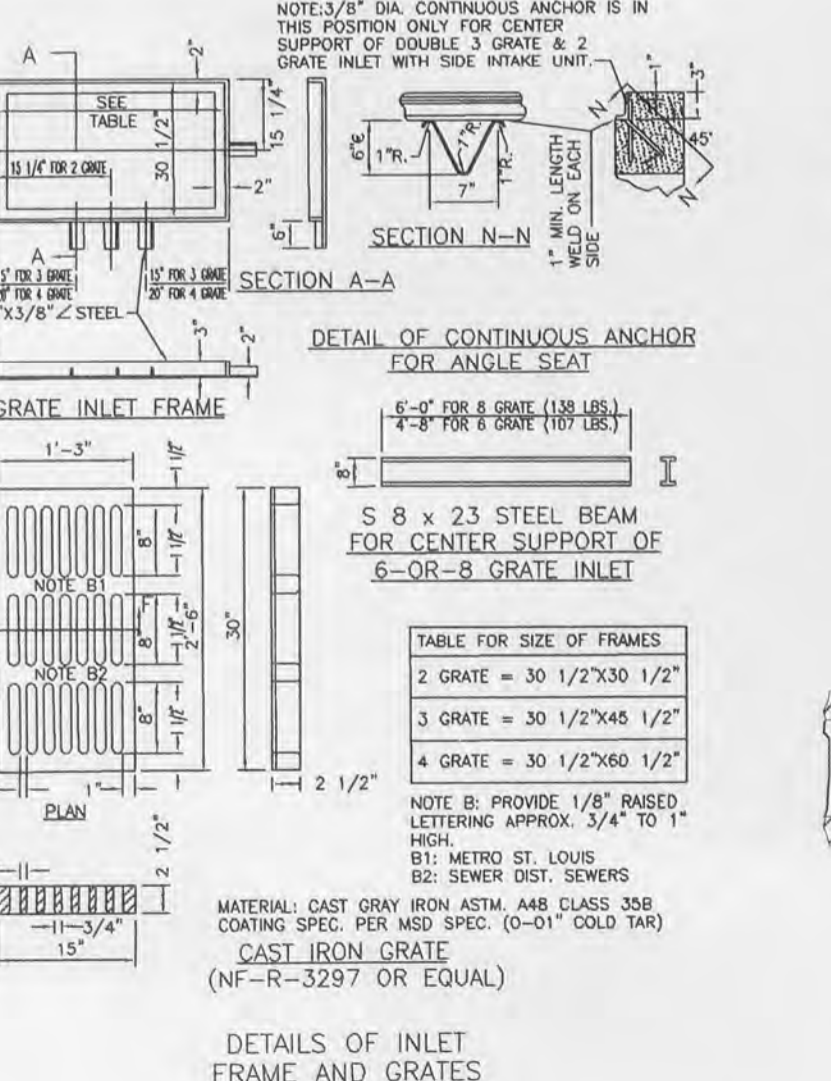
TYPICAL LINE MANHOLE  
ON PIPE SEWER 27" THRU  
42" DIAMETER



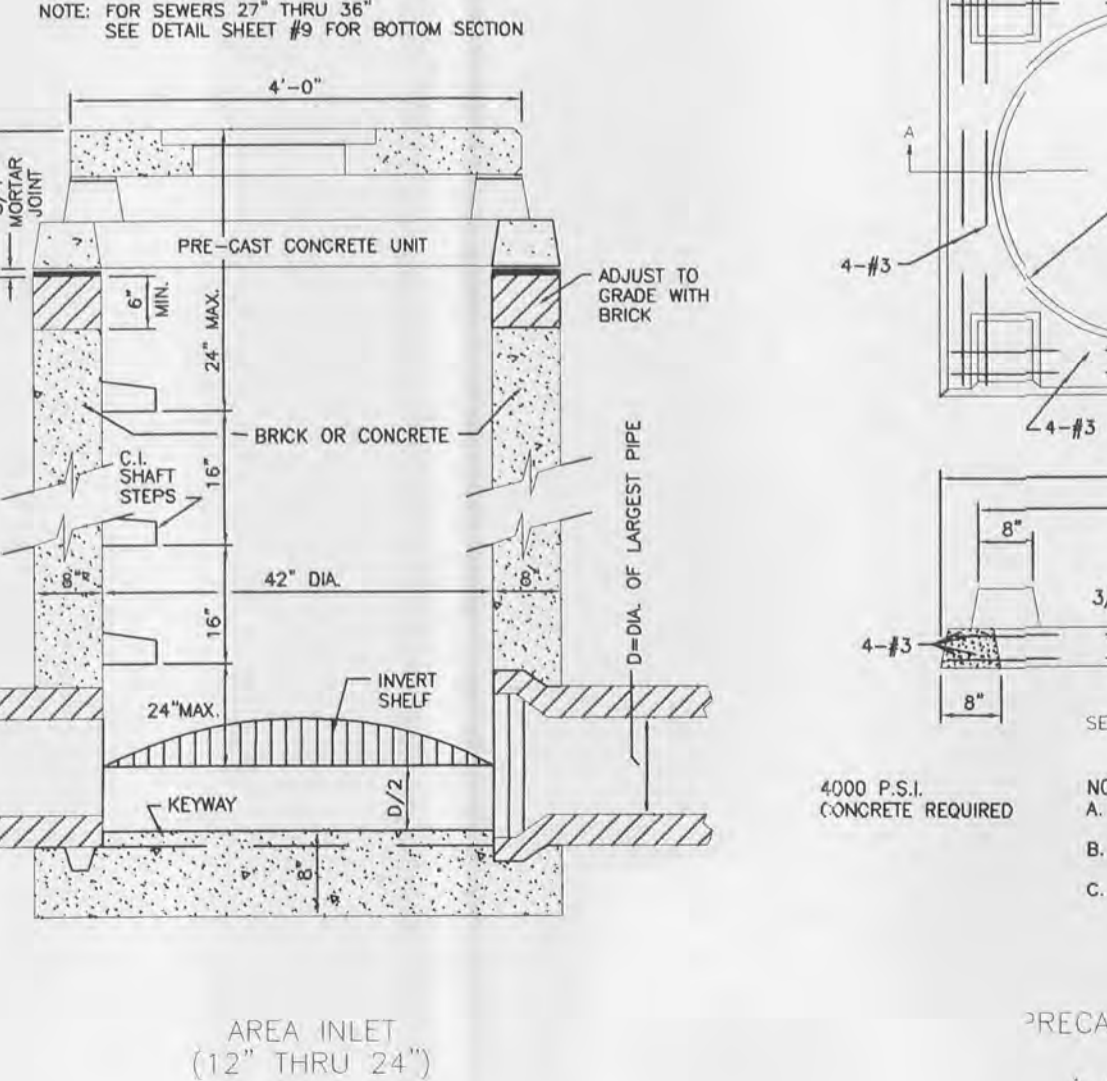
OUTFALL STRUCTURE  
N.T.S.



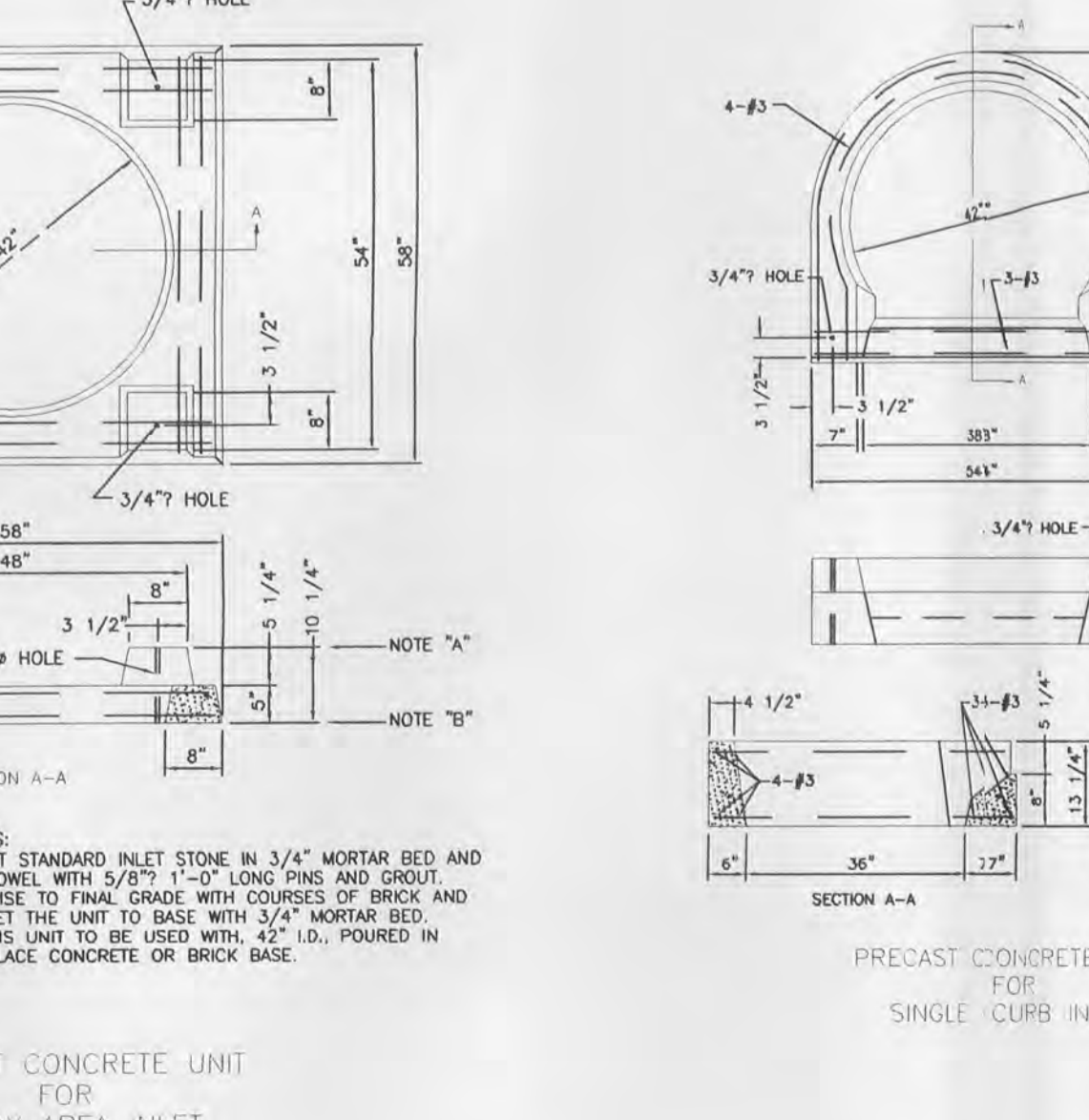
CONC. PAVED SWALE  
N.T.S.



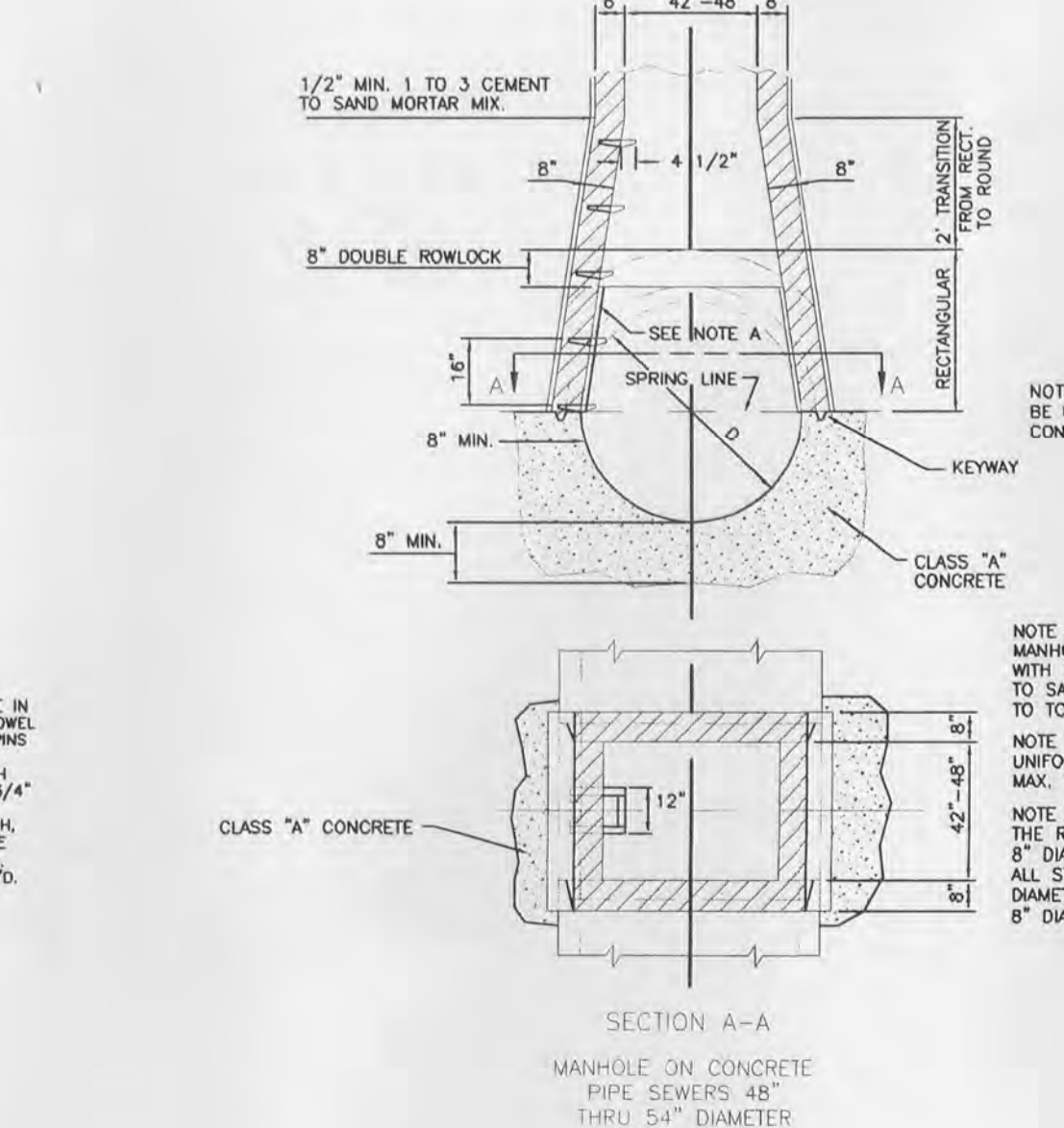
DETAILS OF INLET  
FRAME AND GRATES



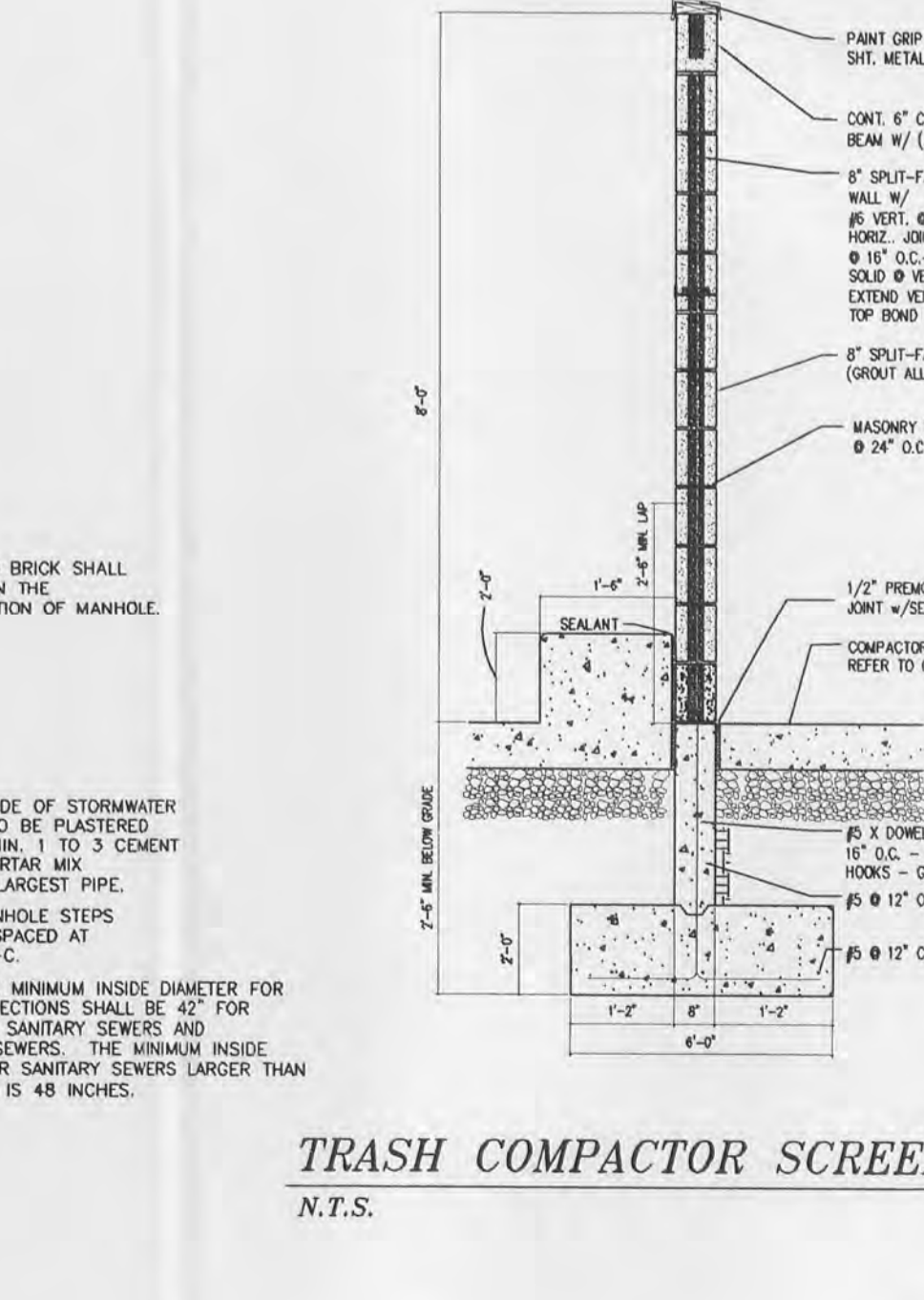
PRECAST CONCRETE UNIT  
FOR  
4-WAY AREA INLET



PRECAST CONCRETE UNIT  
FOR  
SINGLE CURB INLET



MANHOLE ON CONCRETE  
PIPE SEWERS 48"  
THRU 54" DIAMETER  
(MANHOLE 1)



TRASH COMPACTOR SCREENWALL  
N.T.S.

**PICKETT RAY & SILVER**  
333 Mid Rivers Mall Drive  
St. Peters, MO 65376  
Phone (636) 397-1211  
Fax (636) 397-1104

**CIVIL ENGINEERS  
PLANNERS  
LAND SURVEYORS**

**MEGAN CROSSING  
MISSOURI STATE HIGHWAY K  
OF FALLON, MISSOURI**

Prepared For:  
**G. J. GREWE, INC.**

9109 WATSON ROAD  
ST. LOUIS, MO 63114  
(314) 962-6630

REVISIONS	DATE	PER CITY OF OF FALLON	PER CITY OF OF FALLON	PER DEVELOPER
NO.	05-28-04			
	07-12-04			
	08-17-04			
	01-21-05			

**ENGINEERS AUTHENTICATION**  
The responsibility for professional engineering liability on this project is hereby limited to the seal of plans authorized by the seal, signature, and date hereunder attached. Responsibility is disclaimed for all other engineering plans involved in this project and specifically excludes revisions after the date unless reauthenticated.

**PICKETT, RAY & SILVER, INC.**  
ERIC SCOTT KIRCHNER  
E-2001004618  
1/24/2005

DRAWN D.STOSZ	DATE 04-27-04
CHECKED D.BYRD	DATE 04-27-04
PROJECT # 03043.GJGR.OOC	TASK # 1 FIELD BOOK

MEGAN CROSSING  
CONSTRUCTION DETAILS

SHEET 9 OF 13

FILE #2002.04

© Copyright 2003 by Pickett, Ray & Silver Inc.