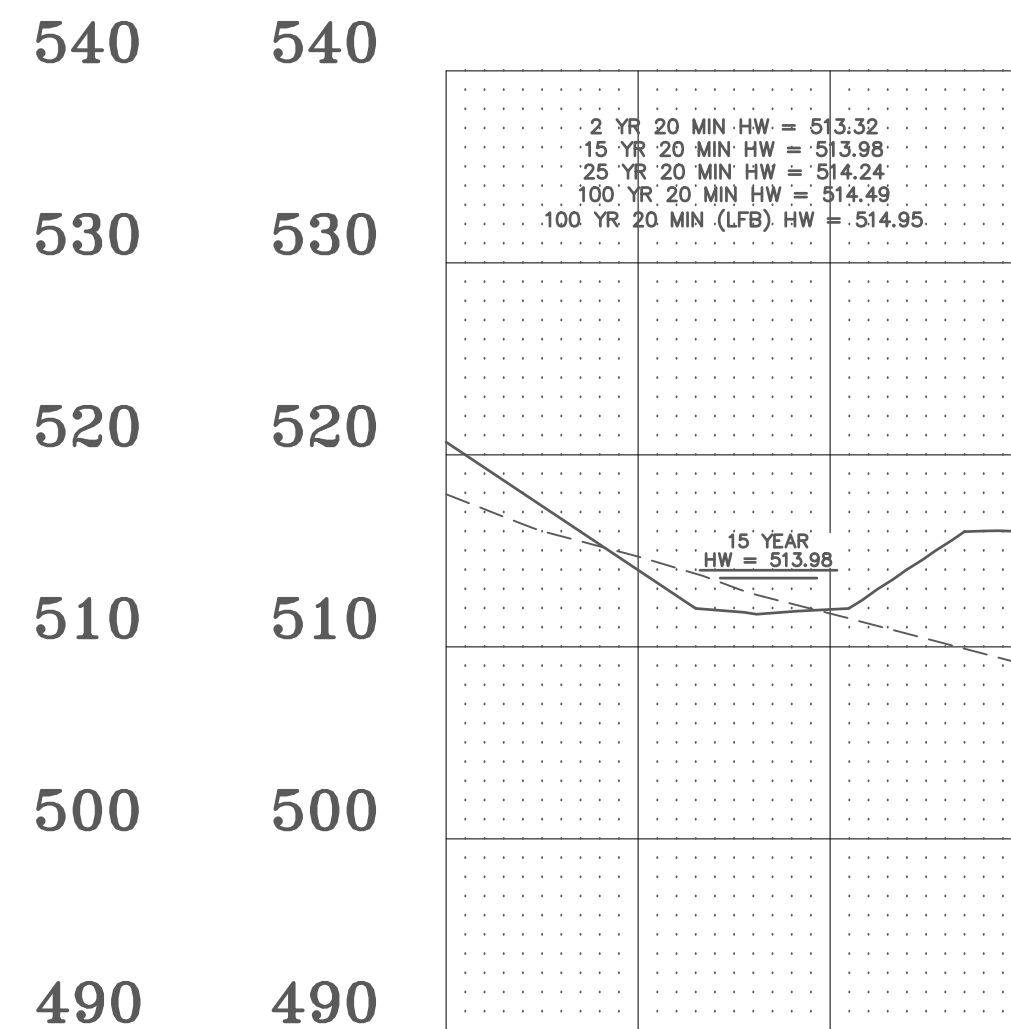


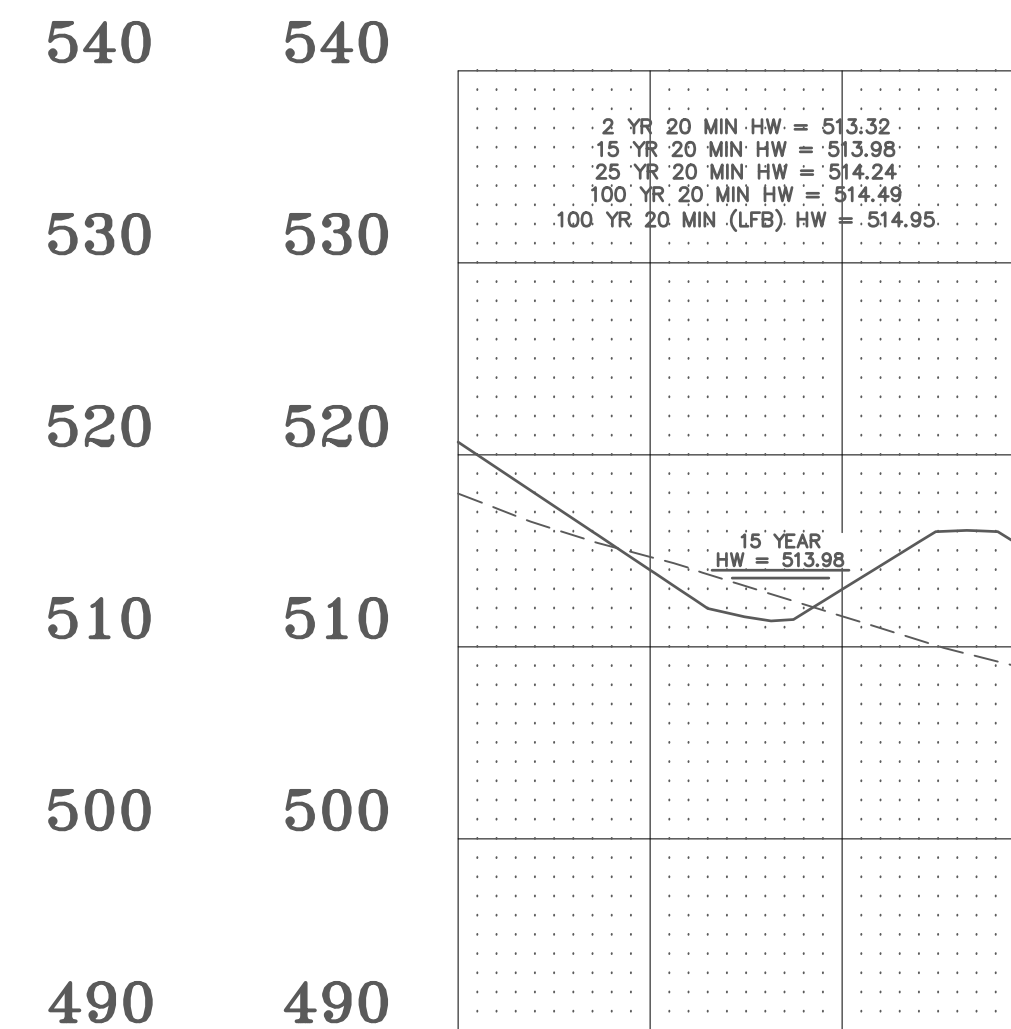
**Detention Basin A-A**

HORIZONTAL SCALE: 1" = 20'  
VERTICAL SCALE: 1" = 10'



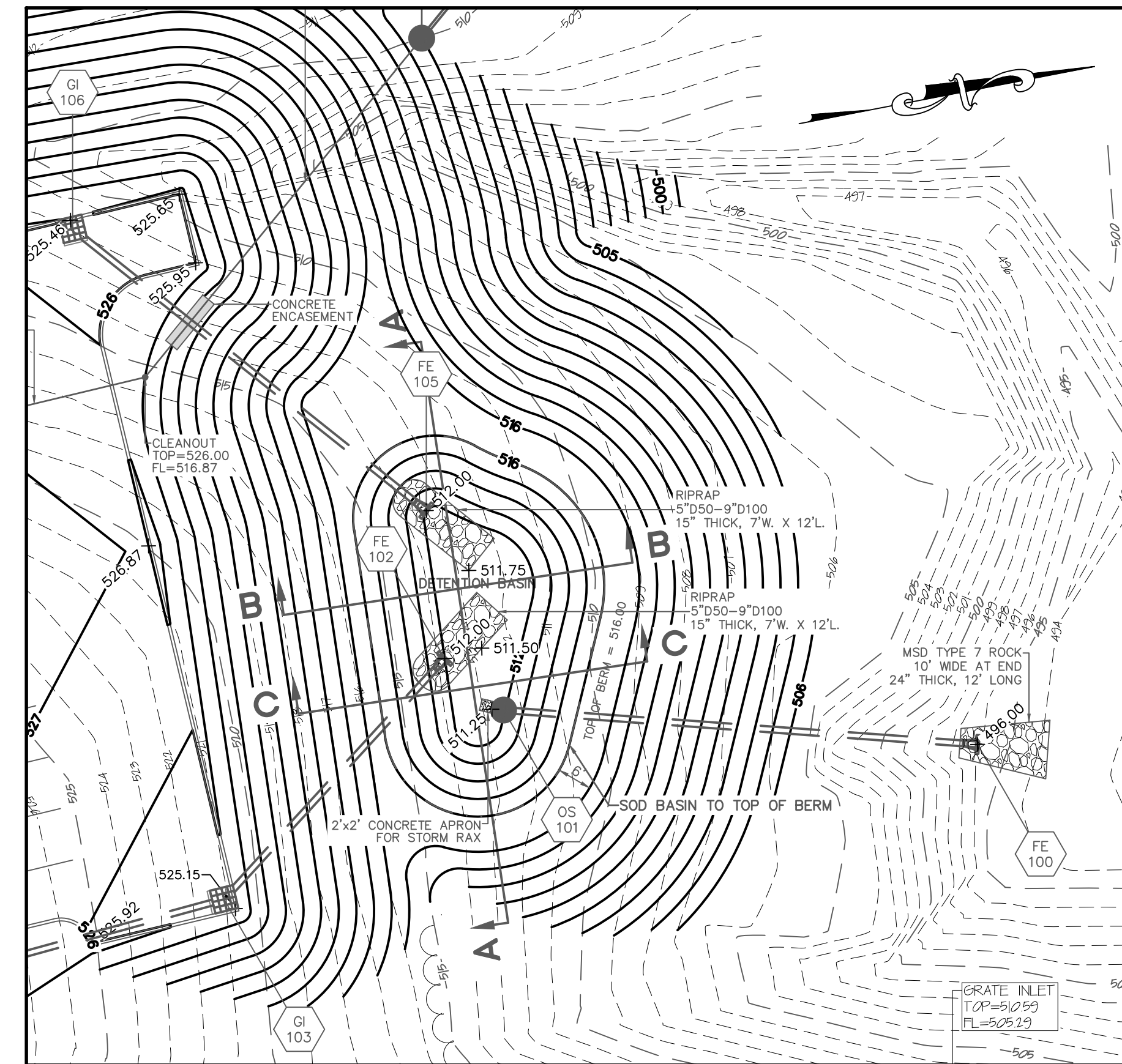
**Detention Basin B-B**

HORIZONTAL SCALE: 1" = 20'  
VERTICAL SCALE: 1" = 10'



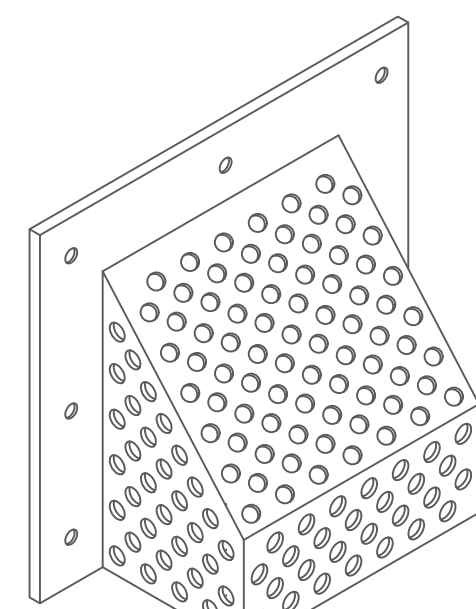
**Detention Basin C-C**

HORIZONTAL SCALE: 1" = 20'  
VERTICAL SCALE: 1" = 10'

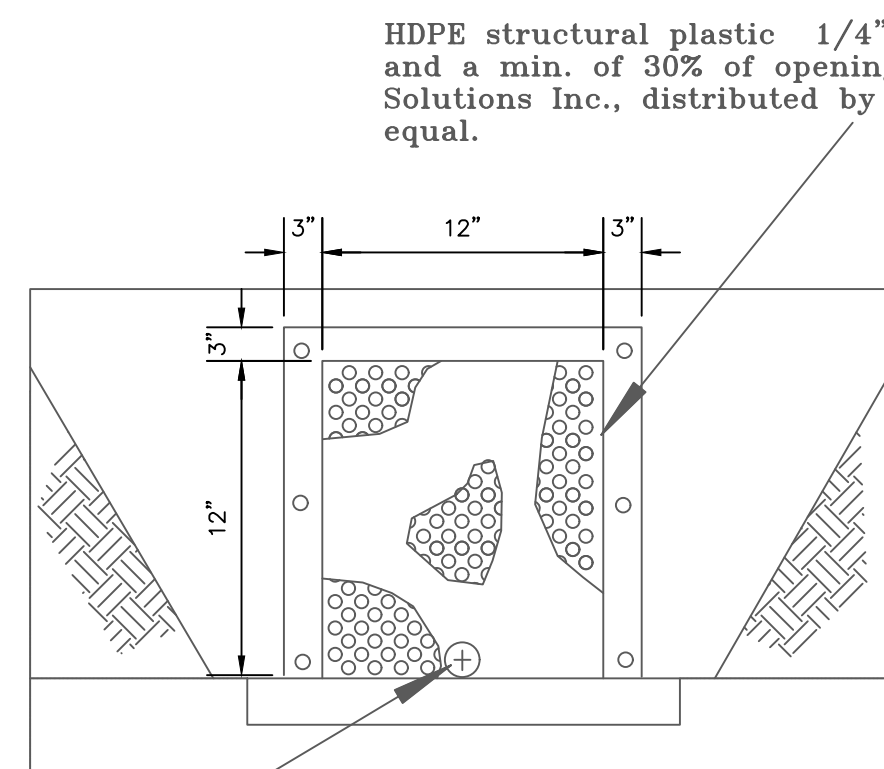


**Detention Basin Detail**

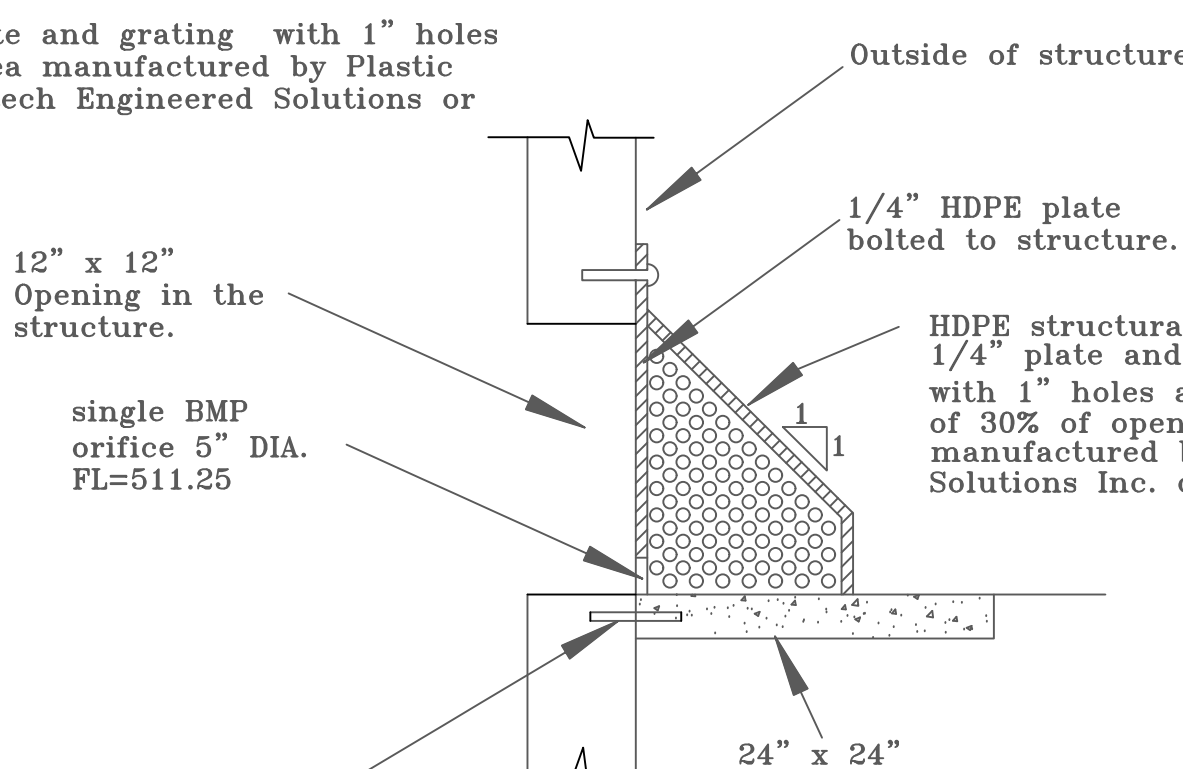
SCALE: 1"=20'



Isometric



Elevation

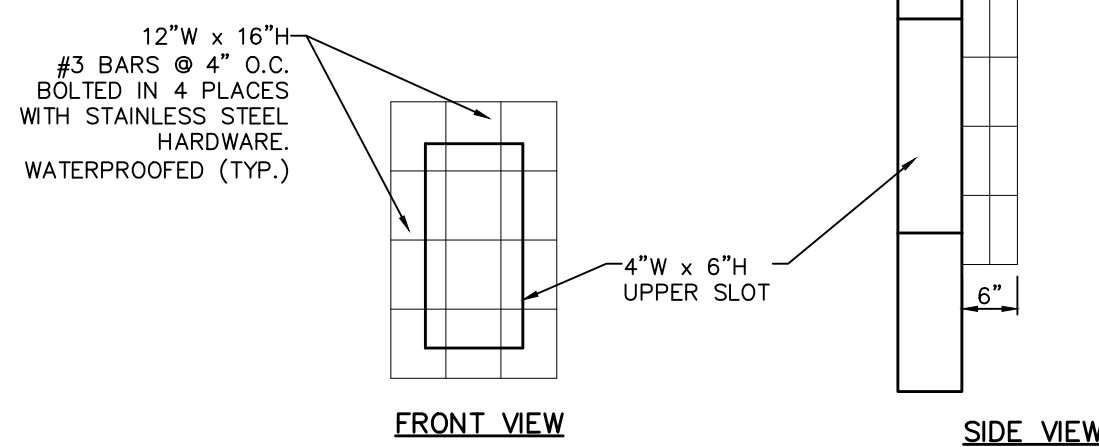


Section

single BMP orifice 5" DIA. FL=511.25

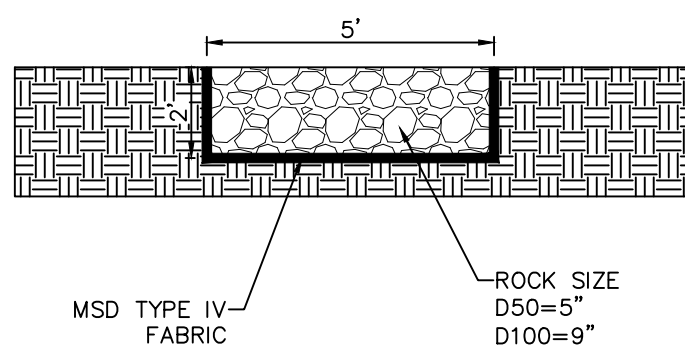
**OS 101 LOW FLOW SLOT STORM RAX BMP DEBRIS CAGE**

N.T.S.



**OS 101 UPPER SLOT DEBRIS GATE**

NOT TO SCALE

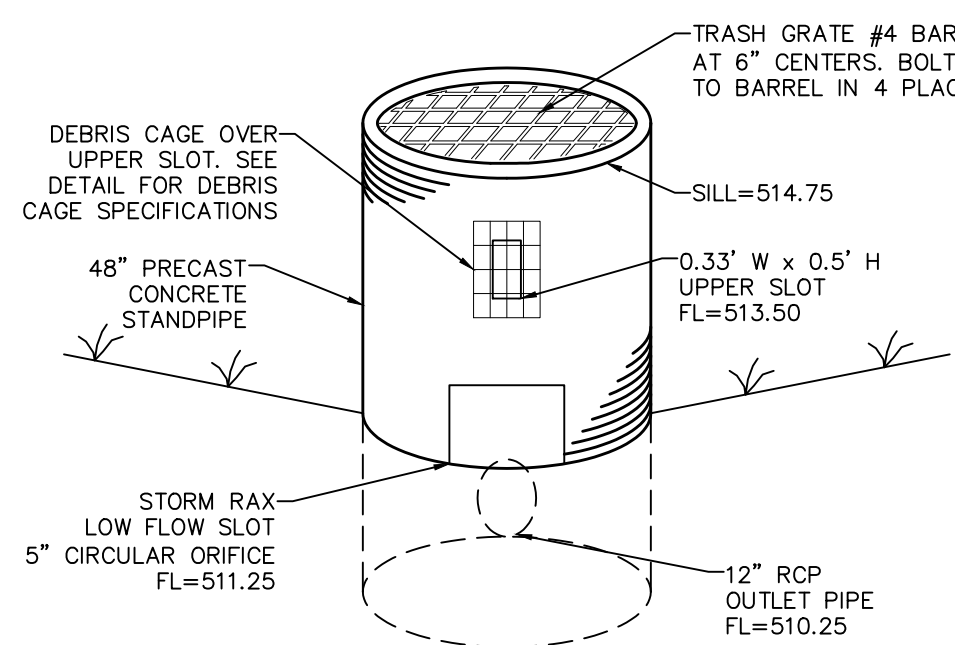


**RIPRAP AT FLARED ENDS**

NOT TO SCALE

\*ALL ROCK BLANKETS REQUIRE MSD TYPE IV FABRIC (OR EQUAL)

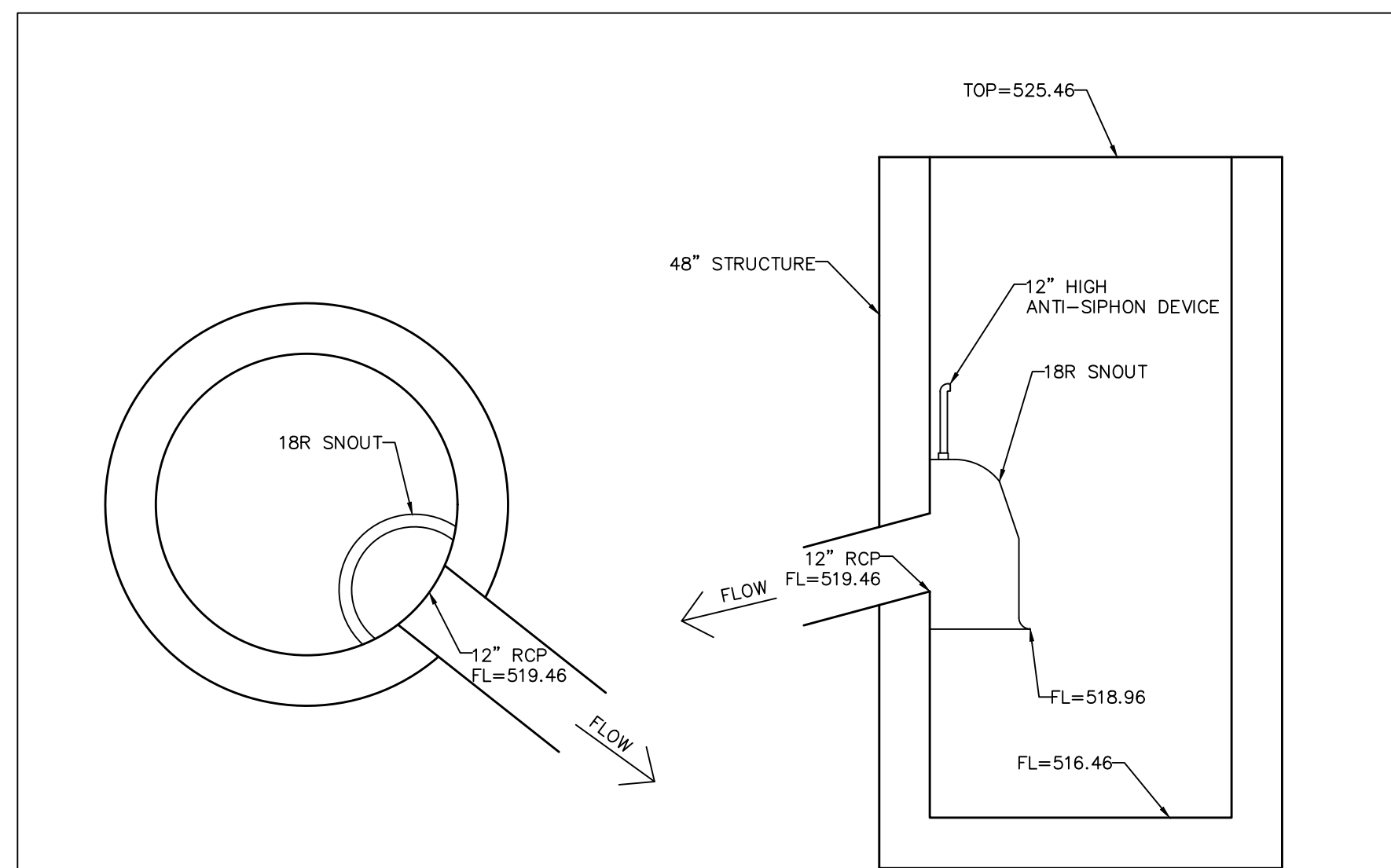
- Snout Maintenance Recommendations:
- 1) Monthly monitoring for the first year of a new installation after the site has been stabilized is a recommended practice.
  - 2) Measurements should be taken after each rain event of 0.50 inches or more, or monthly, as determined by local weather conditions.
  - 3) Checking sediment depth and noting the surface pollutants in the structure will be helpful in planning maintenance.
  - 4) The pollutants collected in SNOOT equipped structures will consist of floatable debris and oils on the surface of the captured water, and grit and sediment on the bottom of the structure.
  - 5) It is best to schedule maintenance based on the solids collected in the sump.
  - 6) Optimally, the structure should be cleaned when the sump is half full (e.g. when 2 feet of material collects in a 4 foot sump, clean it out).
  - 7) Structures should also be cleaned if a spill or other incident causes a larger than normal accumulation of pollutants in a structure.
  - 8) Maintenance is best done with a vacuum truck.
  - 9) If Bio-Skirts are being used in the structure to enhance hydrocarbon capture, they should be checked on a monthly basis for the first year, and serviced or replaced when more than 2/3 of the boom is submerged, indicating a nearly saturated state. Assuming a typical pollutant-loading environment exists, Bio-Skirts should be serviced annually or replaced as necessary.
  - 10) In the case of an oil spill, the structure should be checked and serviced and Bio-Skirts (if present) replaced or serviced immediately.
  - 11) All collected wastes must be handled and disposed of according to local environmental requirements.
  - 12) To maintain the SNOOT hoods, an annual inspection of the anti-siphon vent and access hatch are recommended. A simple flushing of the vent, or a gentle rodding with a flexible wire are all that's typically needed to maintain the anti-siphon properties. Opening and closing the access hatch once a year ensures a lifetime of trouble-free service.



**OVERFLOW STRUCTURE 101 DETAIL**

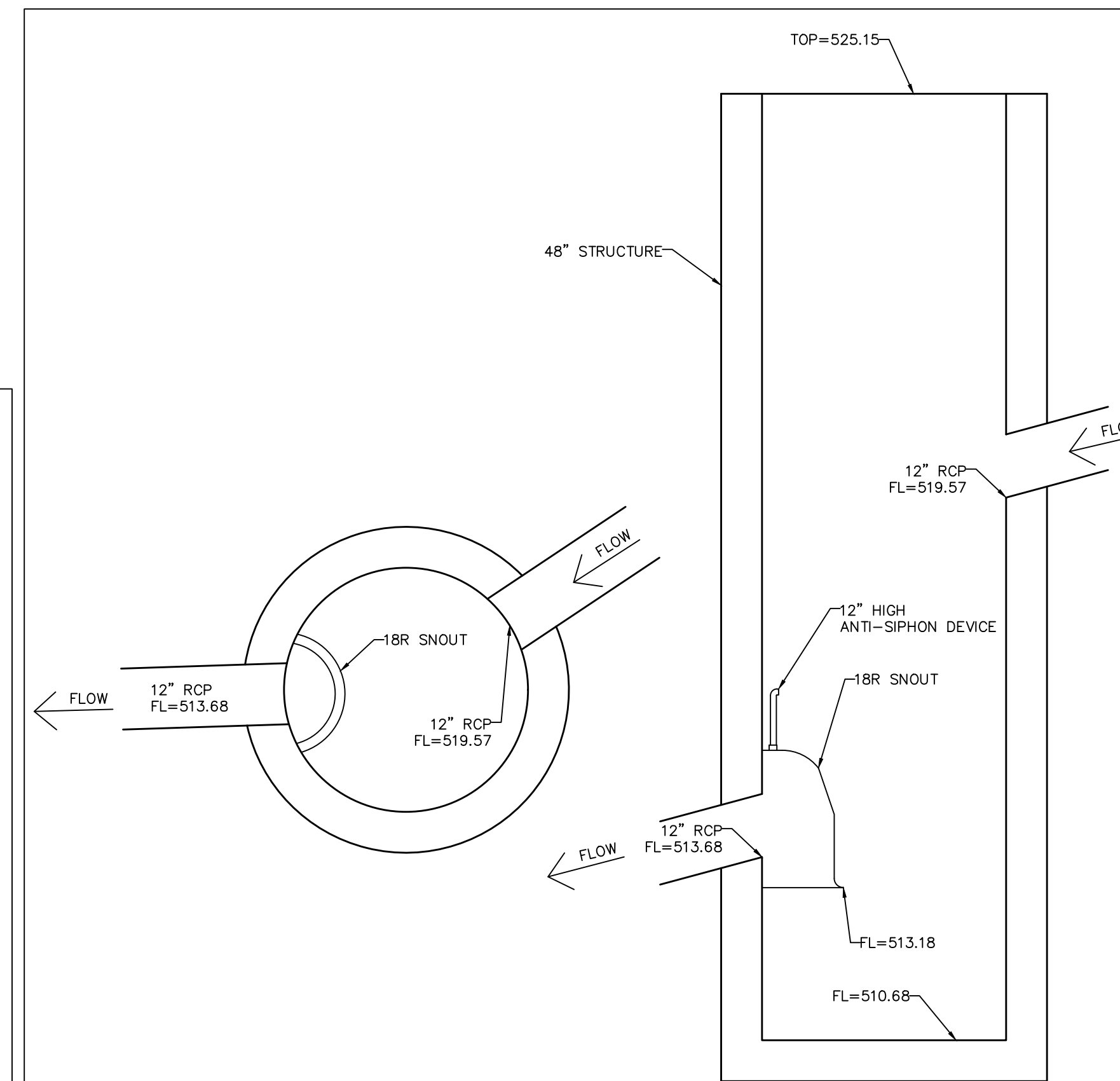
NOT TO SCALE

2 YR 20 MIN HIGHWATER 513.32  
15 YR 20 MIN HIGHWATER 513.98  
25 YR 20 MIN HIGHWATER 514.24  
100 YR 20 MIN HIGHWATER 514.49  
100 YR 20 MIN (LFB) HIGHWATER 514.95



**SNOOT FOR GI 106 DETAIL**

NOT TO SCALE



**SNOOT FOR GI 103 DETAIL**

NOT TO SCALE



CALL BEFORE YOU DIG!  
1-800-DIG-RITE

UNDERGROUND UTILITIES HAVE BEEN PLOTTED FROM AVAILABLE INFORMATION AND THEREFORE THEIR LOCATIONS SHALL BE CONSIDERED APPROXIMATE ONLY. THE VERIFICATION OF THE LOCATION OF ALL UNDERGROUND UTILITIES, EITHER SHOWN OR NOT SHOWN ON THESE PLANS SHALL BE THE RESPONSIBILITY OF THE CONTRACTOR, AND SHALL BE LOCATED PRIOR TO ANY GRADING OR CONSTRUCTION OF THE IMPROVEMENTS.

DISCLAIMER OF RESPONSIBILITY  
I hereby specify that the documents intended to be authorized by my seal are limited to this sheet, and I hereby disclaim any responsibility for all other Drawings, Specifications, Estimates, Reports or other documents or instruments relating to or intended to be used for any part or parts of the architectural or engineering project or projects.



Larry D. Walker  
Civil Engineer  
2007020343  
Box Engineering Company, Inc.  
Authority No. 000555  
All Rights Reserved

REVISIONS	
01-06-22	CITY COMMENTS
01-06-22	FIRE DIST. COMMENTS
03-01-22	CITY COMMENTS

**Developer / Owner:**  
Hoernig Veterinary Services L.L.C.  
25 Smetana  
Wentzville, MO 63385  
(573) 513-1525

**P+Z No.** 21-004881  
**Approved:** 07-01-21

**City No.** #

**Page No.**

11 of 15

**PROJECT TITLE:**  
CONSTRUCTION PLANS FOR  
Mexico Road Animal Hospital  
1190 Sonderen Street  
O'Fallon, MO 63376

**ENGINEERING FIRM:**  
PLANNING SURVEYING  
221 Point View Blvd.  
St. Charles, MO 63301  
636-928-5562  
FAX 928-1718



Issue Date: 12/17/2021

**DETENTION BASIN DETAILS**