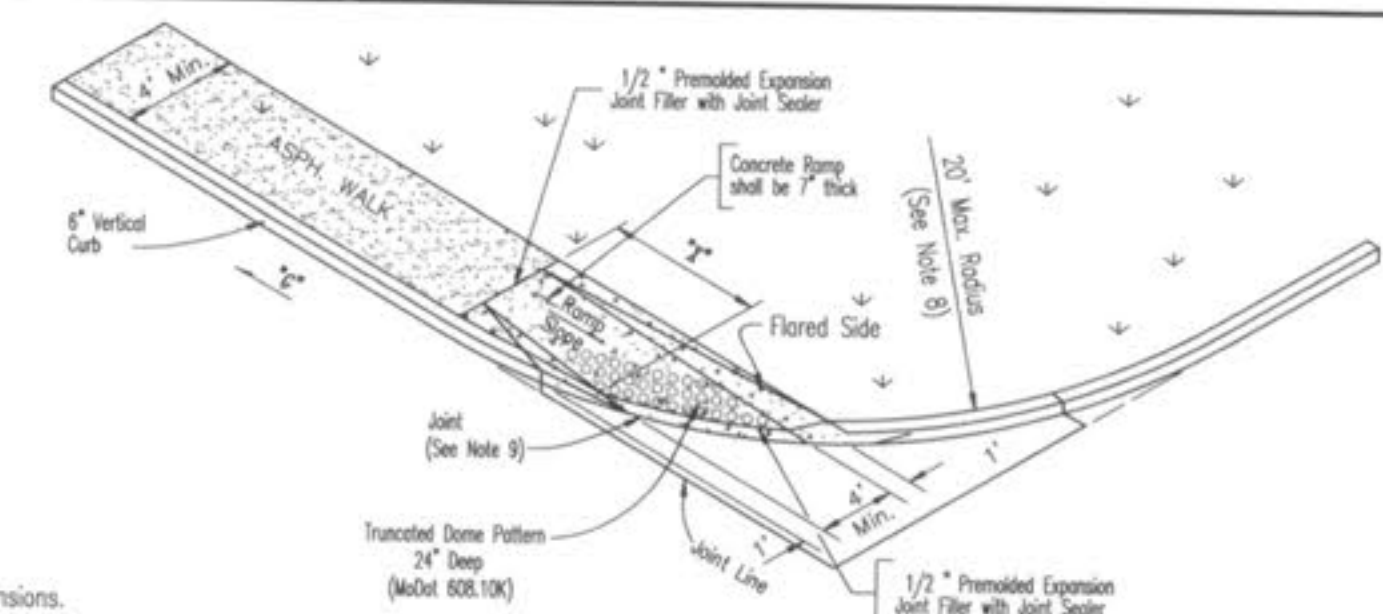




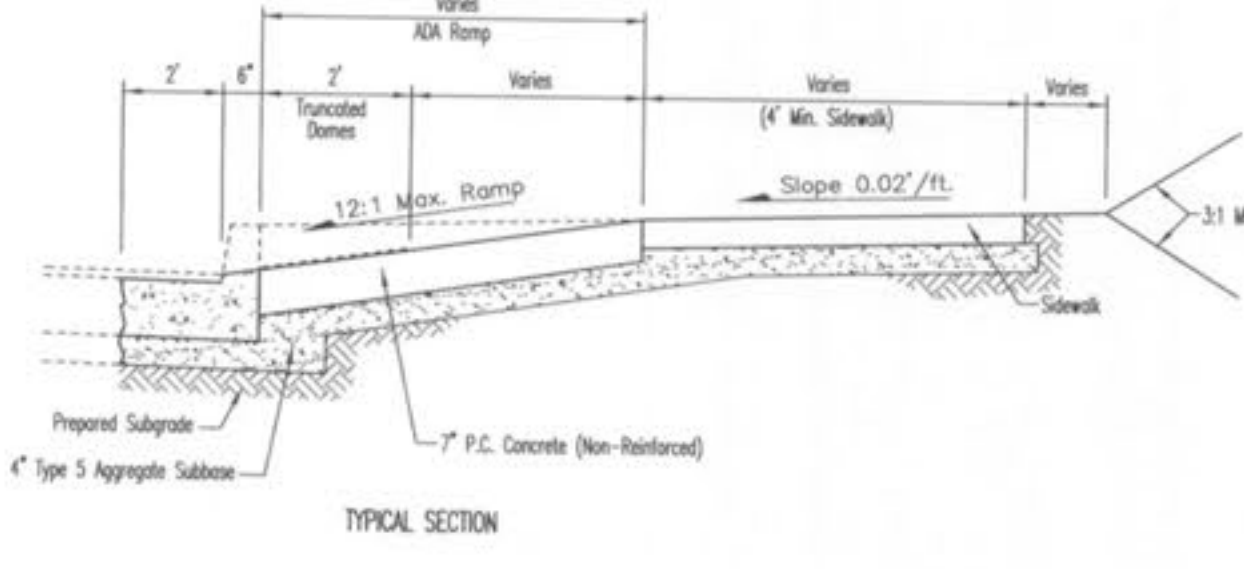
DISCLAIMER OF RESPONSIBILITY
HEREBY SPECIFY THAT THE DOCUMENTS INTENDED TO BE AUTOMATICALLY BY ANY SCALE ARE LIMITED TO THE SHEETS, AND I HEREBY DISCLAIM ANY RESPONSIBILITY FOR ANY OTHER SCALES OR DIMENSIONS. DOCUMENTS OR INSTRUMENTS RELATING TO OR REFERRED TO BE USED FOR ANY PART OR PARTS OF THE ARCHITECTURAL OR ENGINEERING PROJECT OF SURVEY.

CHARLES E. BROWN
REGISTERED PROFESSIONAL ENGINEER
SEAL 1-19-03

DESIGNED: ERB
CHECKED: CEM
DATE: 11/2/03
PROJECT NO.: 00-034



Sidewalk at Back of Curb
STRAIGHT CURB RAMP-6" VERTICAL CURB
(TYPE 1) NTS



Sidewalk at Back of Curb
PARALLEL CURB RAMP - 6" VERTICAL CURB
(TYPE 10) NTS
(WHERE PASSAGE BEHIND RAMP CANNOT BE CONSTRUCTED DUE TO SITE INFEASIBILITY)

TYPE 1 & TYPE 10 CURB RAMPS	
% GRADE ALONG CURB (%)	MIN. LENGTH OF RAMP SLOPE (L.F.)
NEGATIVE (-) VALUES	6
0 TO +1	7
+1.01 TO +2	8
+2.01 TO +3	10
+3.01 TO +4	12
GREATER THAN +4	15

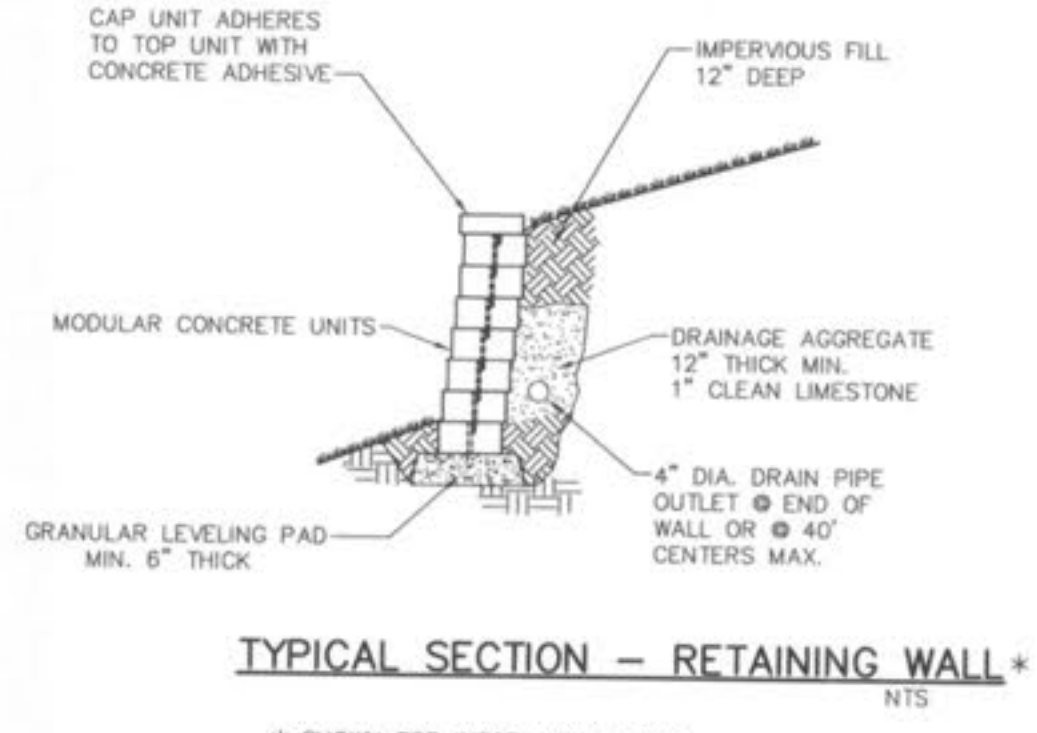
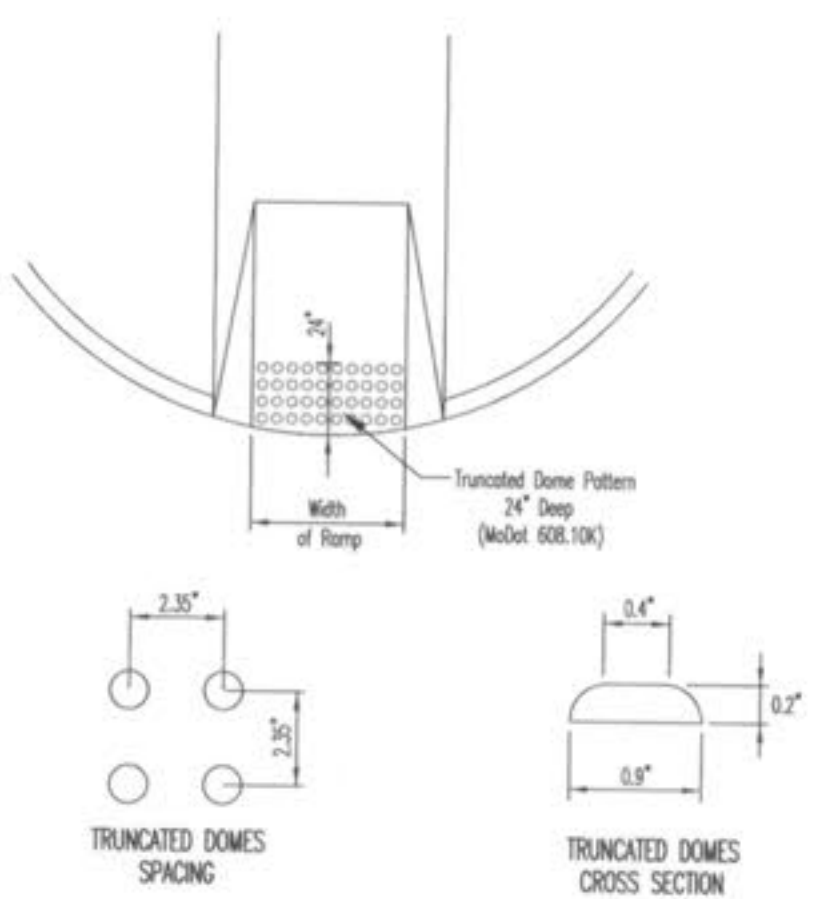
NOTE: Positive (+)% - Proceeding away from intersection and up a grade.
Positive (-)% - Proceeding away from intersection and down a grade.

GENERAL NOTES

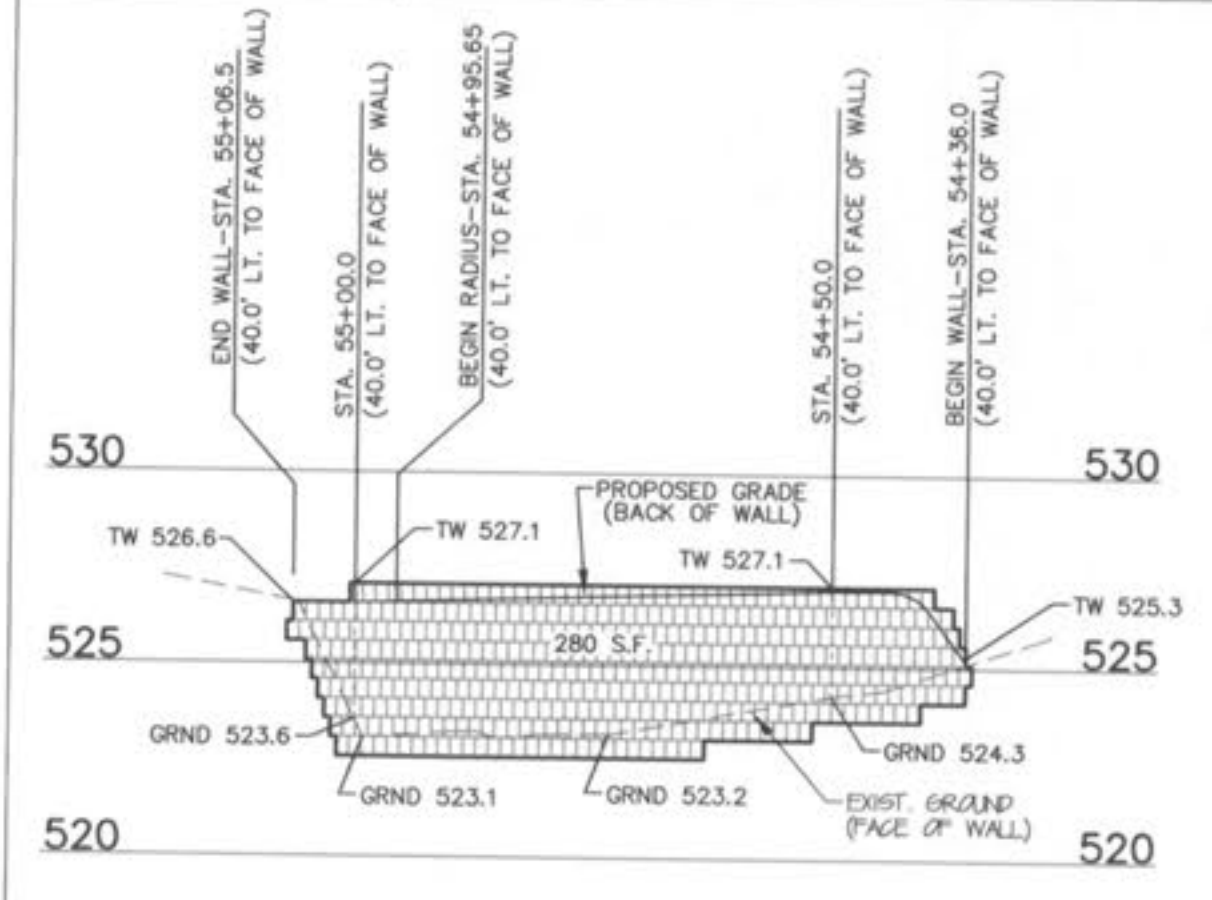
- Do not scale drawing. Follow dimensions.
- Sidewalks and sidewalk curb ramps shall be constructed in accordance with these details and the current approved Americans with Disabilities Act Accessibility Guidelines (ADAAG).
- Provide a landing at the top of each straight ramp when the Grade Along Curb (%) is greater than +2% and less than +7%. For other values of % including all negative (-) values, no landing is required.
- Minimum sidewalk width along 6" vertical curb shall be 5 feet. Minimum sidewalk width along 3" rolled curb shall be 4 feet.
- Maximum sidewalk cross slope 0.02'/ft.
- All sidewalk sections shall be 4" thick, except where indicated as 7" thick by shaded portions shown on details.
- All sidewalk sections and curb ramps, regardless of thickness, shall be paid for as Concrete Sidewalk.
- Where curb ramp meets pavement, Bullnose will not be permitted.
- Construct a diagonal ramp when the maximum corner radius allowed for a straight ramp is exceeded.
- If monolithic concrete curb is constructed, strike a dummy joint across bottom of ramp at curb line. If concrete curb is doweled-on, block out pavement to provide full depth curb across ramp from outer point of curb taper to outer point of curb taper.
- For sidewalk locations on Cul-De-Sacs, refer to "Pavement Construction Details".
- For pavement longitudinal and transverse joints and tie bar requirements and dimensions, refer to the "Pavement Construction Details for Joints and Curbs", Std. Dwg. C502.03.
- For roadway cross slopes, pavement types, and thicknesses, refer to Standard Typical Sections.
- The intersection of two sidewalks or the intersection of a sidewalk and a driveway may serve as a wheelchair passing space on sidewalks less than 5 feet wide.

GENERAL NOTES FOR TRUNCATED DOMES

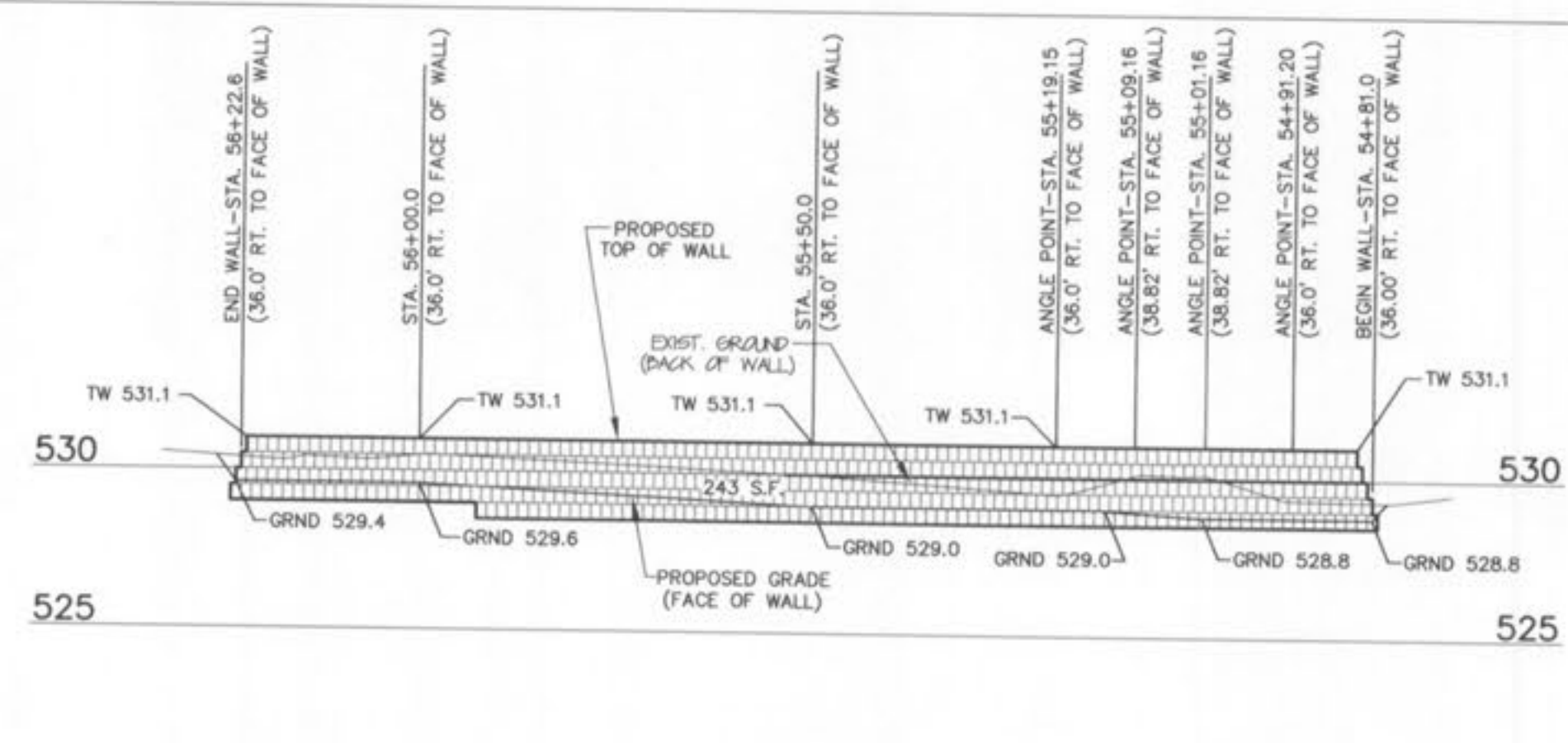
- Do not scale drawing. Follow dimensions.
- The pavers shall be designed to meet accessibility guidelines for the American Disabilities Act for Detectable Warning (Para 4.23) and Loading Ramps (Para 4.7).
- Color and texture to be approved by the City of Fallon. (Brick Red)



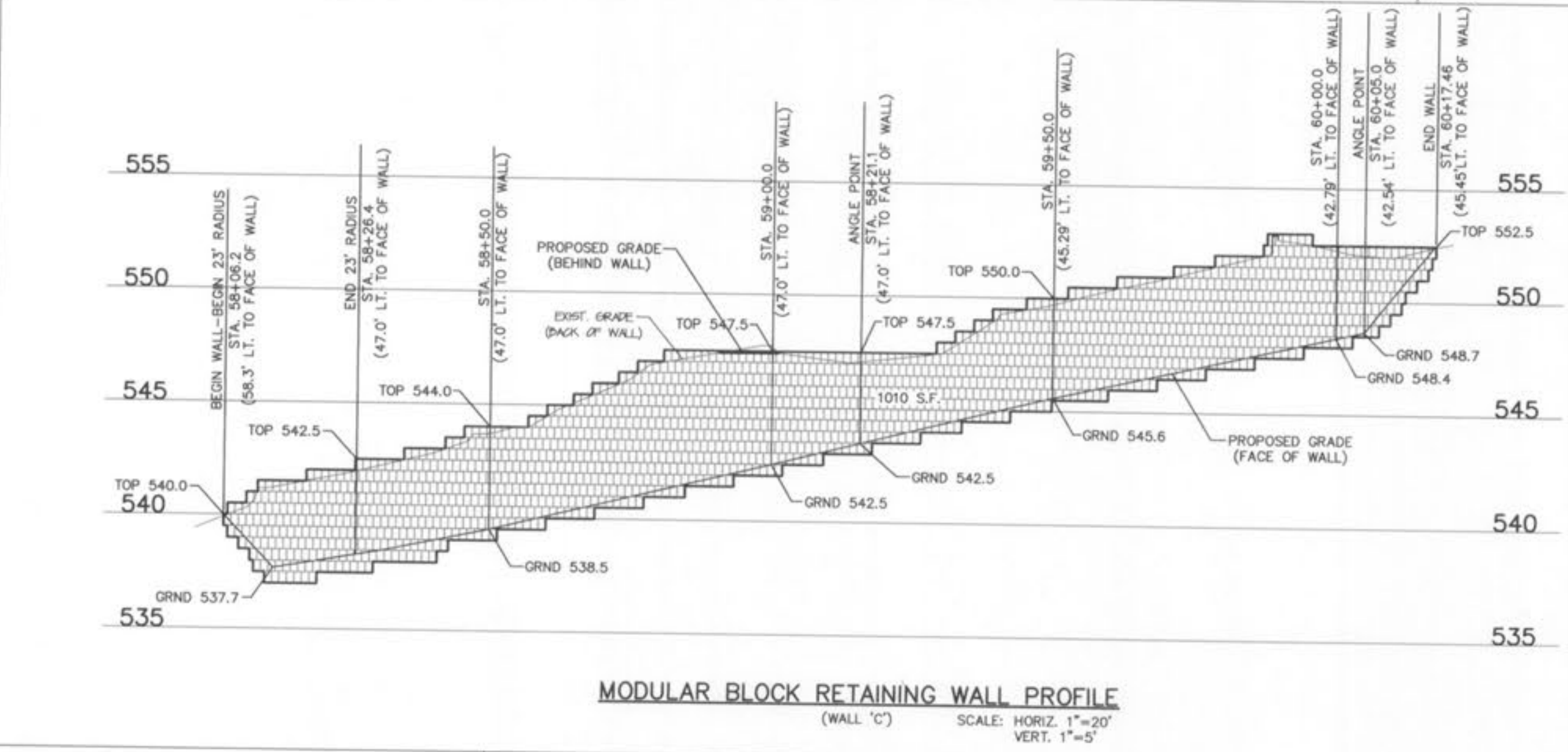
TYPICAL SECTION - RETAINING WALL *
NTS



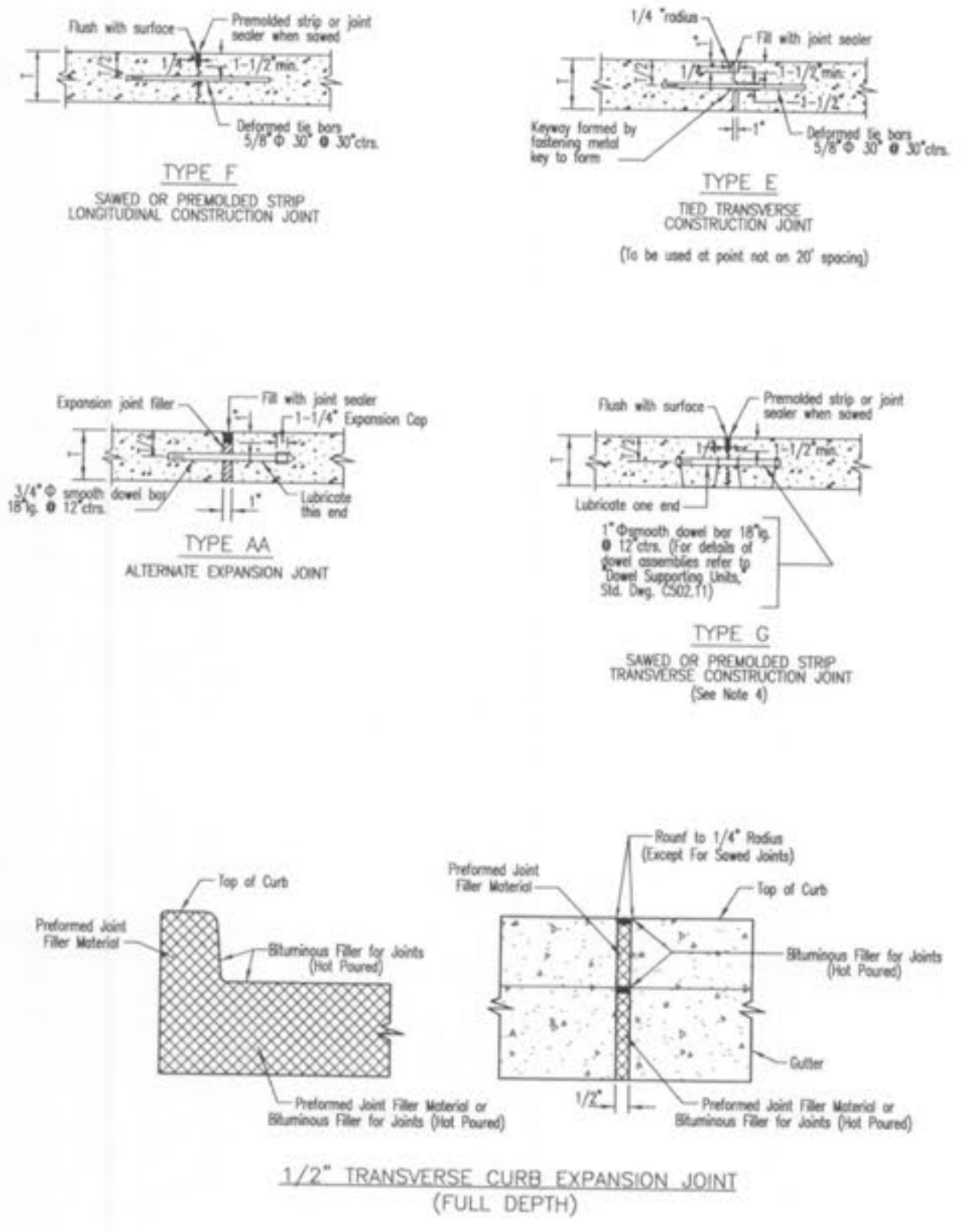
MODULAR BLOCK RETAINING WALL PROFILE
(WALL 'A') SCALE: HORIZ. 1"=20'
VERT. 1"=5'



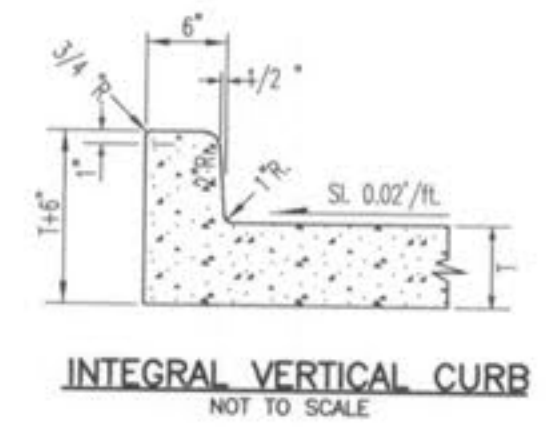
MODULAR BLOCK RETAINING WALL PROFILE
(WALL 'B') SCALE: HORIZ. 1"=20'
VERT. 1"=5'



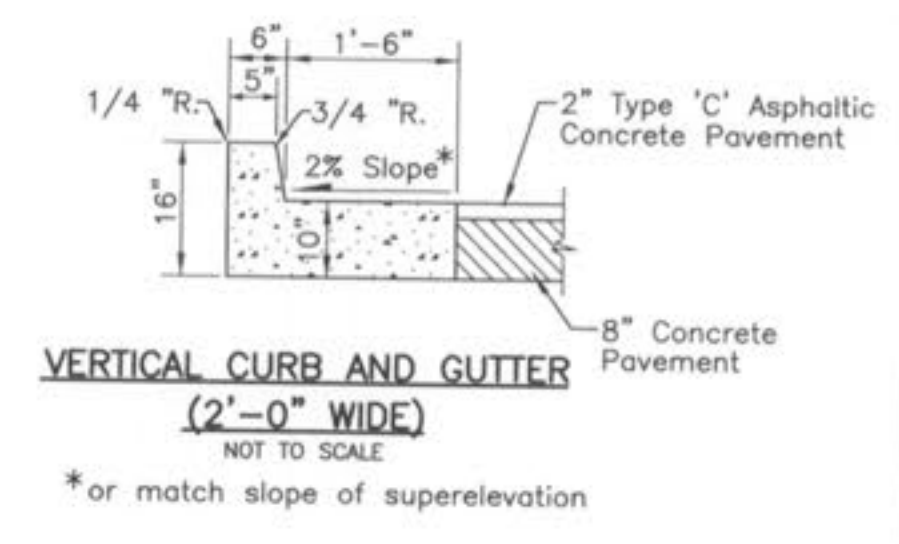
MODULAR BLOCK RETAINING WALL PROFILE
(WALL 'C') SCALE: HORIZ. 1"=20'
VERT. 1"=5'



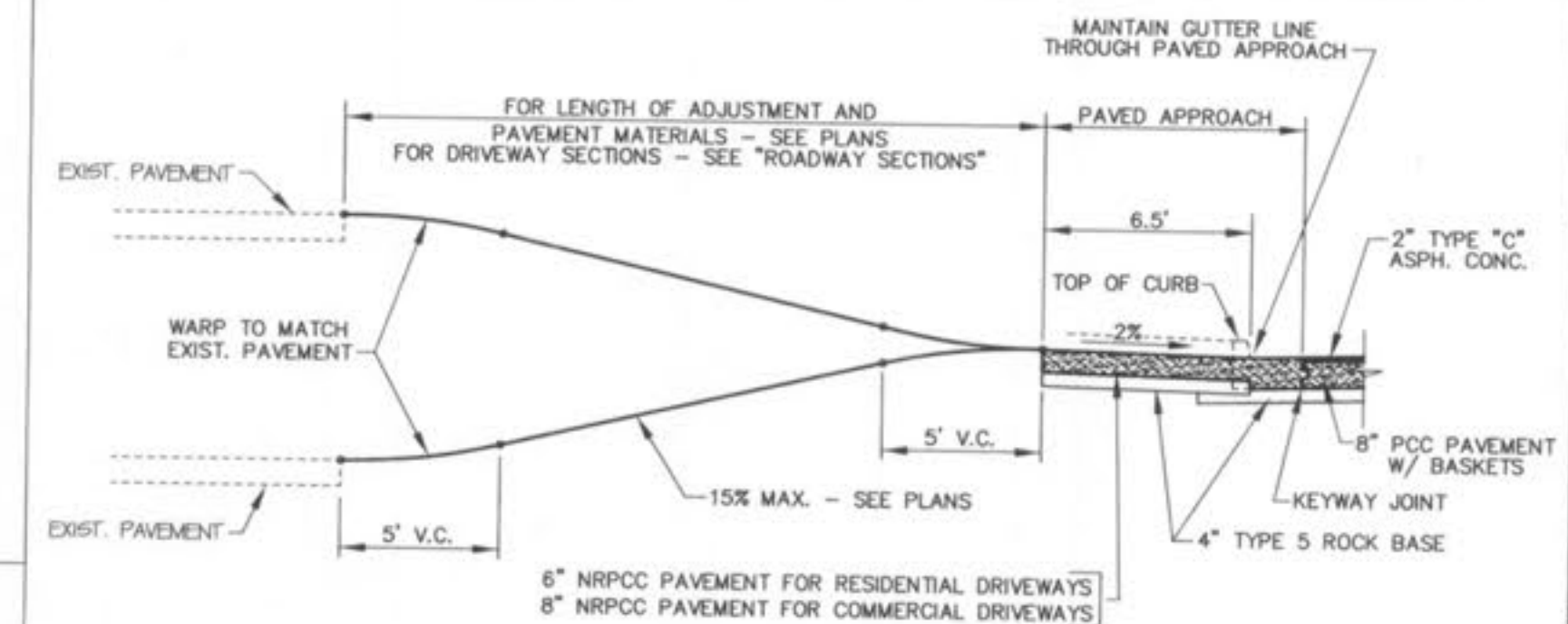
ALL JOINTS SHALL BE SAWCUT AND SEALED



INTEGRAL VERTICAL CURB
NOT TO SCALE



VERTICAL CURB AND GUTTER
(2'-0" WIDE)
NOT TO SCALE
* or match slope of superelevation



TYPICAL CONCRETE ENTRANCE DETAIL
NTS