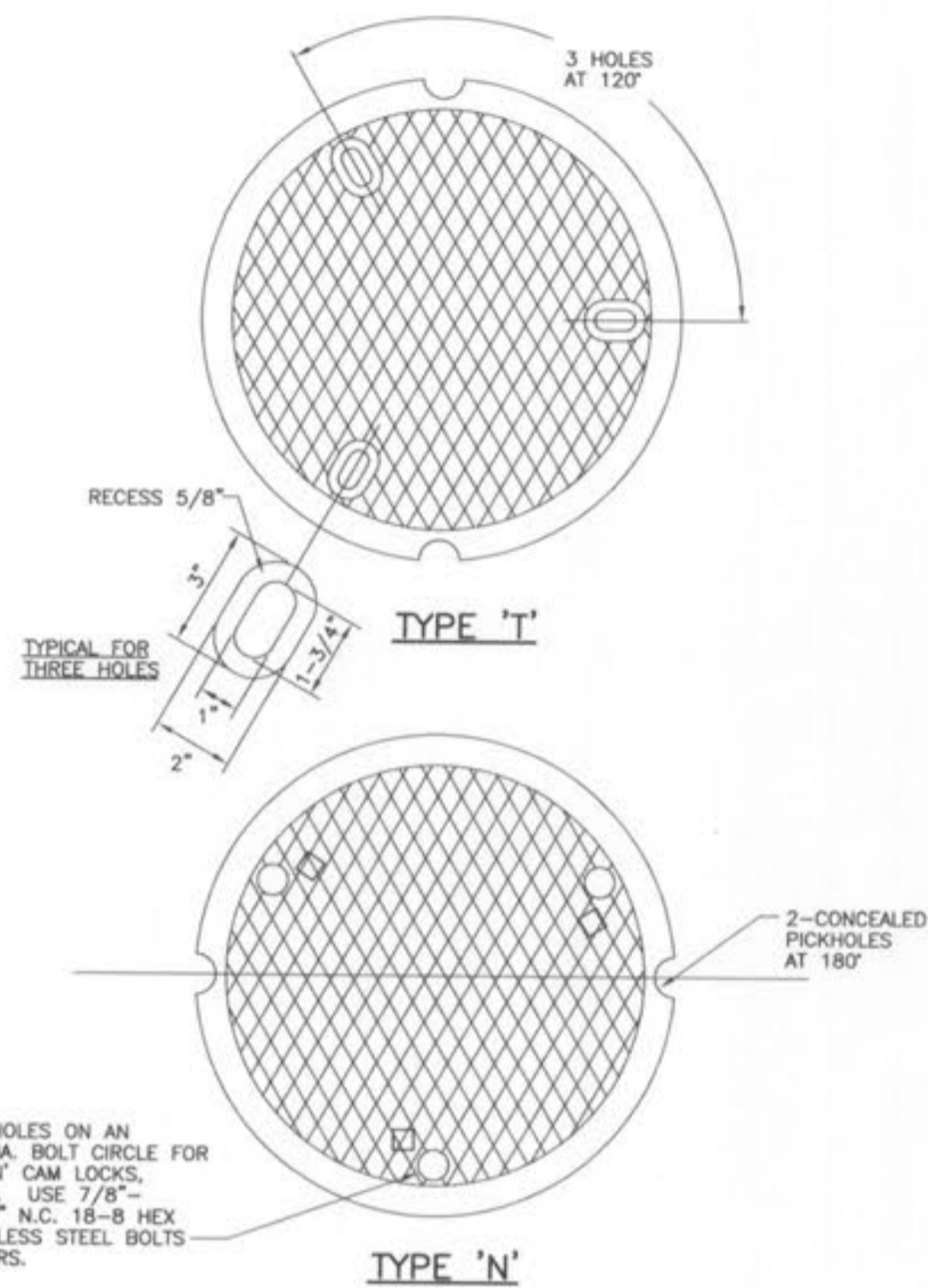


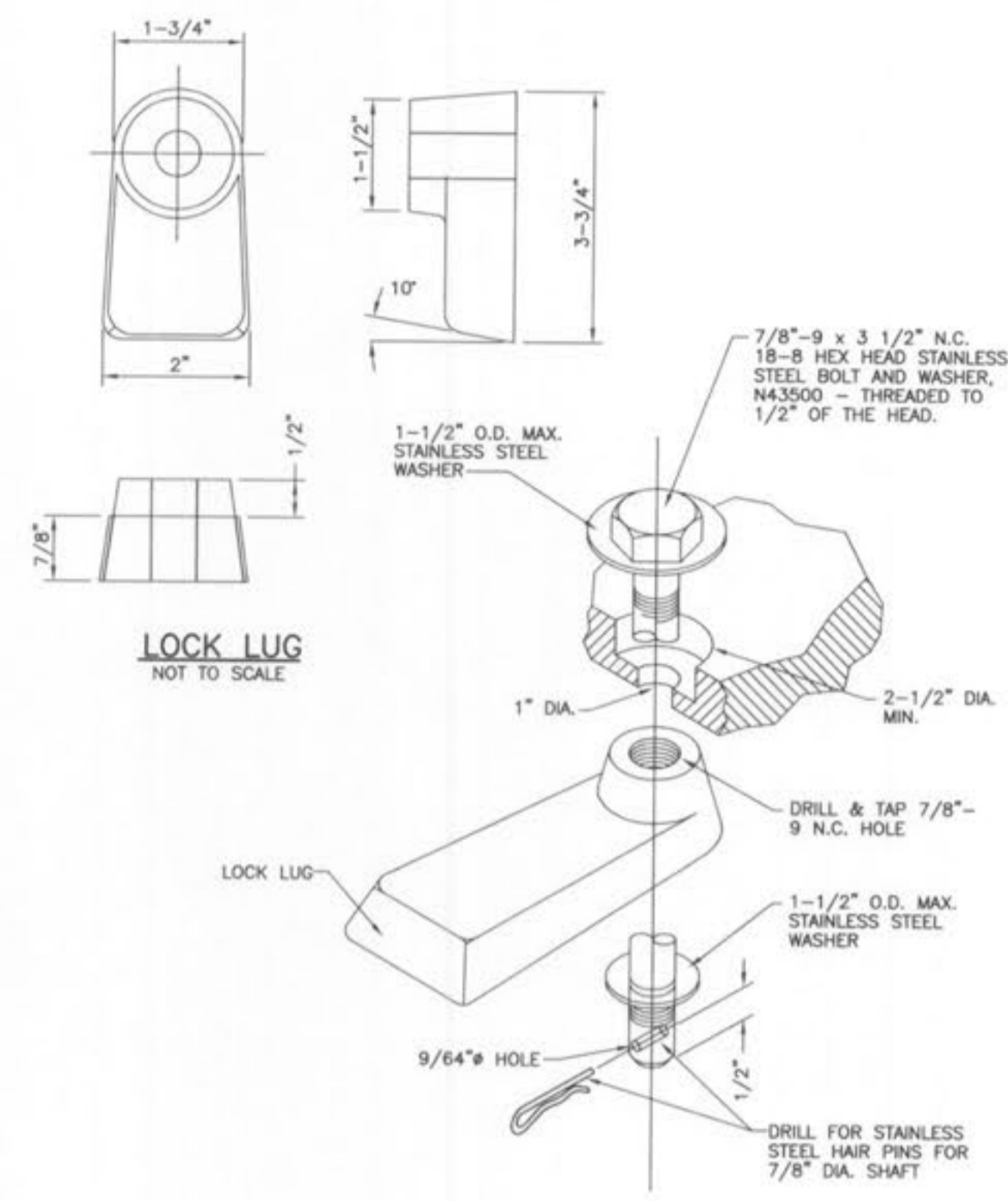
COPOLYMER POLYPROPYLENE PLASTIC

MANHOLE STEP FOR PRECAST MANHOLE

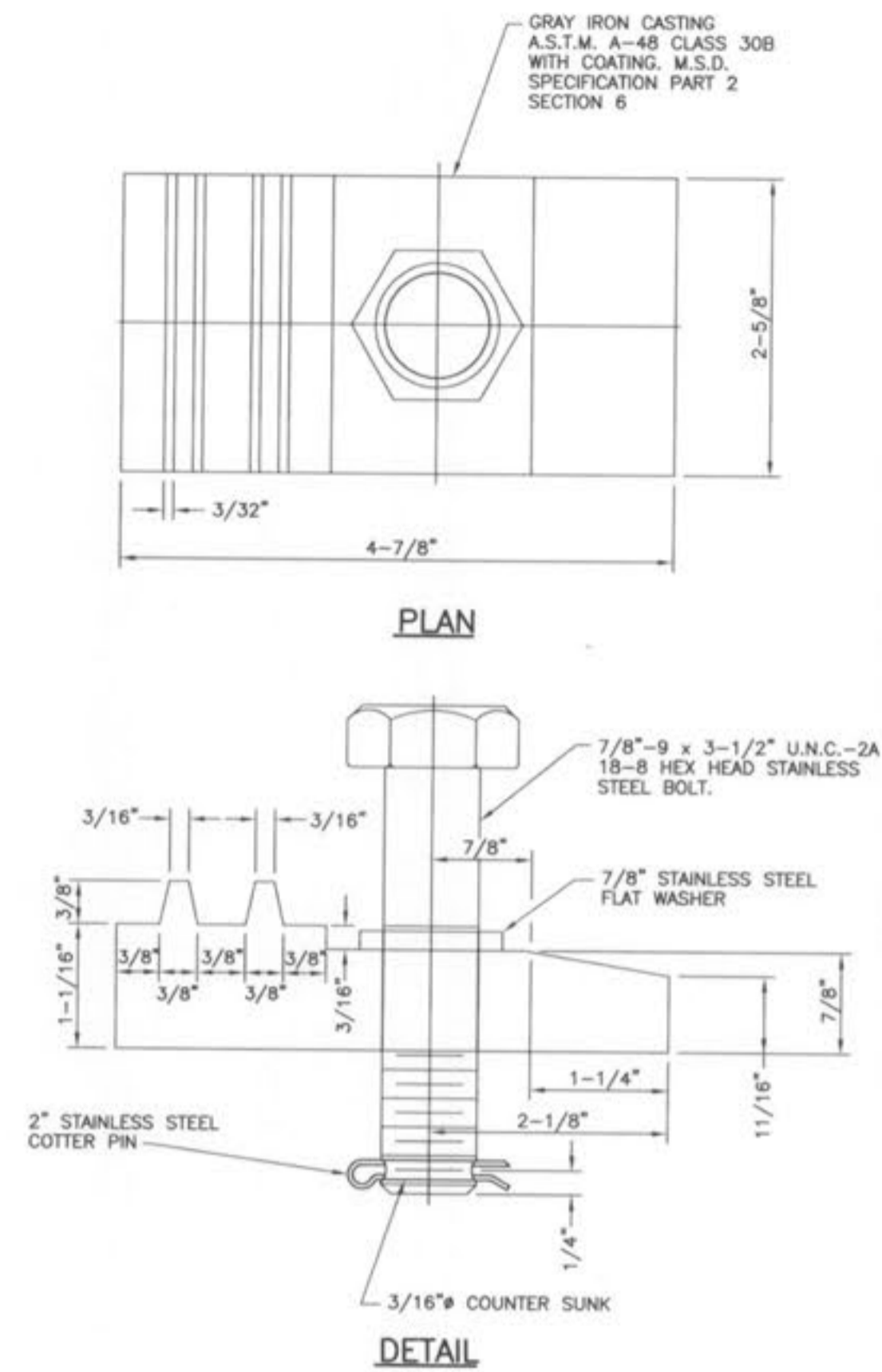


NOTE:  
1. USE APPROVED BUTYL RUBBER PREFORMED MASTIC SEALANT OR APPROVED SELF-SEALING GASKET BETWEEN COVER AND FRAME.

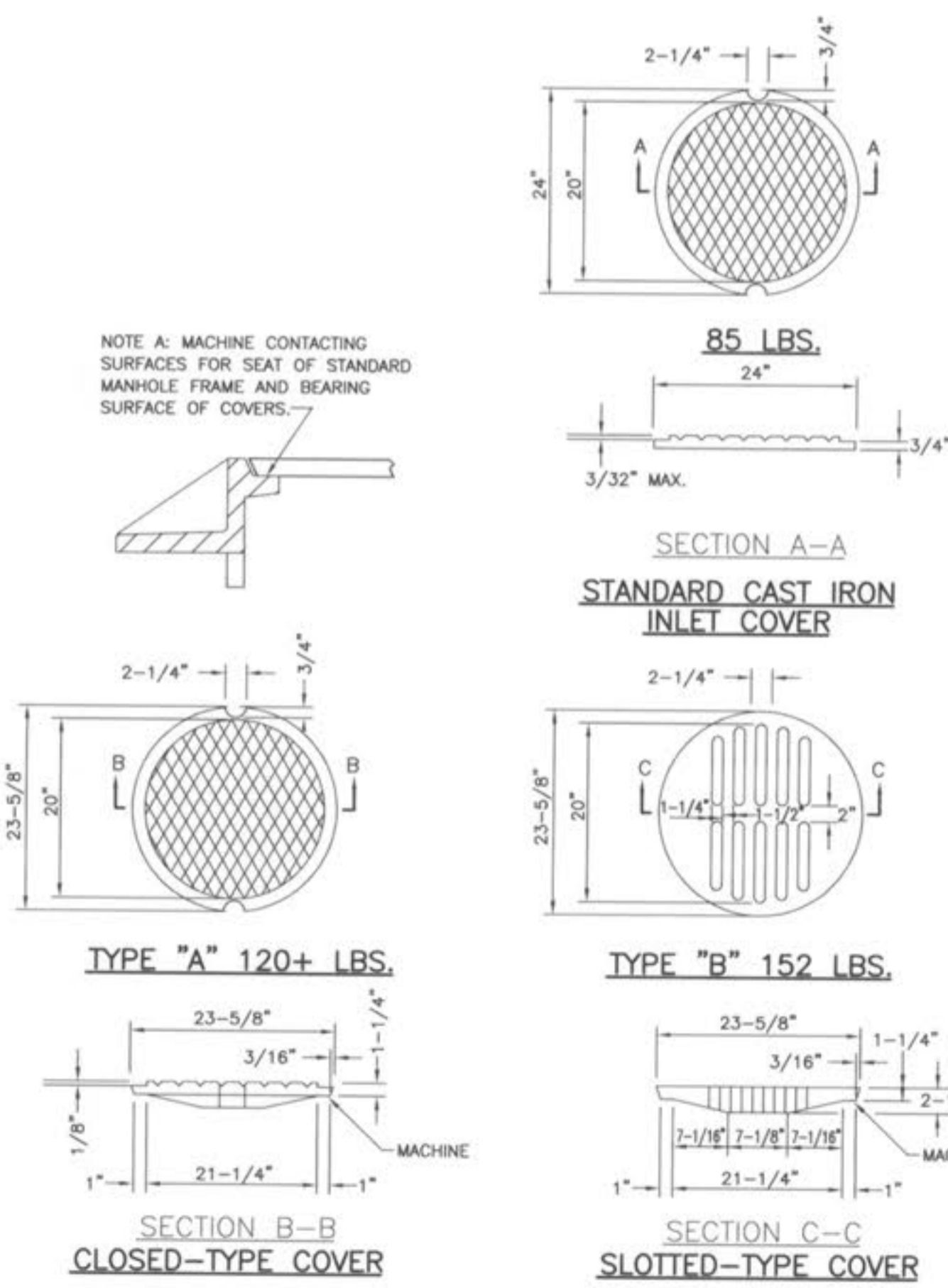
CAST IRON MANHOLE COVERS (LOCK TYPE)



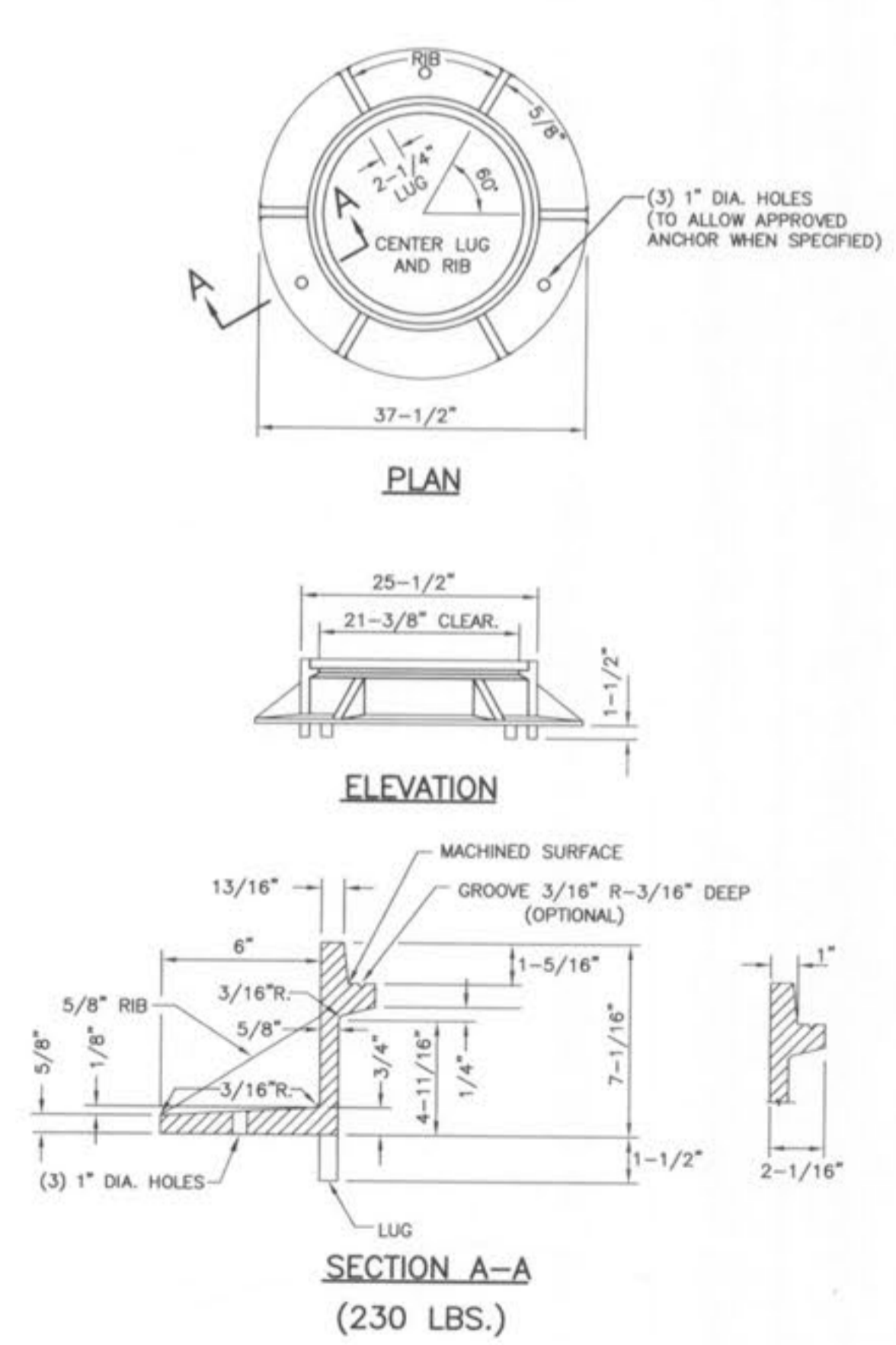
LOCKING DEVICE FOR TYPE 'N' LOCK TYPE MANHOLE COVER



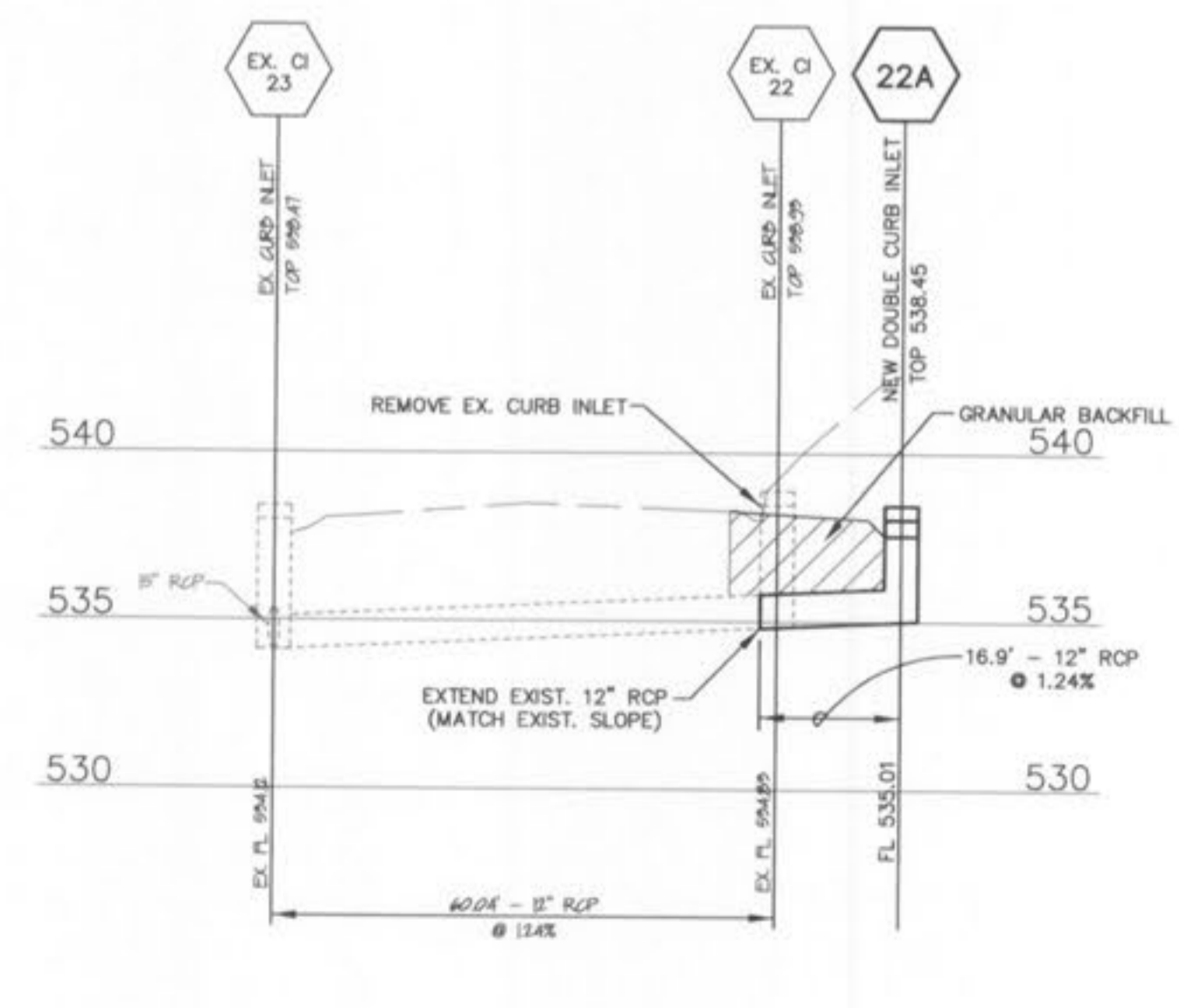
LOCKING DEVICE FOR TYPE 'T' LOCK TYPE MANHOLE COVER



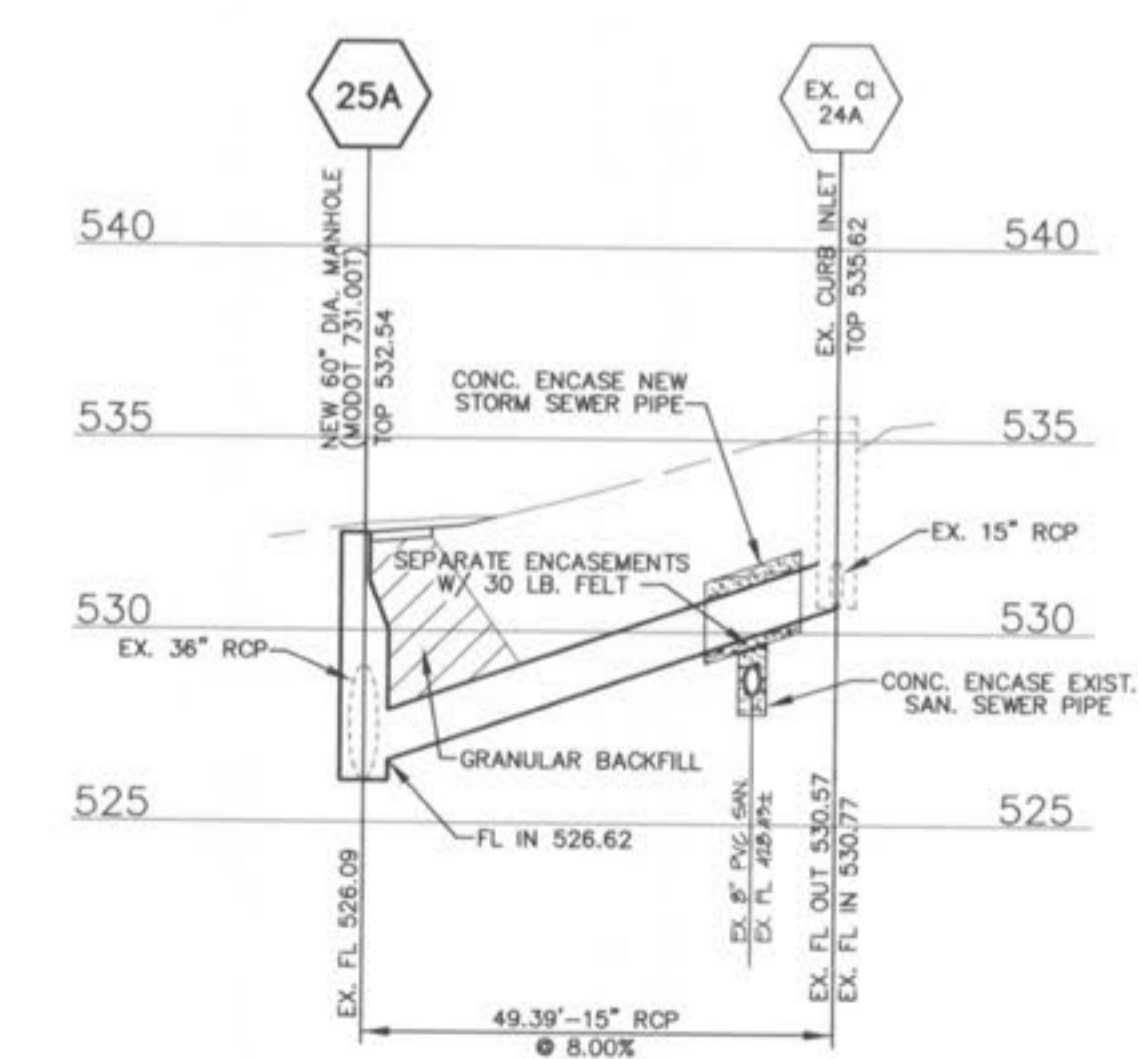
CAST IRON COVERS MANHOLES AND INLETS



CAST IRON MANHOLE FRAME



STORM SEWER PROFILE  
SCALE: HORIZ. 1\"/>



STORM SEWER PROFILE  
SCALE: HORIZ. 1\"/>

**MEXICO ROAD LANE ADDITION**  
  
 CITY OF O'FALLON  
 COMMUNITY DEVELOPMENT  
 DESIGN DIVISION  
 O'FALLON, MISSOURI  
  
 DESIGNER: ERB  
 CHECKED: CEM  
 DATE: 11/27/03  
 PROJECT NO.: 00-034  
  
 SHEET  
 33 OF 33



DISCLAIMER OF RESPONSIBILITY  
I HEREBY SPECIFY THAT THE DOCUMENTS PREPARED BY ME OR UNDER MY SUPERVISION AND CONTROL ARE LIMITED TO THE SPECIFIC PROJECT AND I ACCEPT NO LIABILITY FOR ANY OTHER USES OF THESE DOCUMENTS.

STATE OF MISSOURI  
REGISTERED PROFESSIONAL ENGINEER  
CHARLES E. M...  
NO. 20-0000000000  
SEAL 11-19-03