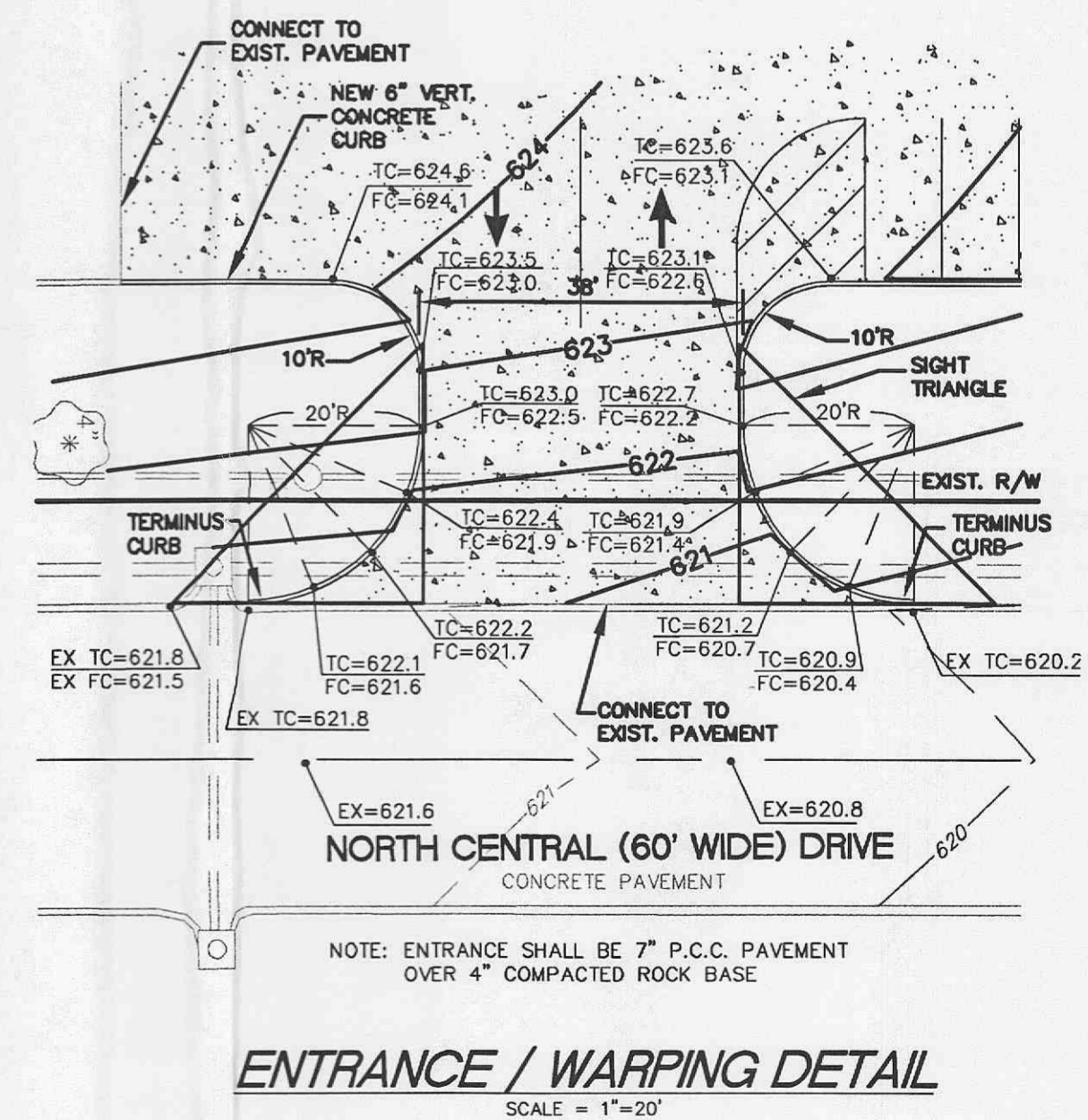
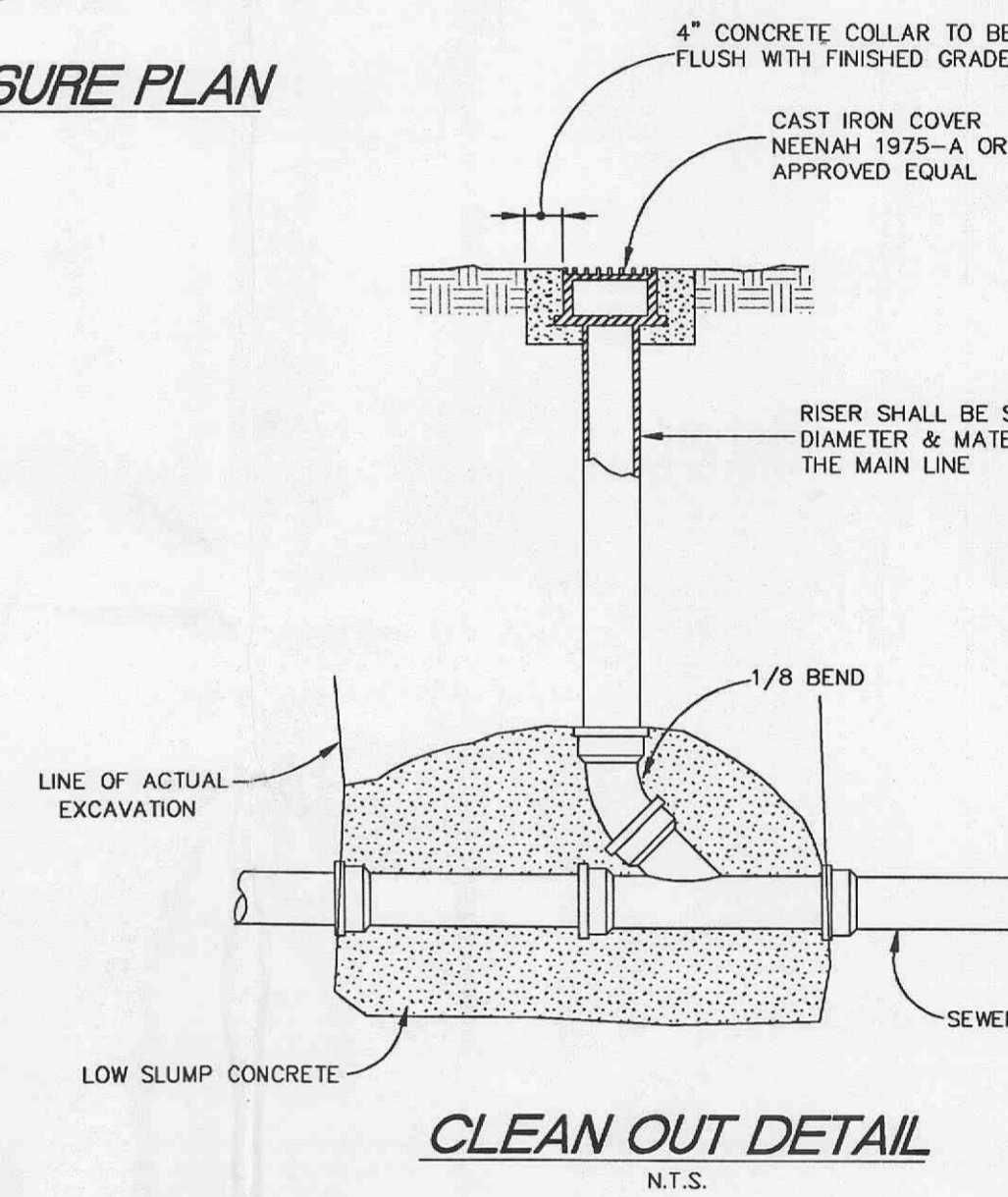
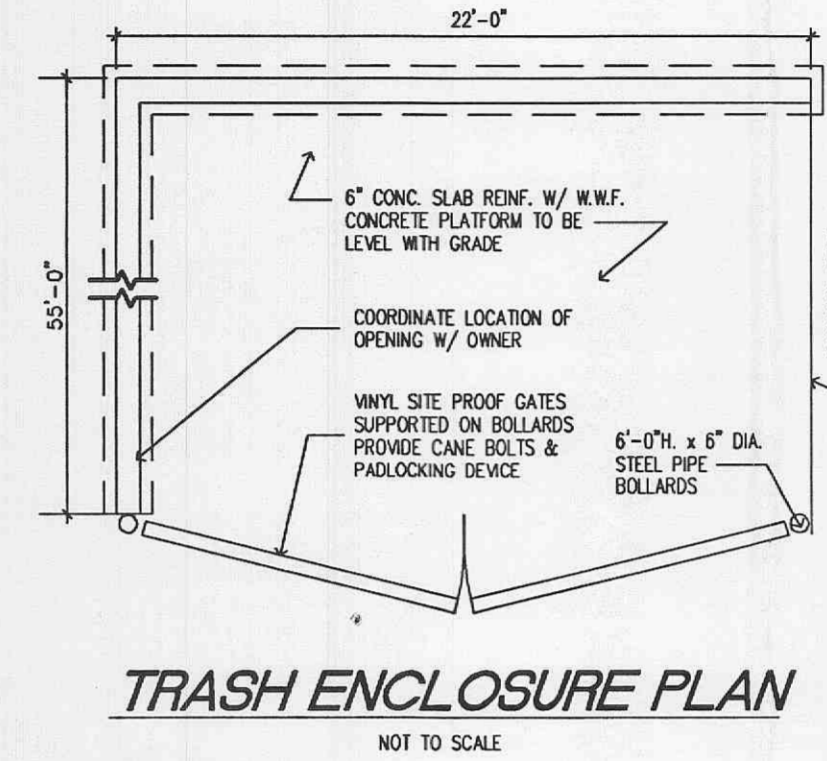
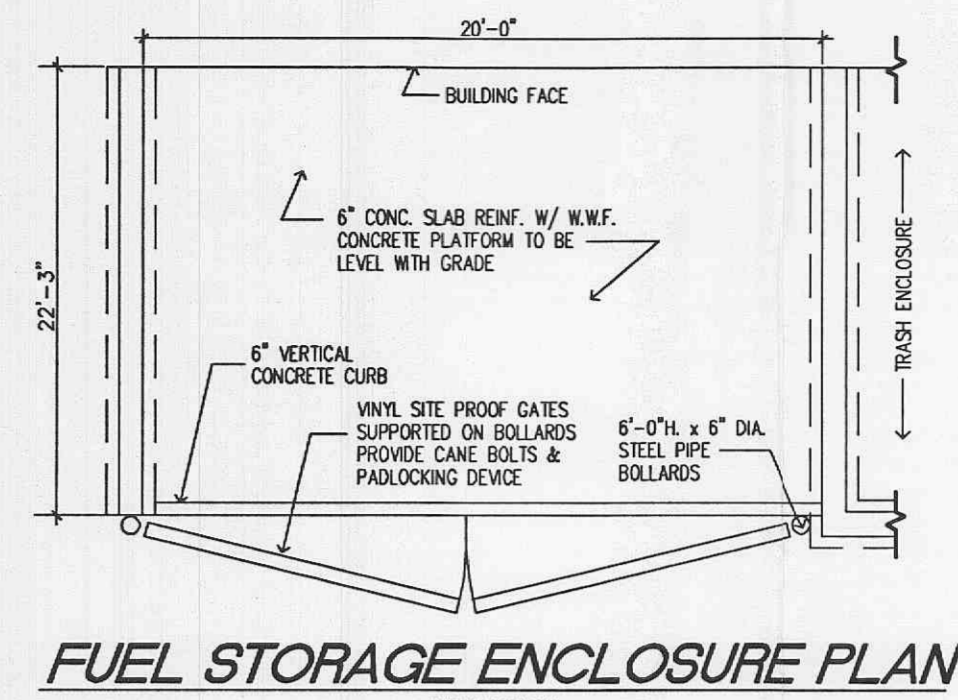
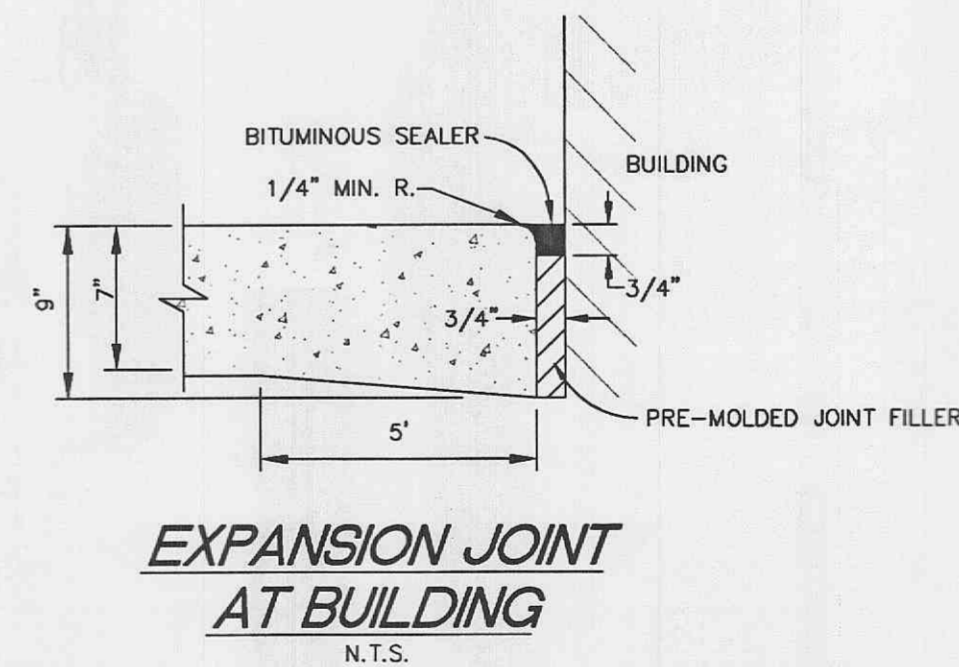
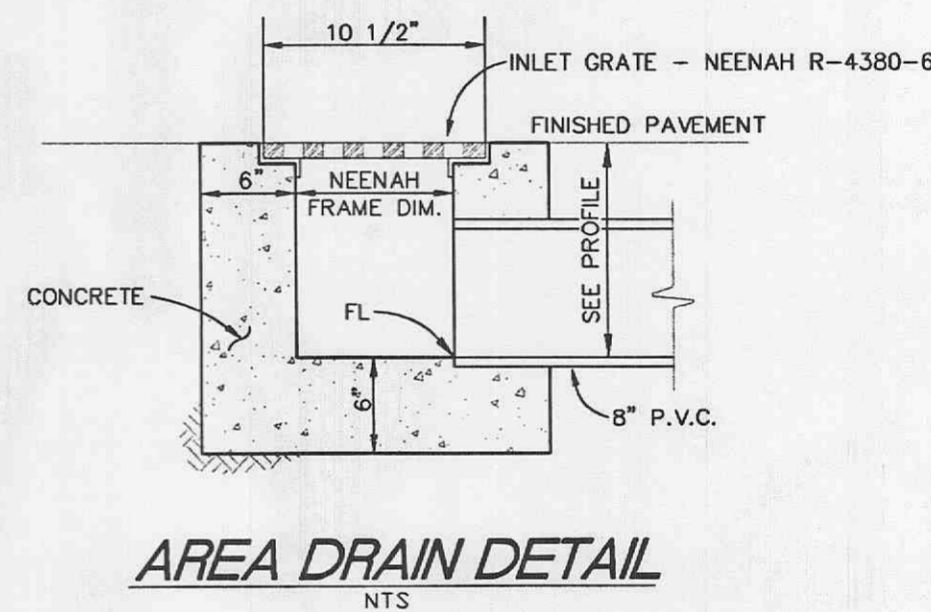
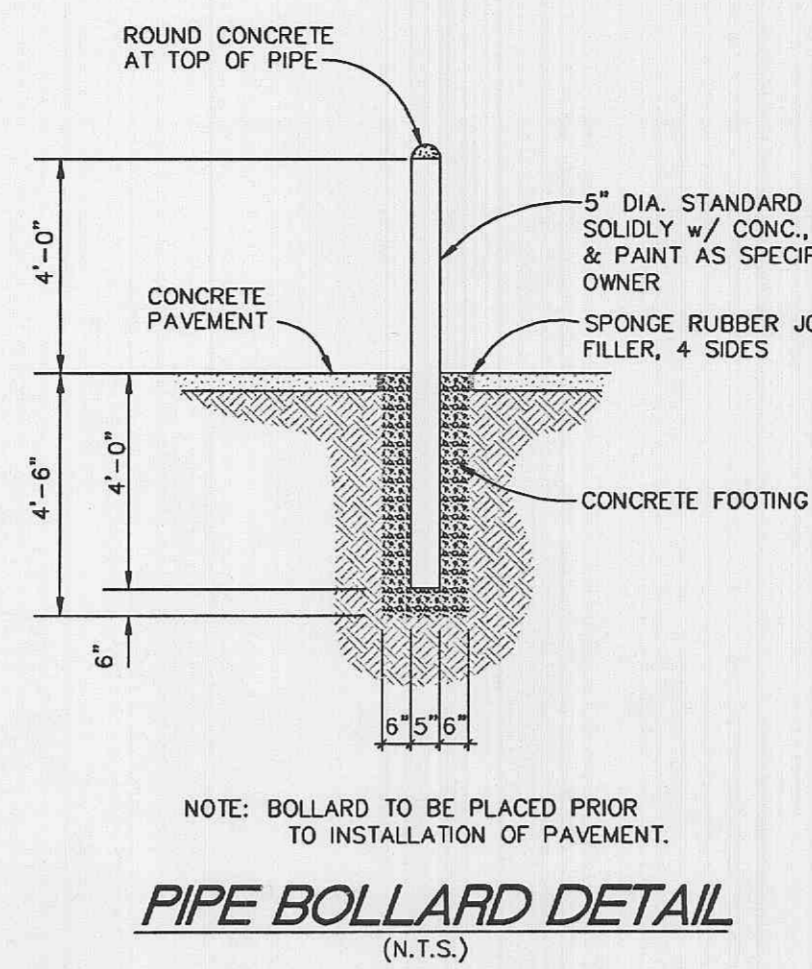
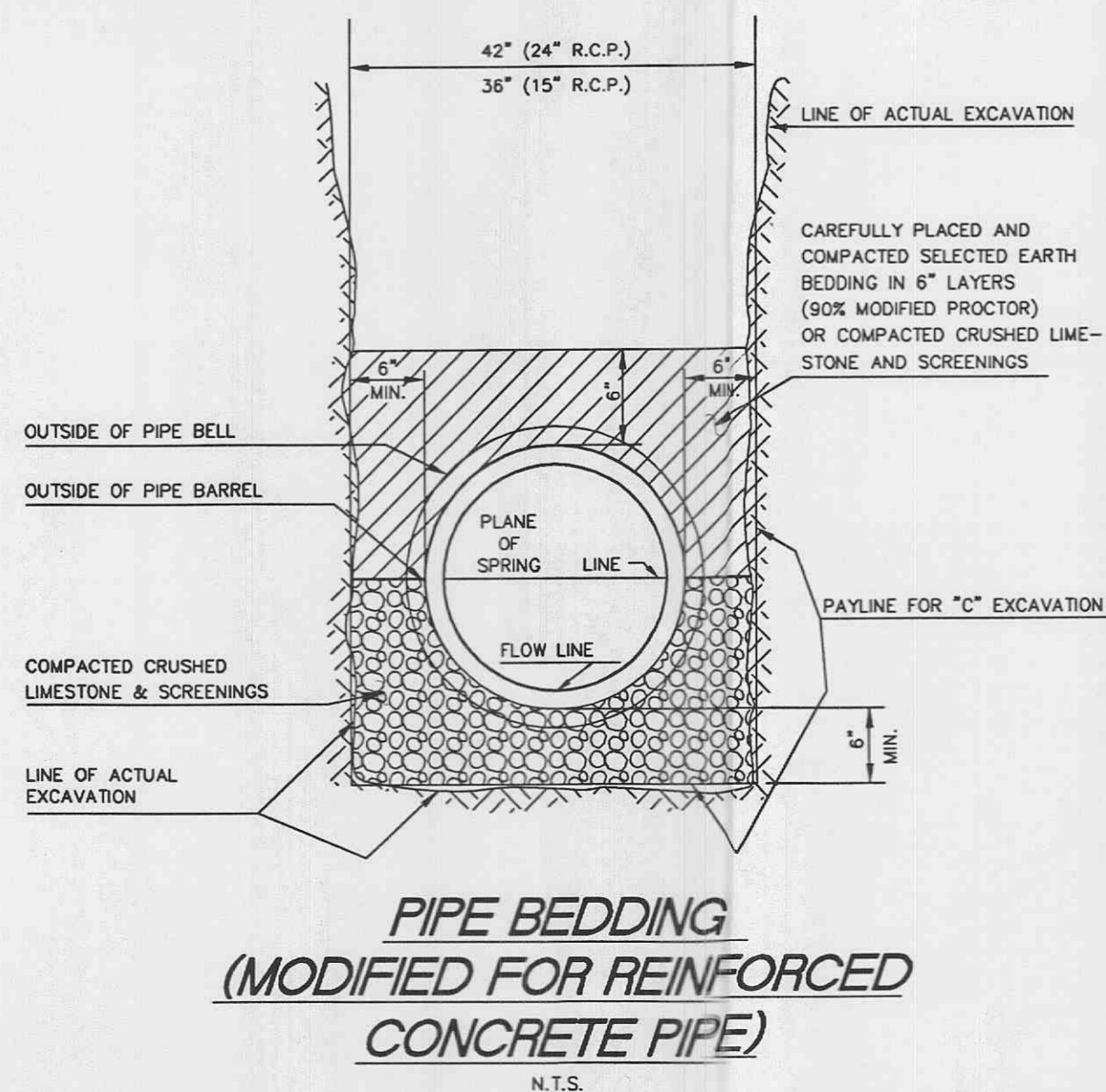
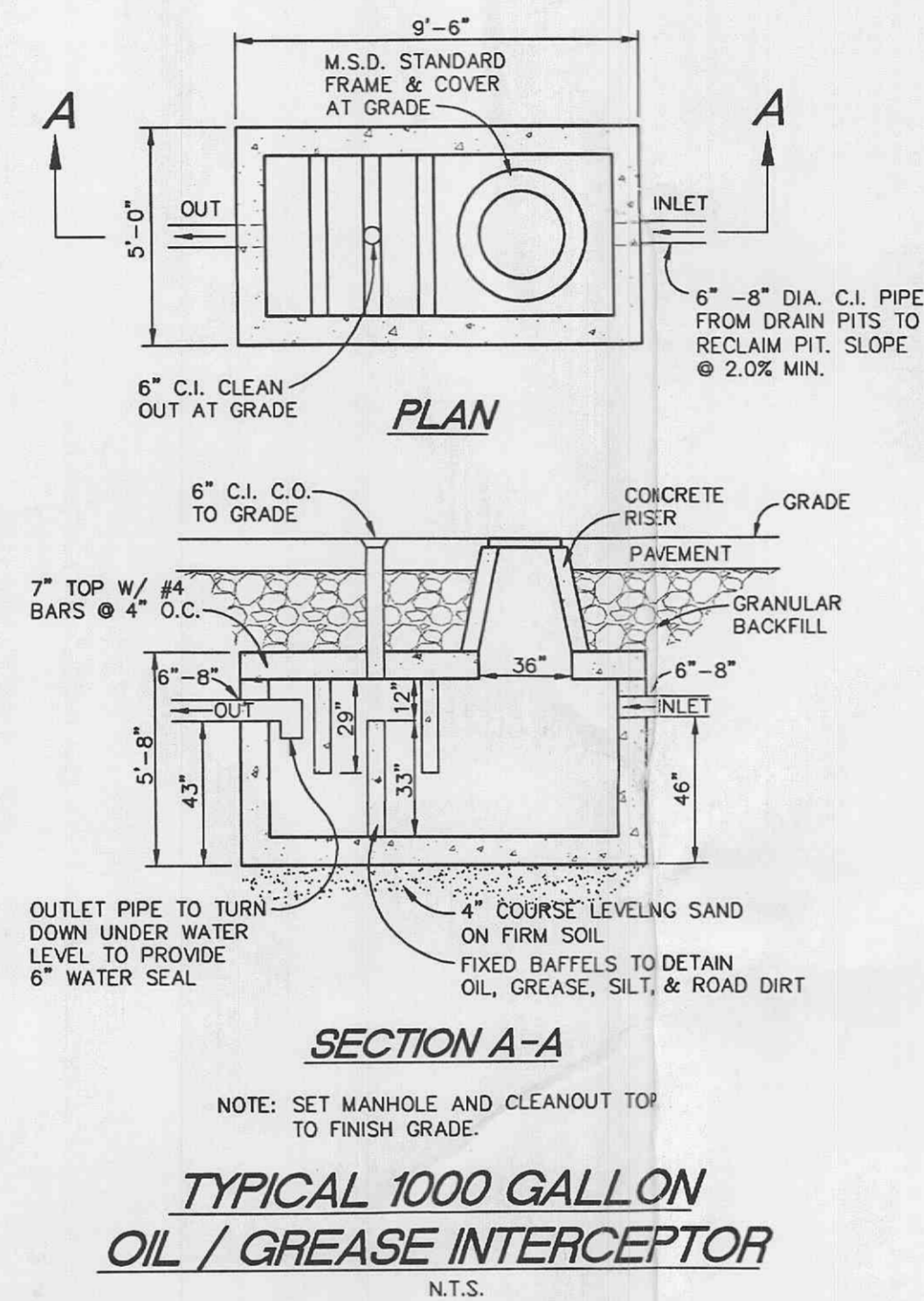
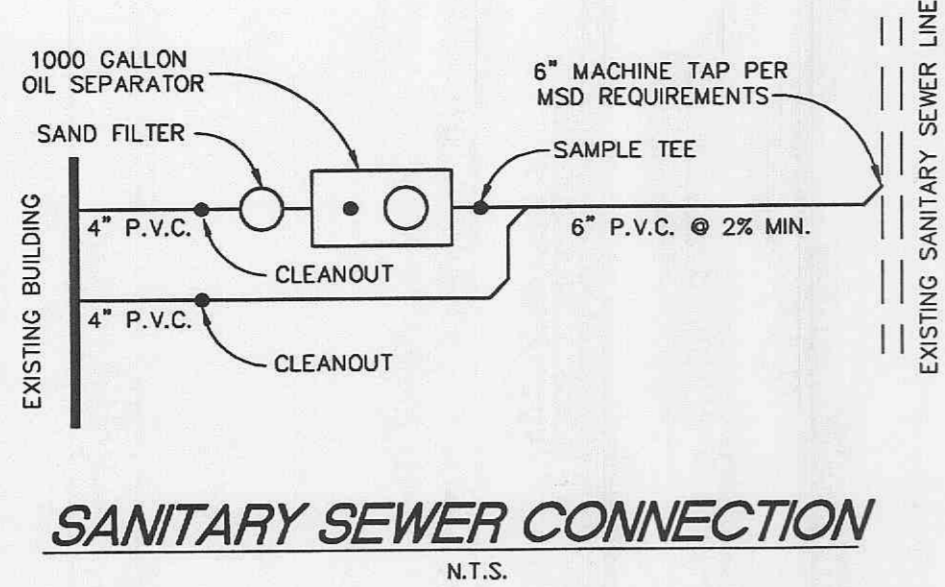
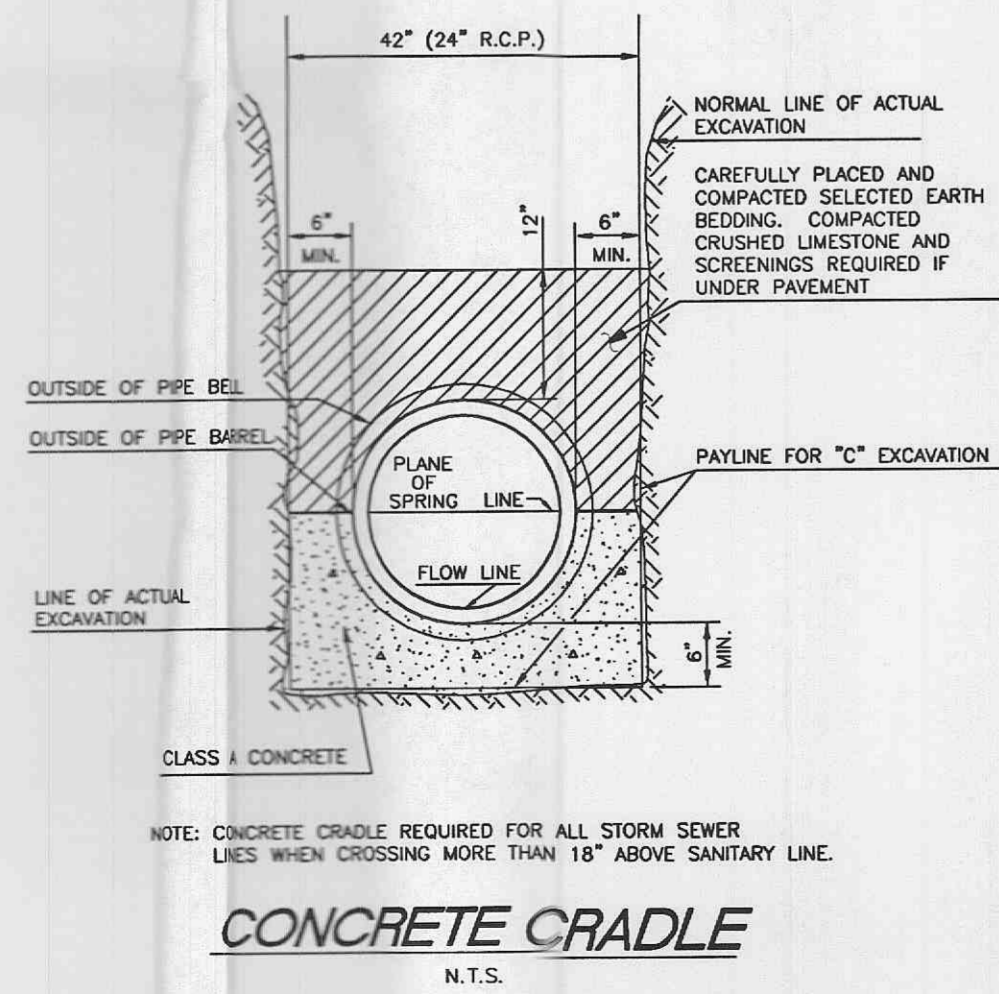
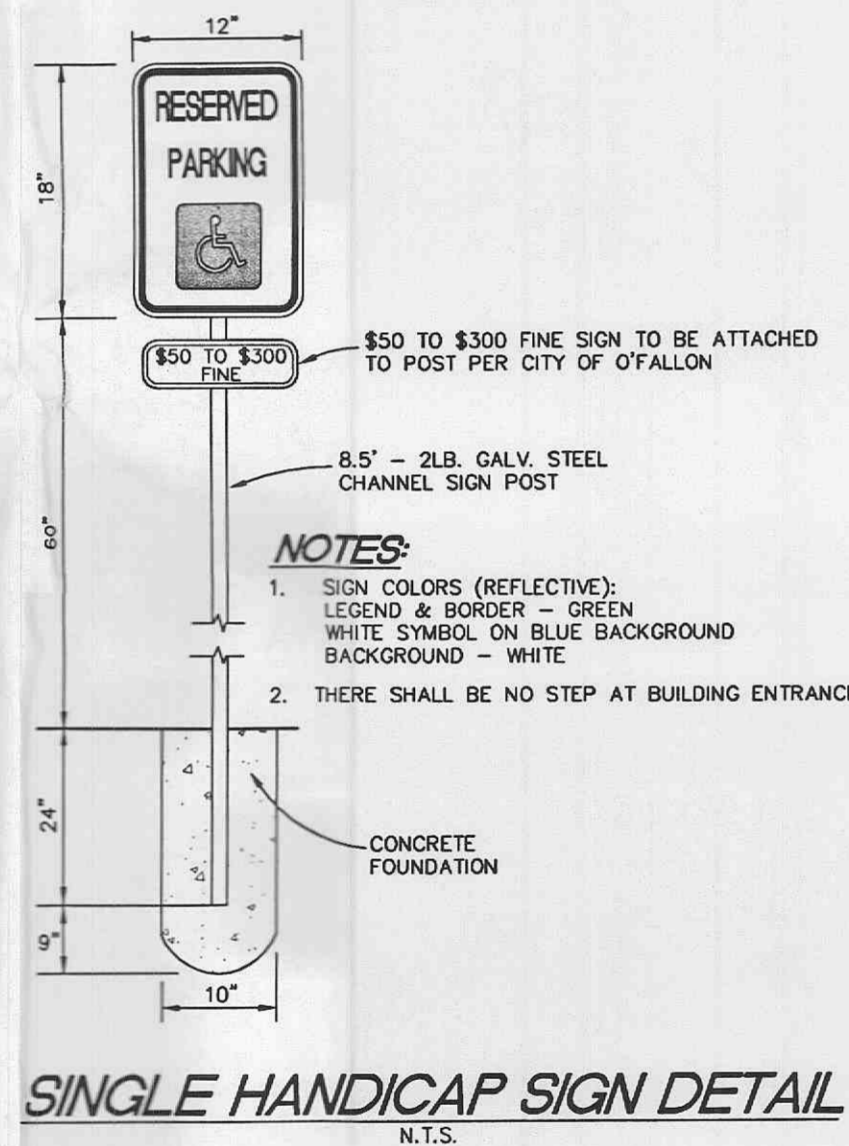
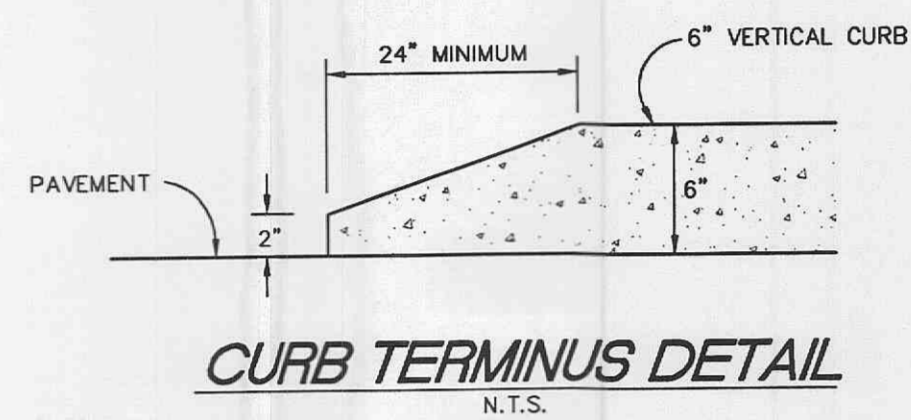


PRECAST CONCRETE WHEEL STOP
N.T.S.

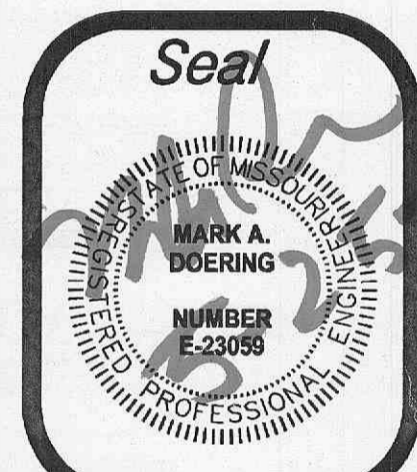


Comment	1-COMMENTS PER CLIENT
Revised	2-COMMENTS PER CLIENT
2/5/04	4/27/04
2/19/04	

Engineered By:

DOERING ENGINEERING, INC.
CIVIL ENGINEERING • PLANNING • SURVEYING

4680 Lemay Ferry Road
Suite 220
Saint Louis, Missouri 63129
Telephone: (314) 487-2000
E-Mail: mdoering@doeringeng.com



MID AMERICA PETERBILT
#1 North Central Drive O'Fallon, Missouri 63366

DETAILS

Date: 12/23/03	Order Number: 03072
File Name: 03072cd	Drawn By: DRG
Check By: MAD	Sheet
Base Mod: N/A	
MSD P#	
N/A	

PZ# 5803