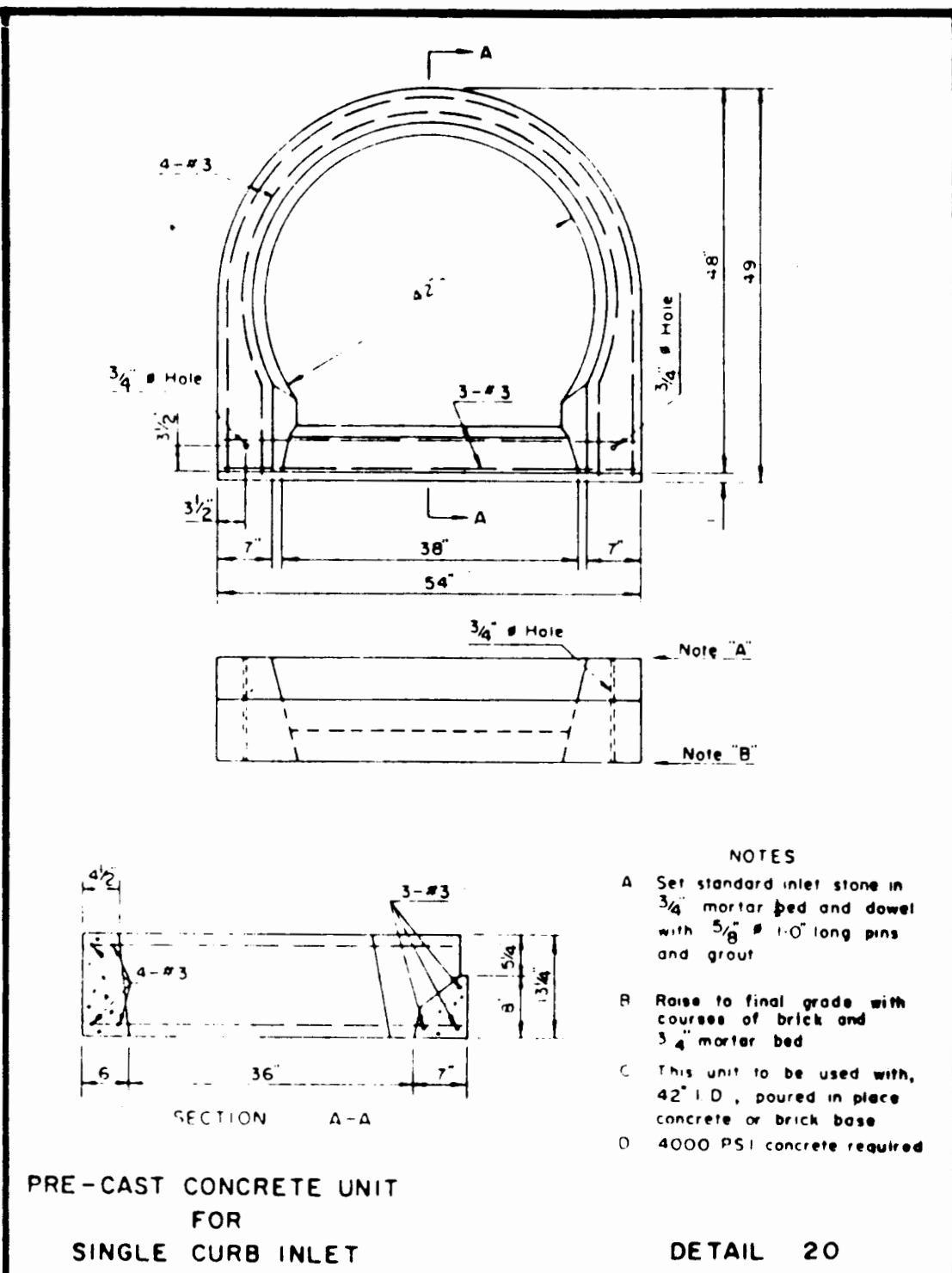
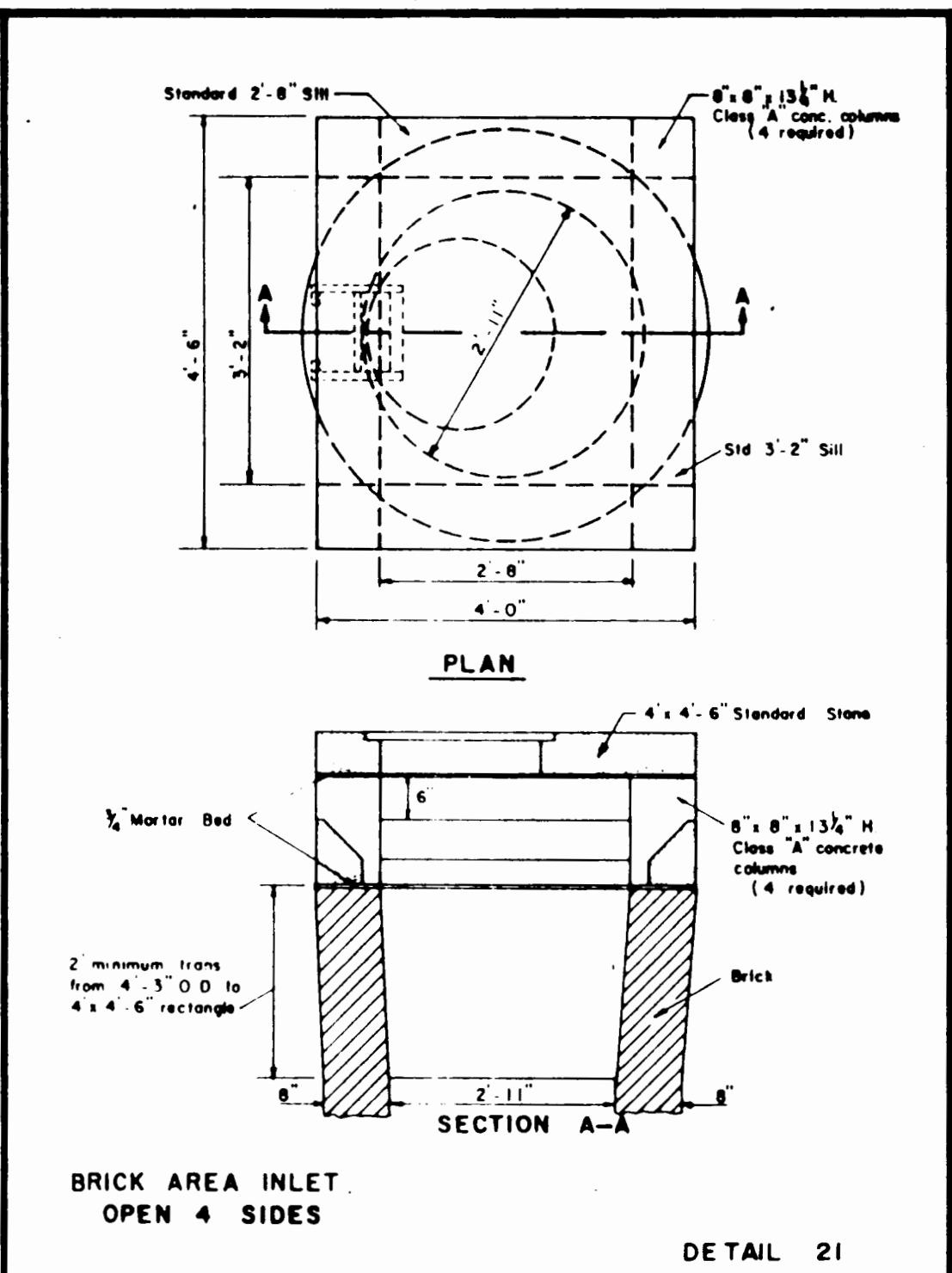


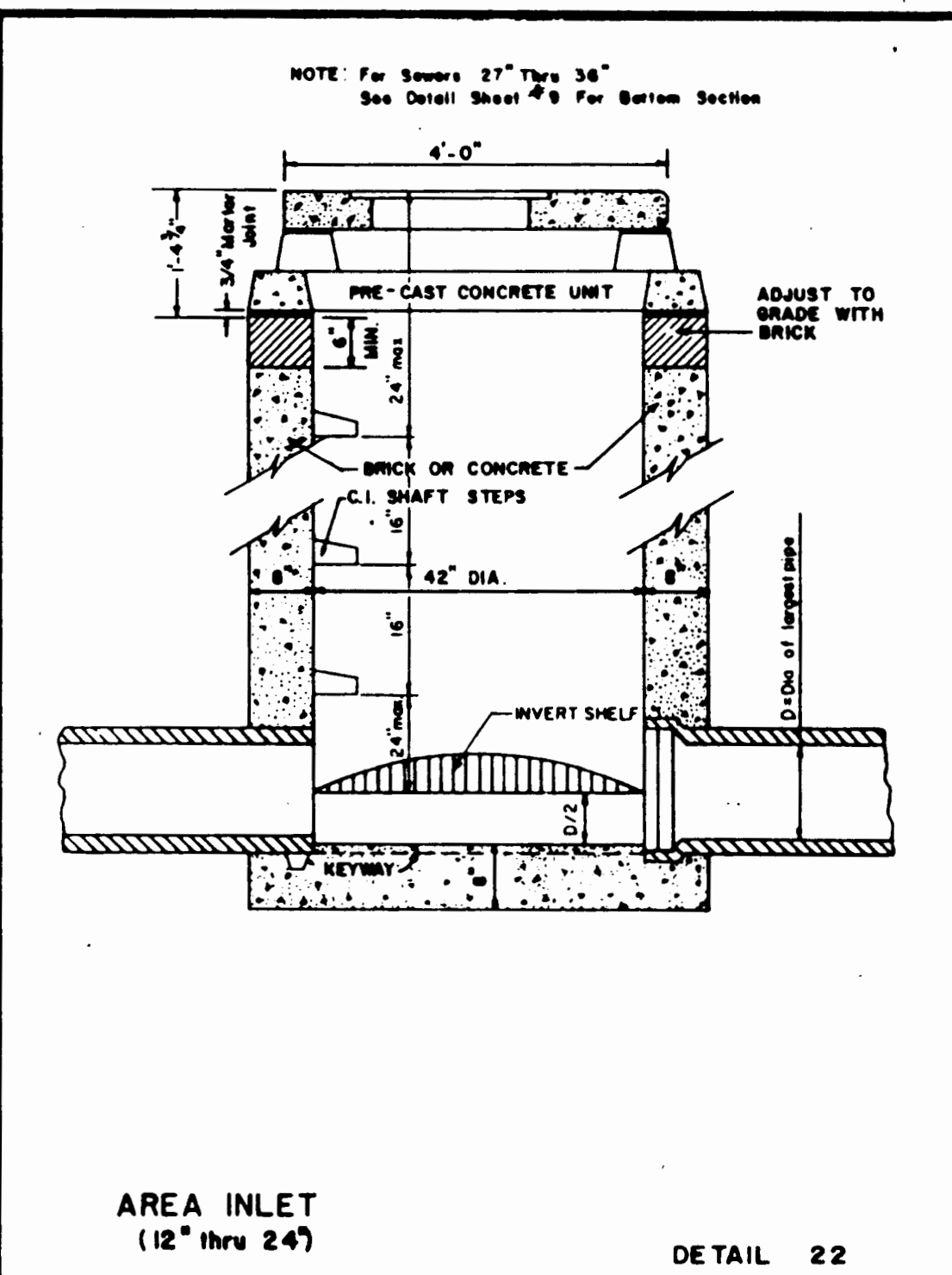
UNTRAPPED STREET INLET
BRICK CONSTRUCTION
DETAIL 19



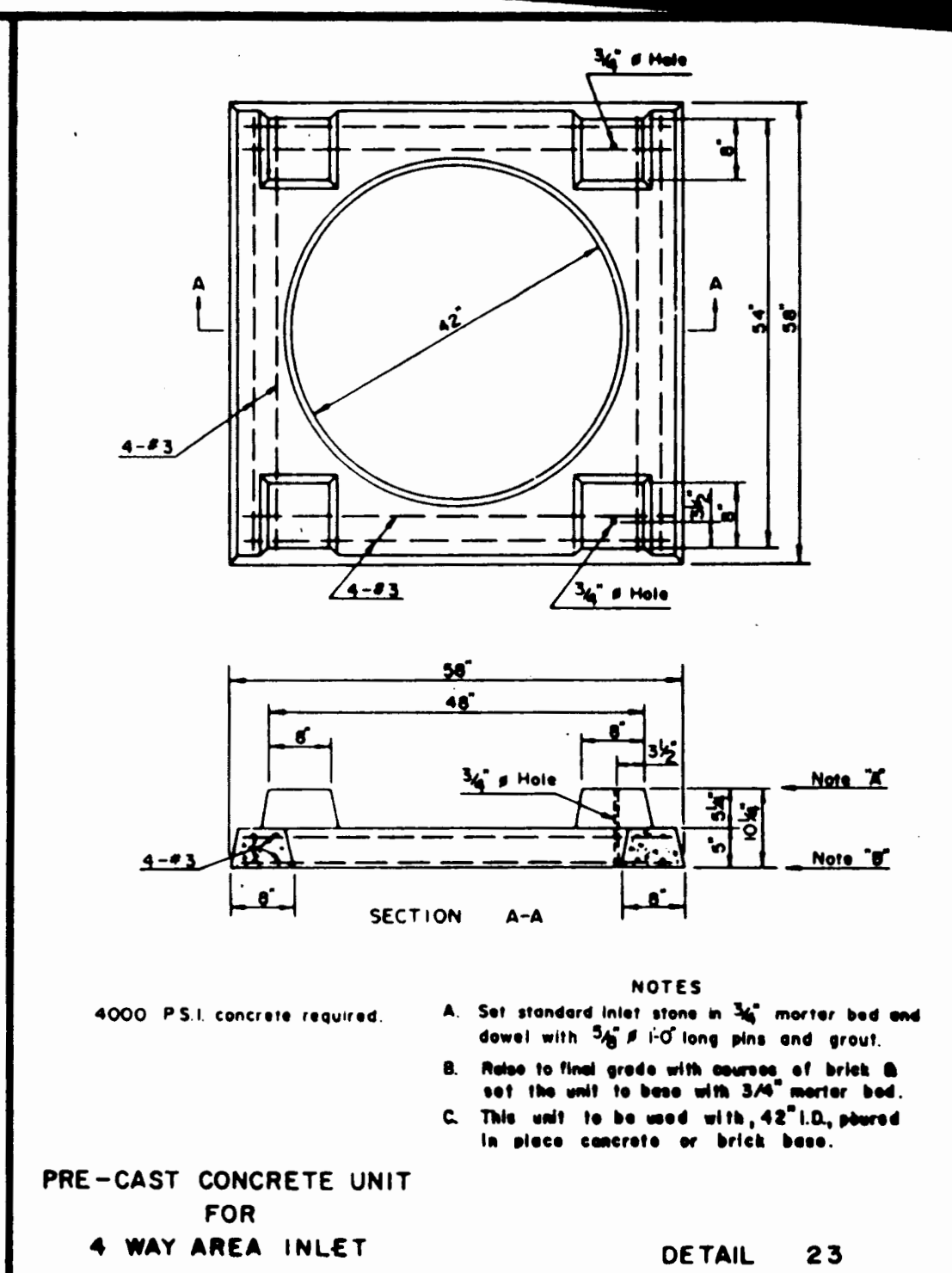
PRE-CAST CONCRETE UNIT
FOR
SINGLE CURB INLET
DETAIL 20



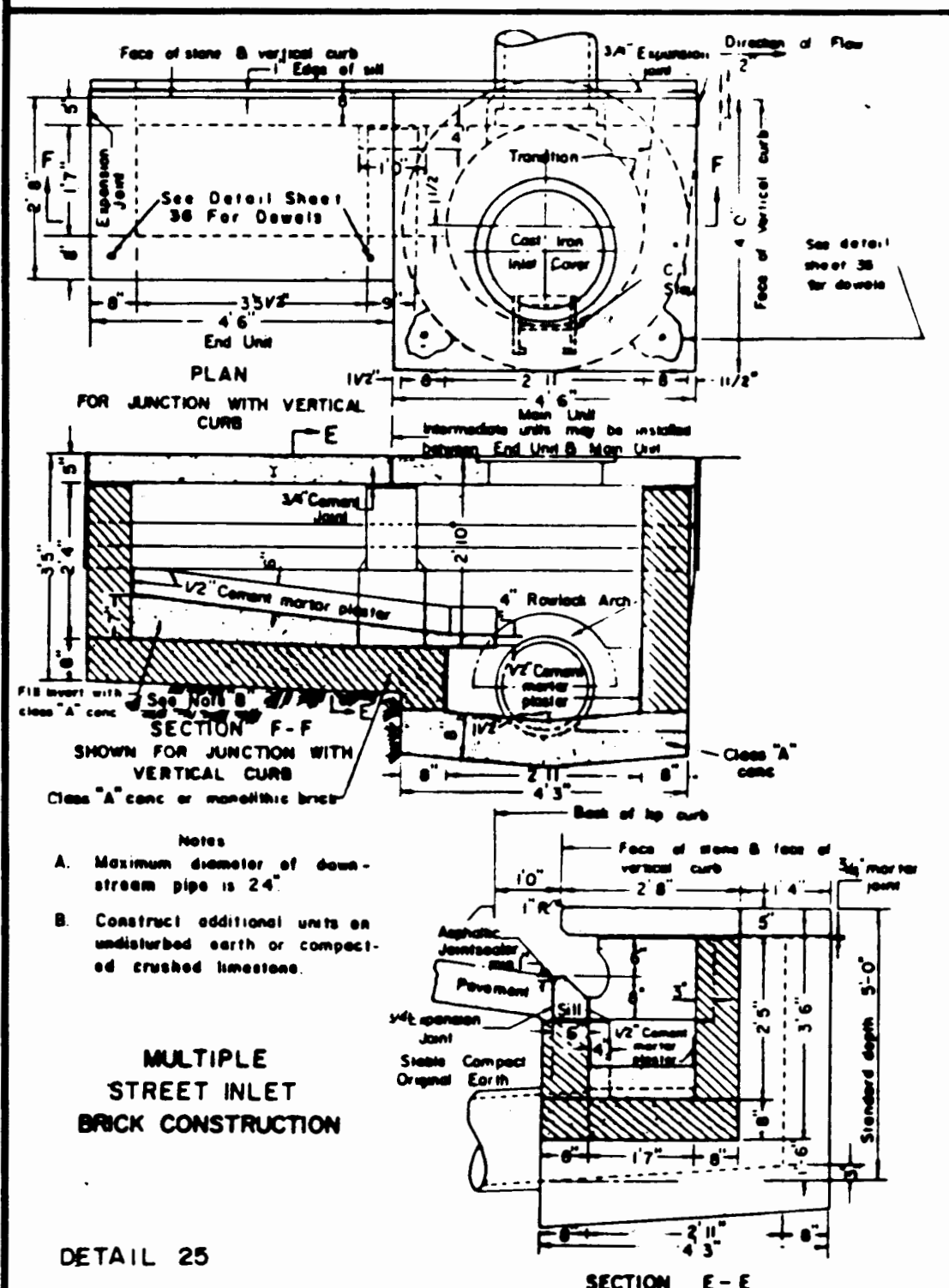
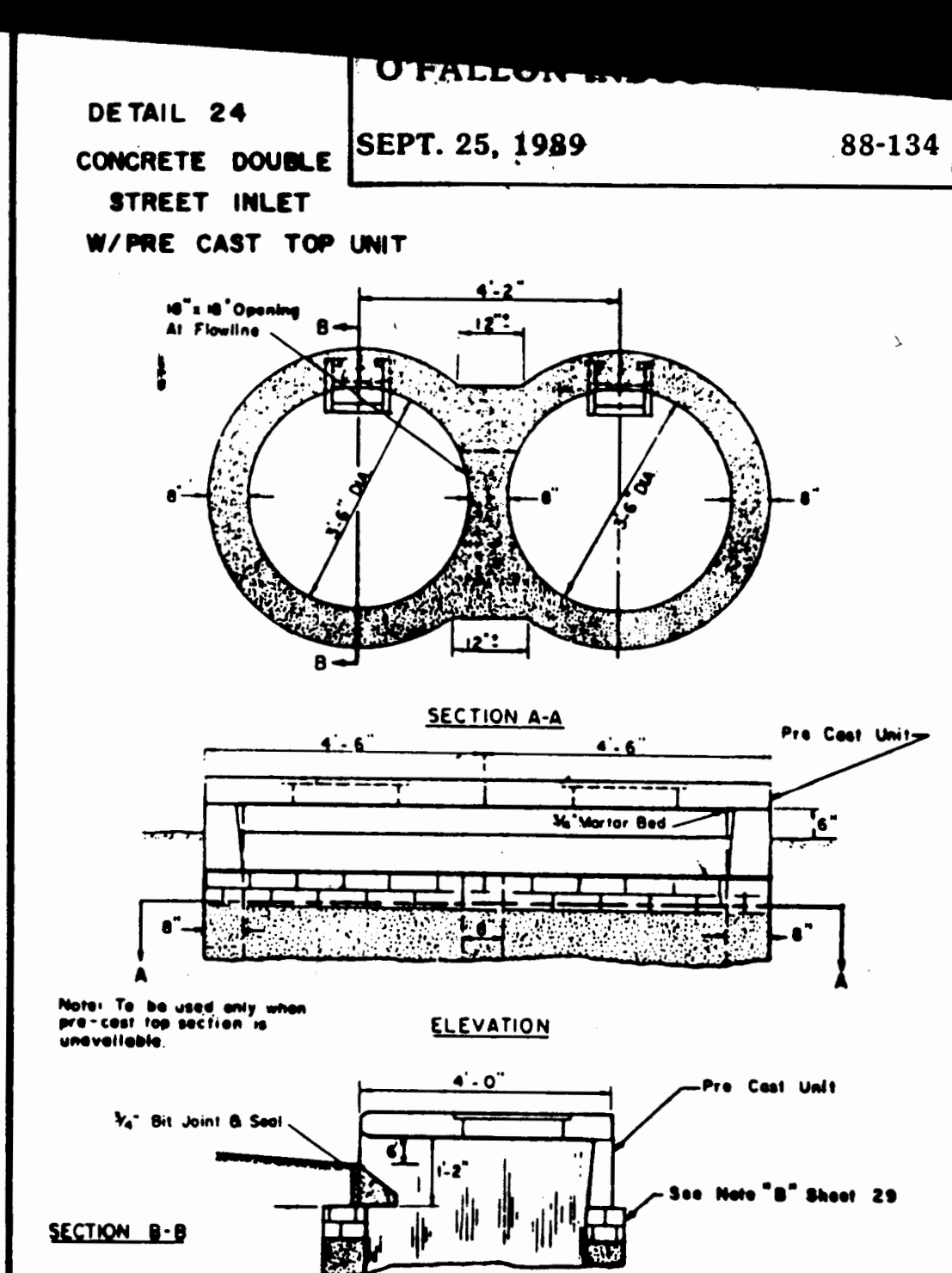
BRICK AREA INLET
OPEN 4 SIDES
DETAIL 21



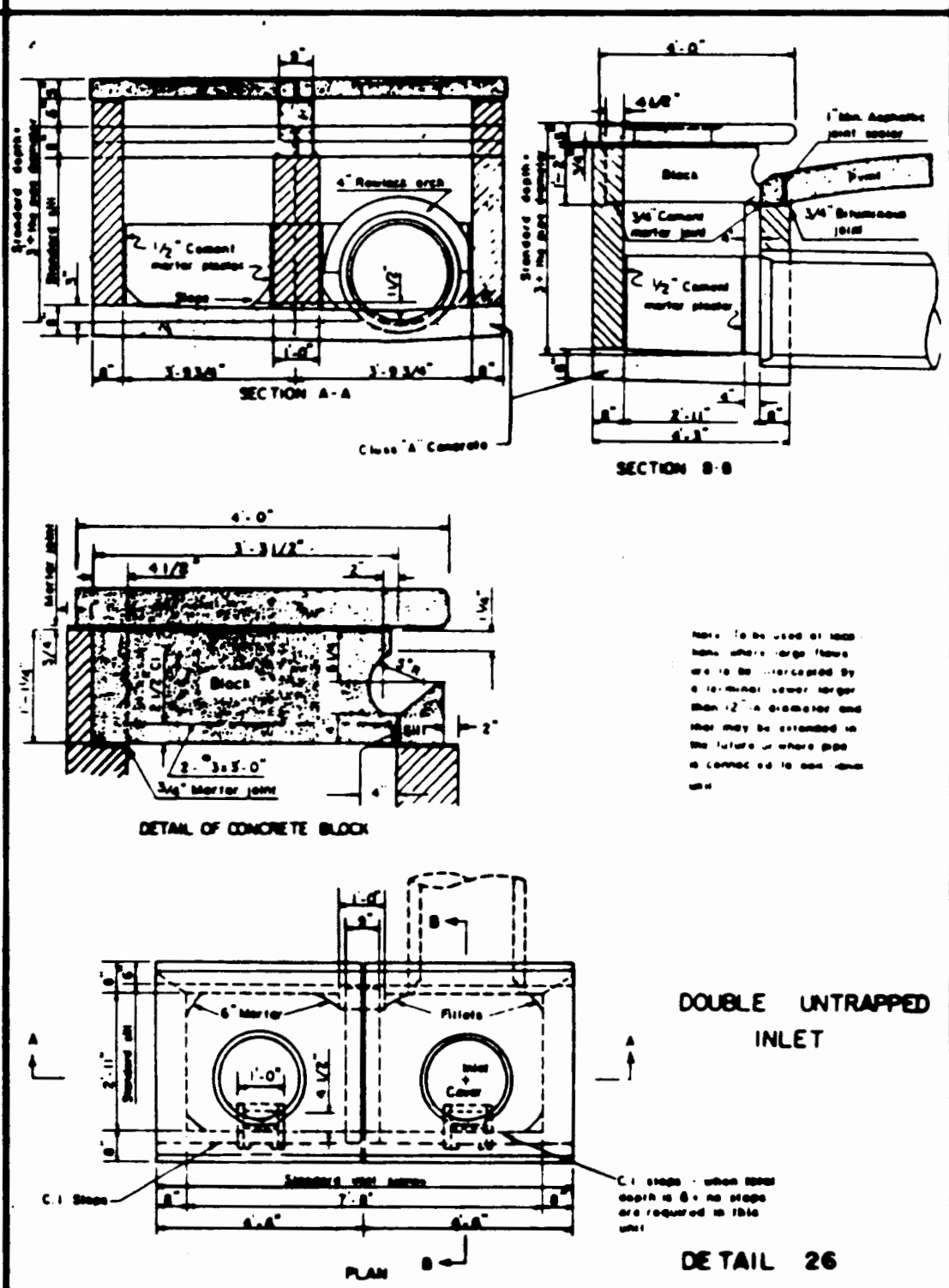
AREA INLET
(12" thru 24")
DETAIL 22



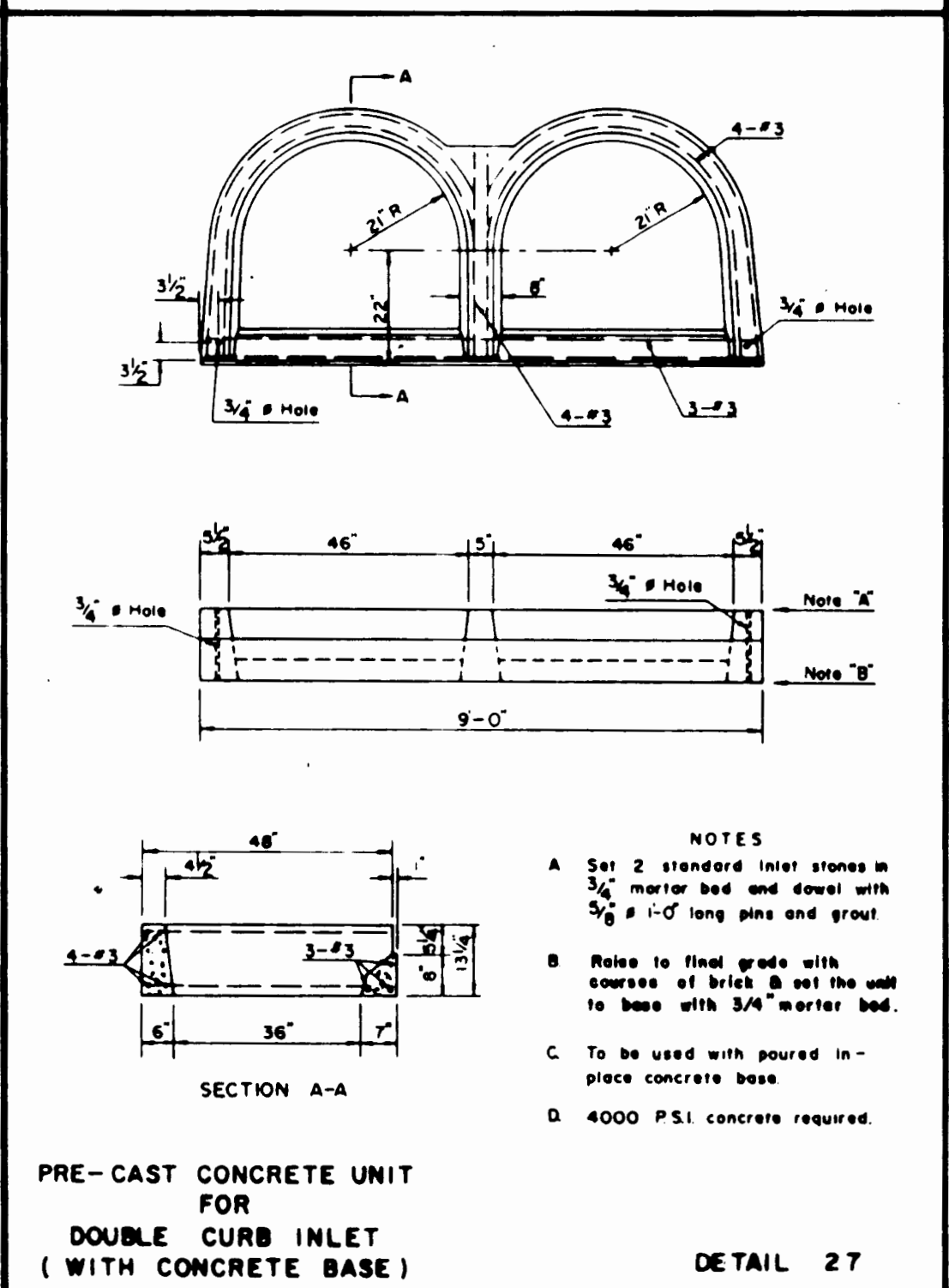
PRE-CAST CONCRETE UNIT
FOR
4 WAY AREA INLET
DETAIL 23



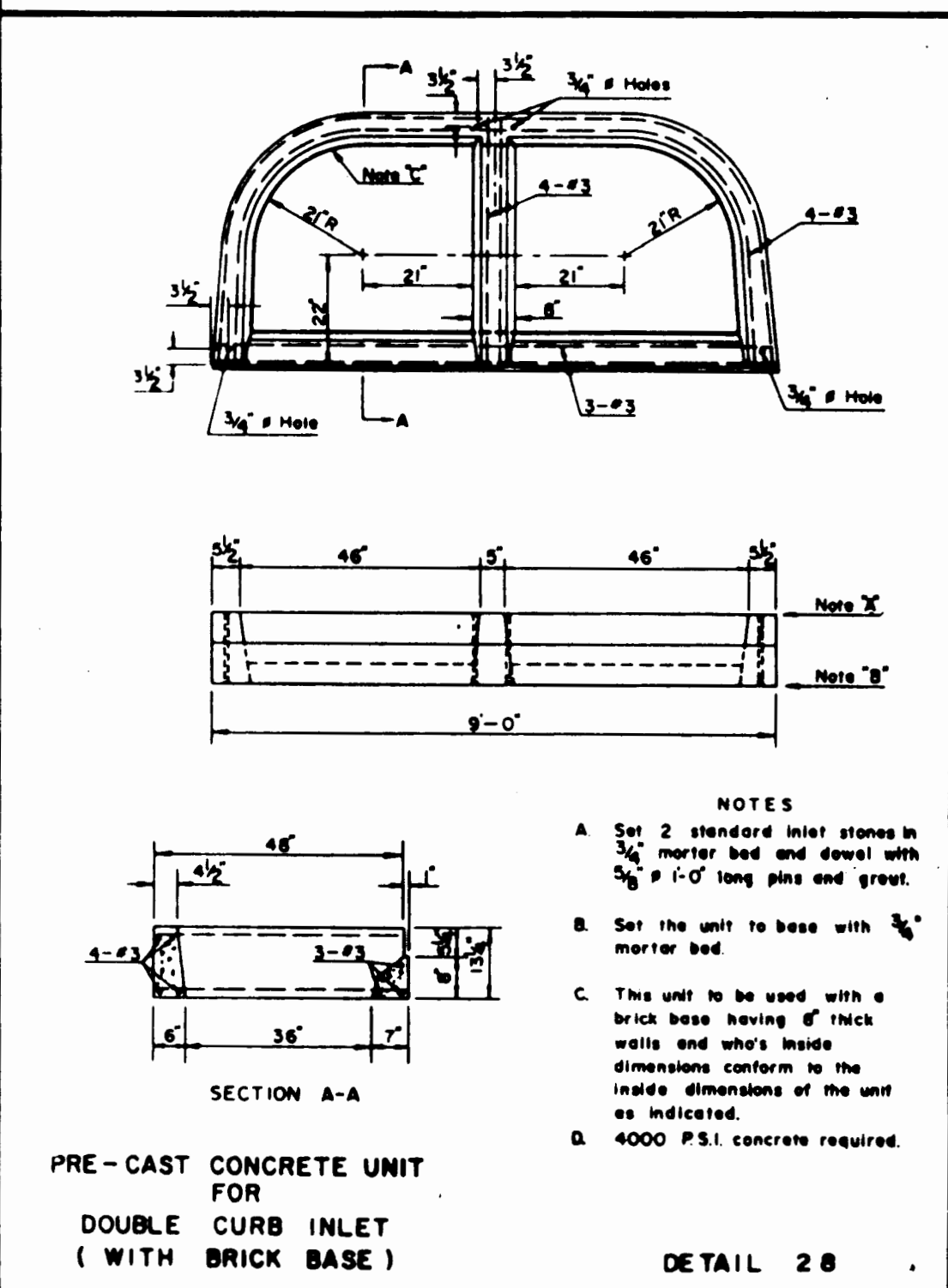
MULTIPLE
STREET INLET
BRICK CONSTRUCTION
DETAIL 25



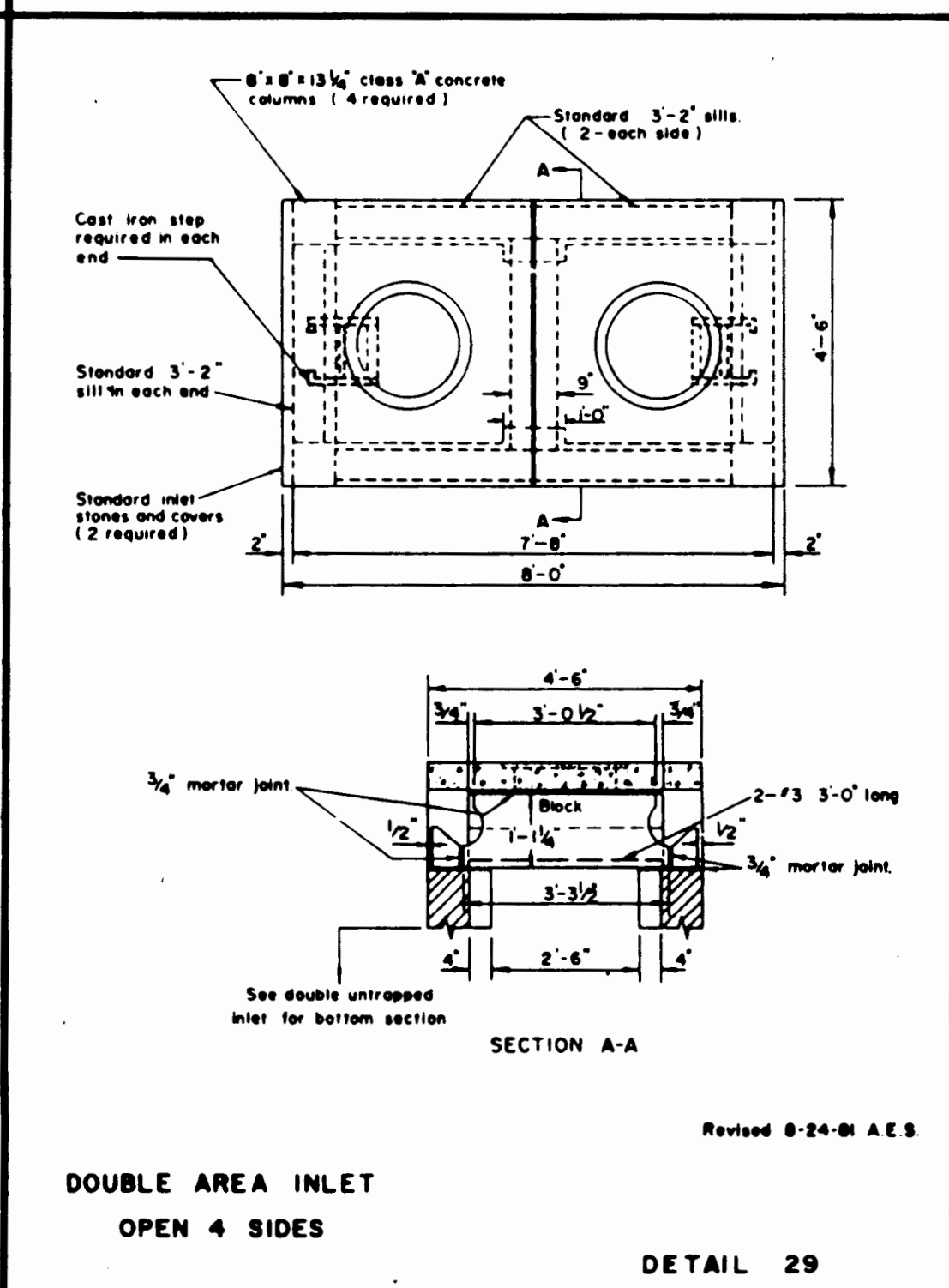
DOUBLE UNTRAPPED
INLET
DETAIL 26



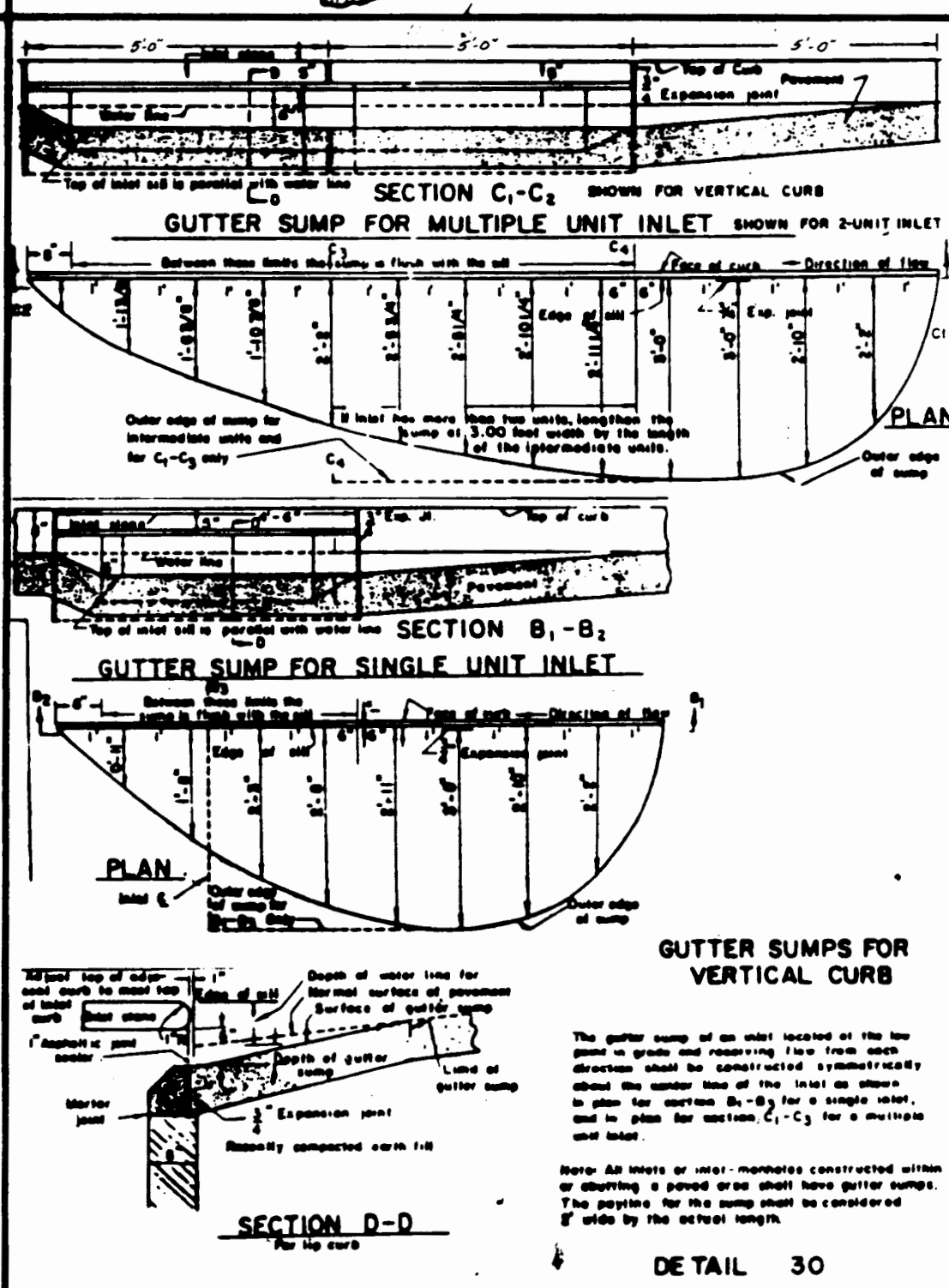
PRE-CAST CONCRETE UNIT
FOR
DOUBLE CURB INLET
(WITH CONCRETE BASE)
DETAIL 27



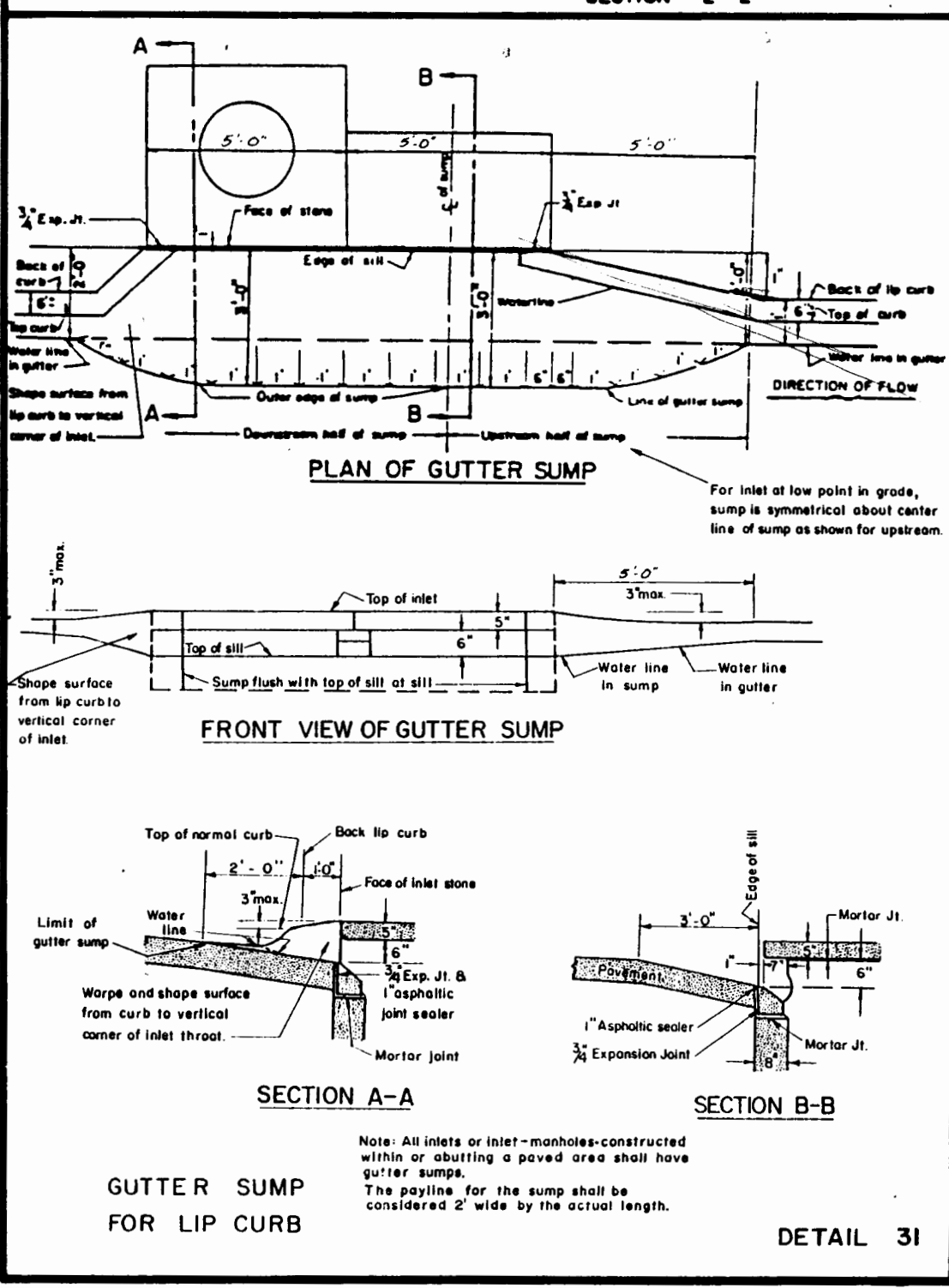
PRE-CAST CONCRETE UNIT
FOR
DOUBLE CURB INLET
(WITH BRICK BASE)
DETAIL 28



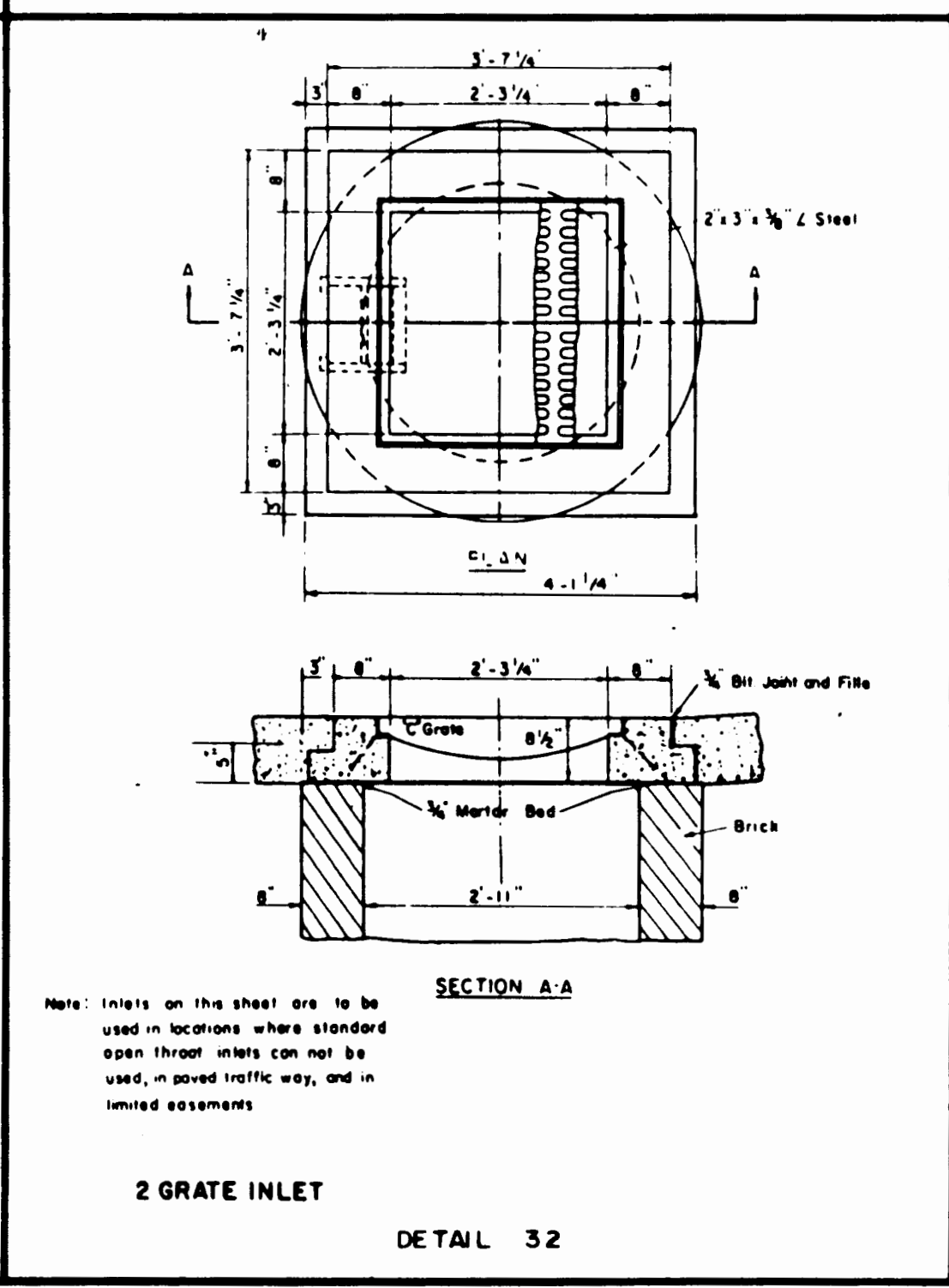
DOUBLE AREA INLET
OPEN 4 SIDES
DETAIL 29



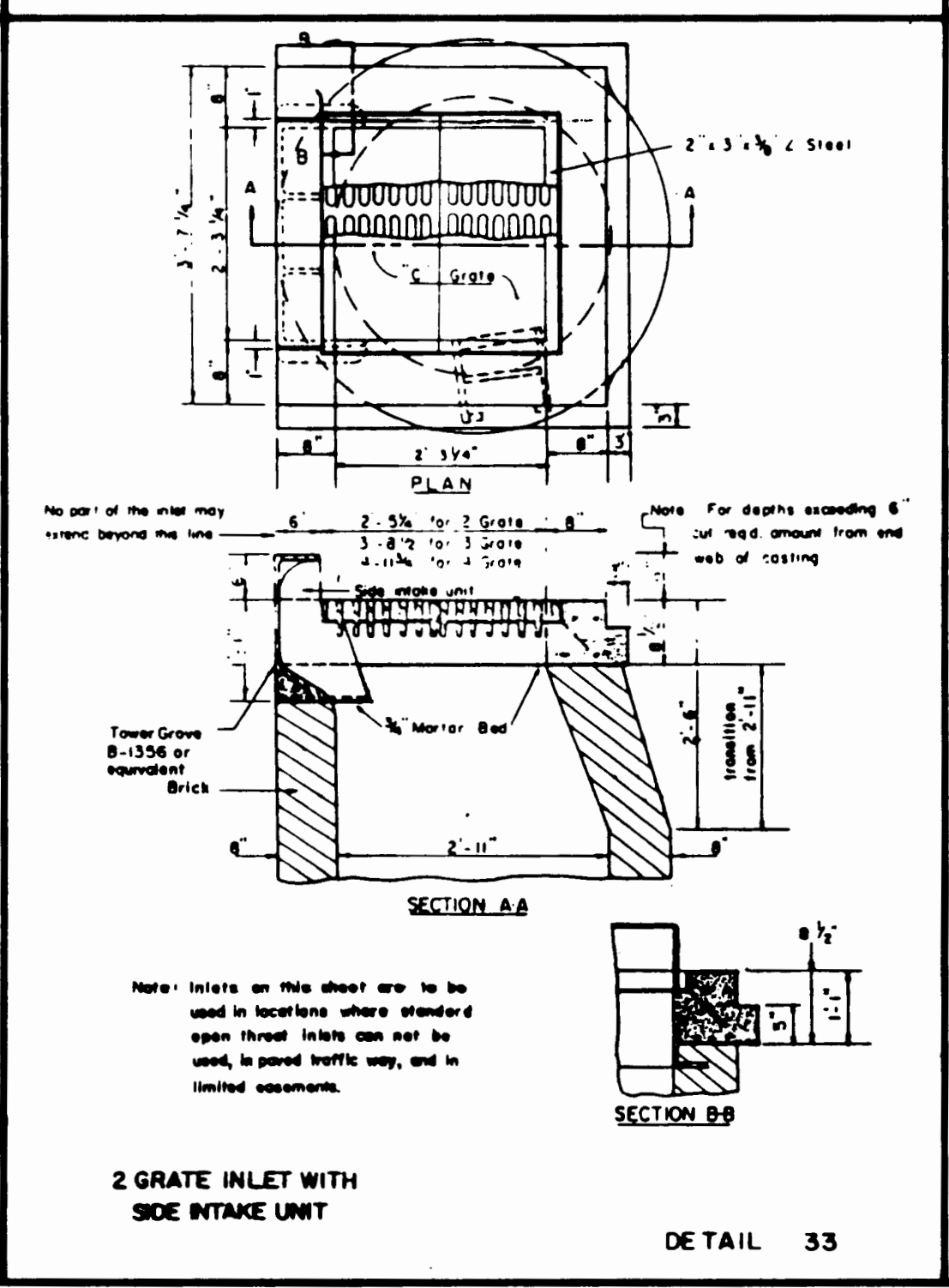
GUTTER SUMP FOR MULTIPLE UNIT INLET
GUTTER SUMP FOR SINGLE UNIT INLET
DETAIL 30



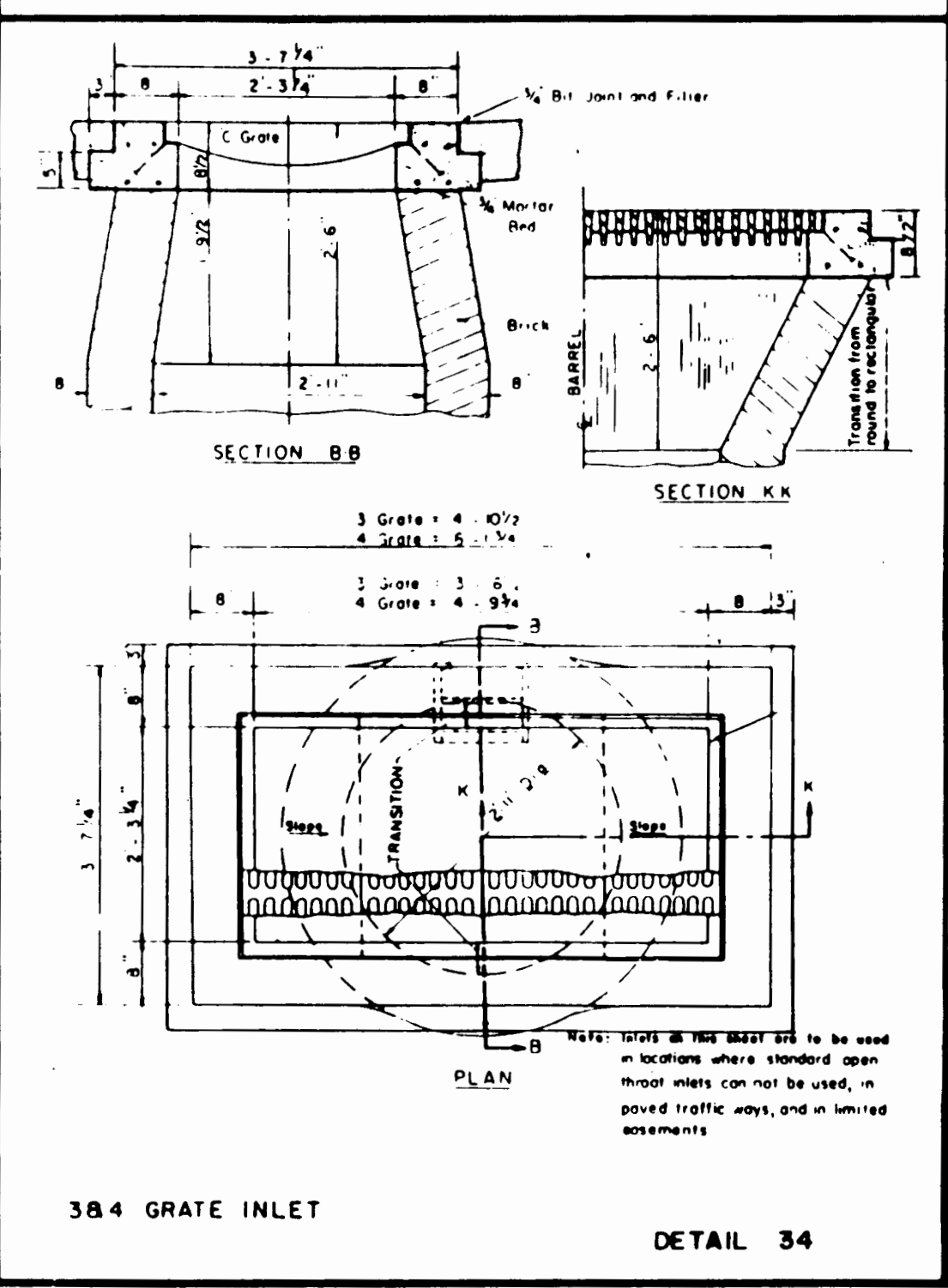
GUTTER SUMP
FOR LIP CURB
DETAIL 31



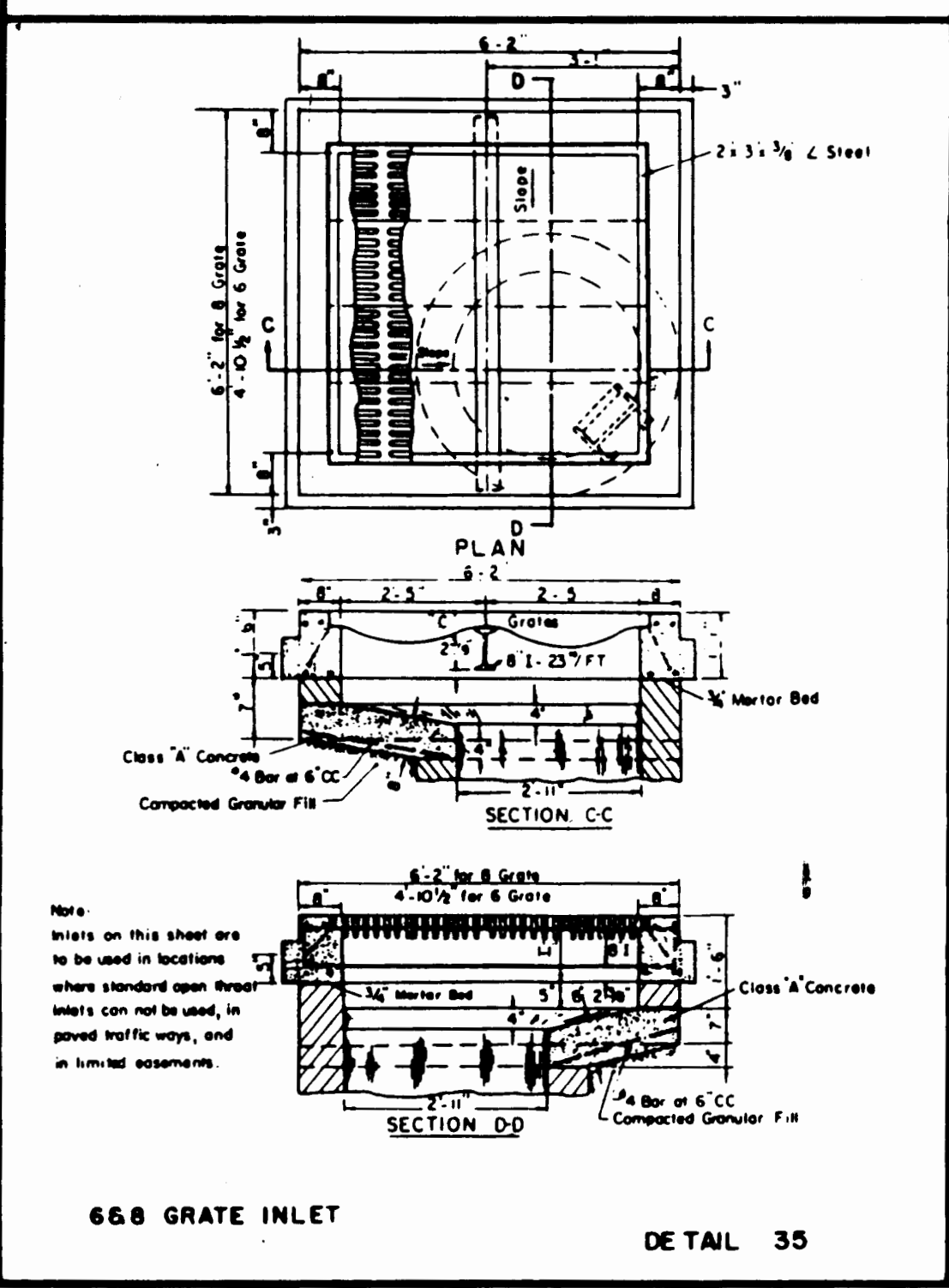
2 GRATE INLET
DETAIL 32



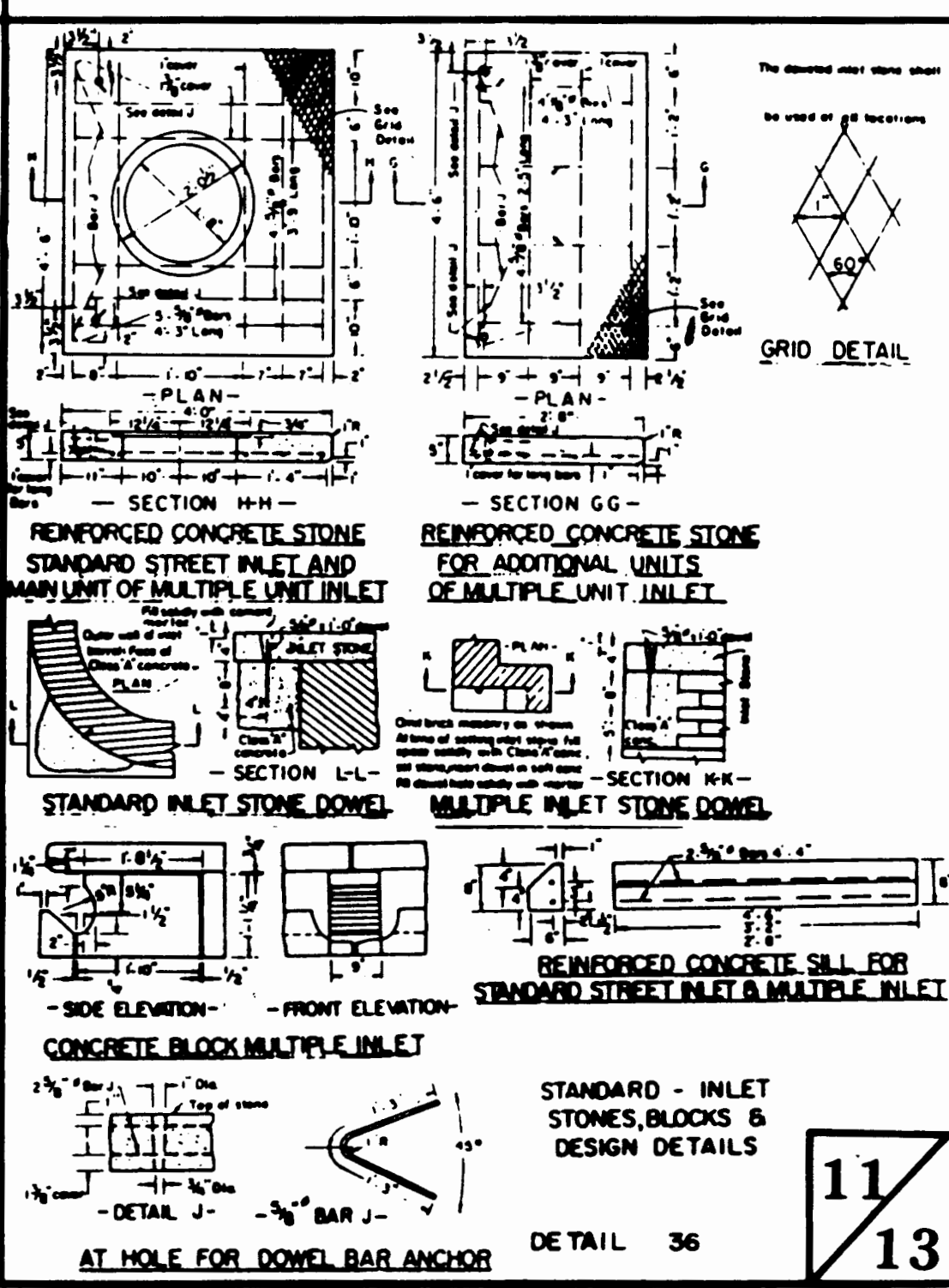
2 GRATE INLET WITH
SIDE INTAKE UNIT
DETAIL 33



3/8 4 GRATE INLET
DETAIL 34



6/8 8 GRATE INLET
DETAIL 35



REINFORCED CONCRETE STONE
FOR STANDARD STREET INLET AND
MULTIPLE UNIT INLET
DETAIL 36