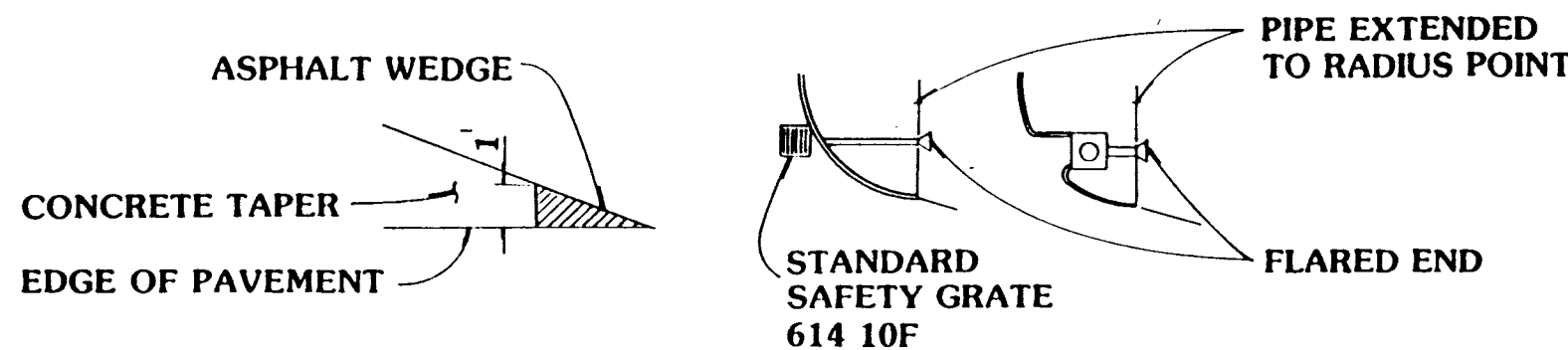
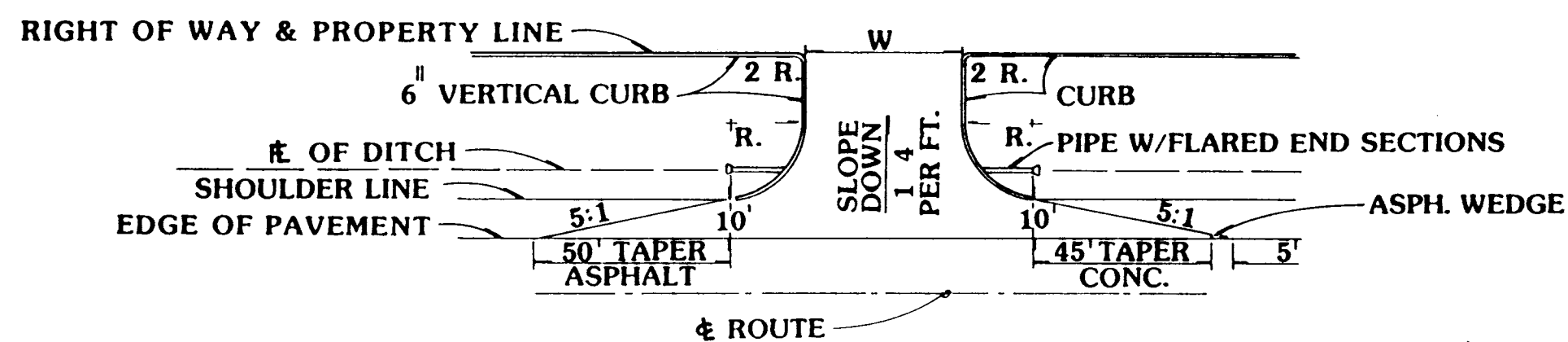


- CONCRETE SURFACE**
- 6 Sack Mix
  - 8" Concrete
  - 6 X 6 X 6 Steel Mesh (3" below finished grade)
  - 3/4" Expansion Material
  - 4" Rolled Stone Base
  - Integral Concreate curb (6" Vertical) (5/8" Steel Dowels # 2' C-C)
- ASPHALT SURFACE**
- 8" Rolled Stone Base or 6" Type X (Black Base)
  - 3" Asphalt Top (Type C)
  - Asphalt Curb (6" Vertical)

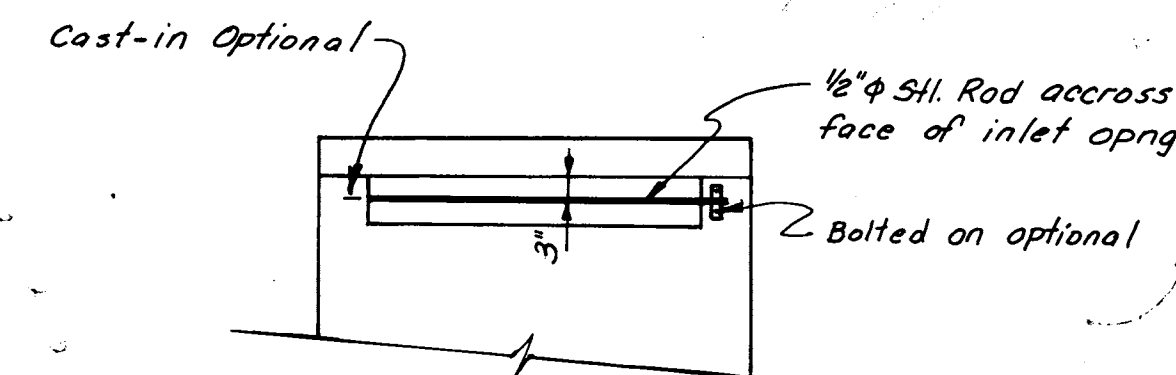


NOTE:  
This guide illustrates entrance details for minimum situations. Traffic volumes generated, safety considerations, drainage considerations, local requirements, etc., may dictate more.

**GRATE INLET / CURB INLET**

**A GUIDE FOR DESIGN OF COMMERCIAL ENTRANCES  
30' TO 60' AT 15' FROM EDGE OF PAVEMENT & R/W LINE**

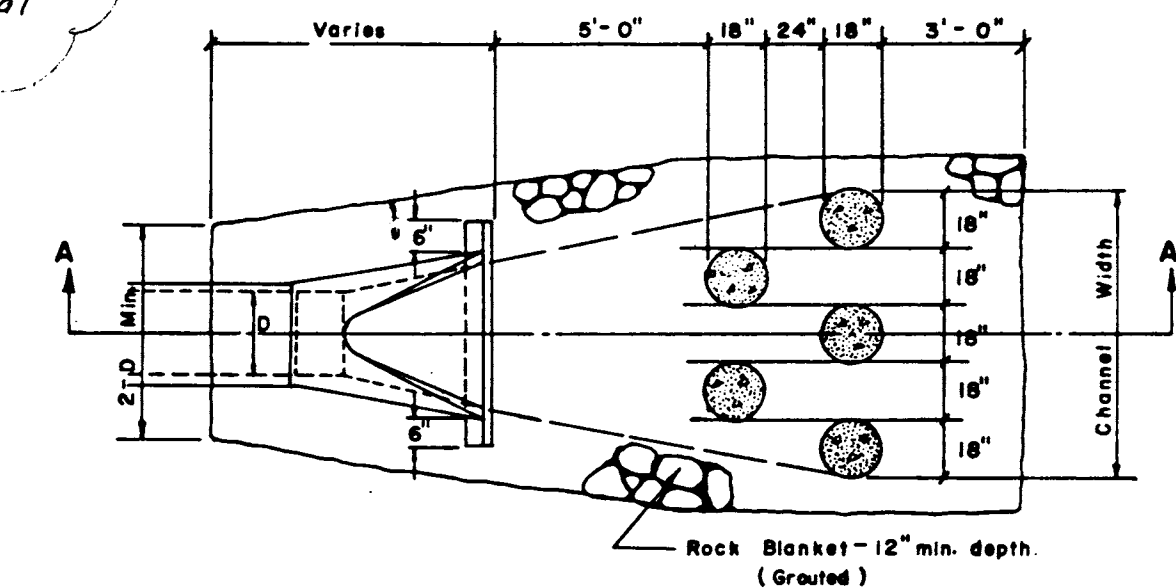
**STATE HIGHWAY ENTRANCE DETAIL  
N.T.S.**



**INLET SAFETY BAR DETAIL**

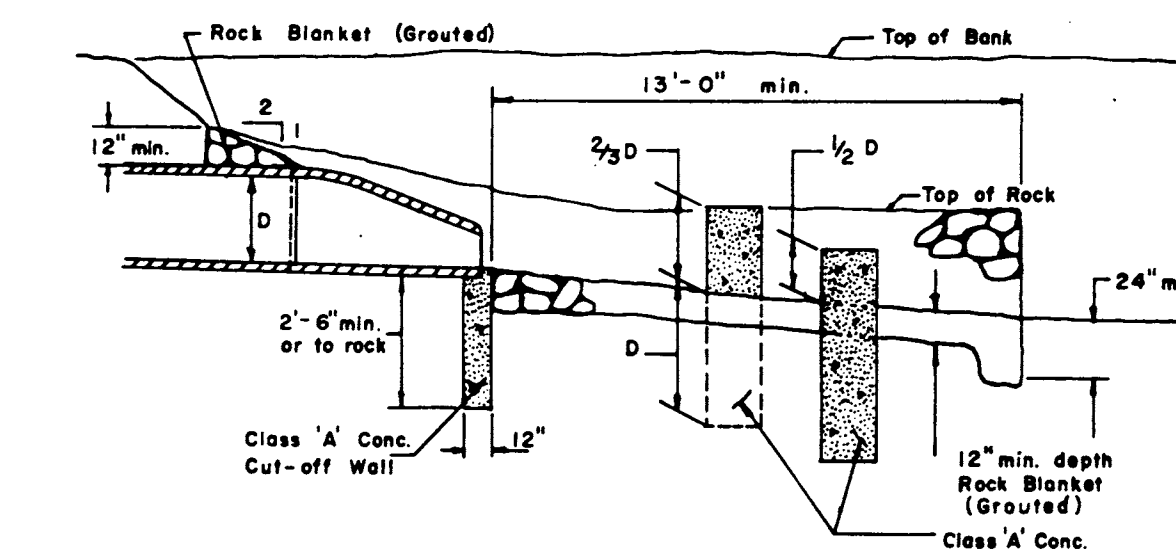
N.T.S.

NOTE: Required on all inlet openings.



**PLAN VIEW**

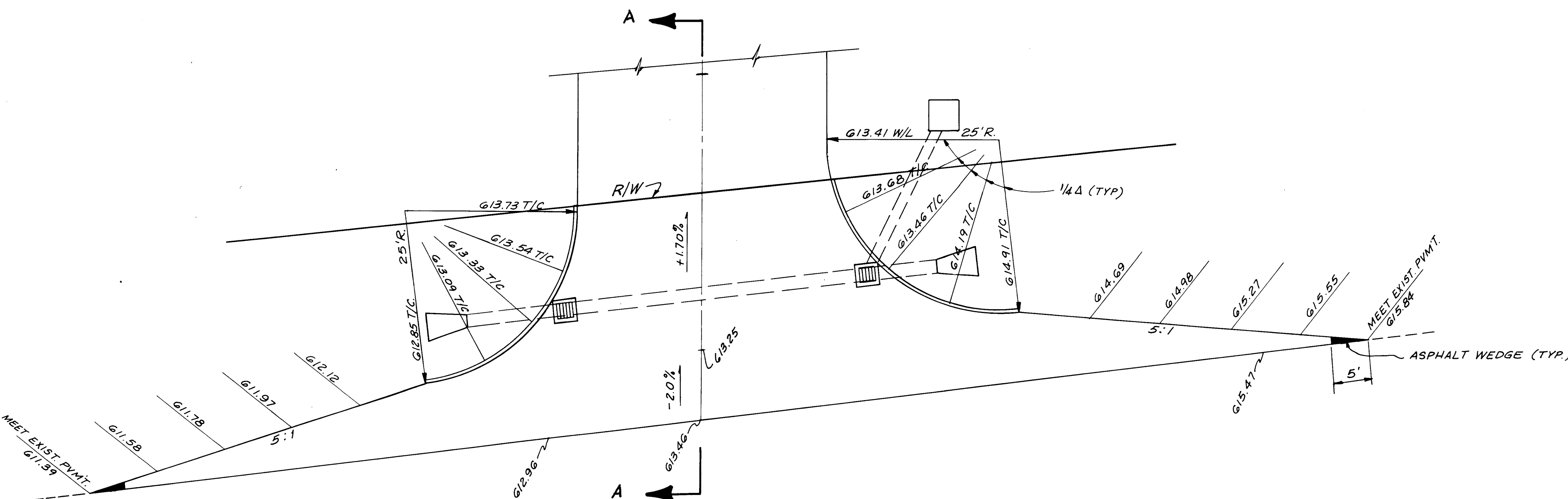
D = Diameter



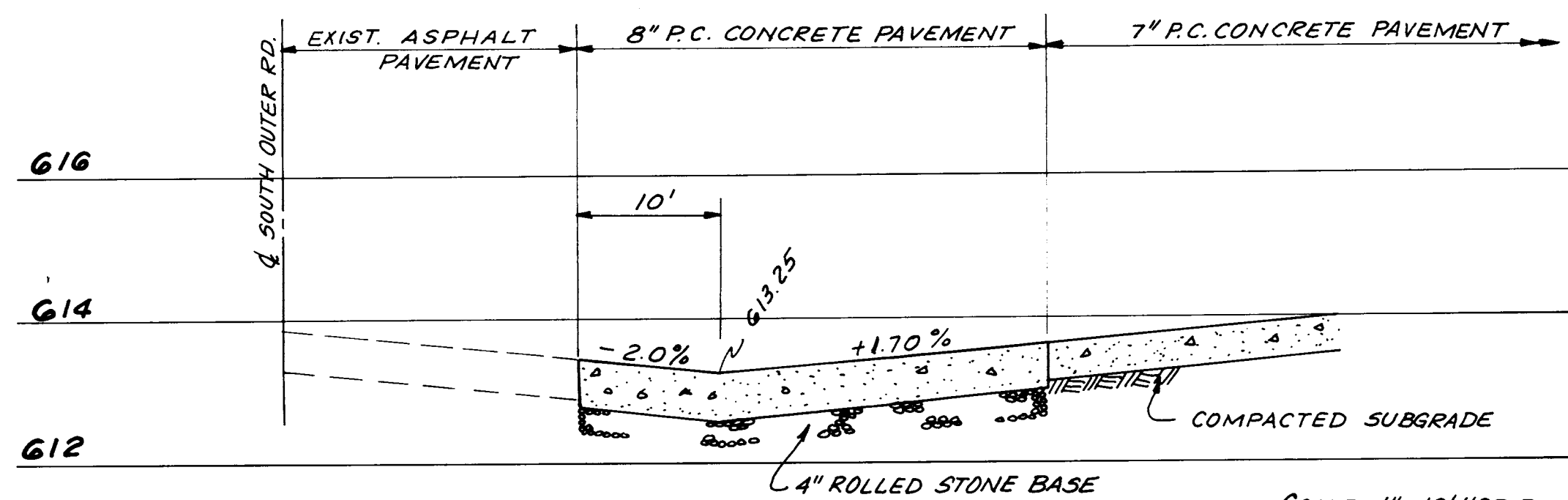
**SECTION A-A**

D = Diameter

**Flared End Section with Energy Dissipator  
FOR 12"-24" CULVERTS**

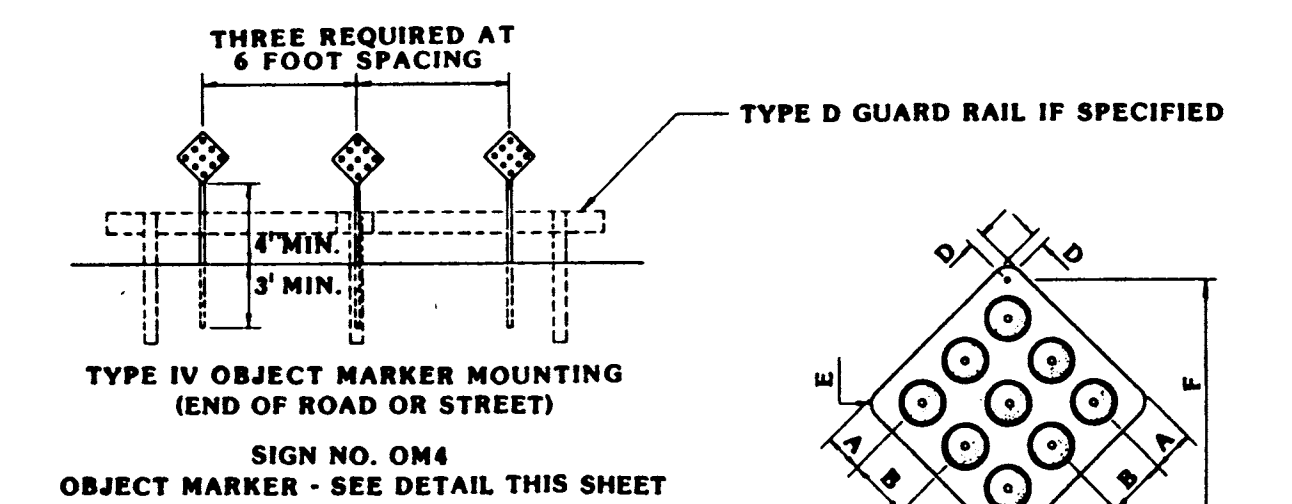


**PLAN  
SCALE: 1" = 10'**



**SECTION A-A  
ENTRANCE DETAIL**

SCALE: 1" = 10' HORIZ.  
1" = 2' VERT.



SIGN	A	B	C	D	E	F
18" x 18"	3-11/16"	3-5/16"	3-1/4"	1-1/4"	1-1/2"	22"

TYPE IV OBJECT MARKER IMMEDIATELY IN BACK OF GUARD RAIL  
TYPE IV OBJECT MARKER RED REFLECTOR ON RED BACKGROUND  
THICKNESS OF FLAT SHEET FOR TYPE IV OBJECT MARKER SHALL BE 0.063"

**BARRICADE DETAIL  
N.T.S.**

