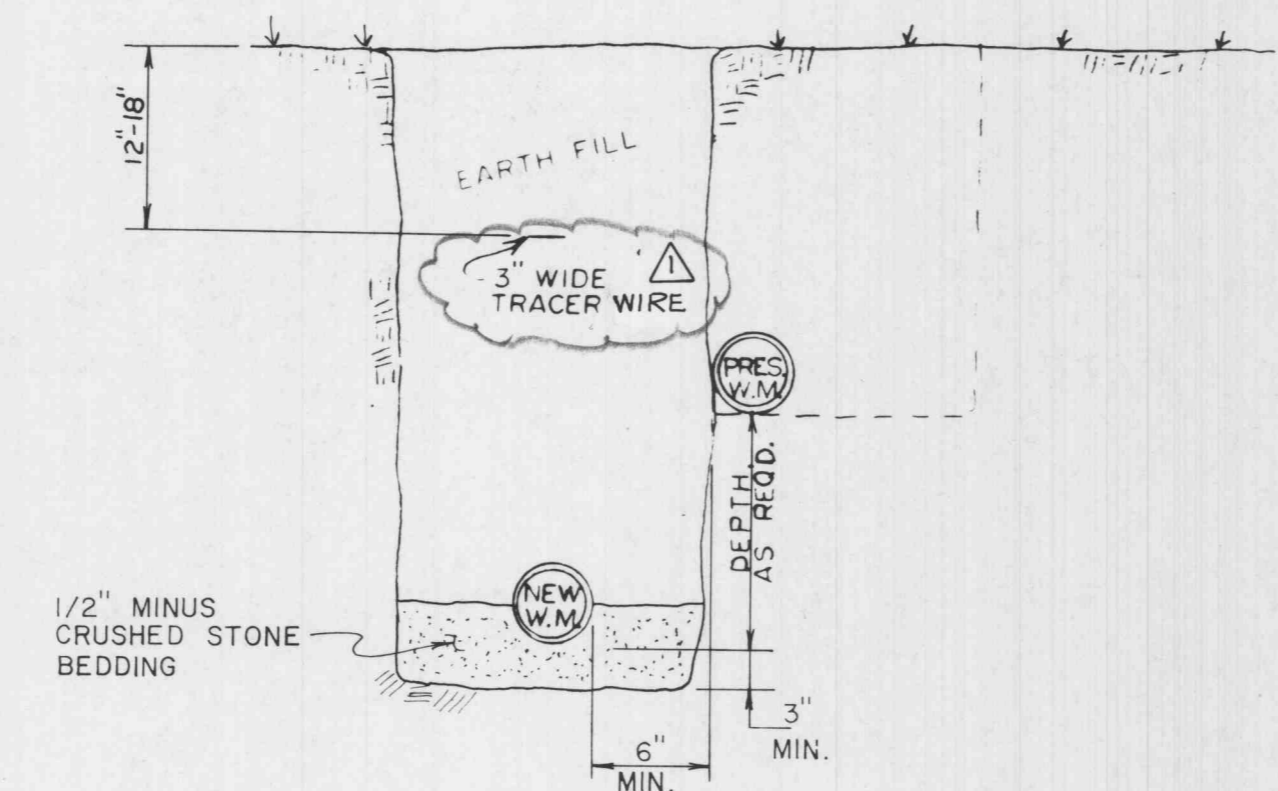
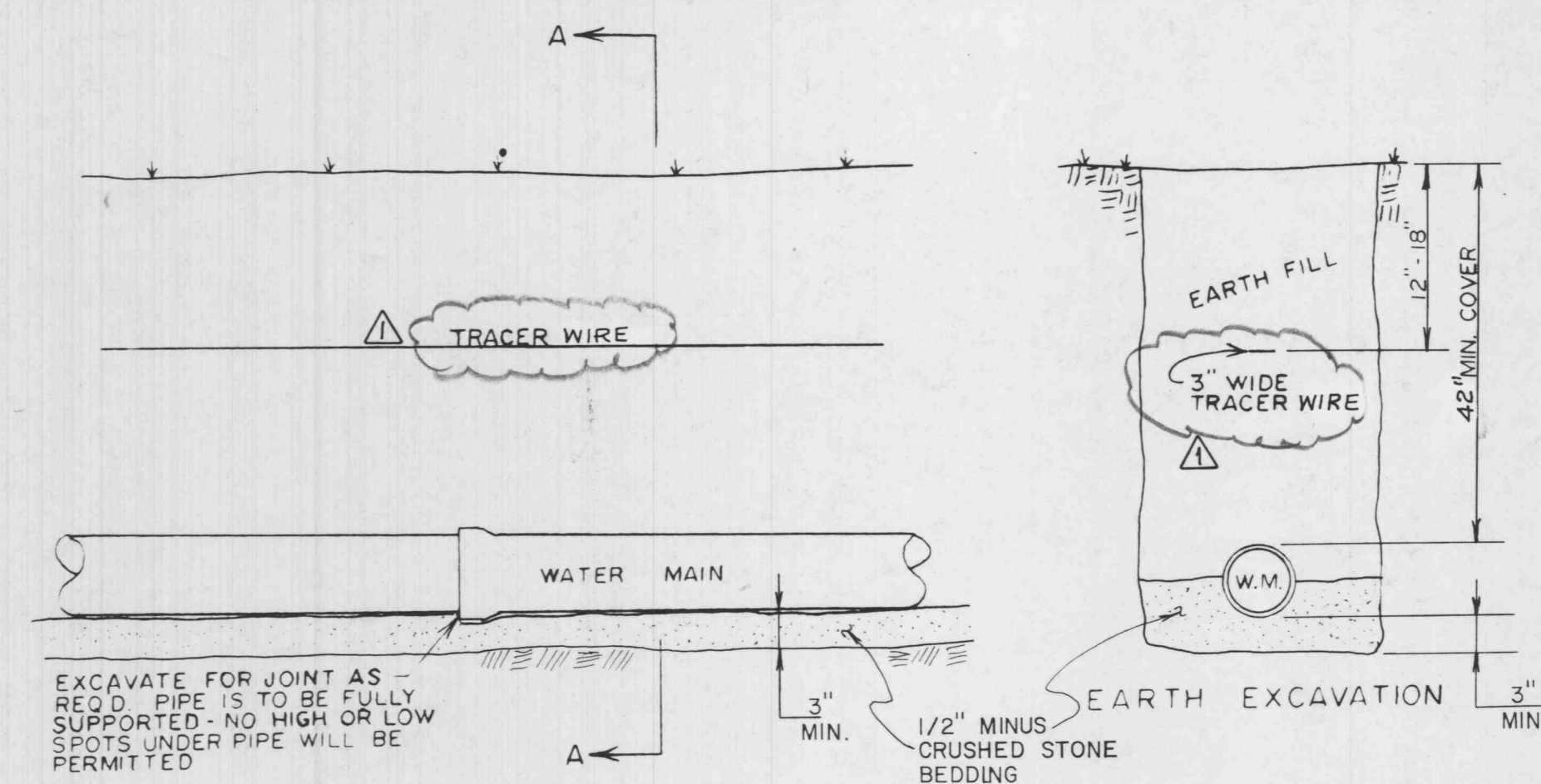


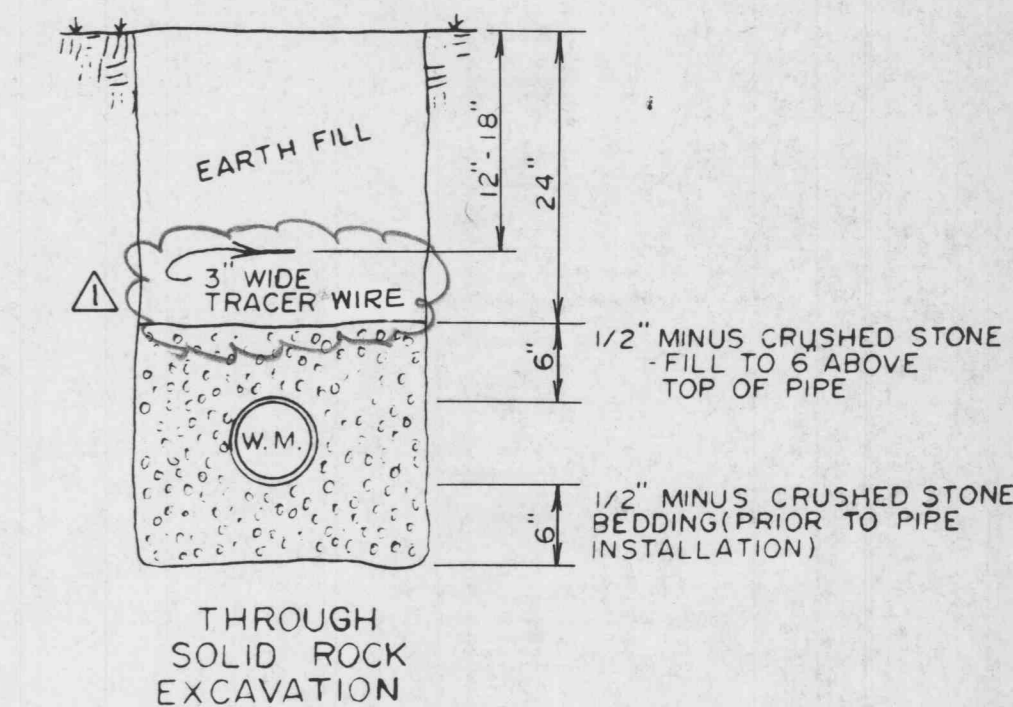
TYPICAL PAVED STREET OR ROAD TRENCH BACKFILL & SURFACE REPLACEMENT DETAIL
 SCALE: 1" = 1'



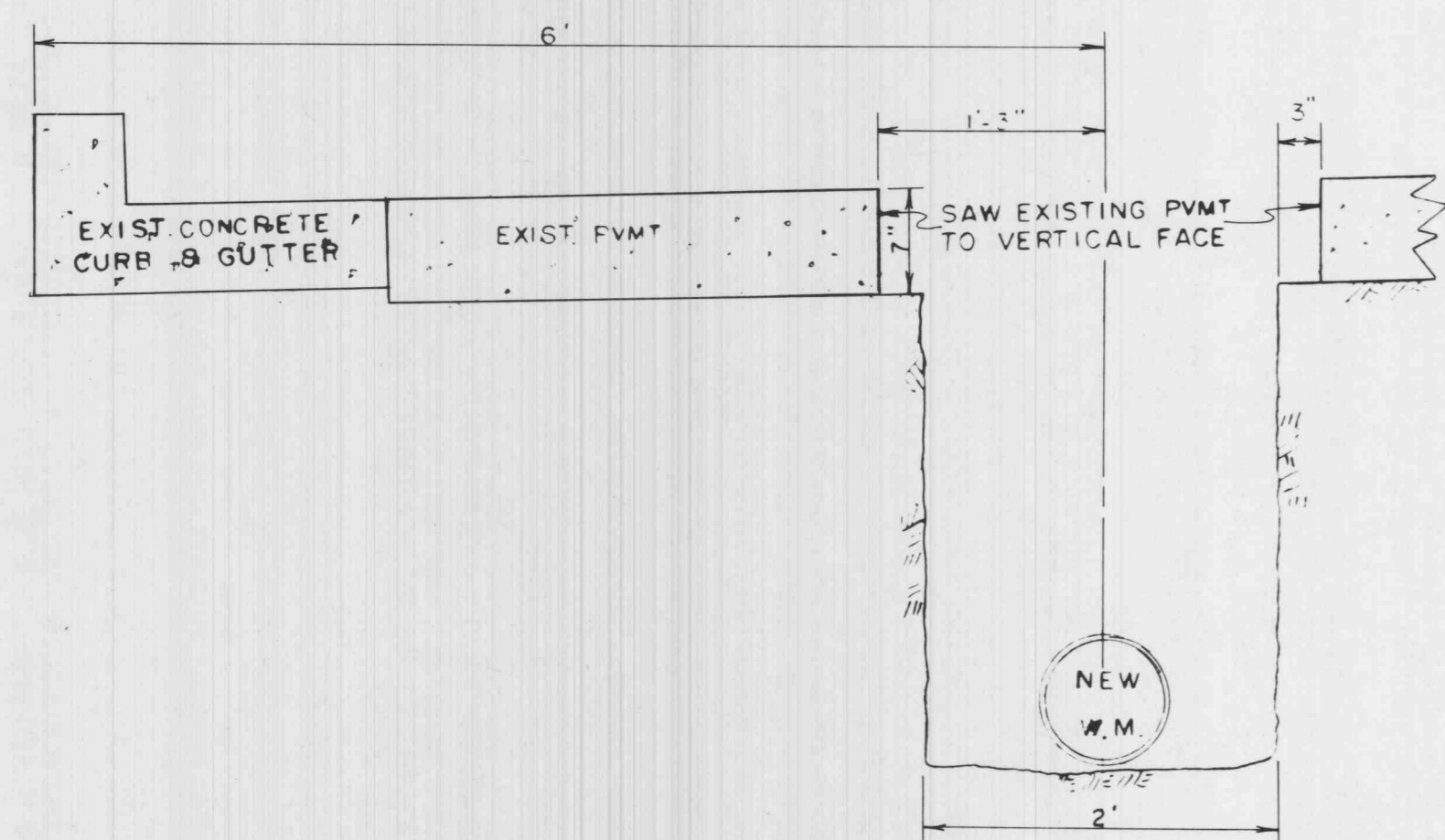
TYPICAL WATER MAIN LOWERING DETAIL
 NO SCALE



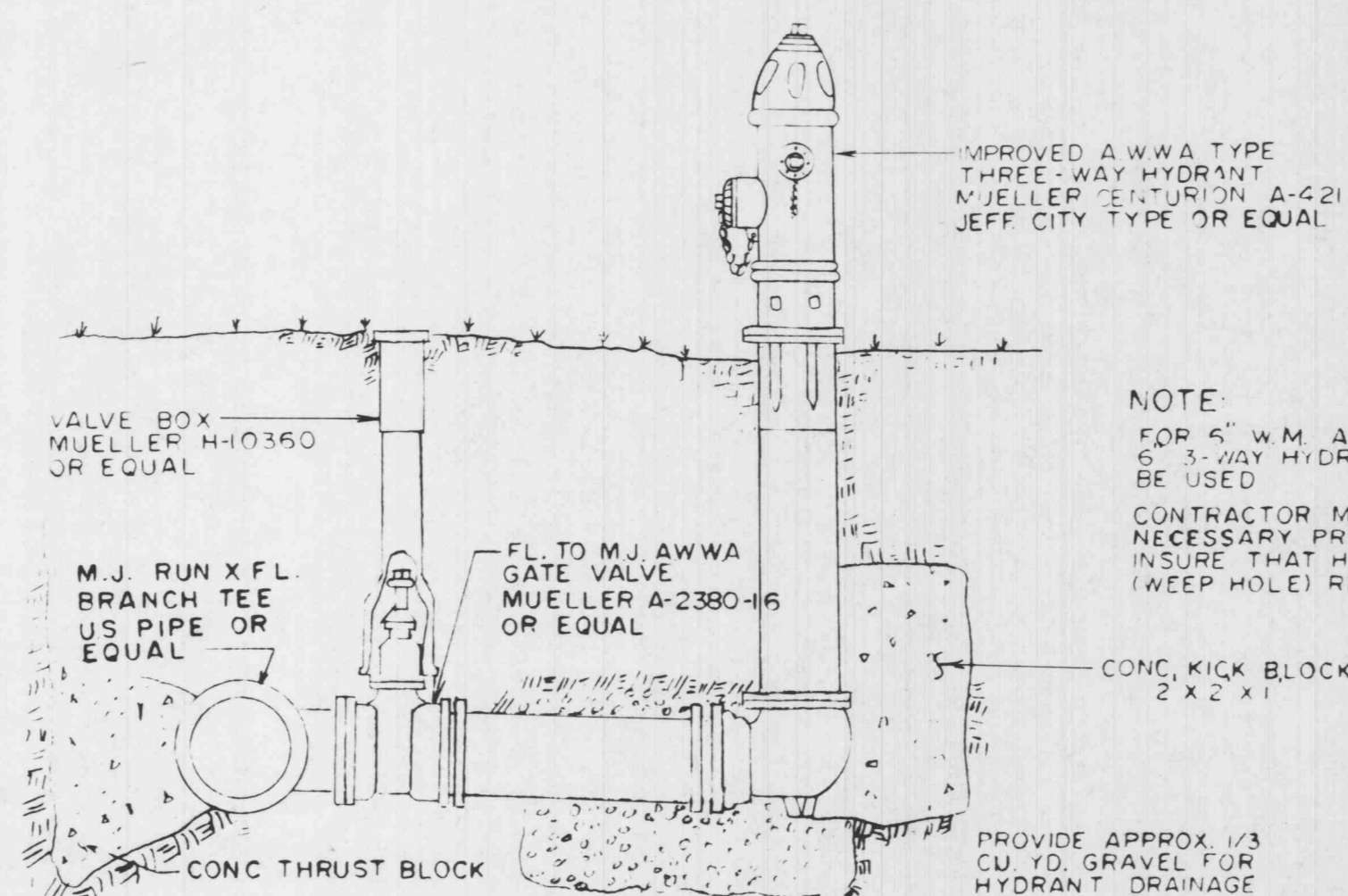
TYPICAL WATER MAIN INSTALLATION DETAIL
 NO SCALE



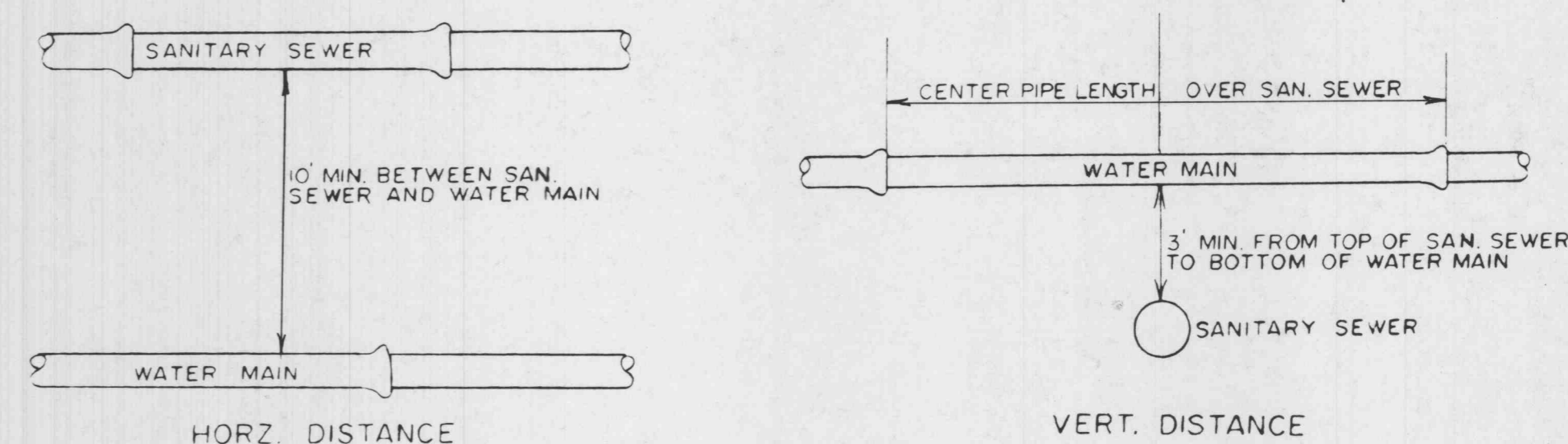
SECTION A-A



TYPICAL TRENCH EXCAVATION IN PAVED STREETS



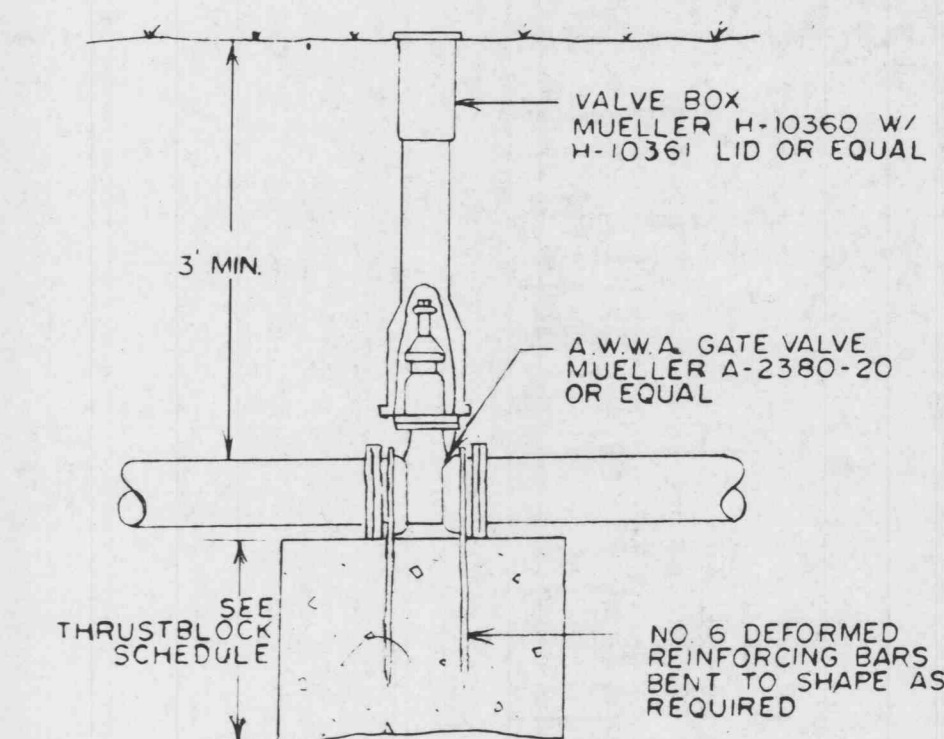
FIRE HYDRANT INSTALLATION DETAIL
 NO SCALE



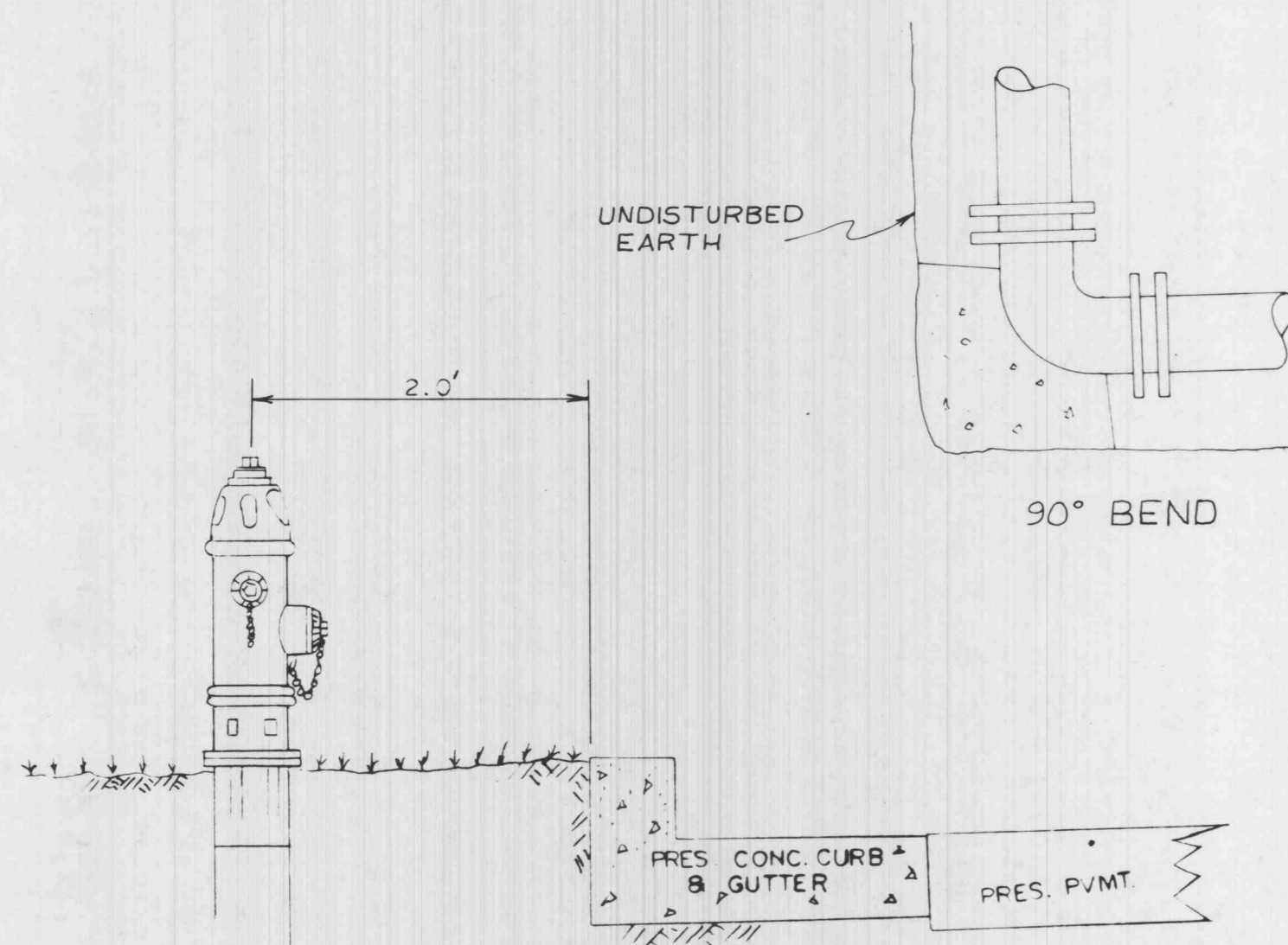
TYPICAL WATER & SEWER SEPARATION
 NO SCALE

MAIN SIZE	MIN THRUST BLOCK BEARING DIMENSIONS TO BEAR AGAINST UNDISTURBED EARTH					
	45° BEND	22-1/2° BEND	TEE	VALVE	CROSS	90° BEND
4"	1'x1'	1'x1'	2'x1'	2'x1'	1'x1'	1'x2'
6"	1.5'x2.5'	1'x1.5'	2'x1.5'	2'x1'	1'x1.5'	1.5'x3'
8"	2'x2.5'	1'x2'	2'x2.5'	2'x2'	2'x2.5'	2'x4'
10"	2'x2.5'	1.5'x2'	2'x3.5'	2'x3'	2'x2'	3'x4'

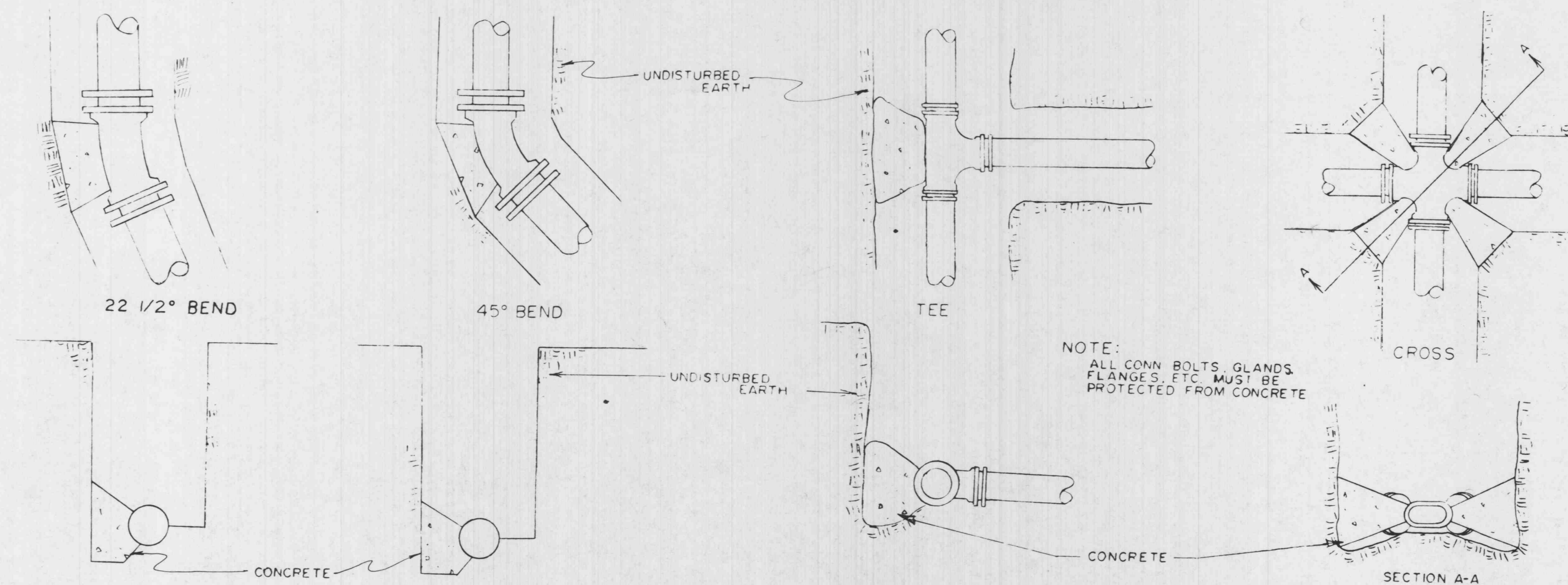
THRUSTBLOCK SCHEDULE



GATE VALVE W/ THRUST BLOCK DETAIL
 NO SCALE



TYPICAL FIRE HYDRANT LOCATION DETAIL
 NO SCALE



TYPICAL THRUST BLOCK DETAIL
 NO SCALE