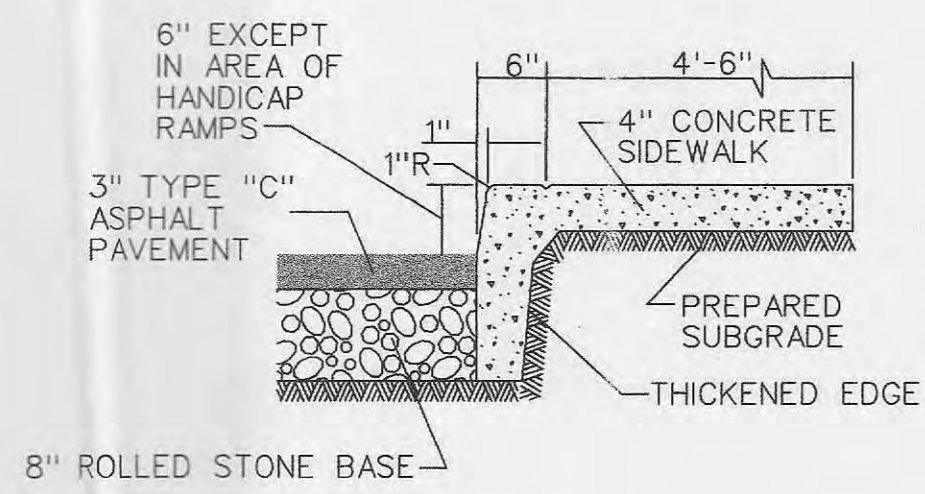
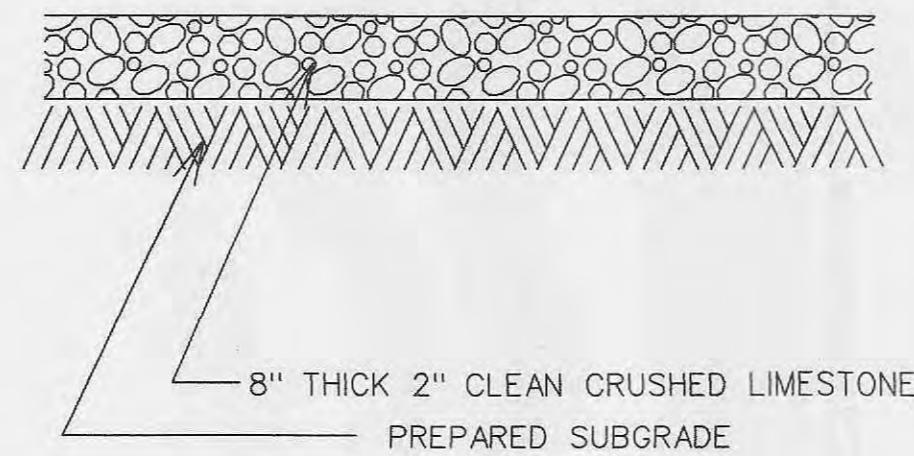


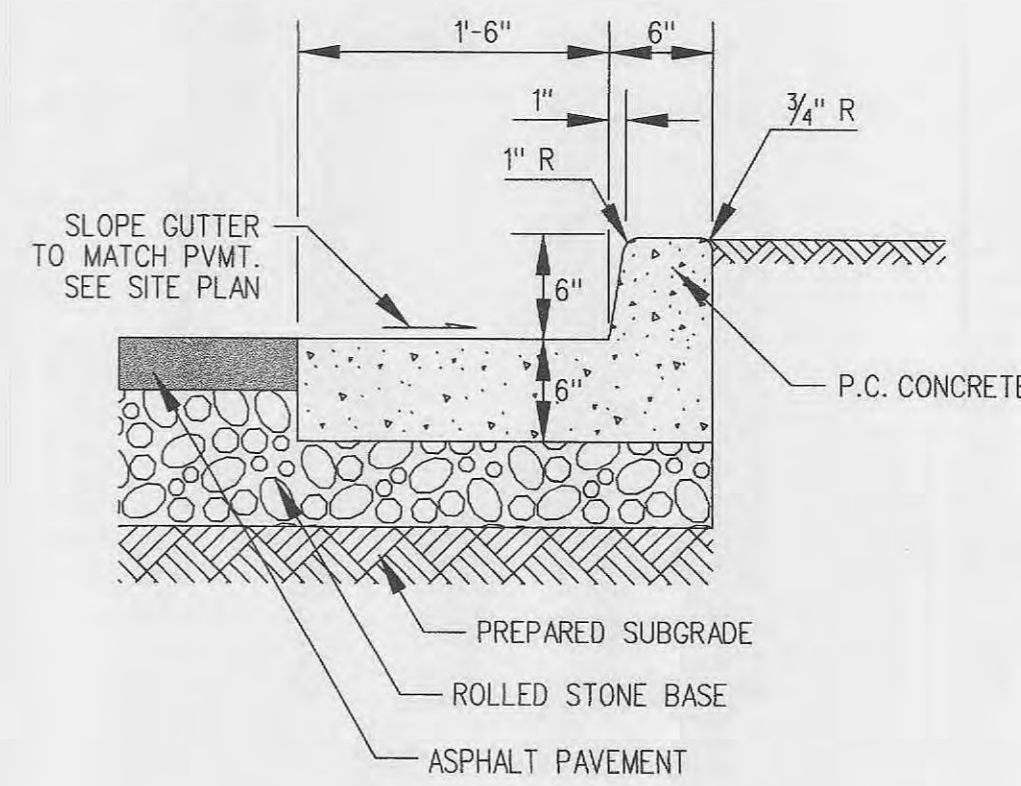
PAVEMENT DETAIL  
N.T.S.



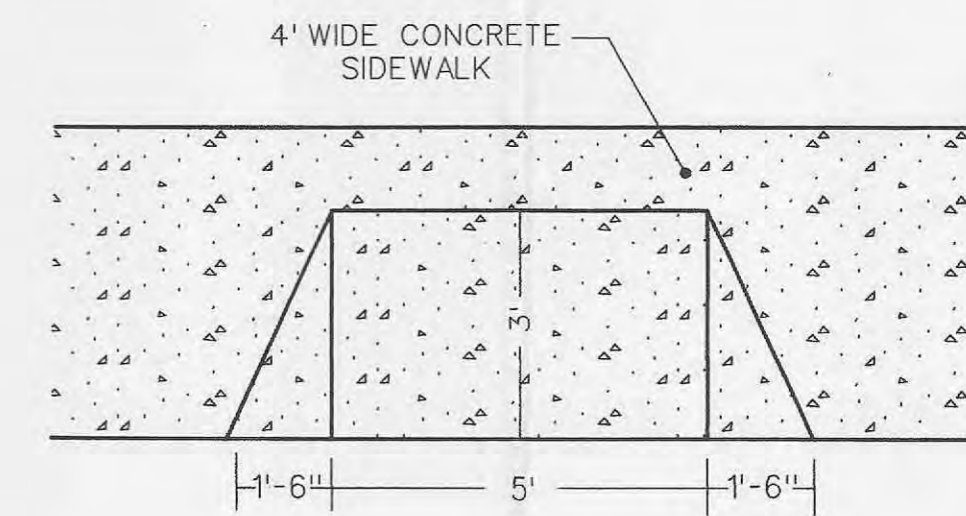
COMBINATION CURB & SIDEWALK DETAIL  
N.T.S.



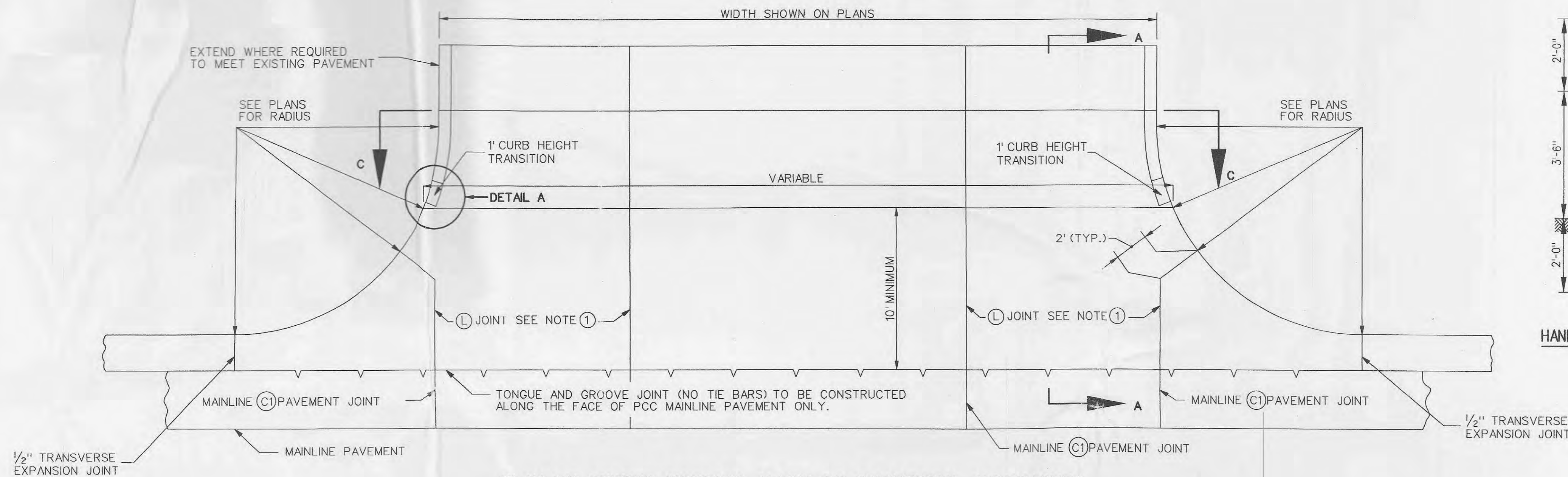
TRUCK WASHDOWN AREA DETAIL  
N.T.S.



CONCRETE CURB AND GUTTER DETAIL  
N.T.S.

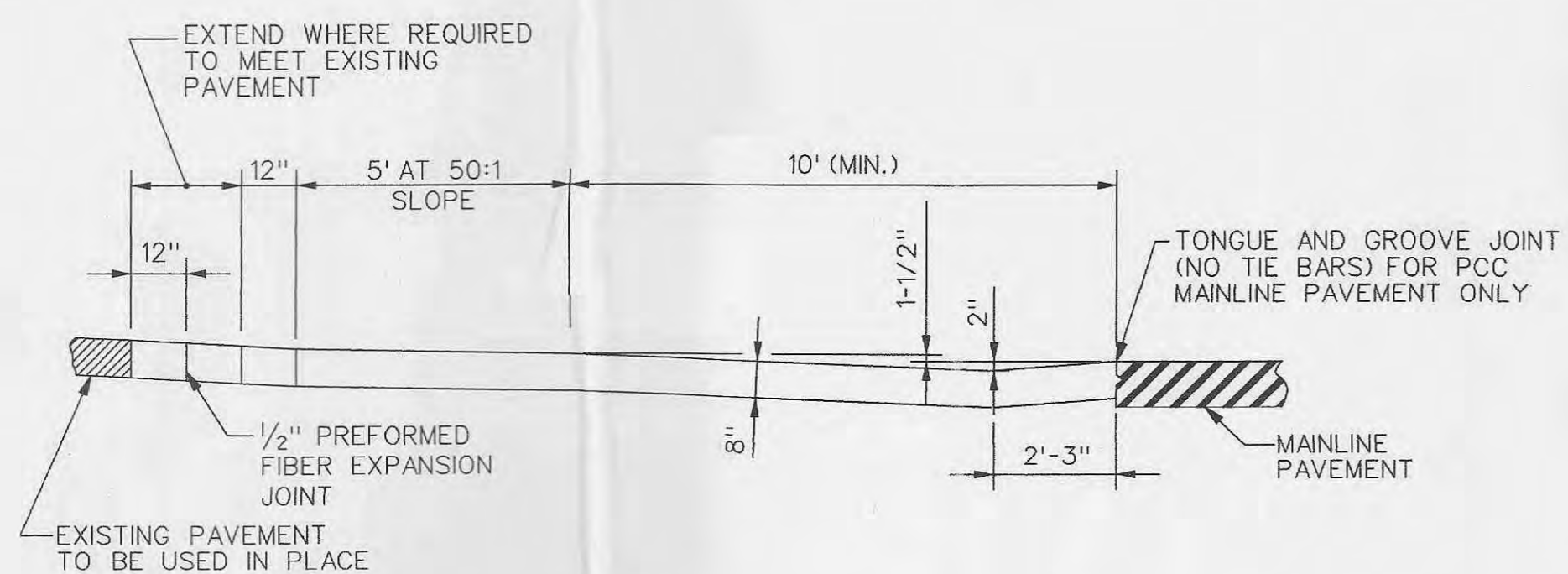


HANDICAP RAMP DETAIL  
N.T.S.



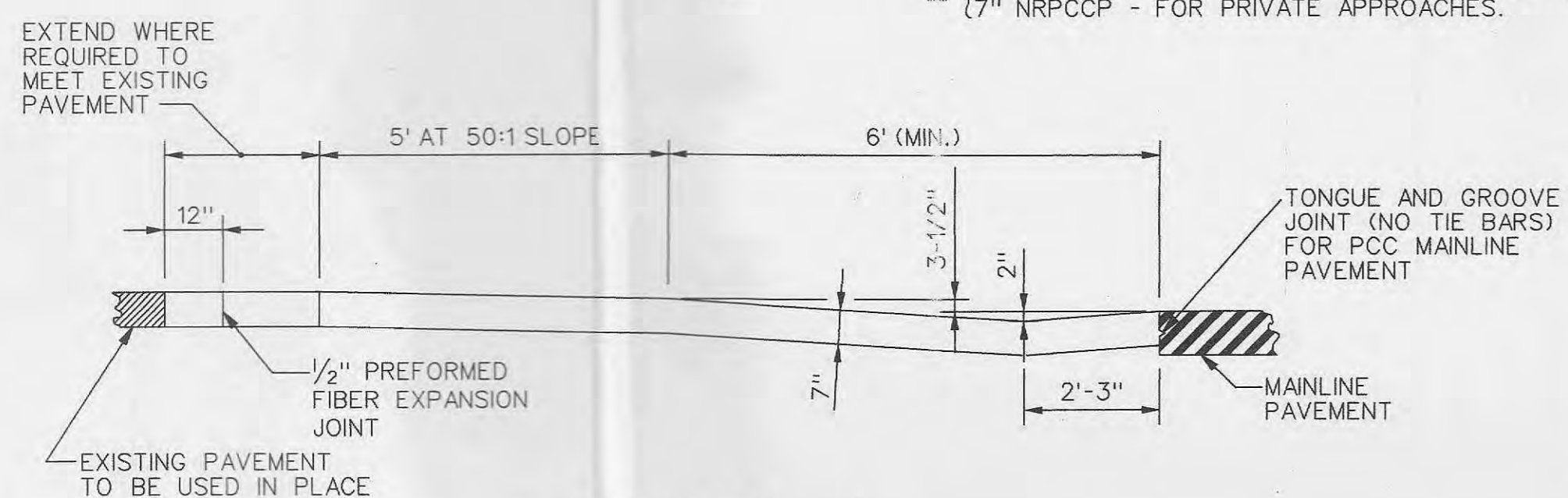
PLAN OF STREET, SIDEROAD, ALLEY OR COMMERCIAL APPROACHES  
N.T.S.

① THE NUMBER OF L JOINTS SHOWN IN PAVED APPROACH ARE FOR ILLUSTRATIVE PURPOSES ONLY. JOINTS PLACED IN PAVED APPROACHES SHALL MATCH THE (C1) PAVEMENT TRANSVERSE MAINLINE PAVEMENT JOINT LOCATION.

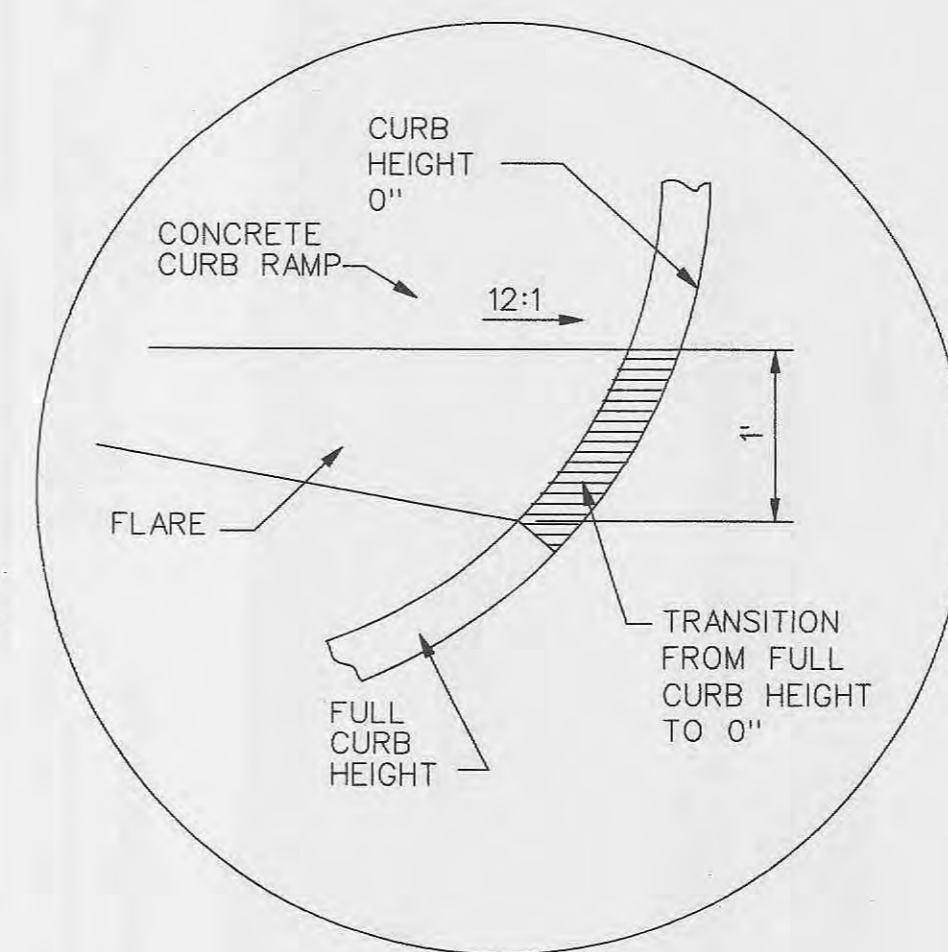


SECTION A-A  
N.T.S.

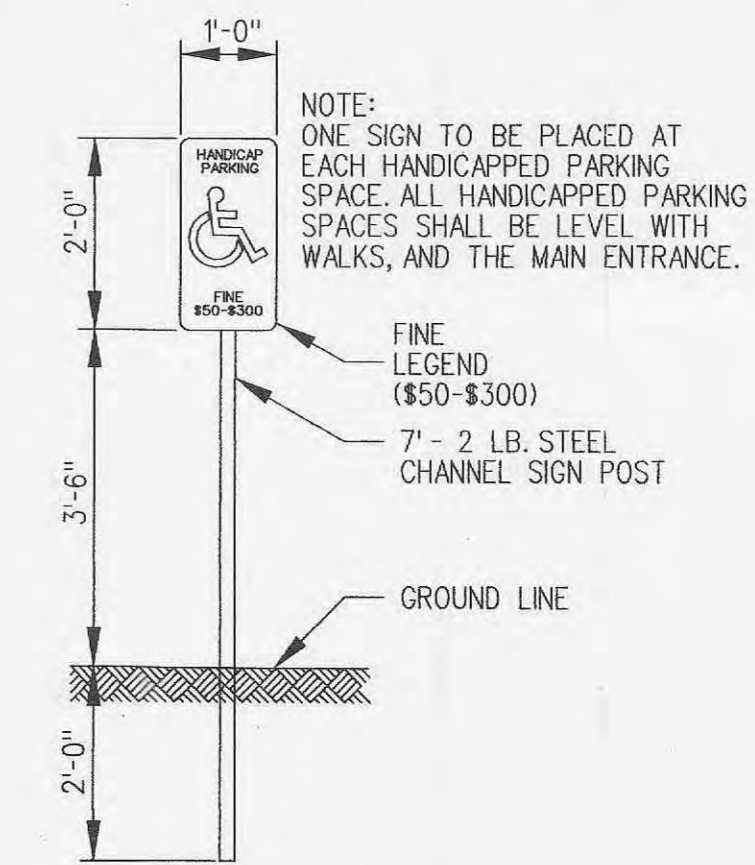
\* 6" - EXCEPT WHERE VARIED TO MEET EXISTING IMPROVEMENTS.  
\*\* (8" NRPCCP - FOR STREET, SIDEROAD, ALLEY OR COMMERCIAL APPROACHES.  
\*\* (7" NRPCCP - FOR PRIVATE APPROACHES.



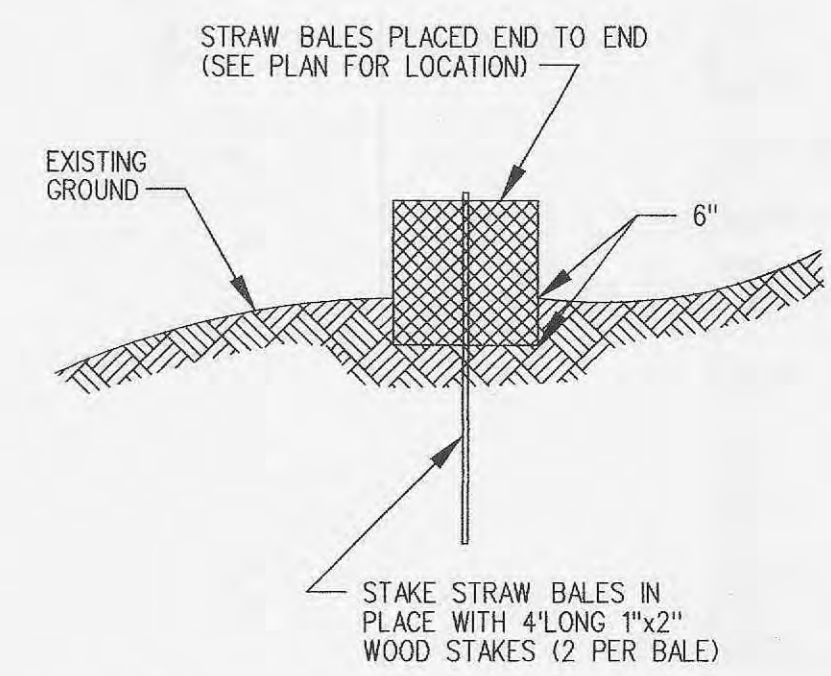
SECTION B-B  
N.T.S.



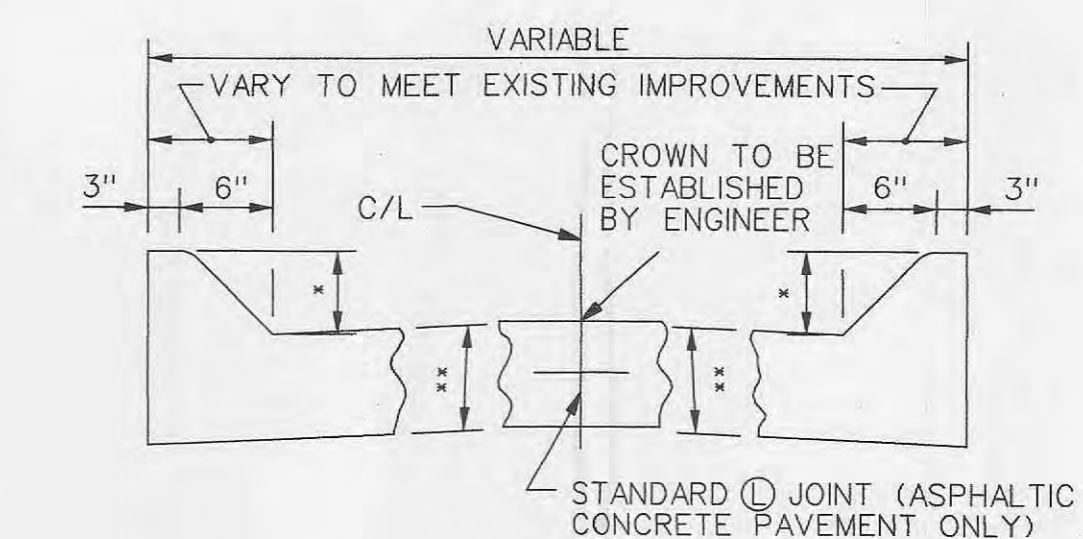
DETAIL A  
N.T.S.



HANDICAPPED PARKING SIGN DETAIL  
N.T.S.



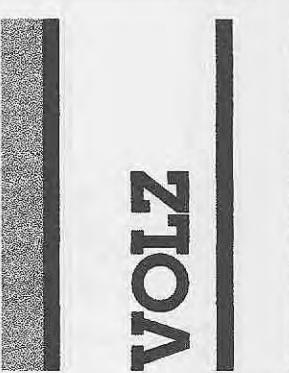
SILTATION CONTROL DETAIL  
N.T.S.



SECTION C-C  
N.T.S.

GENERAL NOTES:

WHERE PAVED APPROACH MEETS EXISTING CONCRETE PAVEMENT OR SIDEWALK, PLACE 1/2" PREFORMED FIBER EXPANSION JOINT, CUT TO TEMPLATE, THROUGH NEW CONCRETE AND 1' FROM JUNCTION WITH EXISTING CONCRETE, OR ALONG INSIDE EDGE OF SIDEWALK. WHERE PAVED APPROACH MEETS EXISTING BITUMINOUS CONSTRUCTION, OMIT JOINT.  
SEE STANDARD PLAN 608.10 FOR CONCRETE CURB RAMPS.  
SEE STANDARD PLAN 502.05 FOR JOINT DETAILS.  
SEE STANDARD PLAN 609.00 FOR TRANSVERSE EXPANSION JOINT DETAILS.  
WHERE DRAINAGE IS NOT TO BE CARRIED ACROSS THE PAVED APPROACH, SECTION A-A SHALL BE MODIFIED TO ELIMINATE THE "DIP" AND SHALL BE CROWNED AS DIRECTED BY THE ENGINEER.  
IF SIDEWALKS ARE NOT INCLUDED IN CONSTRUCTION OF PAVED APPROACH, PLACE SODDING BEHIND CURB THROUGH RADIUS. SODDING SHALL CONFORM TO FINISHED GRADING FOR CURB RAMP.  
HAND FINISHING PERMITTED ON PAVED APPROACH.  
TINTED CONCRETE (AS PER STANDARD SPECIFICATION 1056) SHALL BE USED ON CURB RAMP ONLY.



MIDWEST BANK

CONSTRUCTION DETAILS	Design By: E.A.K.	Drawn By: D.K.L.	Checked By: E.A.K.