



# MILL POND APARTMENTS O'FALLON, MISSOURI

**PINNACLE**  
Civil Engineering, L.L.C.

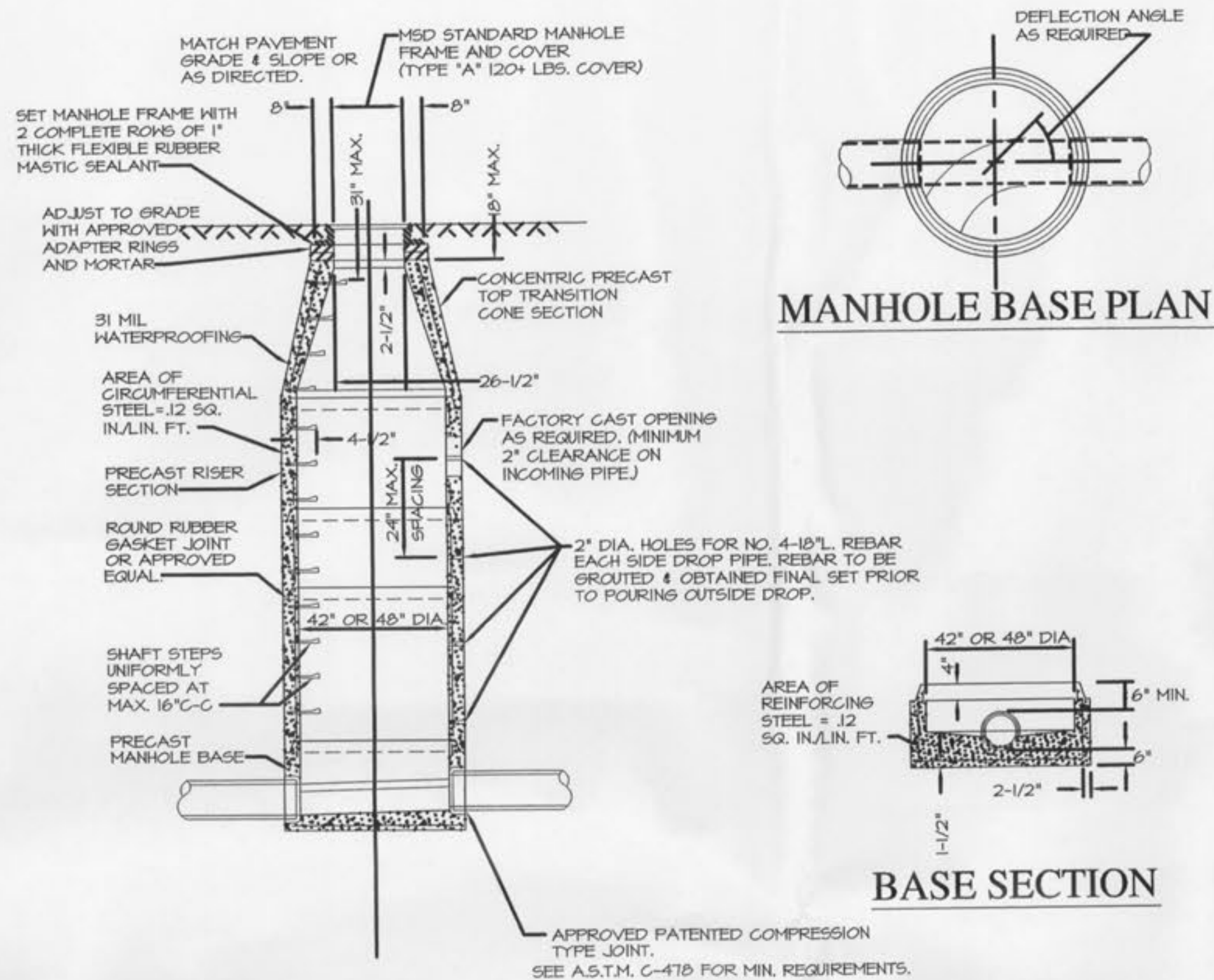
Seven Oaks Center  
302 Campanian Drive  
Columbia, MO 65201  
Phone 573.266.7300  
Fax 573.266.2647

COPYRIGHT © 2006

1ST ISSUE  
09 NOVEMBER 2005

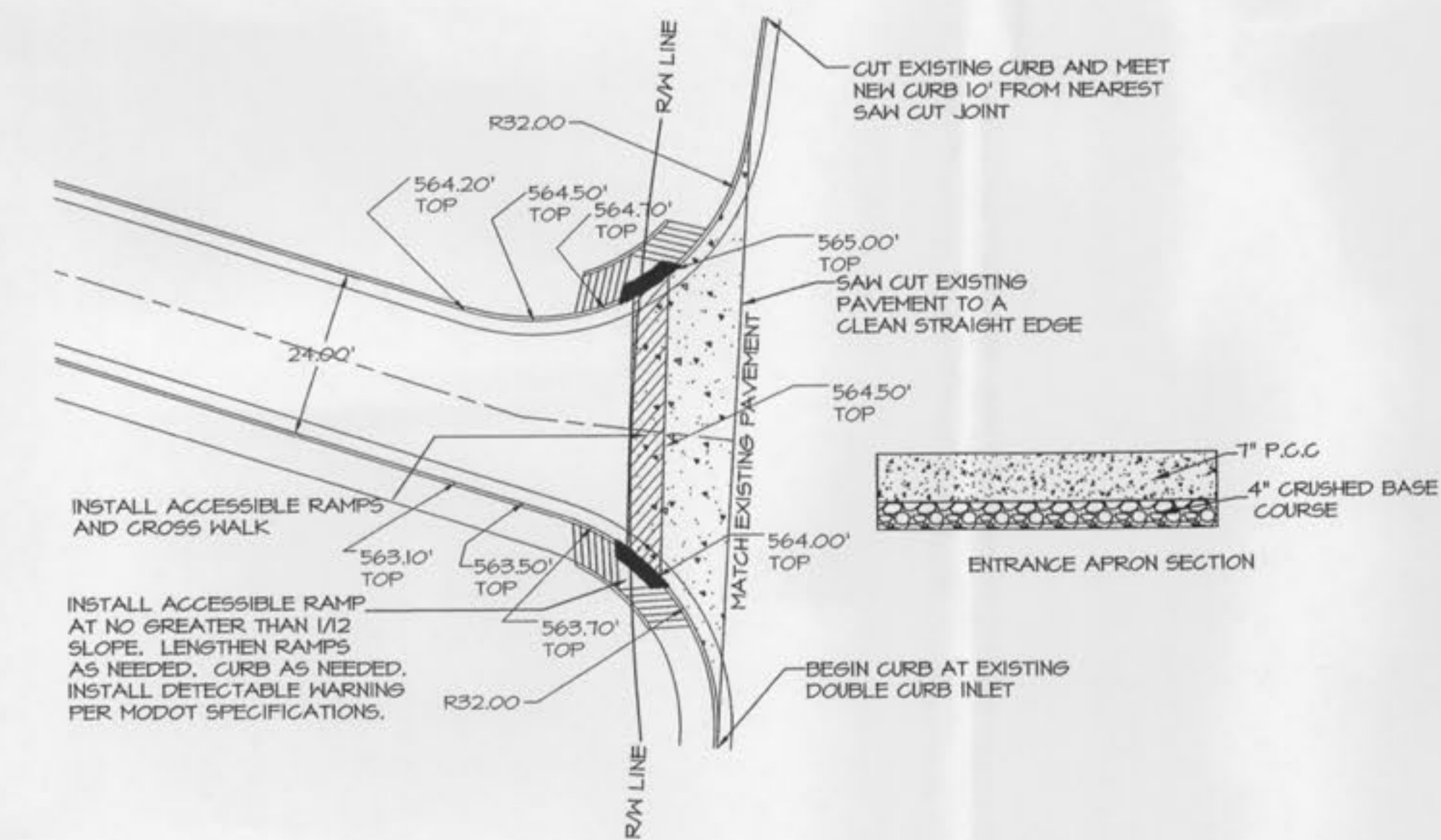
REVISIONS  
▲ 23 JANUARY 2006  
▲ 09 FEBRUARY 2006  
▲ 02 JUNE 2006  
▲ 07 SEPT 2006 THinc

SHEET NO.  
**C3.1**  
JOB NO. 2324 SHEET 07 OF 17

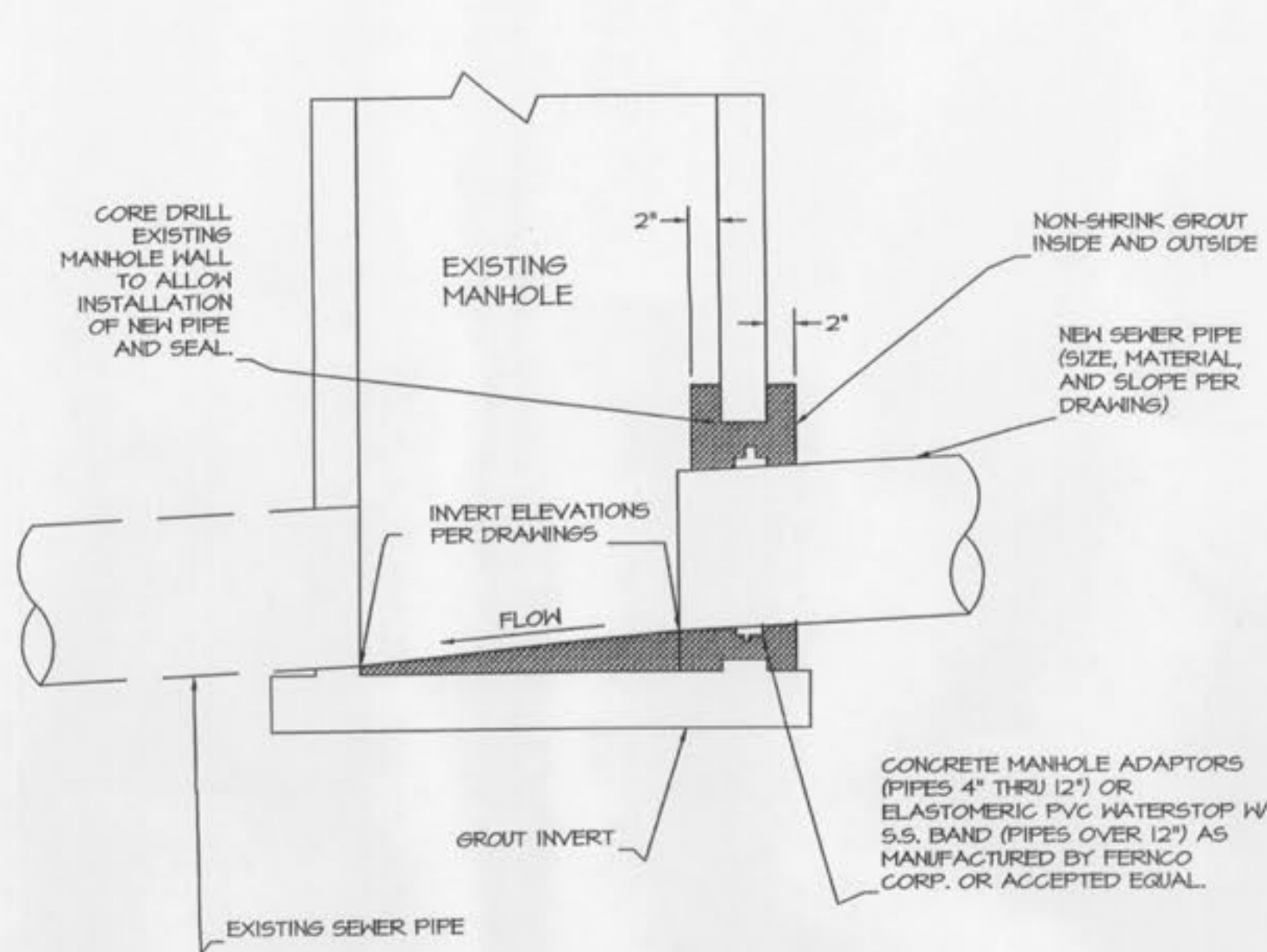


- NOTES:
1. THE MINIMUM INSIDE DIAMETER FOR THE BASE AND RISER SECTIONS SHALL BE 42 INCHES FOR 8 INCH DIAMETER PIPE. THE MINIMUM INSIDE DIAMETER FOR PIPES LARGER THAN 8 INCHES SHALL BE 48 INCHES. MANHOLE SHALL MEET ASTM C-478 REQUIREMENTS.
  2. FLOWLINE ELEVATION OF INCOMING PIPES SHALL BE 0.2 FEET HIGHER THAN THAT OF OUTGOING PIPE.
  3. PIPE SIZES LARGER THAN 24 INCHES MAY REQUIRE MANHOLE DIAMETERS OF 60 INCHES OR LARGER AS DETERMINED BY OUTSIDE DIAMETERS AND ORIENTATIONS OF CONNECTING PIPES.

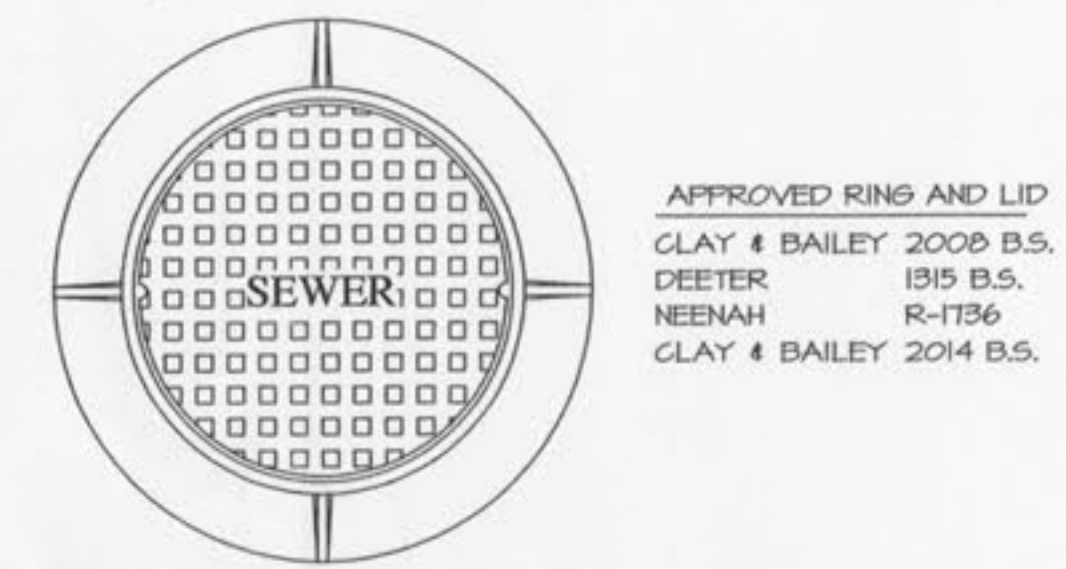
## ① PRE-CAST CONCRETE MANHOLE FOR SEWERS 8" THROUGH 12"



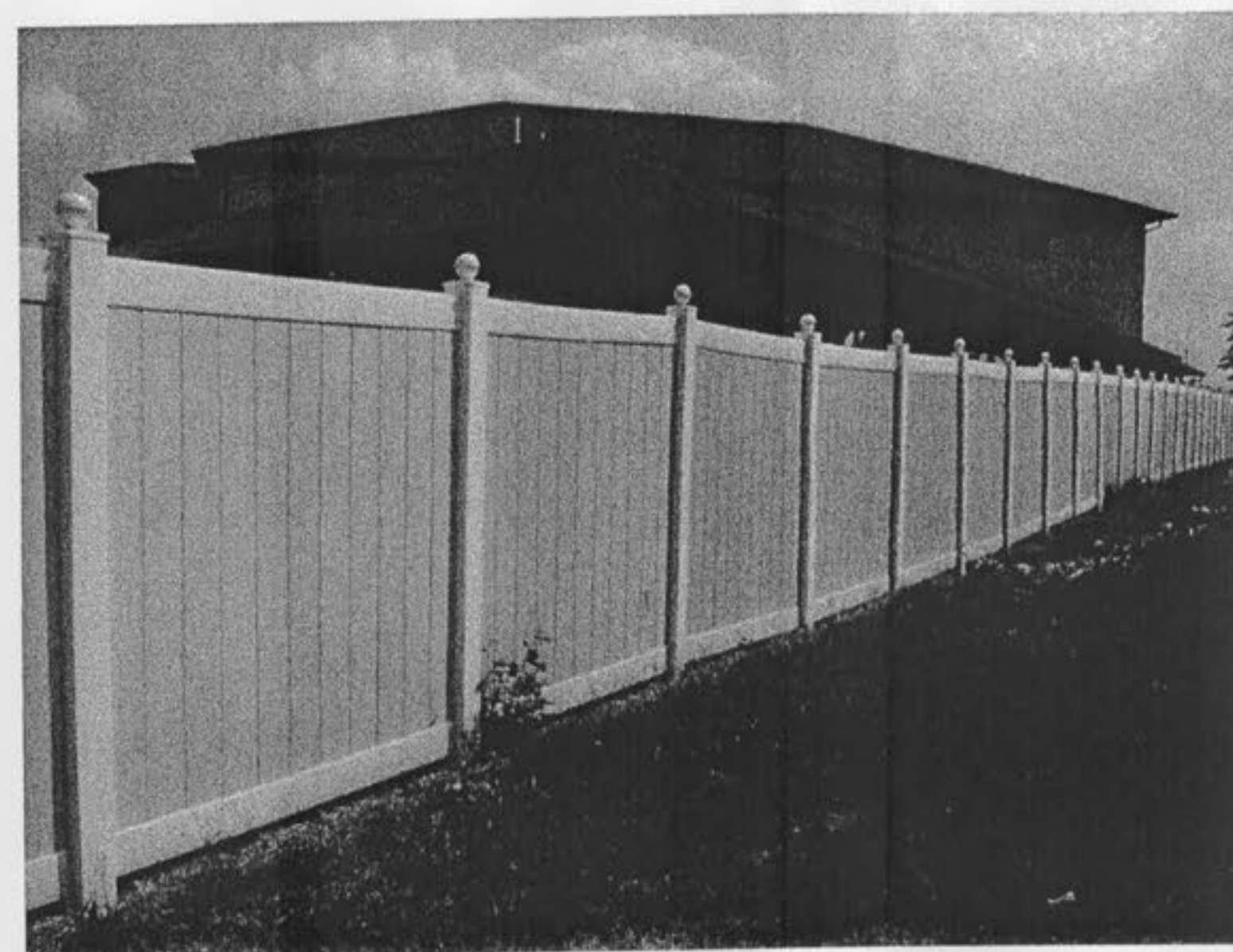
## ④ ENTRANCE APRON DETAIL



## ② TYPICAL CONNECTION TO EXISTING MANHOLE

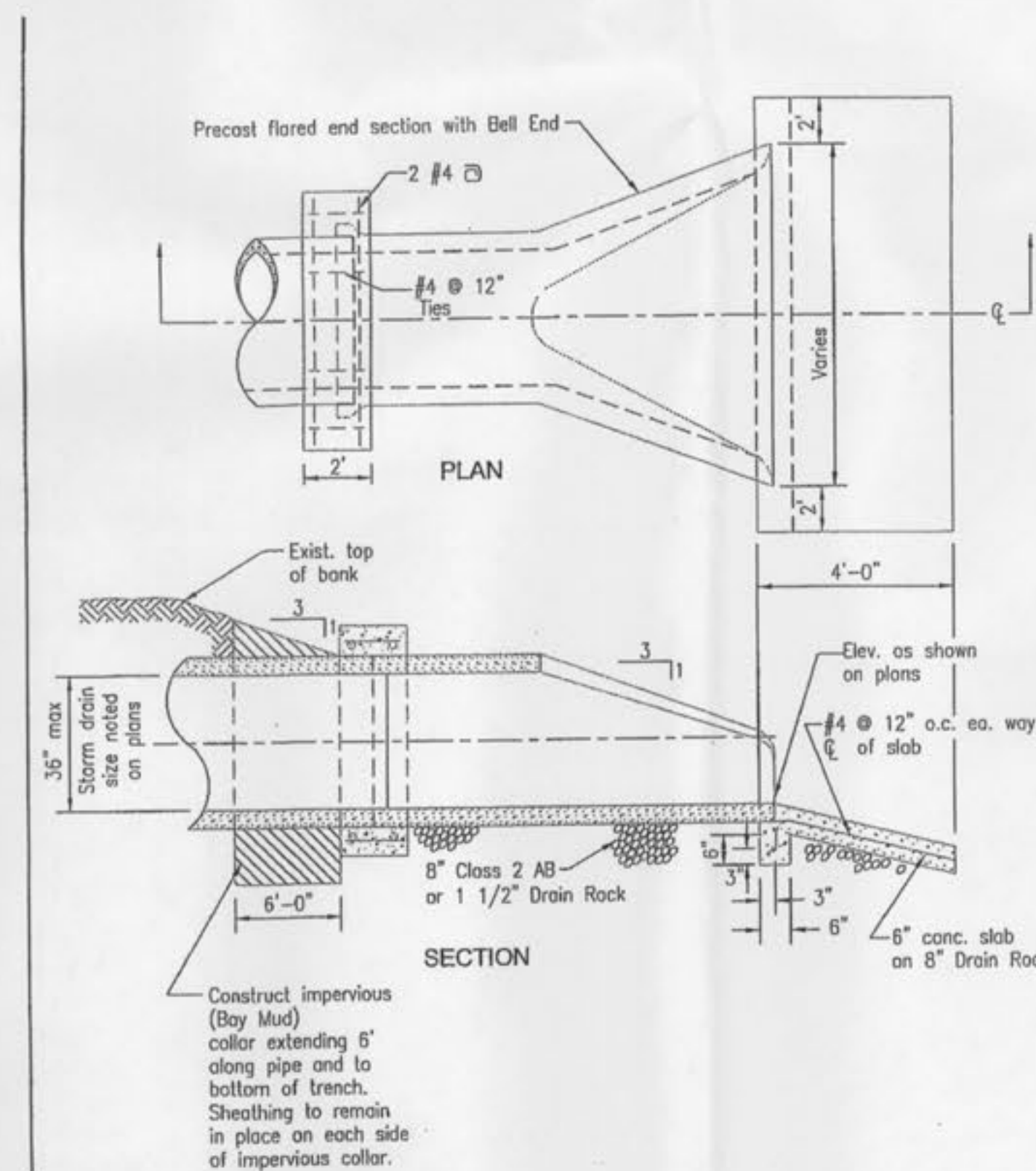


## ③ MANHOLE RING AND LID DETAIL



## ⑤ SIGHT PROOF FENCE DETAIL

NOT TO SCALE  
RETAINING WALL FENCE FOR SHEET C 3.0 DETAIL 12



## ⑥ FLARED END SECTION DETAIL

NOT TO SCALE