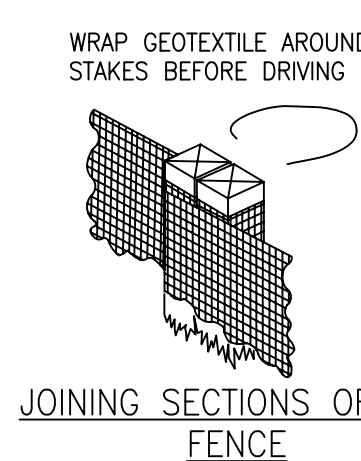
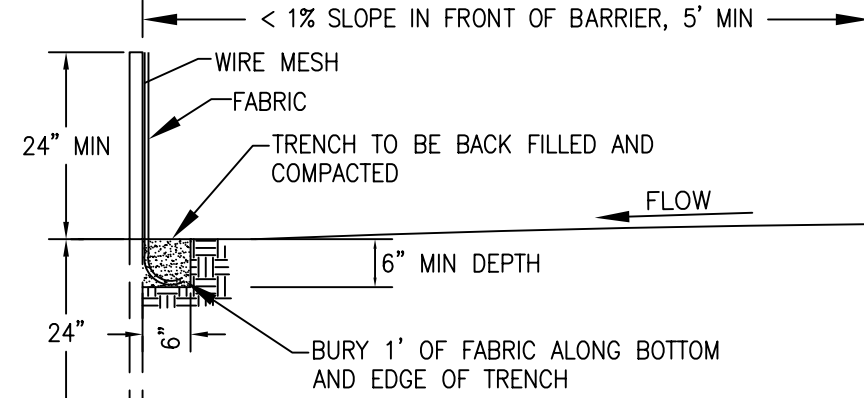
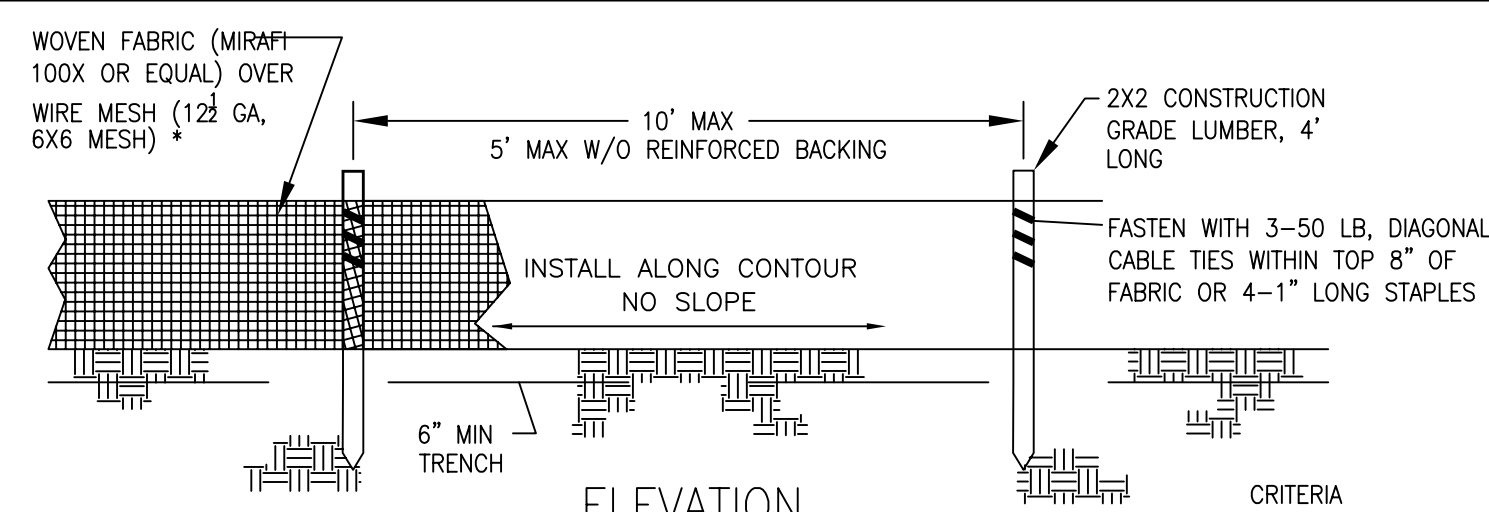


- DESIGN CRITERIA**
- SILT FENCE FOR SHEET FLOW SHALL HAVE A MAXIMUM DRAINAGE AREA OF 1/4 ACRE PER 100 LF.
 - STRAW BALE BARRIERS FOR SHEET FLOW SHALL HAVE A MAXIMUM DRAINAGE AREA OF 1/4 ACRE PER 100 LF.
 - REFER TO INDIVIDUAL ESC FIGURE FOR INSTALLATION.
 - TERRACING INCLUDES LOGS, WATLES & FILTER SOCKS.

CITY OF O'FALLON
ENGINEERING DEPARTMENT
O'FALLON, MISSOURI

SPACING CHART FOR ESC DEVICES

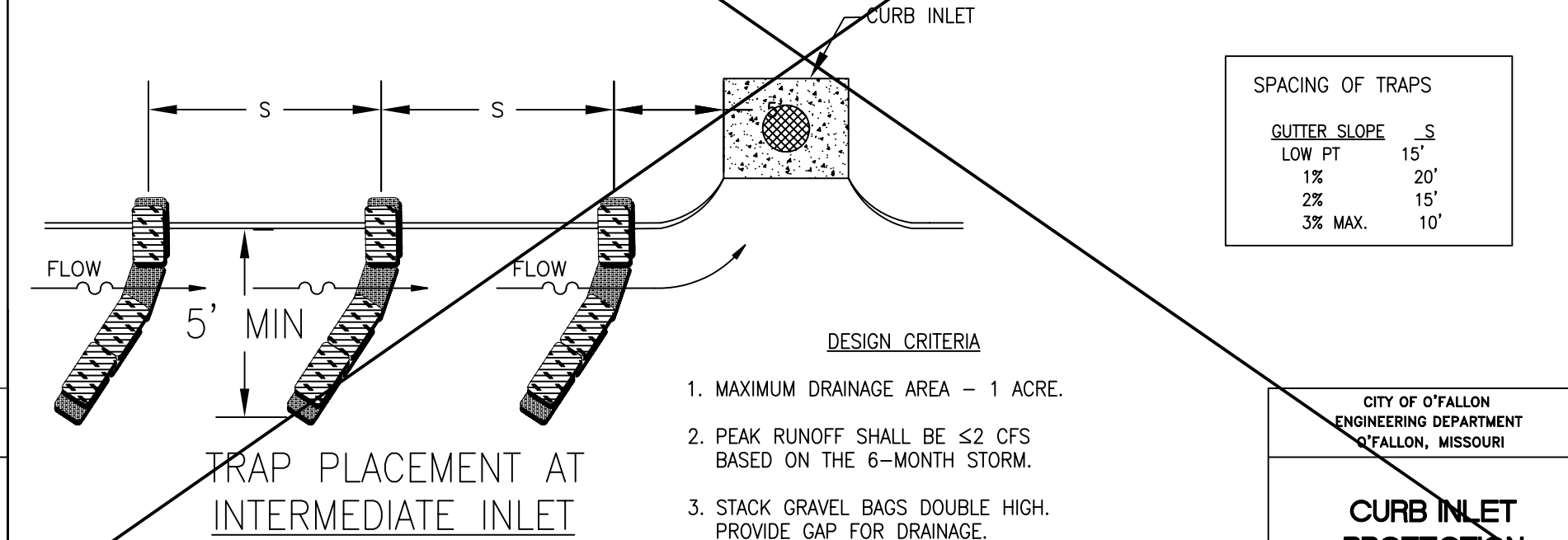
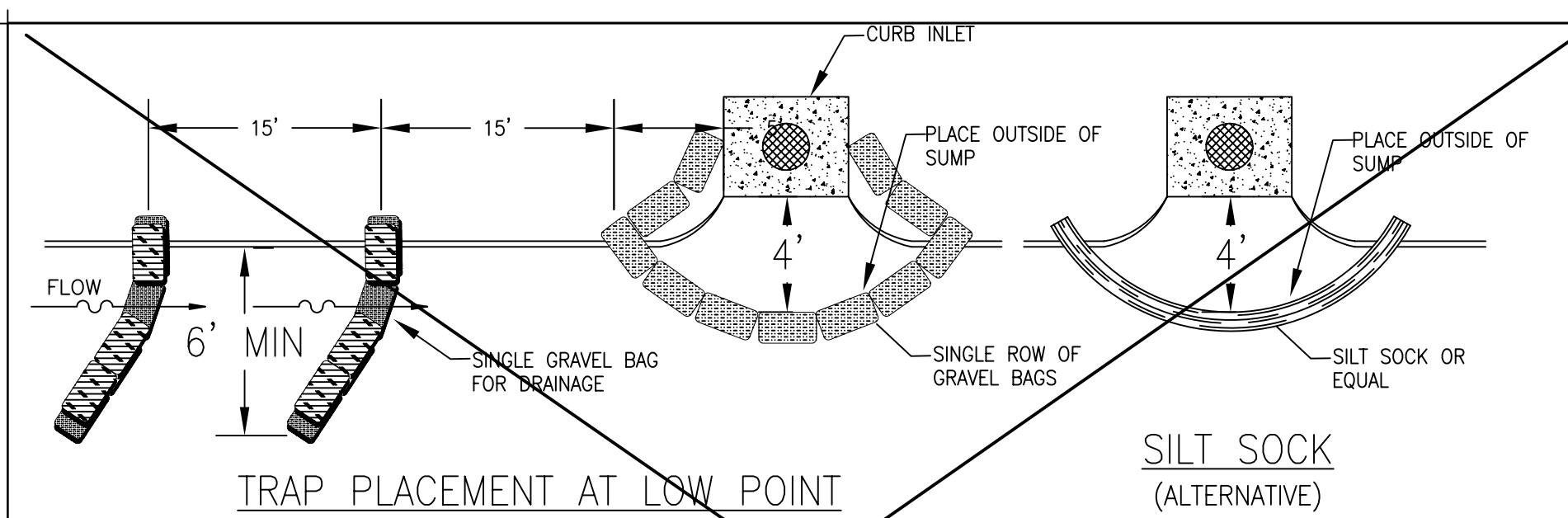


- CRITERIA**
- SILT FENCE SHALL BE 24 INCHES HIGH.
 - SILT FENCE SHALL NOT BE USED FOR CONCENTRATED FLOWS.
 - GEOSYNTHETIC REINFORCED SILT FENCE BACKING MAY BE USED IN LIEU OF WIRE MESH.
 - WIRE MESH WILL BE USED AT LOCATIONS SHOWN ON THE APPROVED SWPPP.

NOTE: IF FABRIC IS INSTALLED BY EQUIPMENT DESIGNED TO CLUCE INTO THE GROUND, THE TRENCH IS NOT REQ'D.

CITY OF O'FALLON
ENGINEERING DEPARTMENT
O'FALLON, MISSOURI

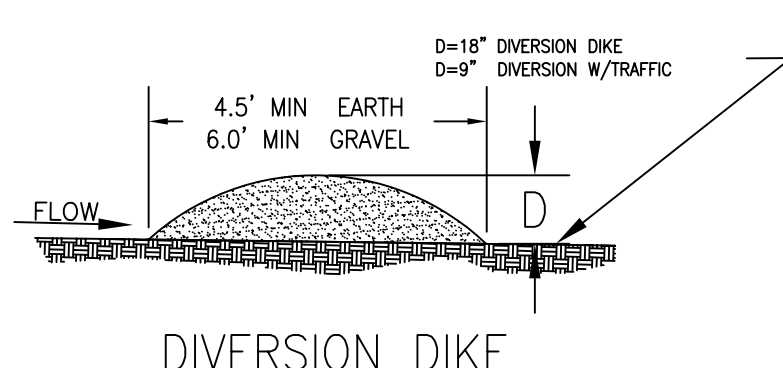
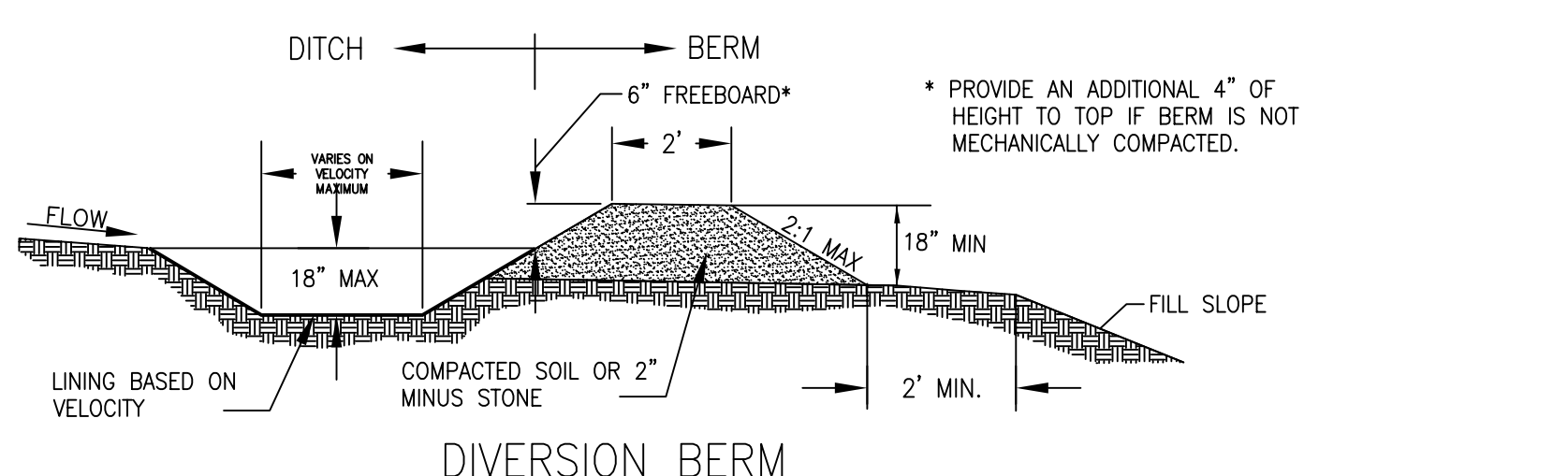
SILT FENCE INSTALLATION SHEET FLOW (ONLY)



- DESIGN CRITERIA**
- MAXIMUM DRAINAGE AREA - 1 ACRE.
 - PEAK RUNOFF SHALL BE ≤ 2 CFS BASED ON THE 6-MONTH STORM.
 - STACK GRAVEL BAGS DOUBLE HIGH. PROVIDE GAP FOR DRAINAGE.

CITY OF O'FALLON
ENGINEERING DEPARTMENT
O'FALLON, MISSOURI

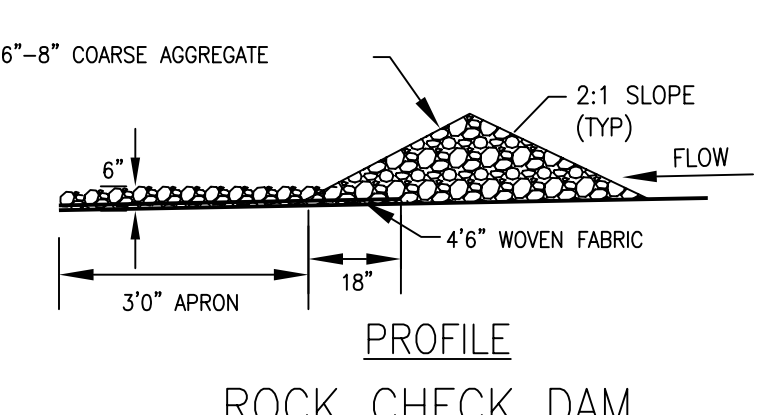
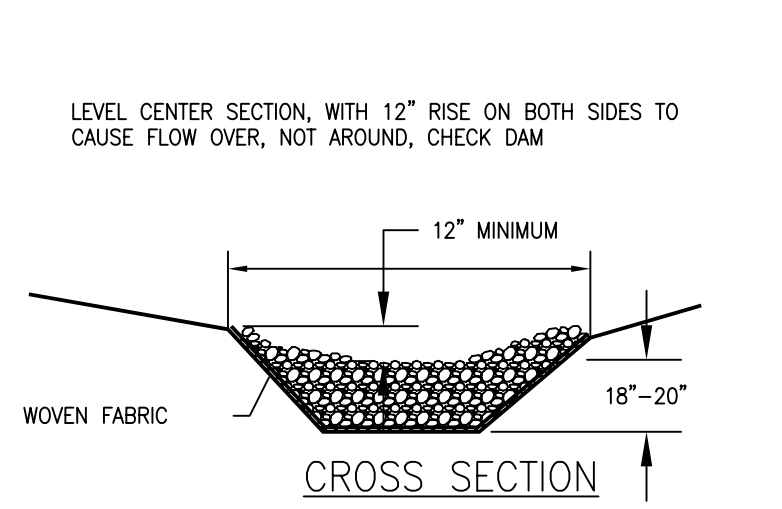
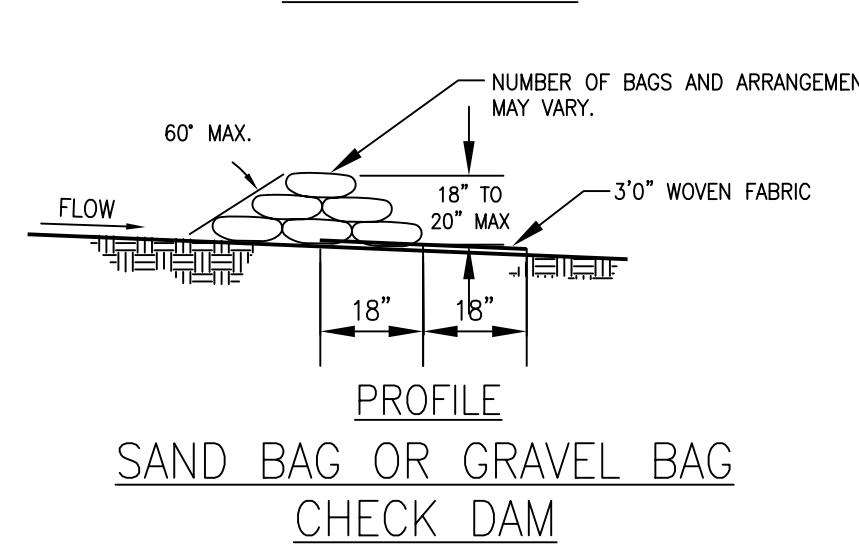
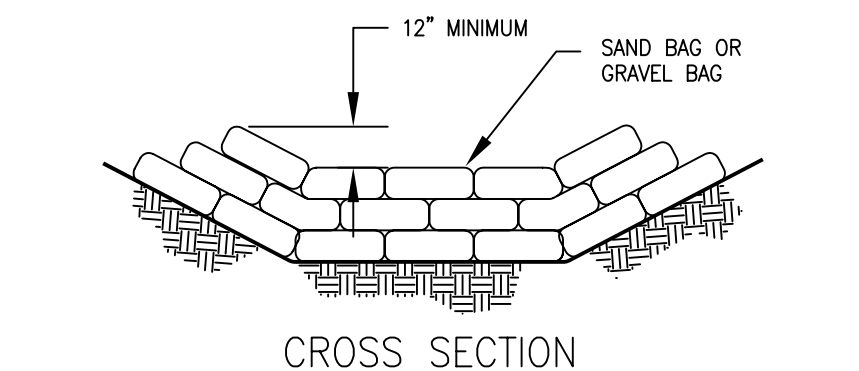
CURB INLET PROTECTION



- DESIGN CRITERIA**
- DIVERSIONS SHALL BE USED FOR DRAINAGE AREAS ≤ 3 ACRES.
 - DIVERSION CHANNELS SHALL BE DESIGNED TO CONVEY THE 6-MO STORM AT NON-EROSIVE VELOCITIES.
 - CRITICAL LOCATIONS SHALL BE DESIGNED FOR THE 15YR / 20MIN. STORM.
 - MAXIMUM CHANNEL SLOPE OF 3% WITHOUT CHECK DAMS.
 - SWALE SEDIMENT TRAPS ARE TO BE USED IN HIGHLY EROSION AREAS.
 - CHANNELS SHALL BE PROTECTED USING APPROPRIATE CHANNEL LINERS.
 - CHANNEL OUTLETS MUST BE STABILIZED.
 - STORM SEWERS MAY BE USED IN LIEU OF OPEN CHANNELS.

CITY OF O'FALLON
ENGINEERING DEPARTMENT
O'FALLON, MISSOURI

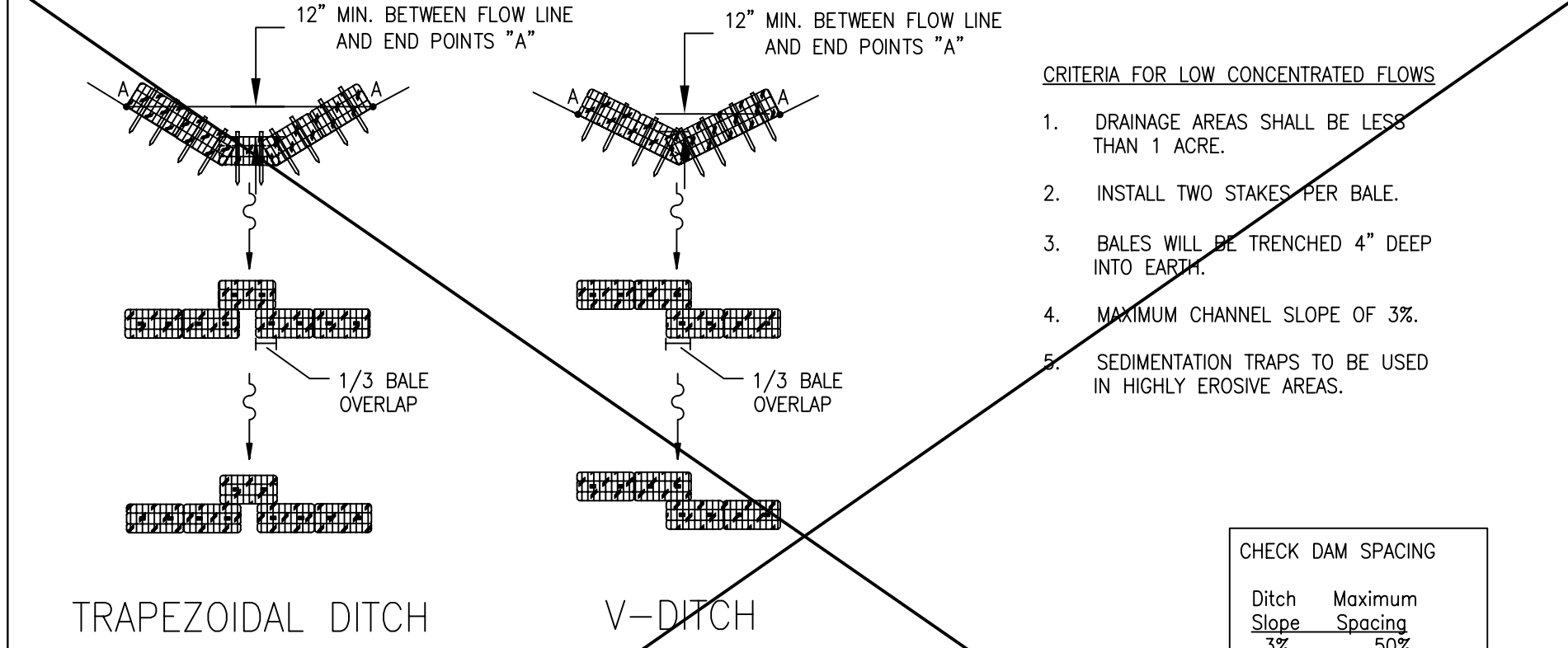
DIVERSION BERMS + DIKES



CITY OF O'FALLON
ENGINEERING DEPARTMENT
O'FALLON, MISSOURI

CHECK DAMS

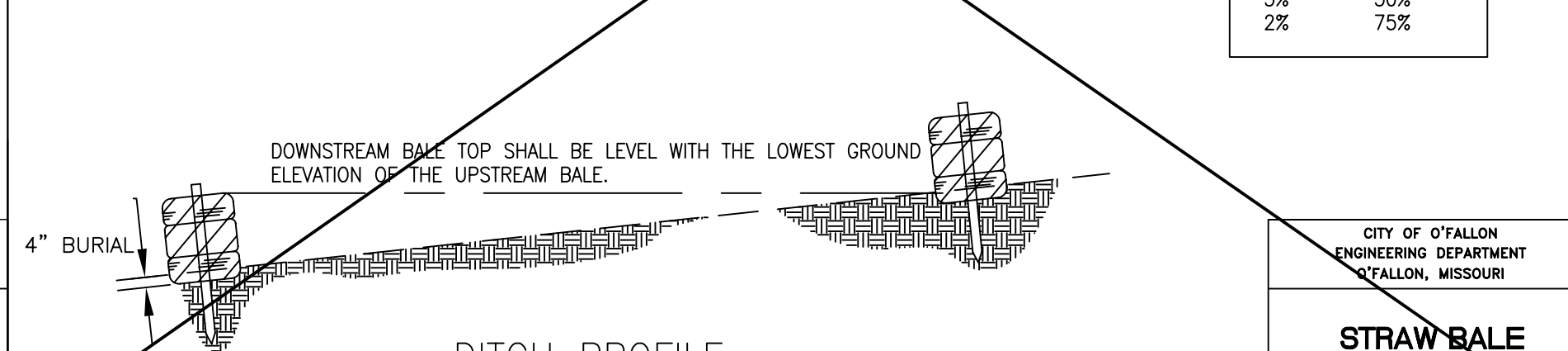
- NOTE:**
- CHECK DAMS MAY BE CONSTRUCTED OF SEVERAL ESC CHECK DAM PRODUCTS.
 - SEE TABLE 60-12 AND ESC 1 FOR CHECK DAM SPACING.



- CRITERIA FOR LOW CONCENTRATED FLOWS**
- DRAINAGE AREAS SHALL BE LESS THAN 1 ACRE.
 - INSTALL TWO STAKES PER BALE.
 - BALES WILL BE TRENCHED 4" DEEP INTO EARTH.
 - MAXIMUM CHANNEL SLOPE OF 3%.
 - SEDIMENTATION TRAPS TO BE USED IN HIGHLY EROSION AREAS.

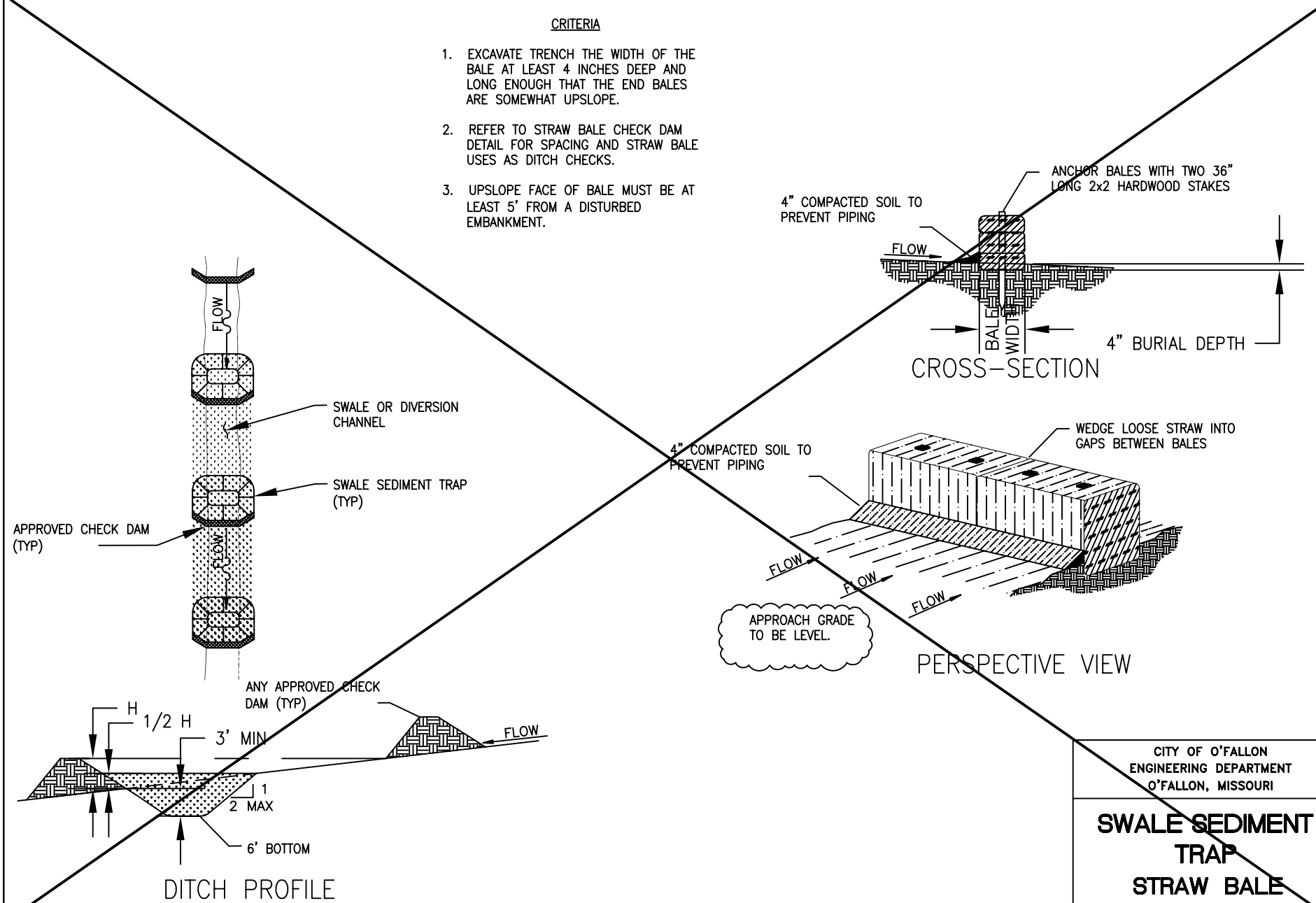
CHECK DAM SPACING

Ditch Slope	Maximum Spacing
3%	50'
2%	75'



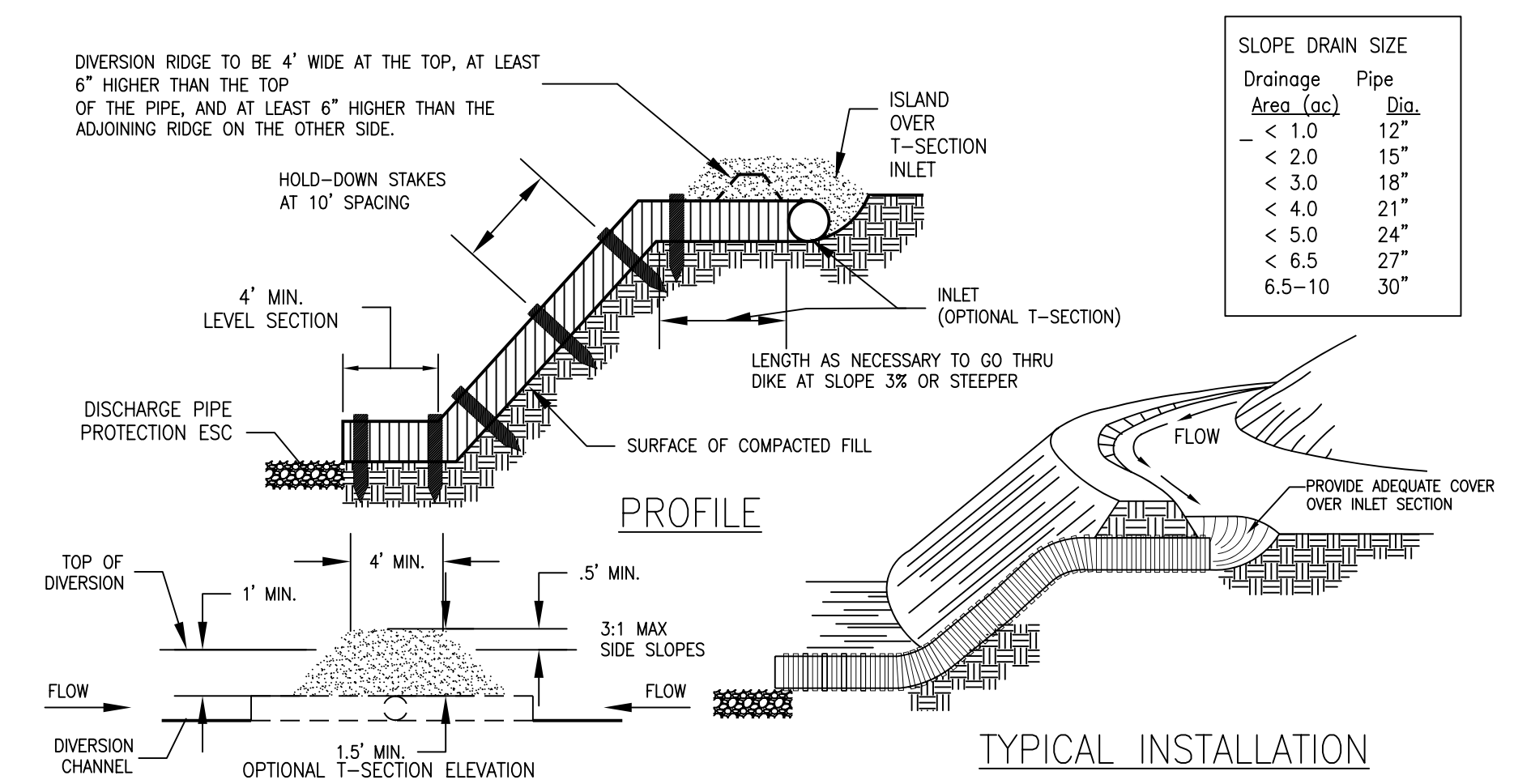
CITY OF O'FALLON
ENGINEERING DEPARTMENT
O'FALLON, MISSOURI

STRAW BALE CHECK DAM



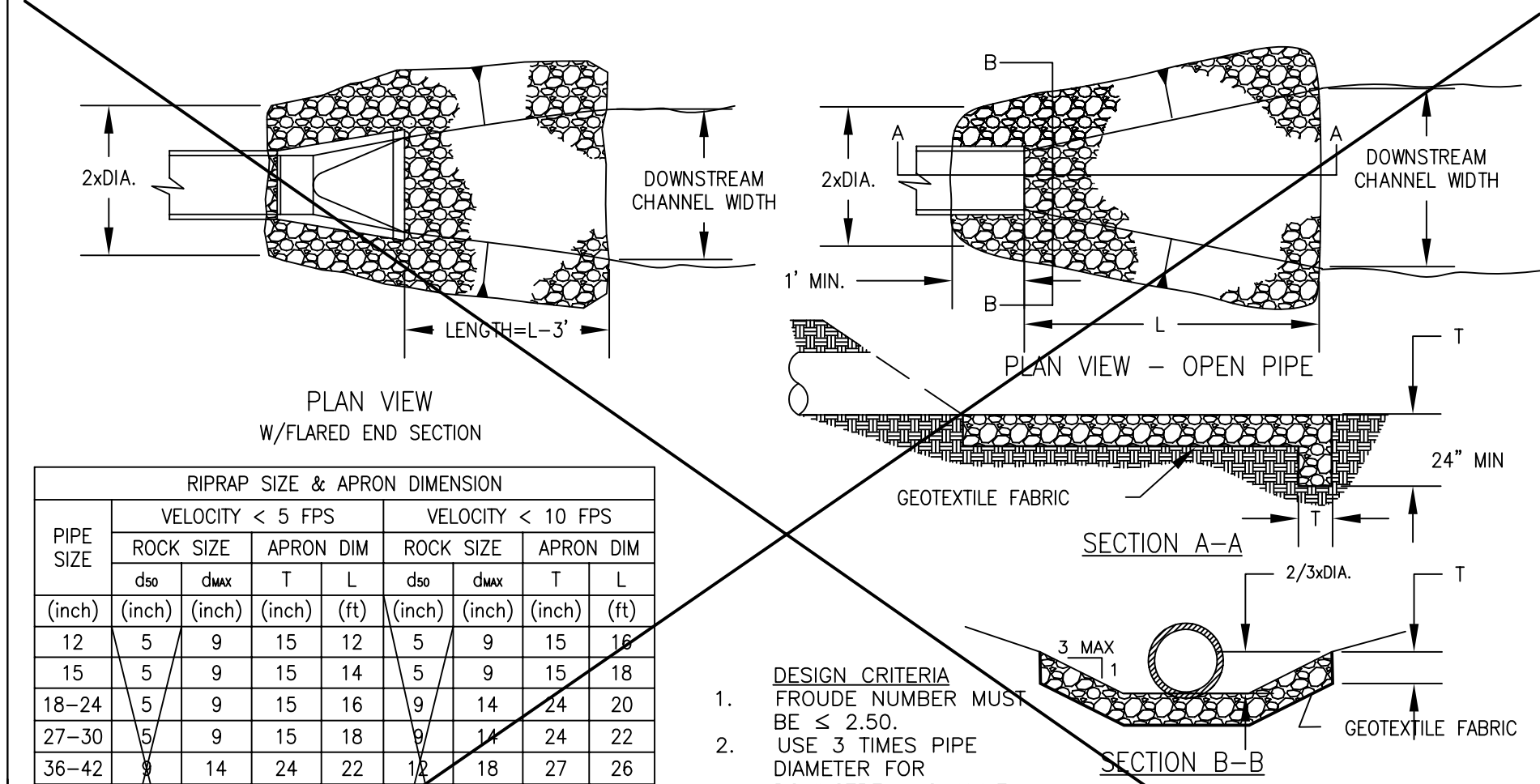
CITY OF O'FALLON
ENGINEERING DEPARTMENT
O'FALLON, MISSOURI

SWALE SEDIMENT TRAP STRAW BALE BARRIER INSTALLATION



SLOPE DRAIN SIZE

Drainage Area (sq ft)	Pipe Dia (inch)
< 1.0	12"
< 2.0	15"
< 4.0	18"
< 5.0	24"
< 6.5	27"
6.5-10	30"



RIPRAP SIZE & APRON DIMENSION

PIPE SIZE (inch)	VELOCITY < 5 FPS				VELOCITY < 10 FPS			
	ROCK SIZE (inch)	APRON DIM (inch)	ROCK SIZE (inch)	APRON DIM (inch)	ROCK SIZE (inch)	APRON DIM (inch)	ROCK SIZE (inch)	APRON DIM (inch)
12	5	9	15	12	5	9	15	10
15	5	9	15	14	5	9	15	18
18-24	5	9	15	16	9	14	24	20
27-30	5	9	15	18	9	14	24	22
36-42	9	14	24	22	12	18	27	26
48-54	9	14	24	26	12	18	27	30
60-66	12	18	27	34	15	24	30	38
72-84	15	24	30	42	15	24	30	46
96	18	27	30	50	18	27	30	54

- DESIGN CRITERIA**
- FROUDE NUMBER MUST BE ≤ 2.50.
 - USE 3 TIMES PIPE DIAMETER FOR DOWNSTREAM CHANNEL WIDTH IF THERE IS NO DEFINED CHANNEL.
 - BANK PROTECTION HEIGHT TO BE 2/3 TIMES PIPE DIAMETER.
 - ROCK SLOPES SHALL BE NO STEEPER THAN 3:1.

CITY OF O'FALLON
ENGINEERING DEPARTMENT
O'FALLON, MISSOURI

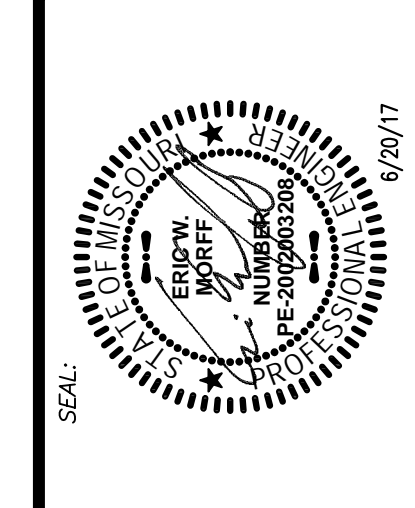
TEMPORARY OUTLET PIPE DISCHARGE PROTECTION

USER: Brian Johnson, TAB: Erosion 1
DATE: June 20, 2017 - 10:50:01 AM
DRAWING: S:\0085\062016\16-0042\CADD\C-Plan\PrintSheets\0-Fallon Erosion Control Details_16-0042.dwg

NO	REVISION DESCRIPTION	DATE	CLIENT/CITY/AGENCY COMMENTS
4		6/20/17	CLIENT/CITY/AGENCY COMMENTS
3		6/20/17	REVISED SANITARY SEWER ALIGNMENT
2		6/20/17	CLIENT/CITY/AGENCY COMMENTS
1		6/20/17	CLIENT/CITY/AGENCY COMMENTS

DEVELOPER/OWNER:
40 DD SPORTS, LLC
4160 EHLMAIN ROAD
ST. PETERS, MO 63376
636-359-0621

THE PROFESSIONAL ENGINEER'S SEAL AND SIGNATURE ARE REQUIRED FOR ALL PLANS AND SPECIFICATIONS. THE PROFESSIONAL ENGINEER'S SEAL AND SIGNATURE ARE REQUIRED FOR ALL PLANS AND SPECIFICATIONS. THE PROFESSIONAL ENGINEER'S SEAL AND SIGNATURE ARE REQUIRED FOR ALL PLANS AND SPECIFICATIONS.



MISSOURI RUSH SOCCER COMPLEX
CALEDONIA DRIVE
O'FALLON, MO 63366

EROSION CONTROL DETAILS

+ ST. LOUIS
1515 1/2 Street
Suite 100
St. Louis, MO 63103
314.984.9887 tel
www.colellc.com

cole

CIVIL ENGINEERING / SURVEYING / PLANNING / LANDSCAPE ARCHITECTURE
Cole & Associates, Inc. is an Equal Opportunity Employer. All other designations, titles, and addresses are those of the individual employees of Cole & Associates, Inc.

DESIGN/CALC BY: BSJ
DRAWN BY: BSJ
CHECKED BY: EWM
DRAWING SCALE: AS SHOWN
DATE: 4/28/17
Job Number: 16-0042-A
Sheet Number: C9.4