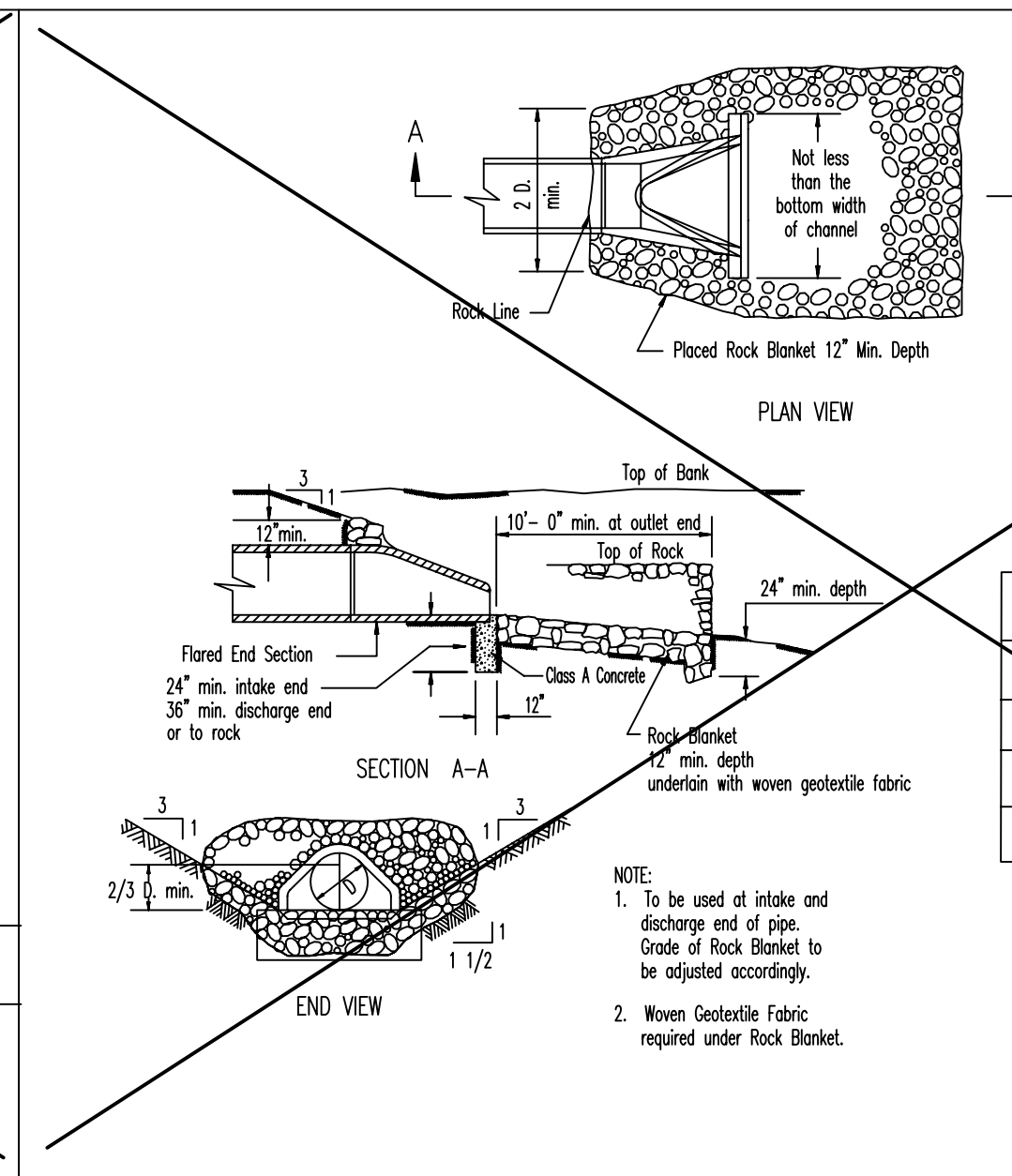


Note: At connections of 4" perforated pipe to sewer structure use an approved water stop gasket.

CITY OF O'FALLON
ENGINEERING DEPARTMENT
O'FALLON, MISSOURI

CLASS A UNDERDRAINS



MSD Type 5 Rock Blanket (% By Weight Passing)

Sieve	Maximum	Minimum
12 inch	90	70
6 inch	30	10
1/2 inch	5	0

NOTE:
1. To be used at intake and discharge end of pipe. Grade of Rock Blanket to be adjusted accordingly.
2. Woven Geotextile fabric required under Rock Blanket.

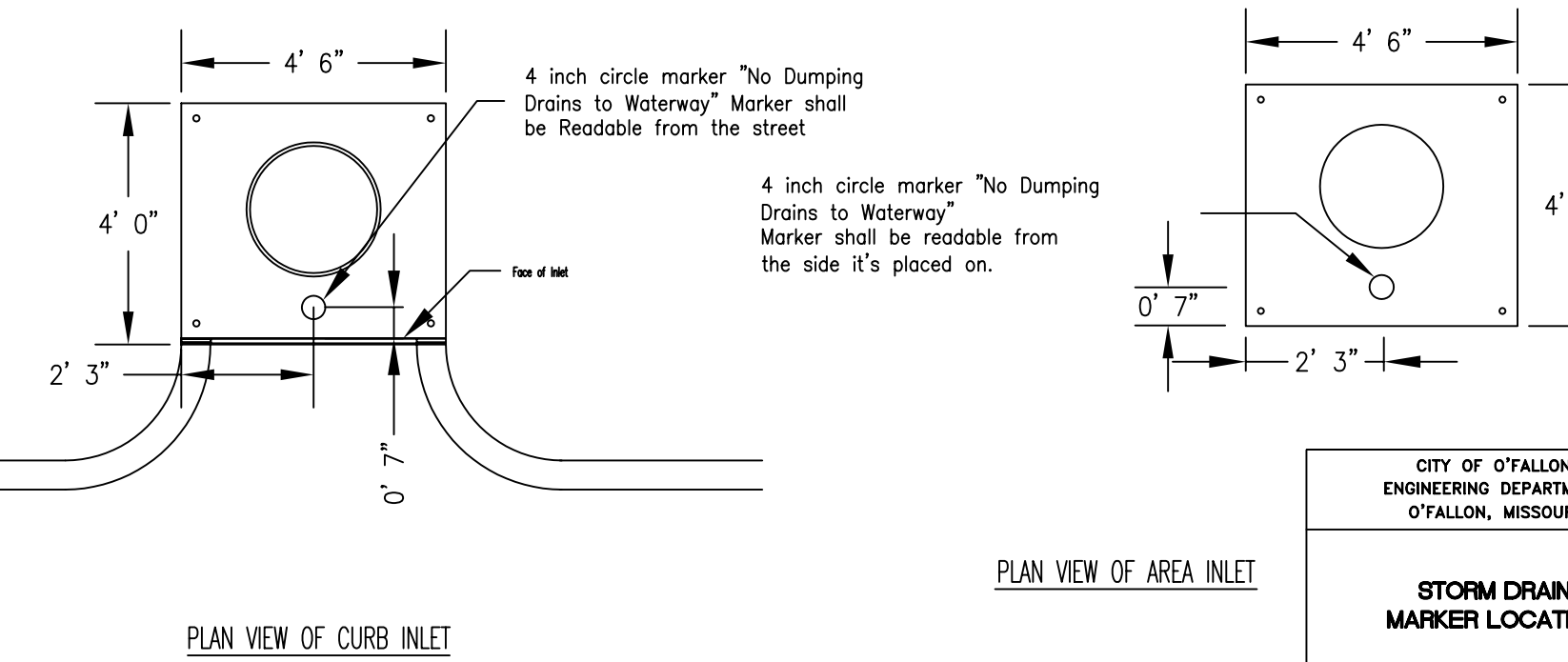
CITY OF O'FALLON
ENGINEERING DEPARTMENT
O'FALLON, MISSOURI

**SEWER CONSTRUCTION DETAILS
FLARED END SECTION
(INLET/OUTLET PROTECTION)**

* The discharge point of all flared end sections shall be protected by rip rap or other approved means.
** Rip rap shown at flared end sections will be evaluated in the field by the Engineer, Contractor, and City Inspectors after installation for effectiveness and field modified, if necessary to reduce erosion on and off site.

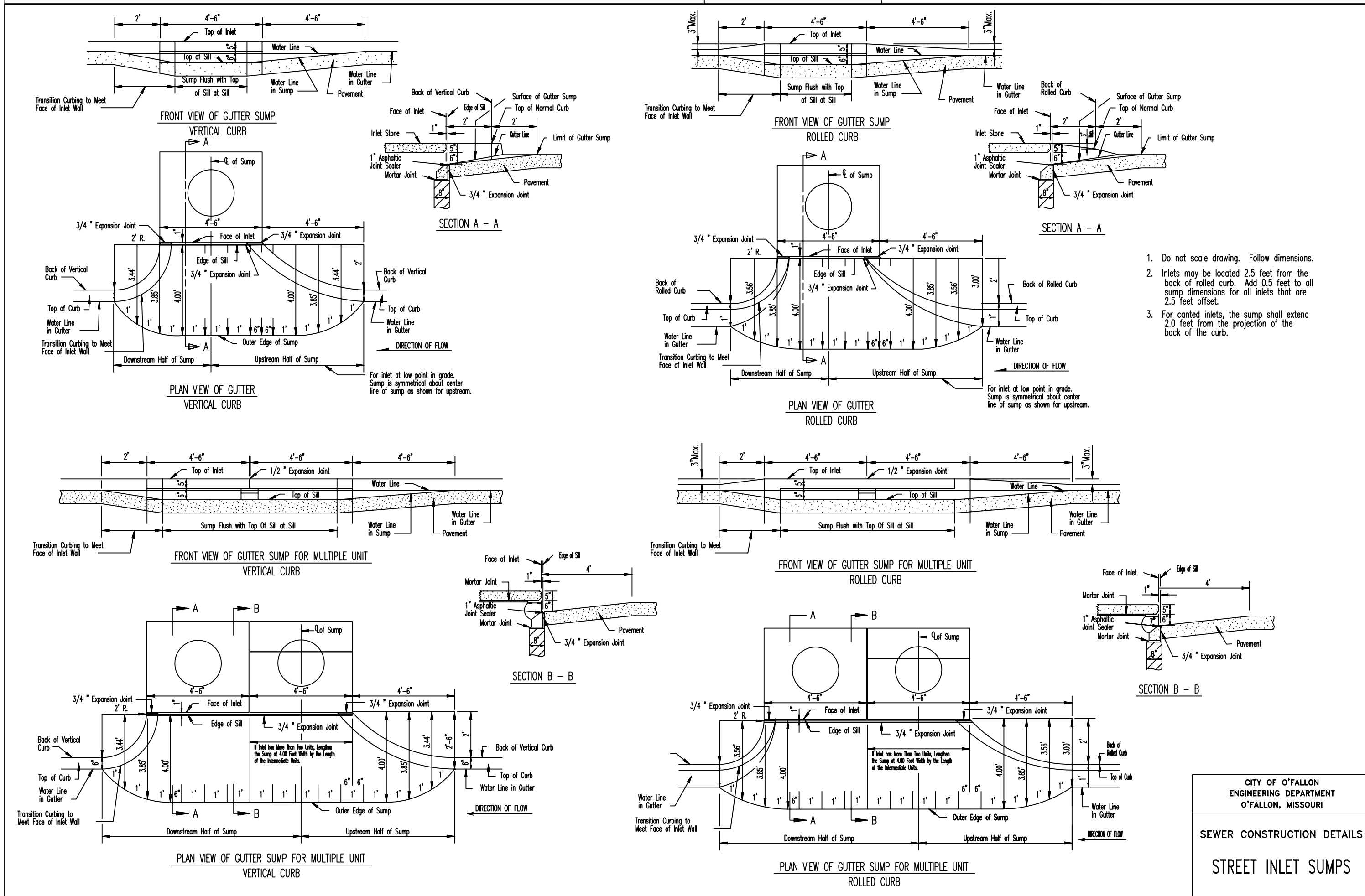
* The City of O'Fallon must be provided with a symbol/medallion for review and approval prior to installation. Contact the City if any information is needed.

Size	Style	Adhesive	Message (Part #)
3 7/8" 10" 4"	Crystal Cap or Standard Style	Epoxy	No Dumping Drains to Waterway



CITY OF O'FALLON
ENGINEERING DEPARTMENT
O'FALLON, MISSOURI

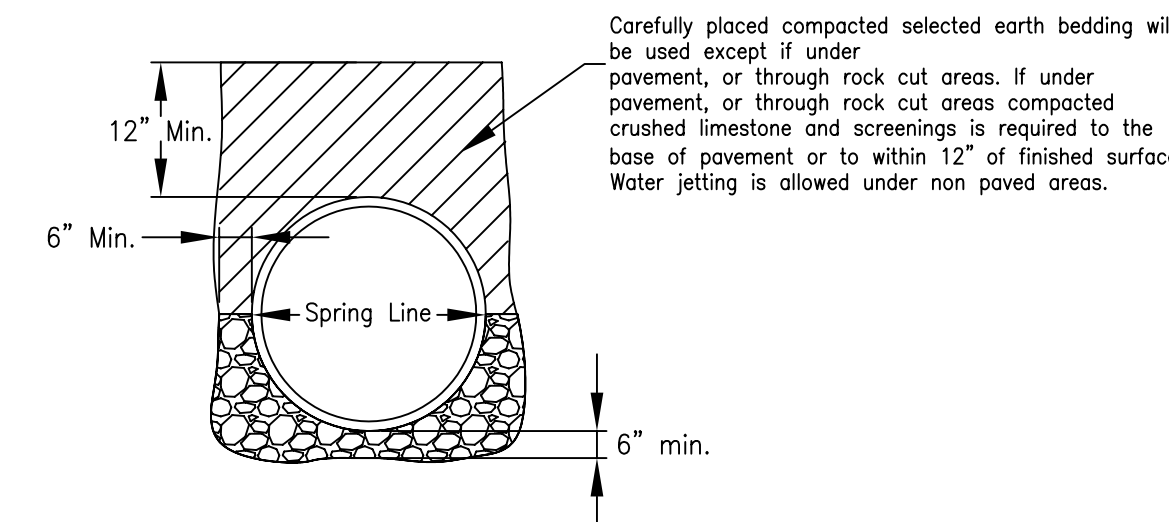
**STORM DRAIN
MARKER LOCATION**



CITY OF O'FALLON
ENGINEERING DEPARTMENT
O'FALLON, MISSOURI

**SEWER CONSTRUCTION DETAILS
STREET INLET SUMPS**

* All other Storm or Sanitary Sewer Details will be by M.S.D. 2007 Standards and Specifications.



1. Do not scale drawing. Follow dimensions.
2. Inlets may be located 2.5 feet from the back of rolled curb. Add 0.5 feet to all sump dimensions for all inlets that are 2.5 feet offset.
3. For canted inlets, the sump shall extend 2.0 feet from the projection of the back of the curb.

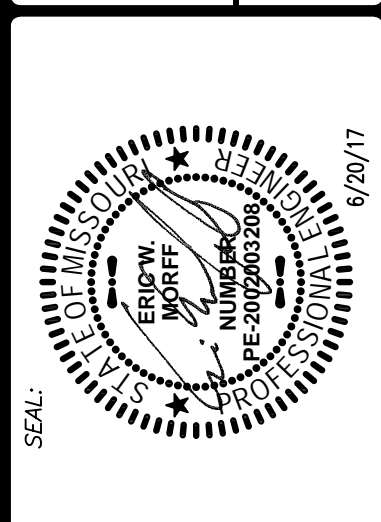
CITY OF O'FALLON
ENGINEERING DEPARTMENT
O'FALLON, MISSOURI

**TRENCH
DETAIL**

DATE	NO	REVISION DESCRIPTION
6/29/17	4	CLIENT/CITY/AGENCY COMMENTS
6/29/17	3	REVISED SANITARY SEWER ALIGNMENT
6/29/17	2	REVISED SANITARY SEWER ALIGNMENT
6/29/17	1	CLIENT/CITY/AGENCY COMMENTS

DEVELOPER/OWNER:
40 DD SPORTS, LLC
4160 EHLMANN ROAD
ST. PETERS, MO 63376
636-359-0621

THE PROFESSIONAL WHOSE SIGNATURE AND PERSONAL SEAL APPEAR HEREON HAS REVIEWED THIS DRAWING AND ASSURES THAT THE DESIGN AND CONSTRUCTION SPECIFICATIONS, ESTIMATES, REPORTS, OR OTHER DOCUMENTS OR INSTRUMENTS NOTED ON THIS DRAWING WERE PREPARED BY HIMSELF OR UNDER HIS CLOSE PERSONAL SUPERVISION AND THAT HE IS A LICENSED PROFESSIONAL ENGINEER IN THE STATE OF MISSOURI.



MISSOURI RUSH
SOCCER COMPLEX
CALEDONIA DRIVE
O'FALLON, MO 63366

STORM SEWER DETAILS

+ ST. LOUIS
11515 1/2th Street
Suite 200
St. Louis, MO 63103
314.984.9887 tel
www.coilestl.com

COILE
CIVIL ENGINEERING / SURVEYING / PLANNING / LANDSCAPE ARCHITECTURE
Coile & Associates, Inc. is an Equal Opportunity Employer. All work is performed in accordance with the City of O'Fallon.

DESIGN/CALC BY	BSJ
DRAWN BY	BSJ
CHECKED BY	EWM
DRAWING SCALE	AS SHOWN
DATE	4/28/17
Job Number	16-0042-A
Sheet Number	C10.0