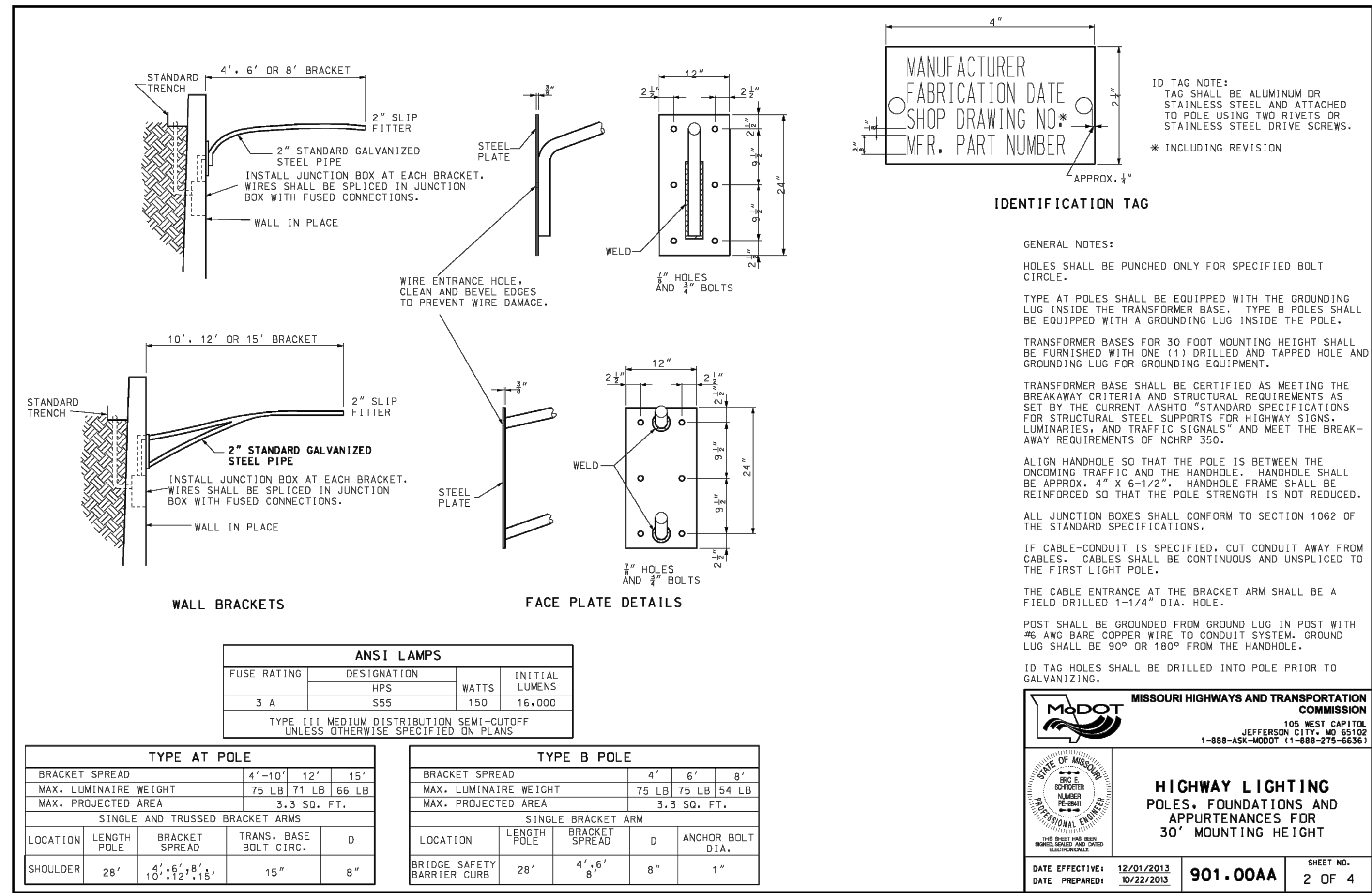
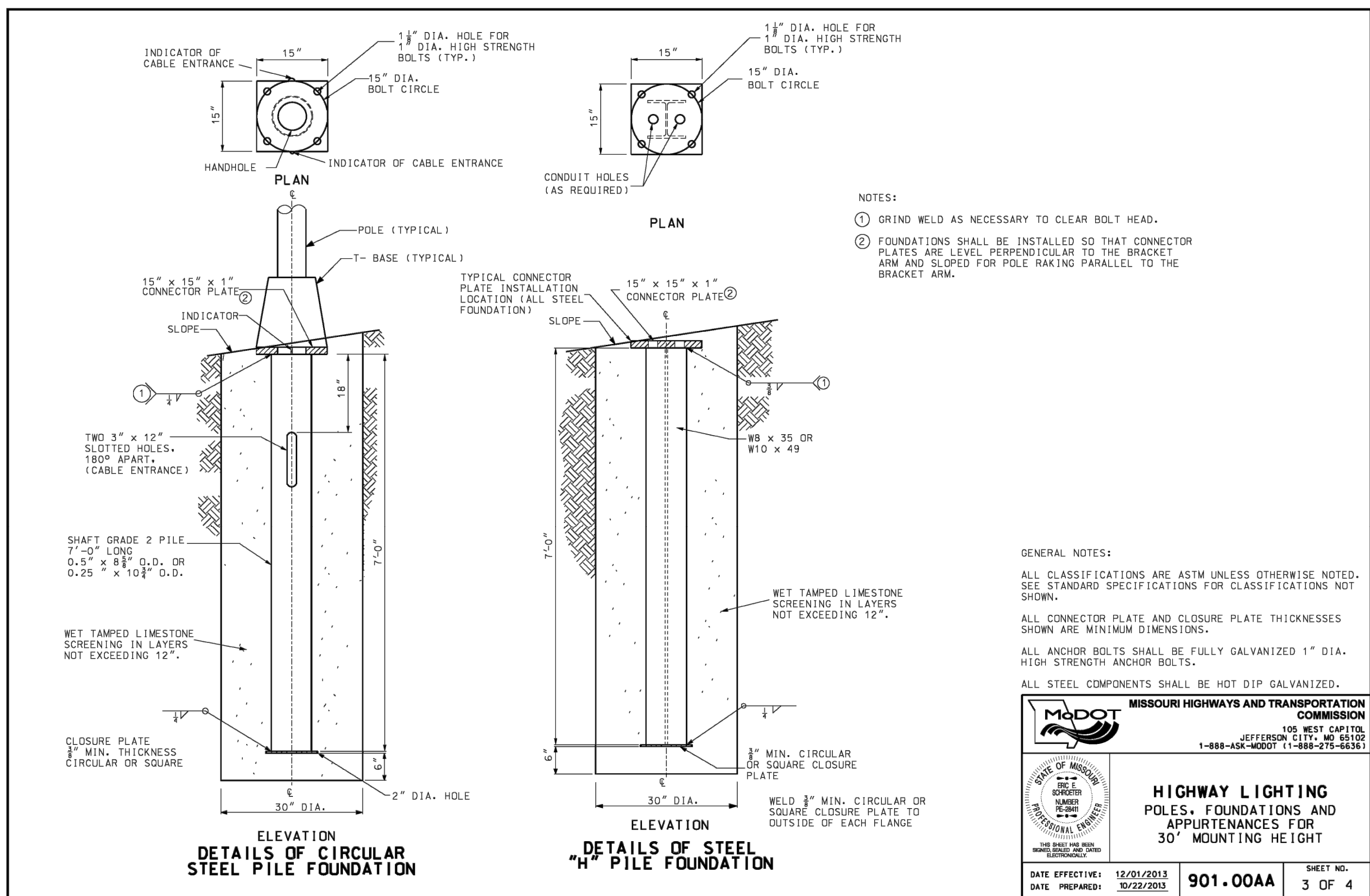


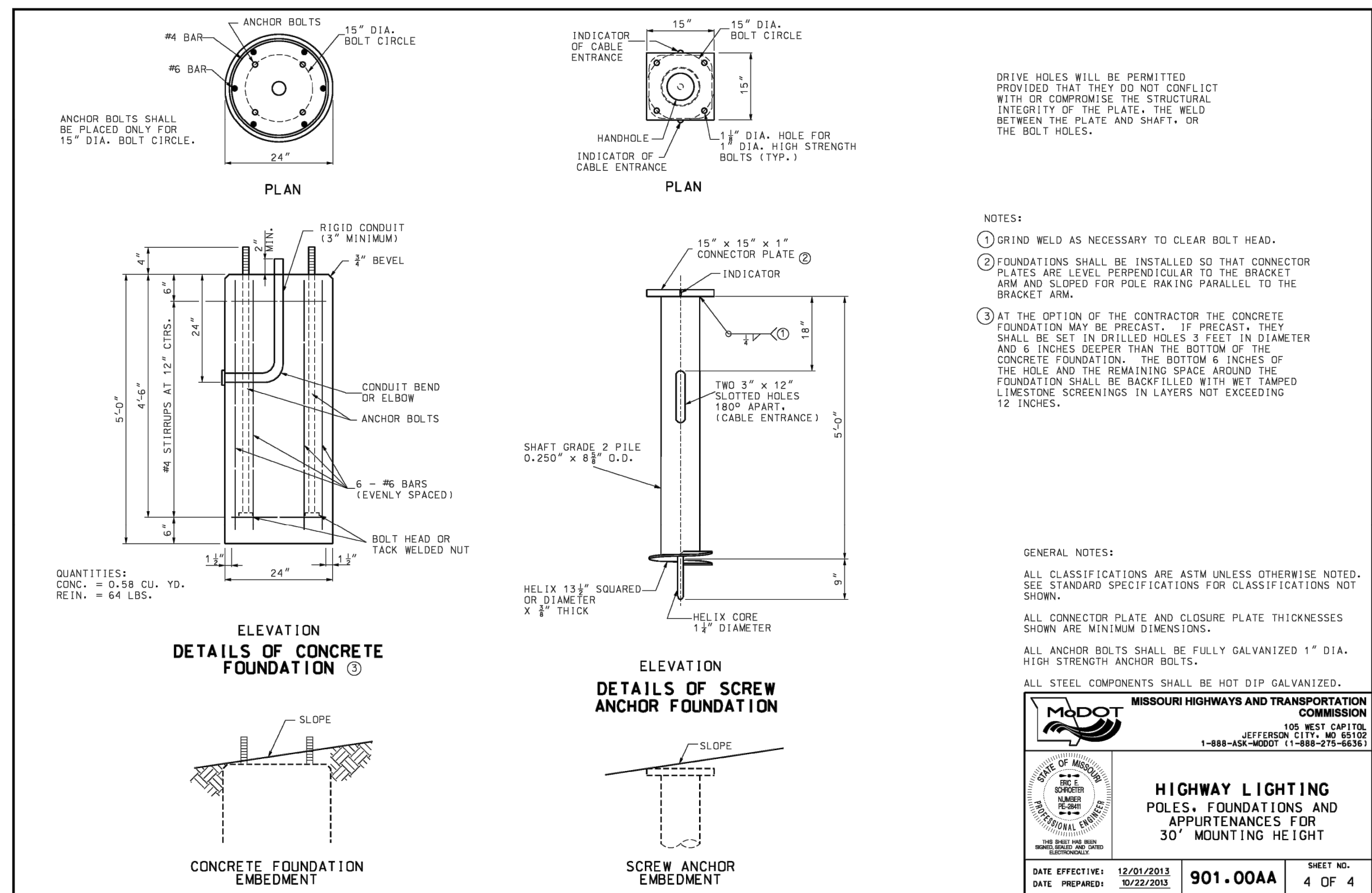
IF A SEAL IS PRESENT ON THIS SHEET IT HAS BEEN ELECTRONICALLY SEALED AND DATED.



IF A SEAL IS PRESENT ON THIS SHEET IT HAS BEEN ELECTRONICALLY SEALED AND DATED.



IF A SEAL IS PRESENT ON THIS SHEET IT HAS BEEN ELECTRONICALLY SEALED AND DATED.



IF A SEAL IS PRESENT ON THIS SHEET IT HAS BEEN ELECTRONICALLY SEALED AND DATED.

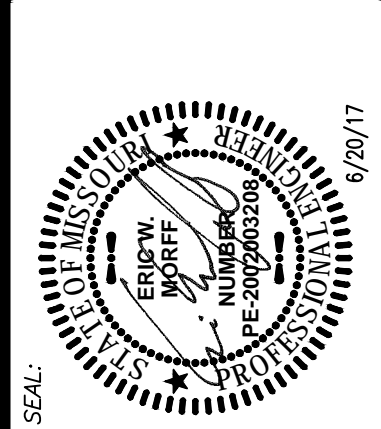
USER: Brian Johnson, TAB: MDDOT LIGHT DETAILS, DATE: June 20, 2017 - 11:26:36 AM, DRAWING: S:\WORKS\Jobs\2016\16-0042\CADD\C-Plan\PlanSheets\0-PAVEMENT DETAILS_16-0042.dwg

DATE	NO	REVISION DESCRIPTION
6/29/17	1	CLIENT/AGENCY COMMENTS
6/29/17	2	REVISED SANITARY SEWER ALIGNMENT
6/29/17	1	CLIENT/AGENCY COMMENTS

DEVELOPER/OWNER:
 40 DD SPORTS, LLC
 4160 EHLMANN ROAD
 ST. PETERS, MO 63376
 636-389-0621

THE PROFESSIONAL ENGINEER'S SEAL AND PERSONAL SEAL APPEAR HEREON AS EVIDENCE OF HIS/HER QUALIFICATION TO SEAL THIS DRAWING. THE ENGINEER'S SEAL IS REQUIRED FOR ALL DRAWINGS PER THE MISSOURI PROFESSIONAL ENGINEERING ACT AND THE MISSOURI PROFESSIONAL LANDSCAPE ARCHITECTURE ACT. ANY RESPONSIBILITY FOR ANY ERRORS OR OMISSIONS IN THIS DRAWING SHALL BE THE RESPONSIBILITY OF THE ENGINEER OR ARCHITECT. FOR ANY PART OR PARTS OF THE PROJECT TO WHICH THIS SEAL REFERS.

6/29/17



MISSOURI RUSH SOCCER COMPLEX
 CALEDONIA DRIVE
 O'FALLON, MO 63366

MODOT STREET LIGHT DETAILS

+ ST. LOUIS
 10th Street
 Suite 200
 St. Louis, MO 63103
 314.984.9887 / e
 www.colest.com

COLE
 CIVIL ENGINEERING / SURVEYING / PLANNING / LANDSCAPE ARCHITECTURE
 Cole & Associates, Inc. is a Missouri Corporation s.b.a. Cole & Associates, Inc. is a Missouri Corporation s.b.a. registered in the State of Missouri.

DESIGN/CALC BY	BSJ
DRAWN BY	BSJ
CHECKED BY	EWM
DRAWING SCALE	AS SHOWN
DATE	4/28/17
Job Number	16-0042-A
Sheet Number	C12.3