

ROUND PIPE				HORIZONTAL ELLIPTICAL PIPE			
INSIDE DIAMETER OF PIPE (INCHES)	"W" PAYLINE WIDTH OF TRENCH (INCHES)	"M" PAYLINE WIDTH OF TRENCH (FEET)	PAY-VOLUMES (CU. FT. PER FT.)	INSIDE DIMENSIONS OF PIPE (INCHES)	"W" PAYLINE WIDTH OF TRENCH (INCHES)	"M" PAYLINE WIDTH OF TRENCH (FEET)	PAY-VOLUMES (CU. FT. PER FT.)
4	30	2.50	3.28				
6	30	2.50	3.58				
8	30	2.50	3.87				
10	30	2.50	4.09				
12	30	2.50	4.25				
15	36	3.00	5.55				
18	36	3.00	5.77	14 x 23	41	3.42	5.94
21	39	3.25	6.81				
24	42	3.50	7.39	19 x 30	49	4.08	7.88
27	45	3.75	8.18	22 x 34	53	4.42	8.81
30	49	4.08	9.30	24 x 38	58	4.83	9.70
33	53	4.42	10.53	27 x 42	62	5.17	10.71
36	56	4.87	11.43	29 x 45	66	5.50	11.72
39	60	5.25	13.38	34 x 49	71	5.92	13.14
42	63	5.63	15.38	36 x 53	75	6.25	14.05
48	70	6.42	18.15	43 x 60	83	6.92	18.18
54	77	7.21	20.72	48 x 66	92	7.57	19.81
60	84	8.00	23.72	54 x 72	101	8.42	21.58
66	91	8.79	26.45	59 x 78	109	9.08	24.35
72	98	9.58	29.27	66 x 84	118	9.83	27.45
78	105	10.37	32.57	72 x 90	126	10.50	30.50
84	112	11.16	35.87	78 x 96	135	11.25	33.91
90	119	11.95	39.50	84 x 102	143	11.92	36.99
96	126	12.74	42.97	90 x 108	152	12.67	40.69
102	133	13.53	46.92	96 x 114	160	13.33	44.45
108	140	14.32	50.86	102 x 120	168	14.00	47.79
114	147	15.11	54.81	108 x 126	176	14.67	51.70
120	154	15.90	58.75	114 x 132	185	15.42	56.01
126	161	16.69	62.70	120 x 138	193	16.17	60.32
132	168	17.48	66.64	126 x 144	202	16.93	64.64
138	175	18.27	70.59	132 x 150	210	17.68	68.95
144	182	19.06	74.54	138 x 156	218	18.43	73.26

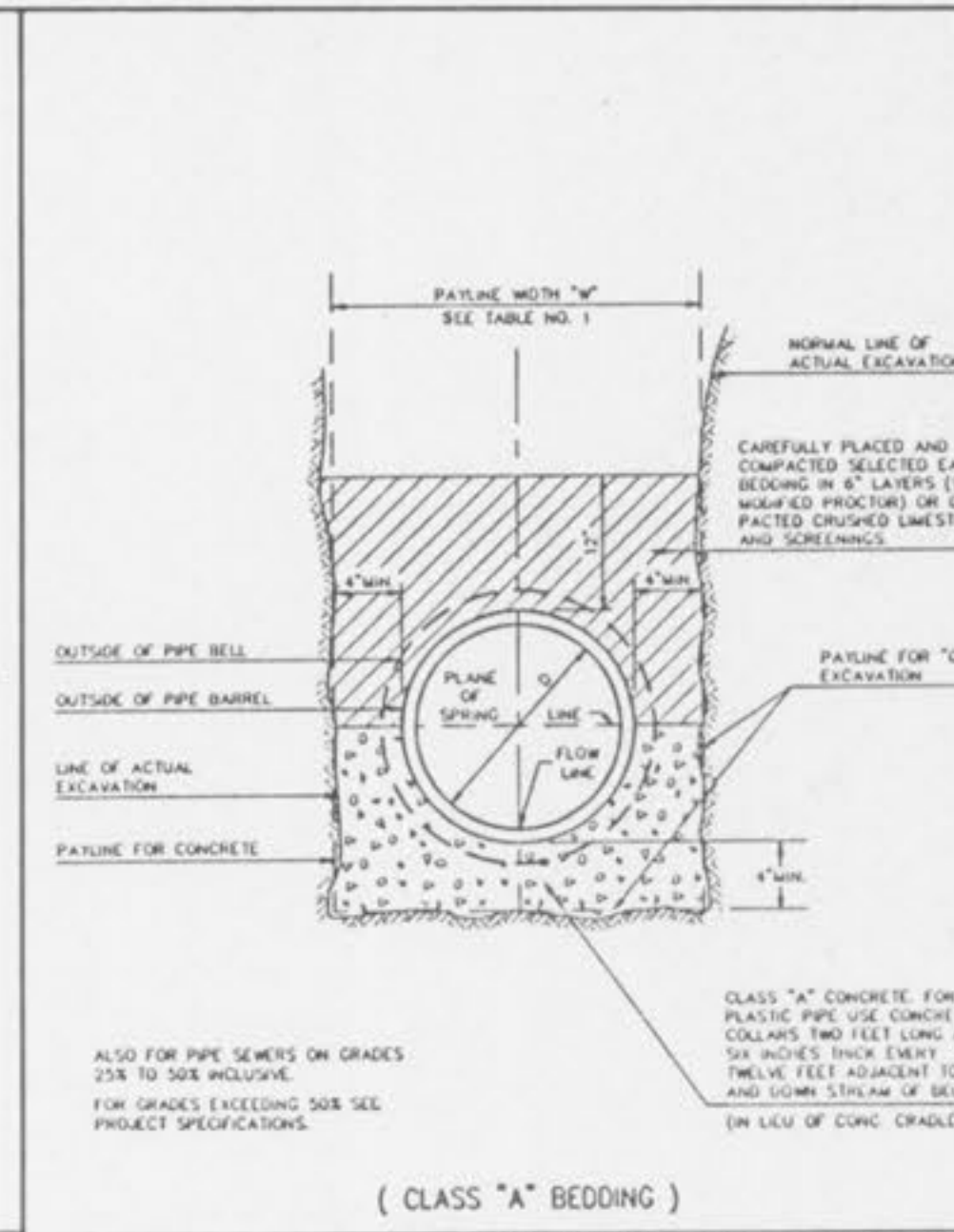
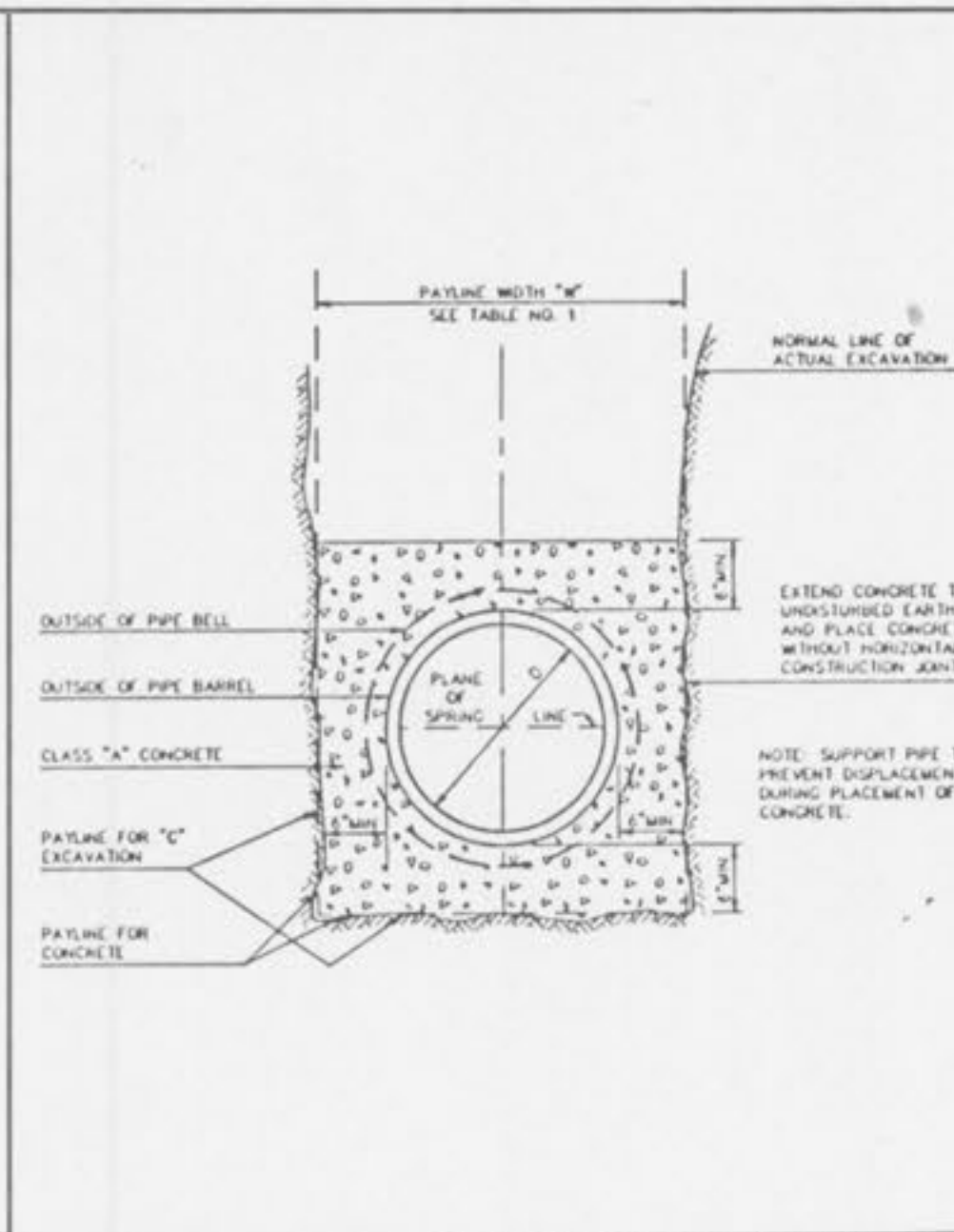
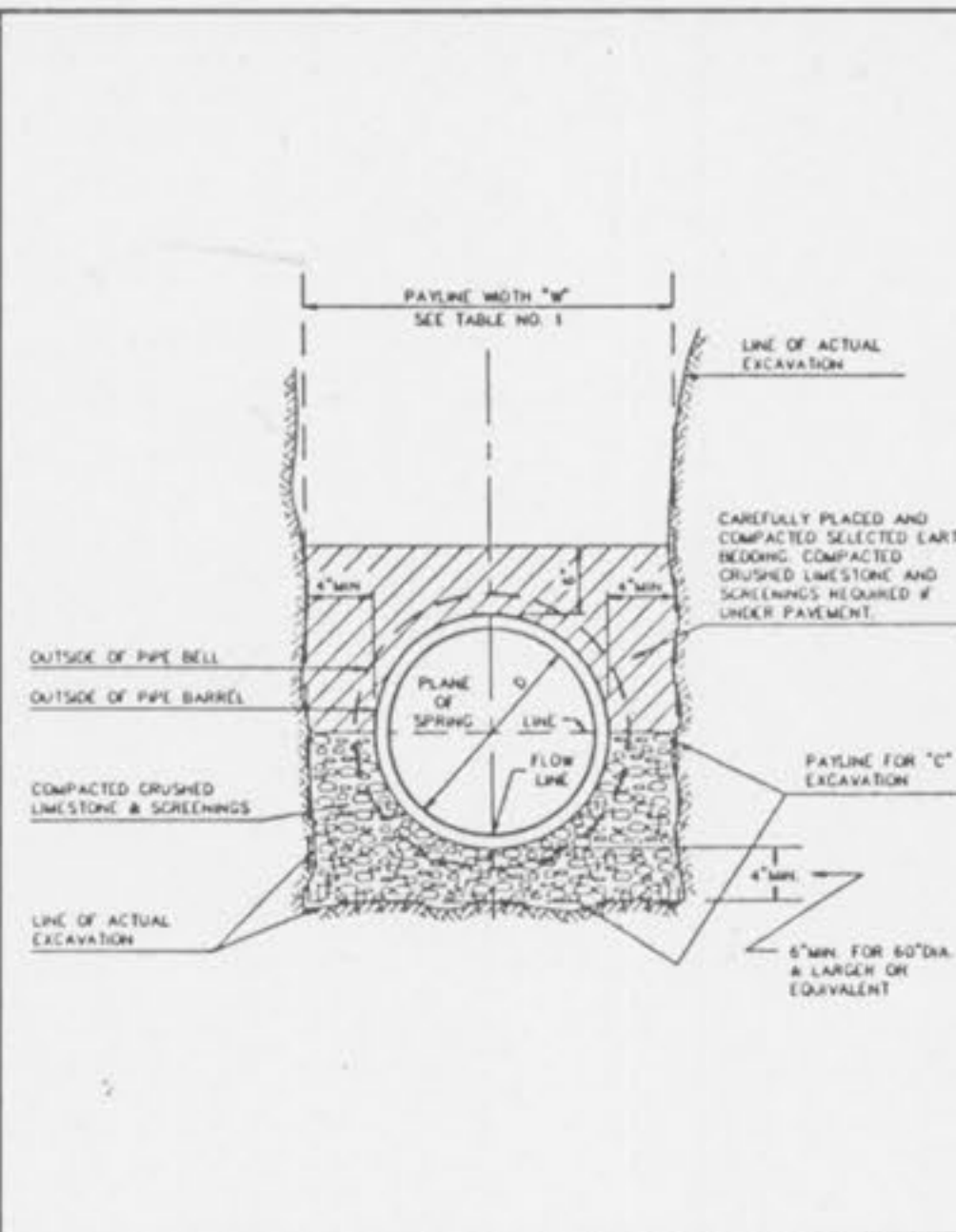
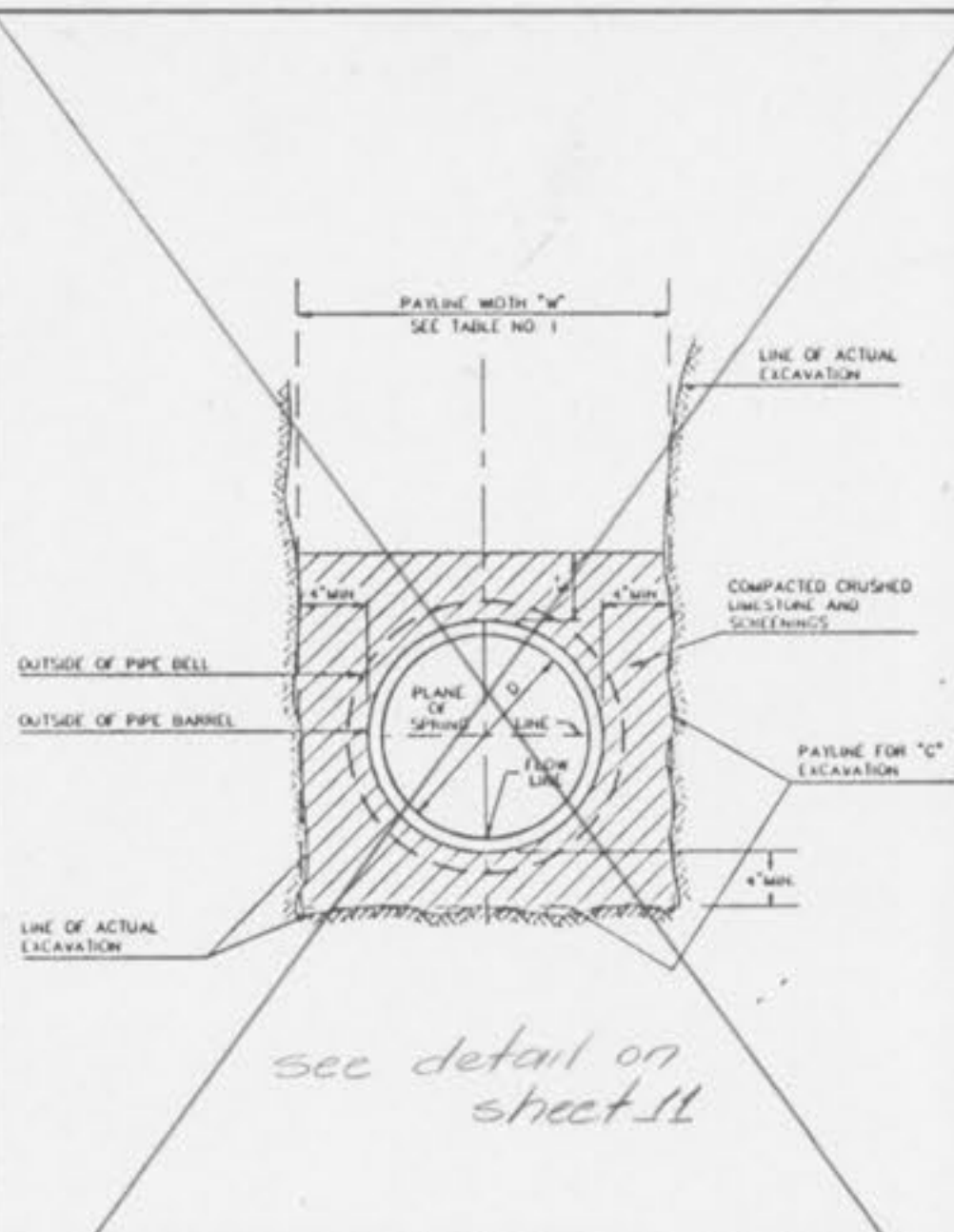
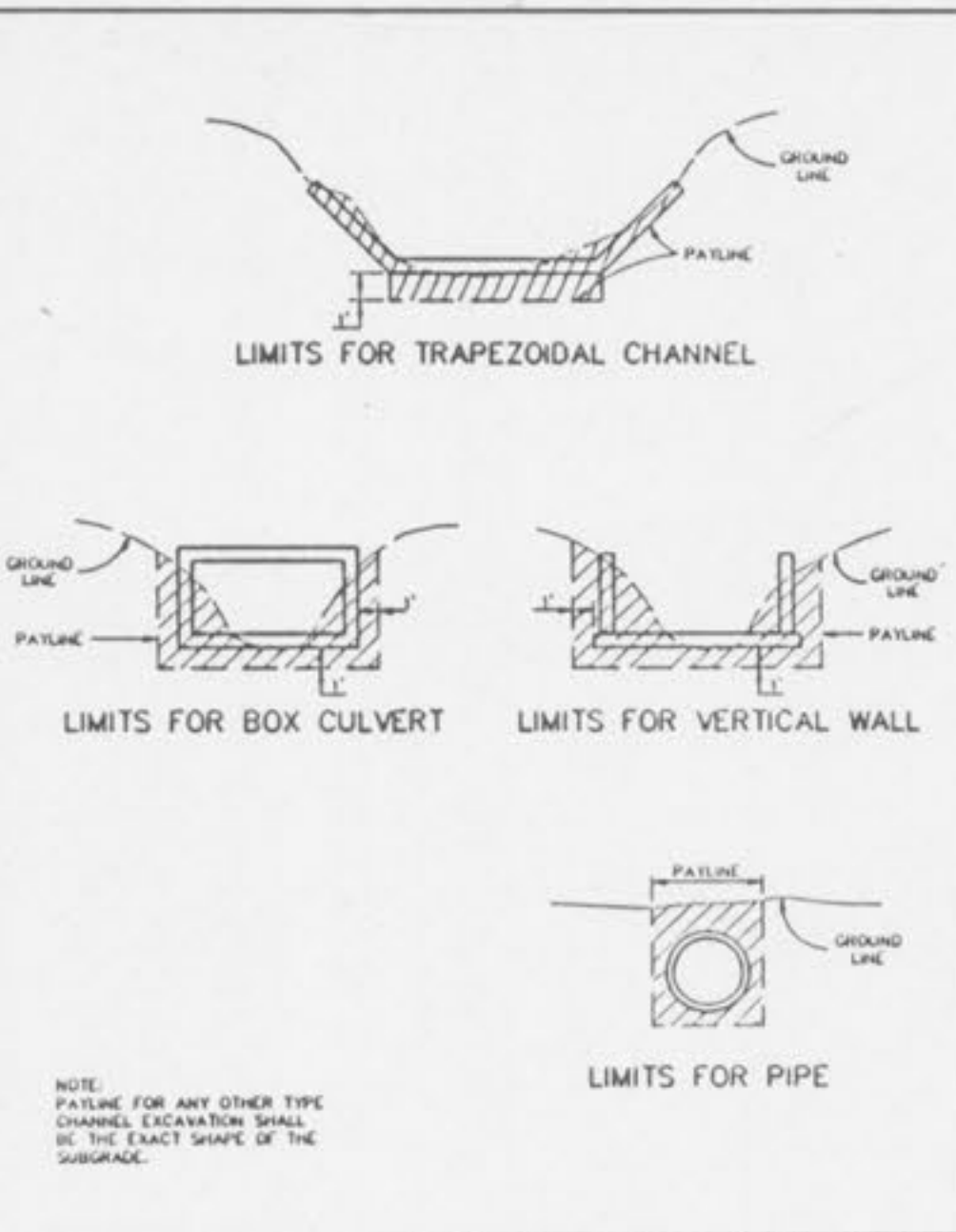


TABLE 1 PAYLINE WIDTHS OF TRENCH AND PAY-QUANTITIES OF CONCRETE	METROPOLITAN ST. LOUIS SEWER DISTRICT Standard Details of Sewer Construction Dr. B.E.B. Ch. J.C.K. 1992 SHEET 1
--	--

PAYLINE LIMITS FOR EXCAVATION	METROPOLITAN ST. LOUIS SEWER DISTRICT Standard Details of Sewer Construction Dr. W.S.H. Ch. J.C.K. 1992 SHEET 2
-------------------------------	--

PIPE BEDDING CLASS "C" (FOR ALL PIPE EXCEPT REINFORCED CONCRETE PIPE)	METROPOLITAN ST. LOUIS SEWER DISTRICT Standard Details of Sewer Construction Dr. W.S.H. Ch. J.C.K. 1992 SHEET 3
---	--

PIPE BEDDING CLASS "C" (MODIFIED FOR REINFORCED CONCRETE PIPE)	METROPOLITAN ST. LOUIS SEWER DISTRICT Standard Details of Sewer Construction Dr. W.S.H. Ch. J.C.K. 1992 SHEET 4
--	--

CONCRETE ENCASEMENT	METROPOLITAN ST. LOUIS SEWER DISTRICT Standard Details of Sewer Construction Dr. W.S.H. Ch. J.C.K. 1992 SHEET 5
---------------------	--

CONCRETE CRADLE	METROPOLITAN ST. LOUIS SEWER DISTRICT Standard Details of Sewer Construction Dr. W.S.H. Ch. J.C.K. 1992 SHEET 6
-----------------	--

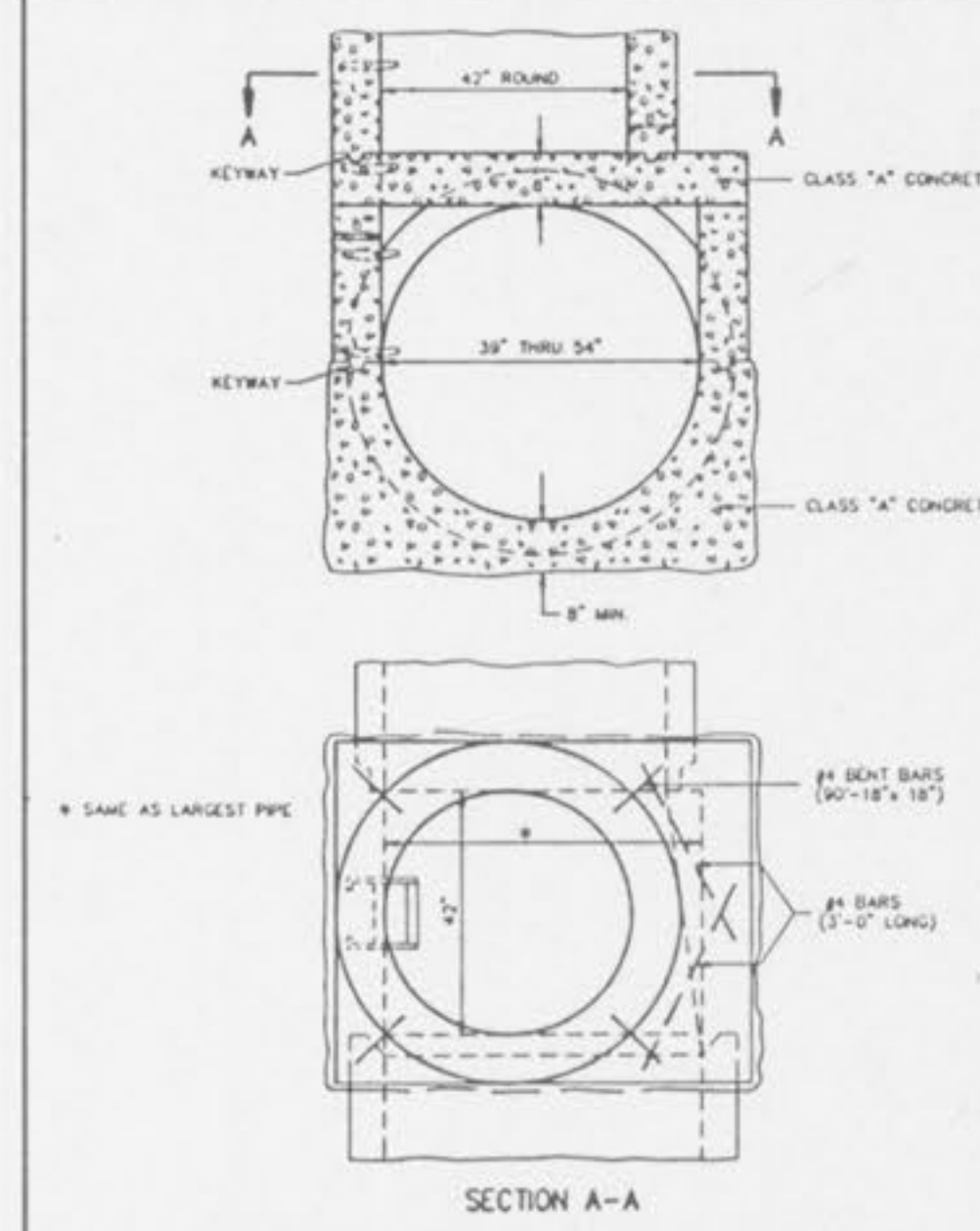
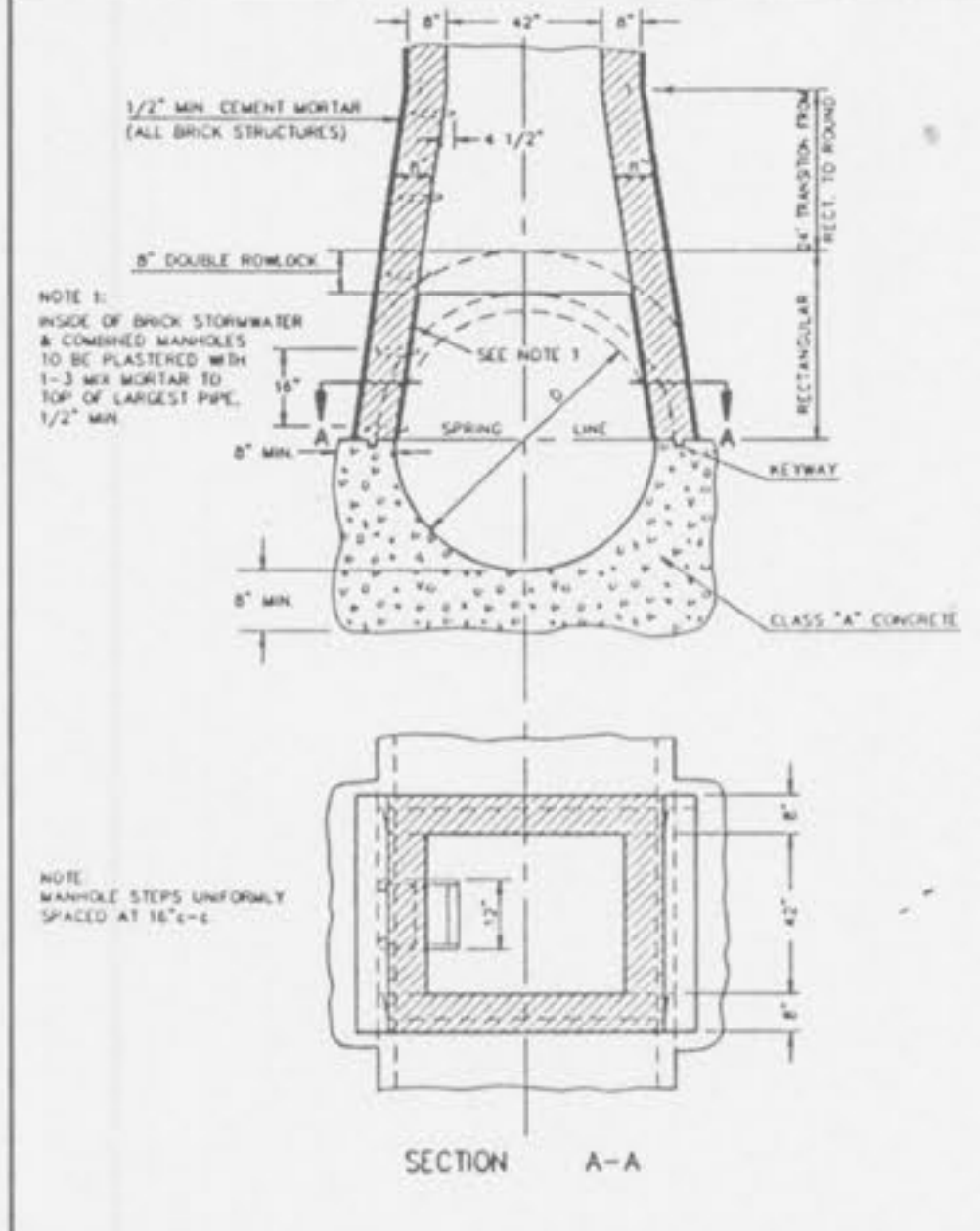
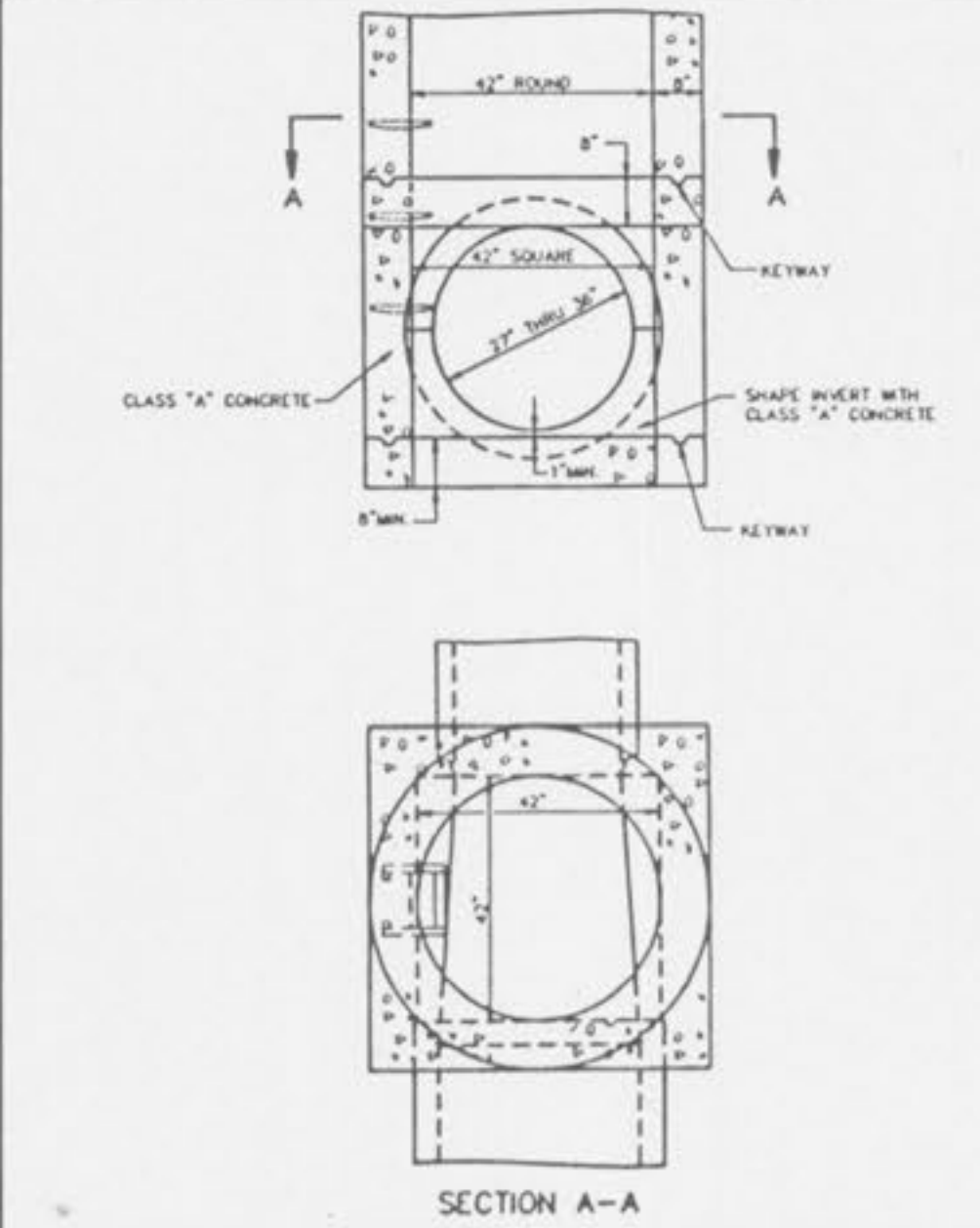
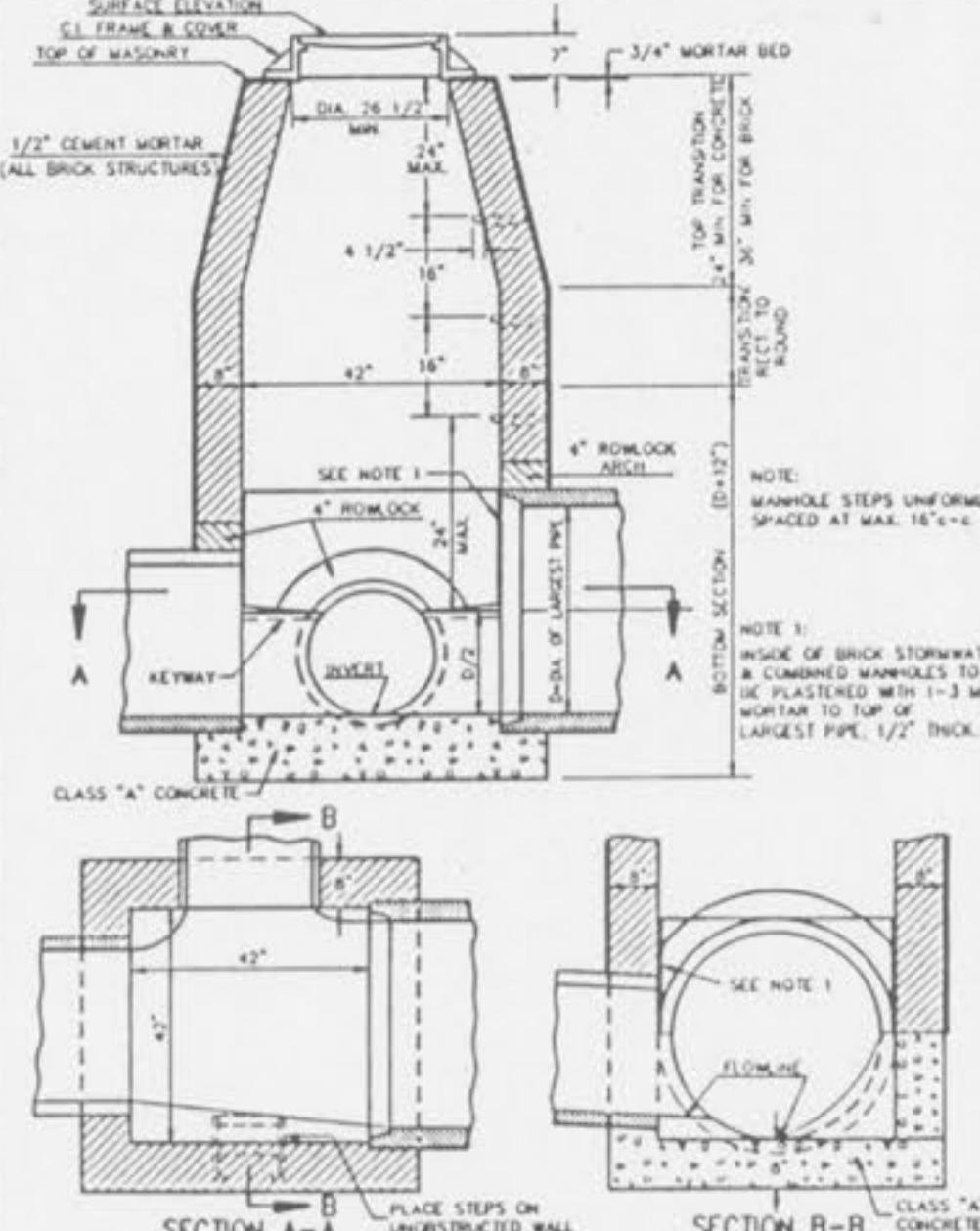
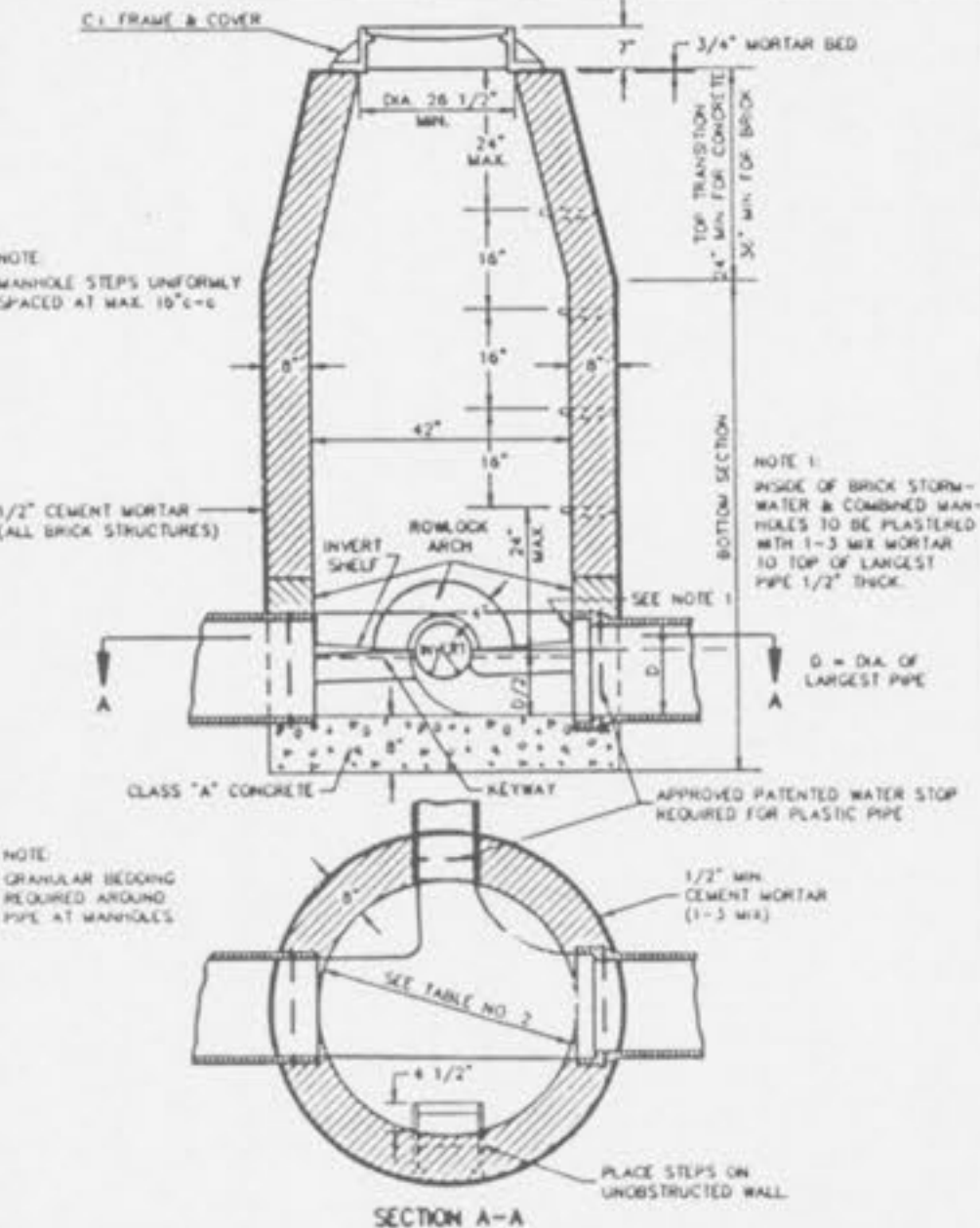
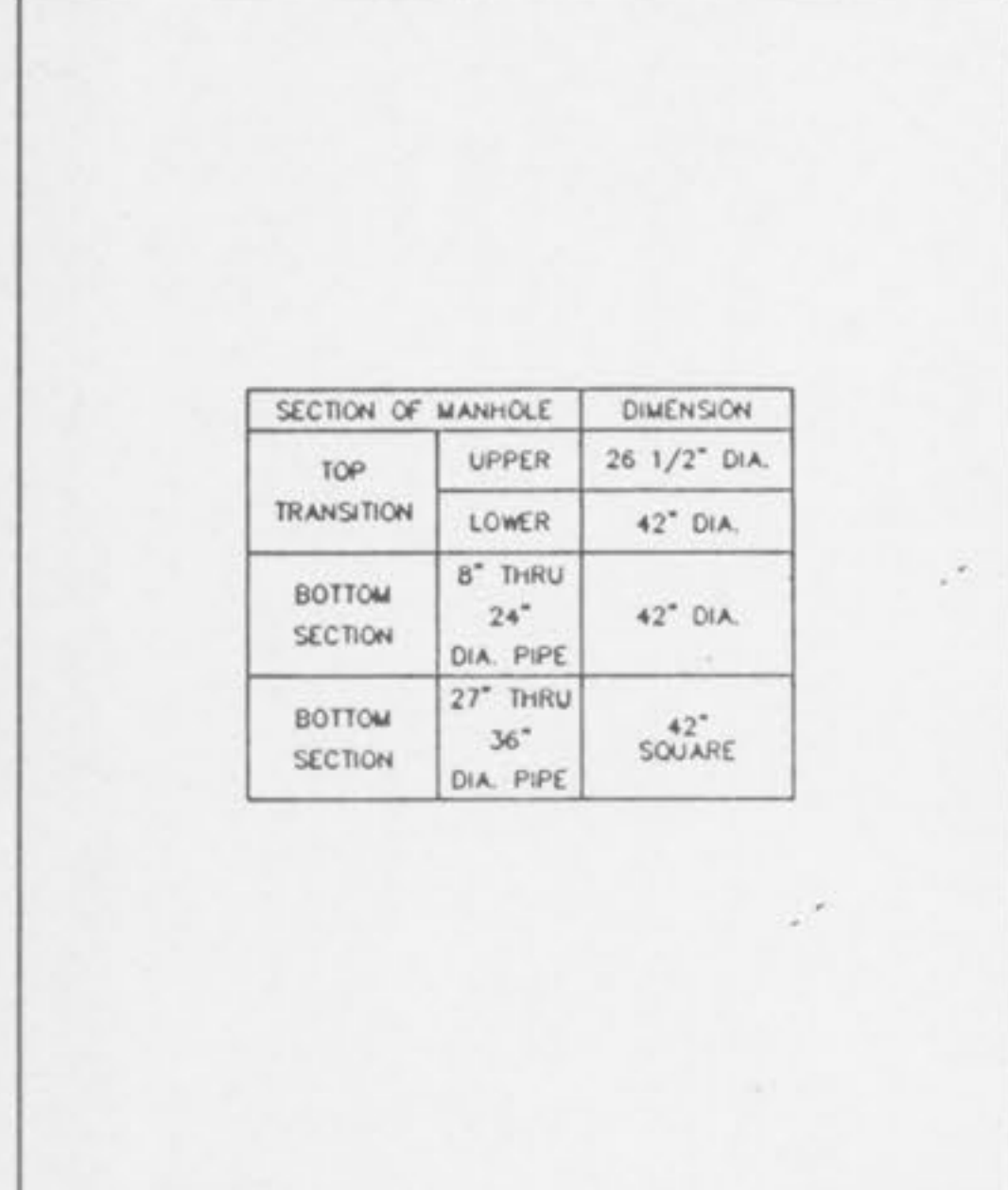


TABLE NO. 2 STANDARD MANHOLE DIMENSIONS	METROPOLITAN ST. LOUIS SEWER DISTRICT Standard Details of Sewer Construction Dr. R.G.W. Ch. J.C.K. 1992 SHEET 7
--	--

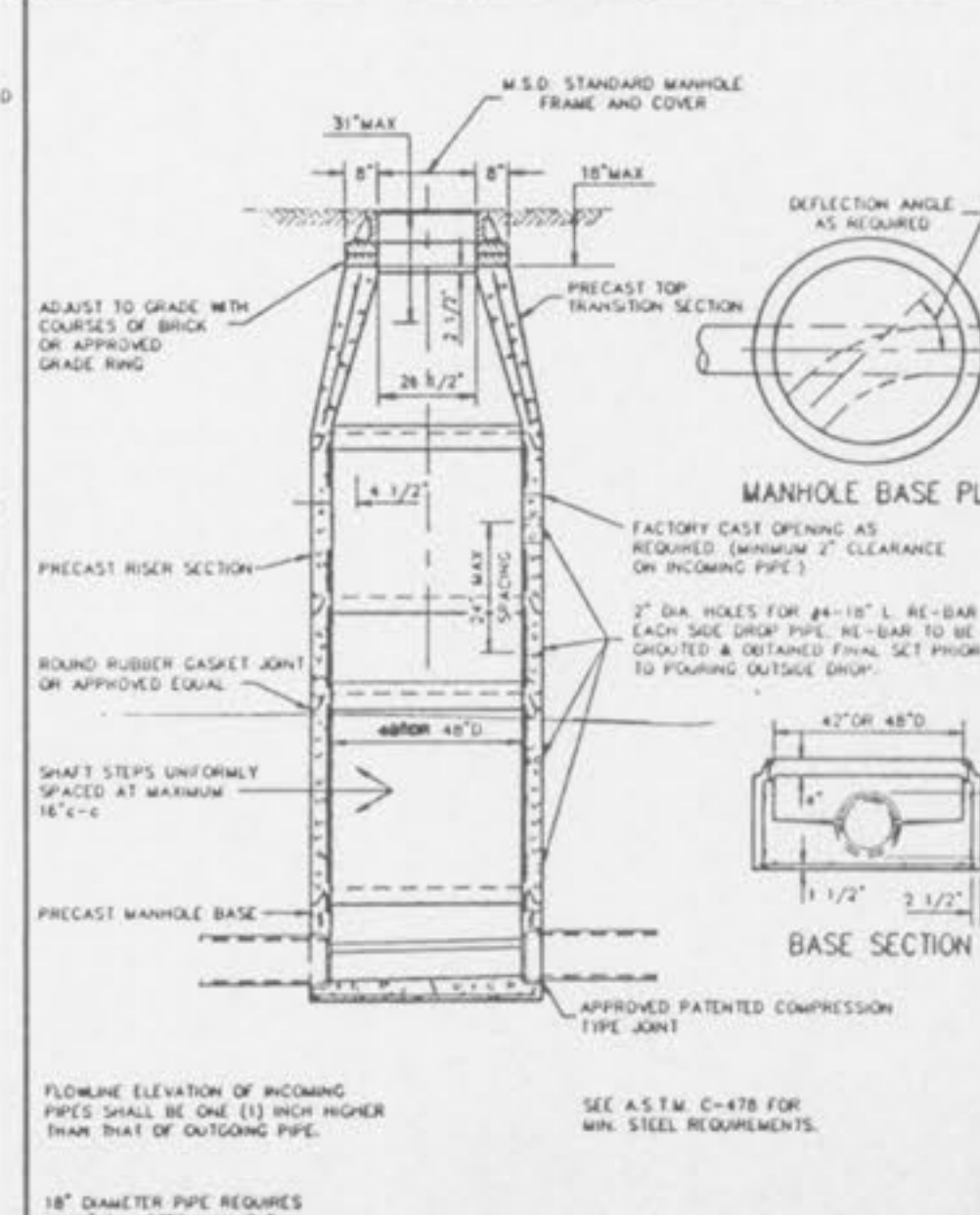
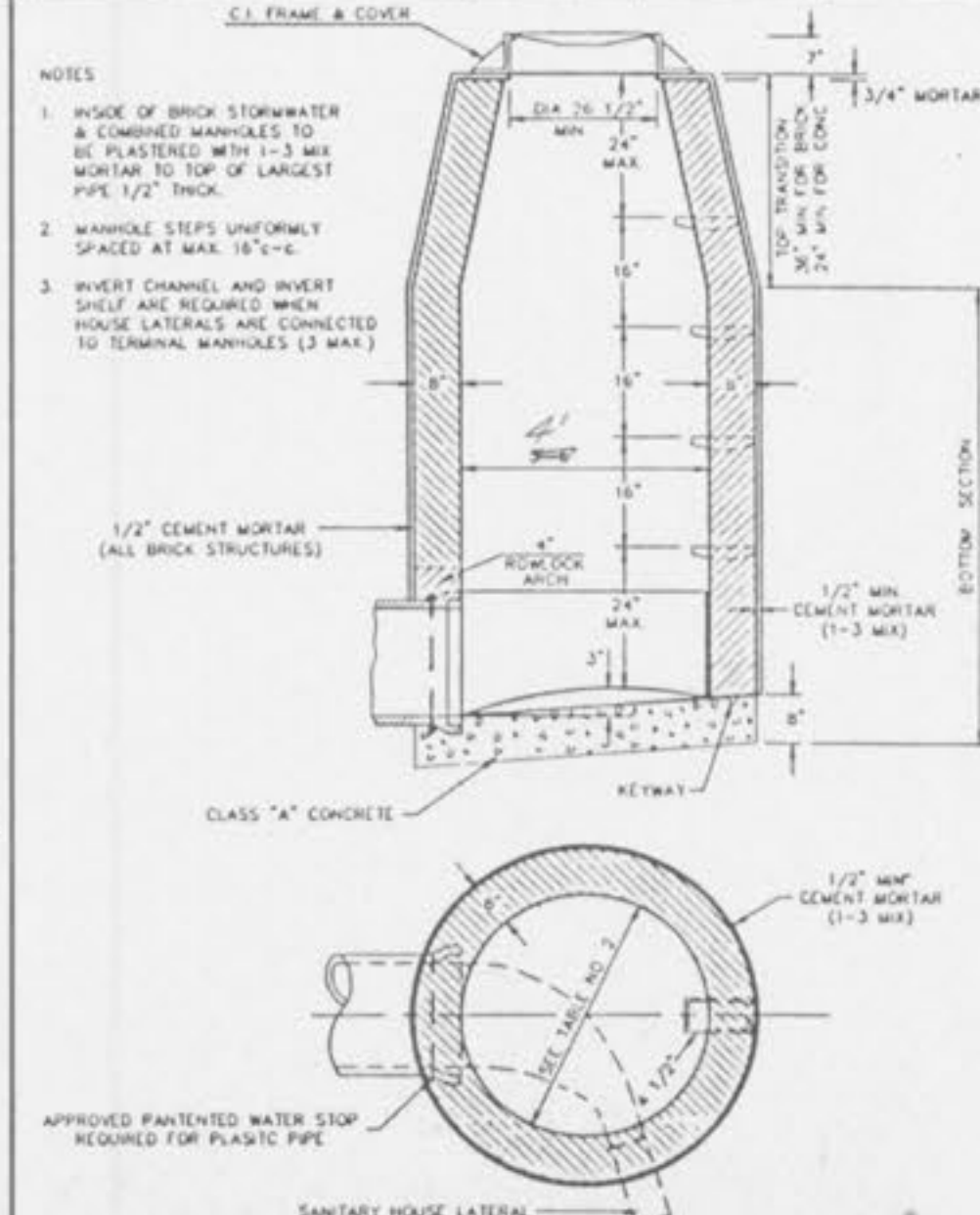
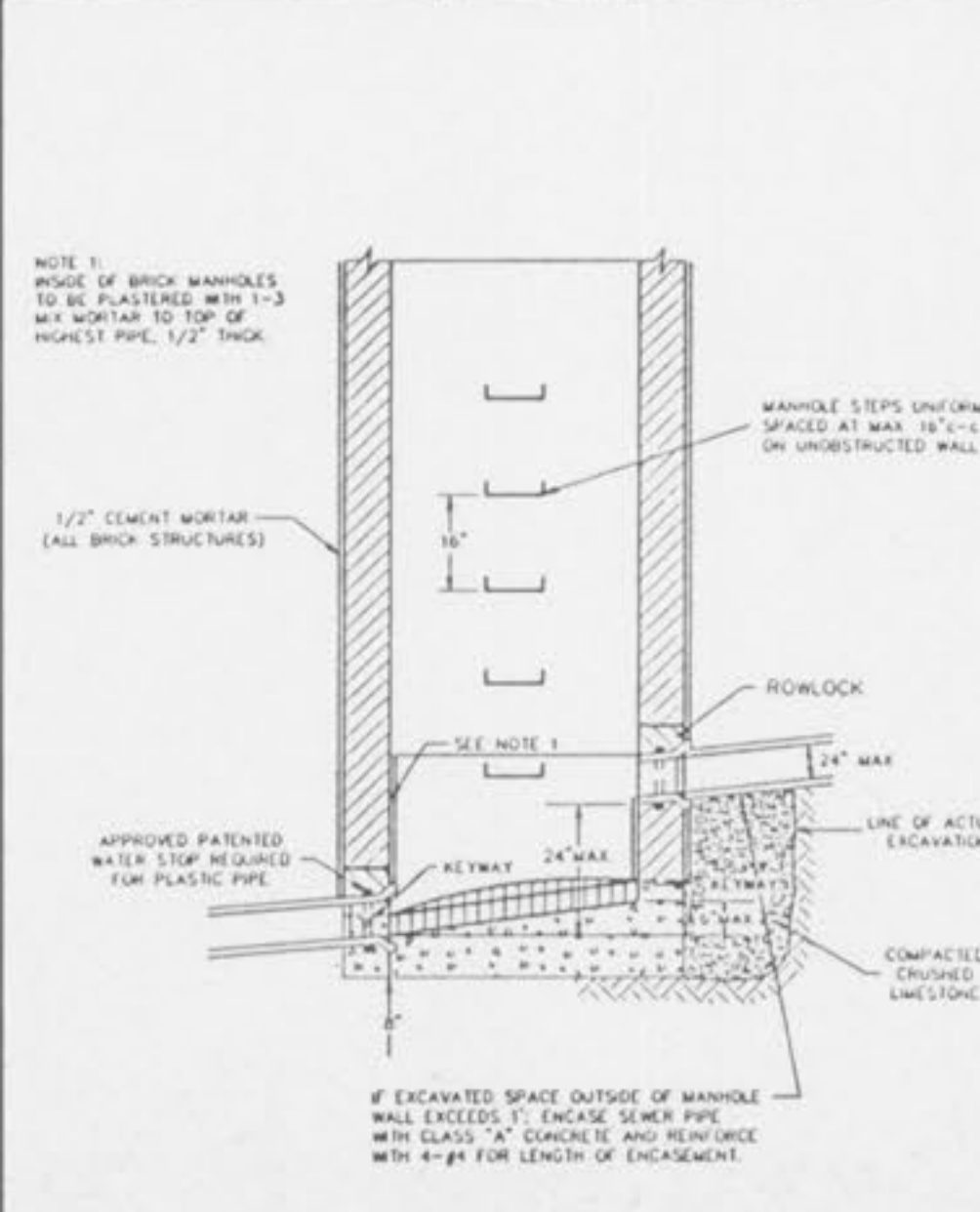
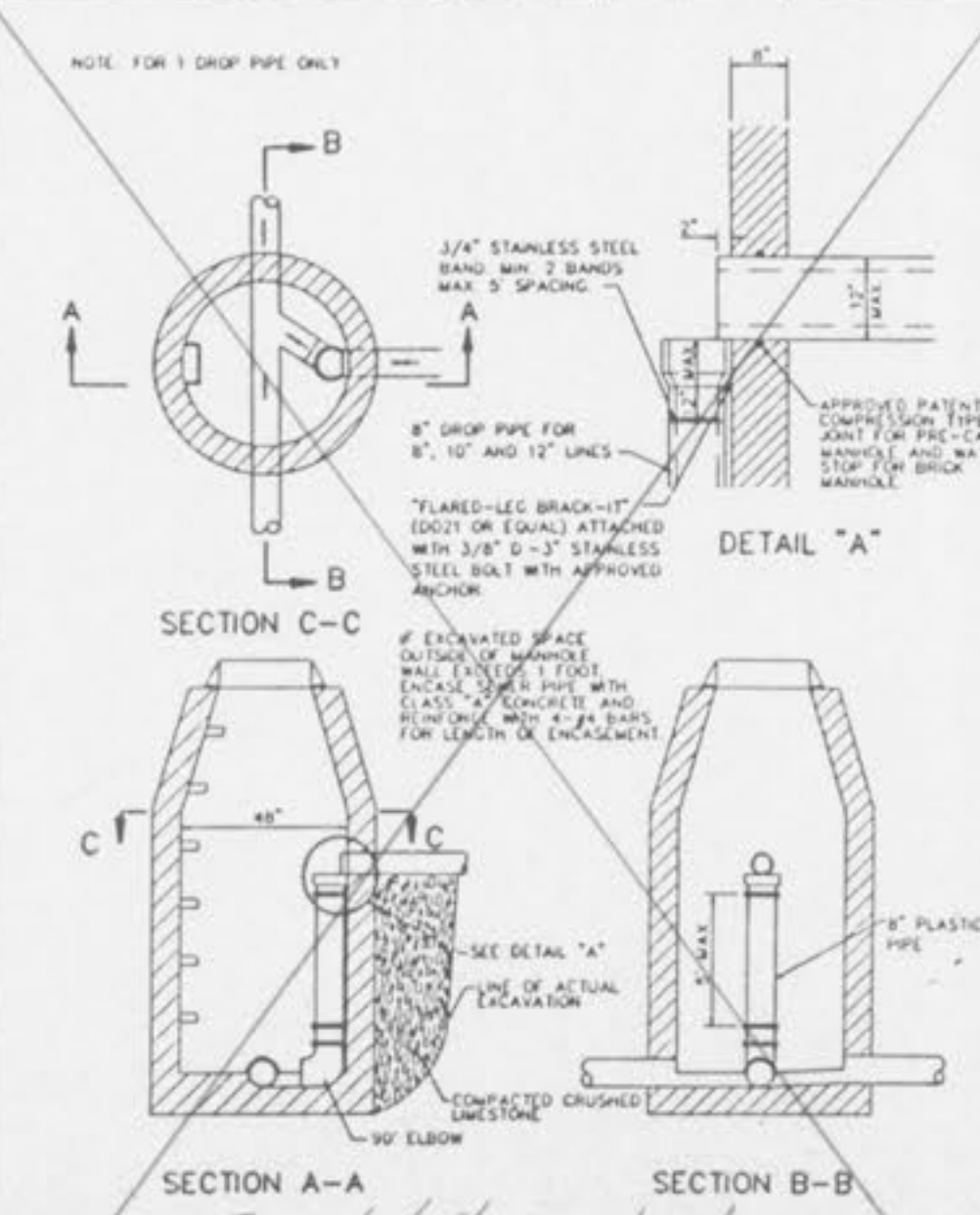
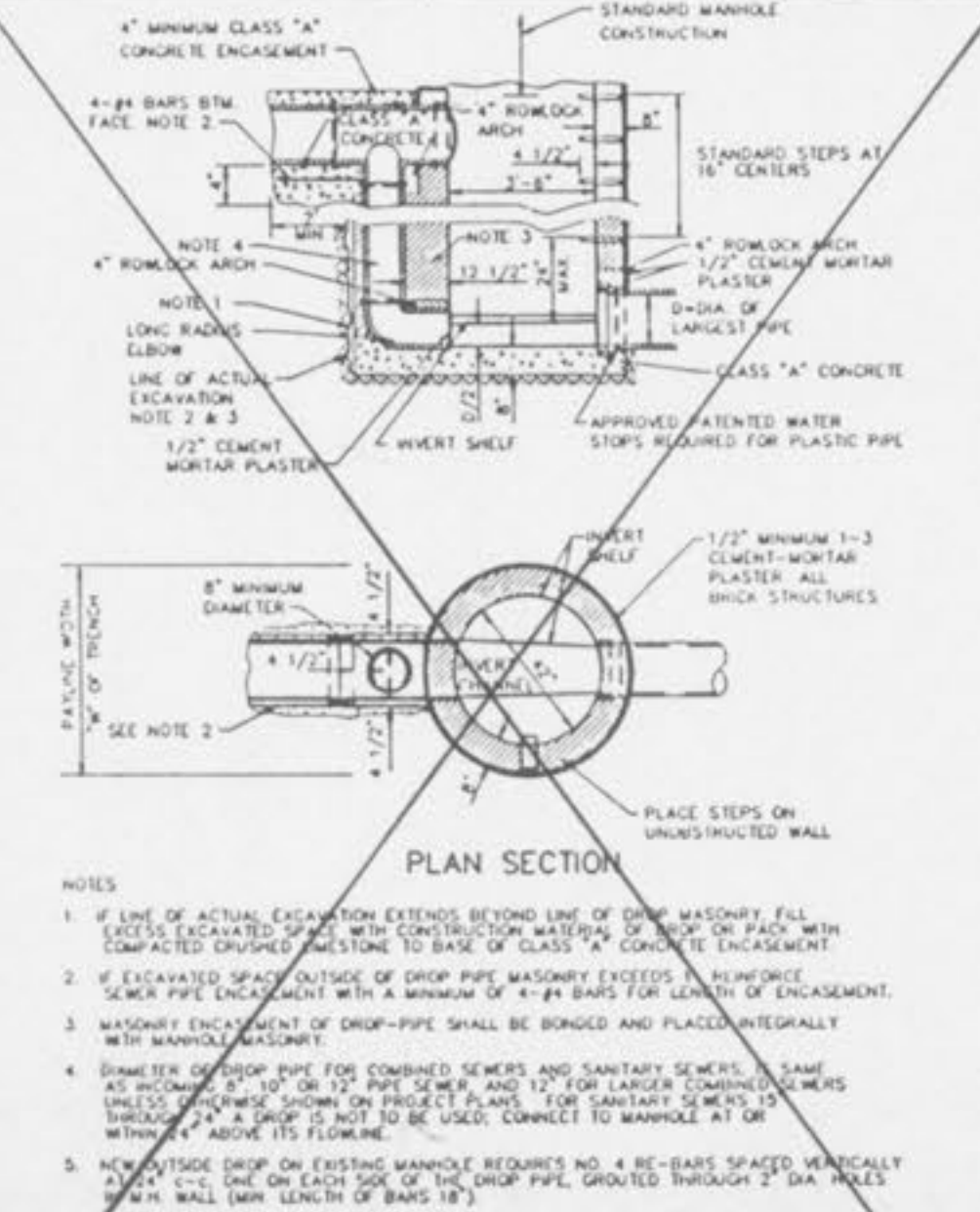
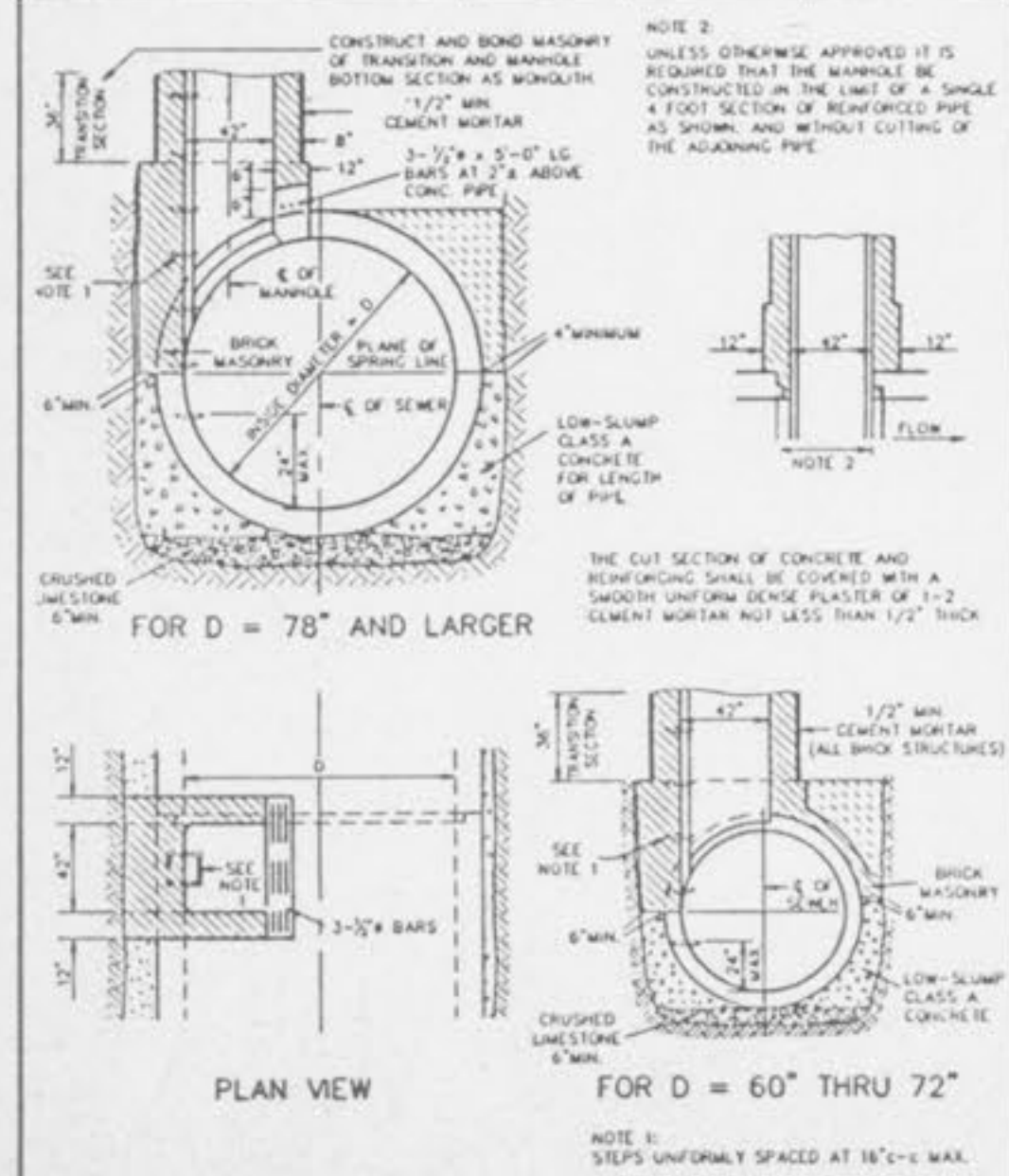
LINE MANHOLE PIPE SEWERS 8"-24" DIA.	METROPOLITAN ST. LOUIS SEWER DISTRICT Standard Details of Sewer Construction Dr. W.S.H. Ch. J.C.K. 1992 SHEET 8
---	--

TYPICAL LINE MANHOLE ON PIPE SEWER 27" THRU 36" IN DIAMETER	METROPOLITAN ST. LOUIS SEWER DISTRICT Standard Details of Sewer Construction Dr. R.G.W. Ch. J.C.K. 1992 SHEET 9
--	--

MANHOLE ON PIPE SEWER 27" THRU 36" (ALTERNATE)	METROPOLITAN ST. LOUIS SEWER DISTRICT Standard Details of Sewer Construction Dr. D.A.B. Ch. J.C.K. 1992 SHEET 10
---	---

MANHOLE ON CONCRETE PIPE SEWERS 39" THRU 54" DIAMETER	METROPOLITAN ST. LOUIS SEWER DISTRICT Standard Details of Sewer Construction Dr. W.S.H. Ch. J.C.K. 1992 SHEET 11
--	---

MANHOLE ON CONC. PIPE 39" THRU 54" (ALTERNATE)	METROPOLITAN ST. LOUIS SEWER DISTRICT Standard Details of Sewer Construction Dr. W.S.H. Ch. J.C.K. 1992 SHEET 12
---	---



TYPICAL MANHOLE BASE REINFORCED CONCRETE PIPE SEWERS 60" AND LARGER IN DIAMETER	METROPOLITAN ST. LOUIS SEWER DISTRICT Standard Details of Sewer Construction Dr. W.S.H. Ch. J.C.K. 1992 SHEET 13
--	---

OUTSIDE FOULWATER DROP MANHOLE	METROPOLITAN ST. LOUIS SEWER DISTRICT Standard Details of Sewer Construction Dr. R.G.W. Ch. J.C.K. 1992 SHEET 14
-----------------------------------	---

INSIDE FOULWATER DROP MANHOLE	METROPOLITAN ST. LOUIS SEWER DISTRICT Standard Details of Sewer Construction Dr. R.G.W. Ch. J.C.K. 1992 SHEET 15
----------------------------------	---

INSIDE FOULWATER DROP MANHOLE (FOR FREE-FALL)	METROPOLITAN ST. LOUIS SEWER DISTRICT Standard Details of Sewer Construction Dr. W.S.H. Ch. J.C.K. 1992 SHEET 16
---	---

TERMINAL MANHOLE	METROPOLITAN ST. LOUIS SEWER DISTRICT Standard Details of Sewer Construction Dr. W.S.H. Ch. J.C.K. 1992 SHEET 17
------------------	---

PRE-CAST CONCRETE MANHOLE FOR SEWERS 8" THROUGH 18"	METROPOLITAN ST. LOUIS SEWER DISTRICT Standard Details of Sewer Construction Dr. W.S.H. Ch. J.C.K. 1992 SHEET 18
---	---