

TYPICAL PRE-CAST MH. TEE FOR REINFORCED CONCRETE PIPE SEWERS 48\"/>

METROPOLITAN ST. LOUIS SEWER DISTRICT Standard Details of Sewer Construction
Dr. W.S.H. Ch. J.C.K. 1992 SHEET 19

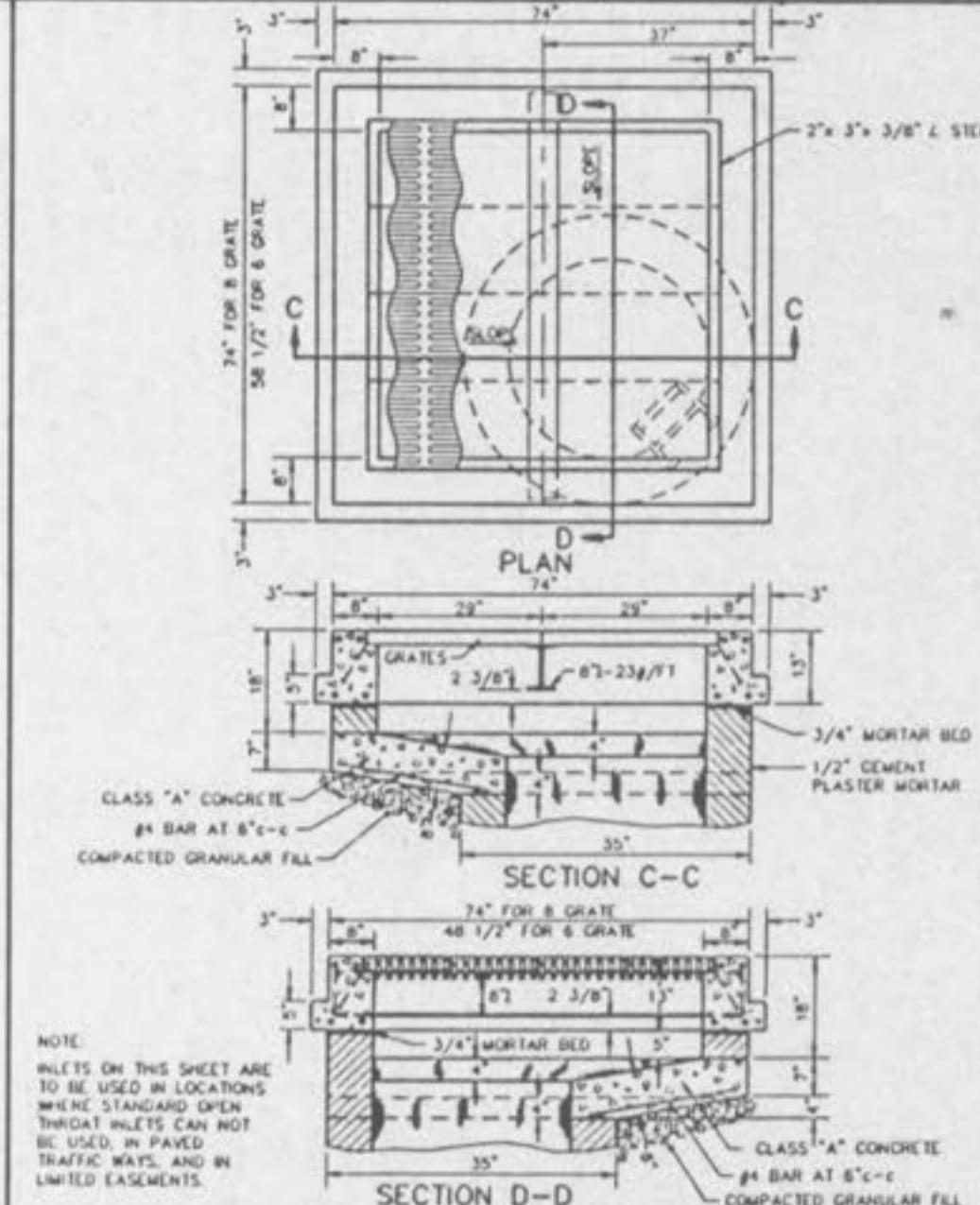
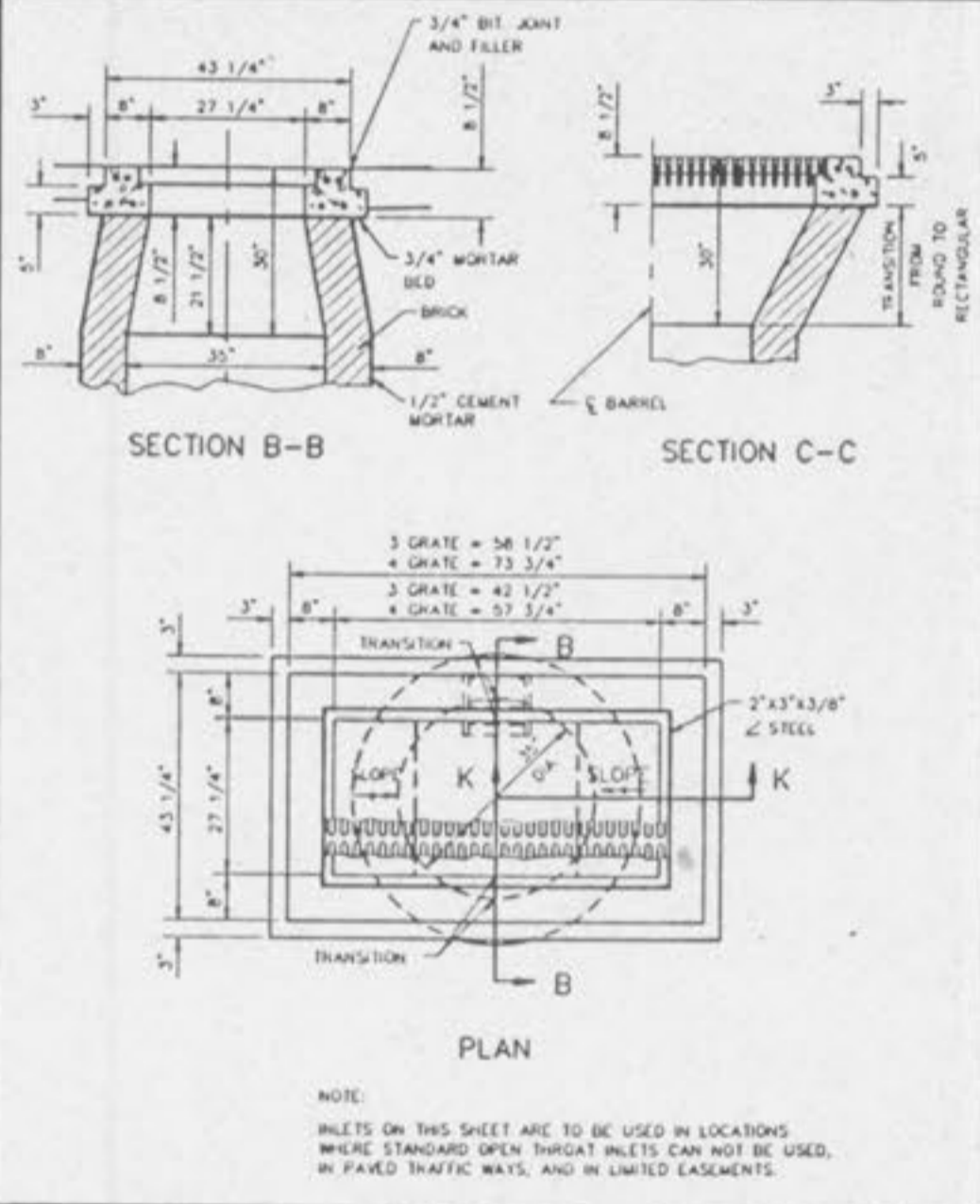
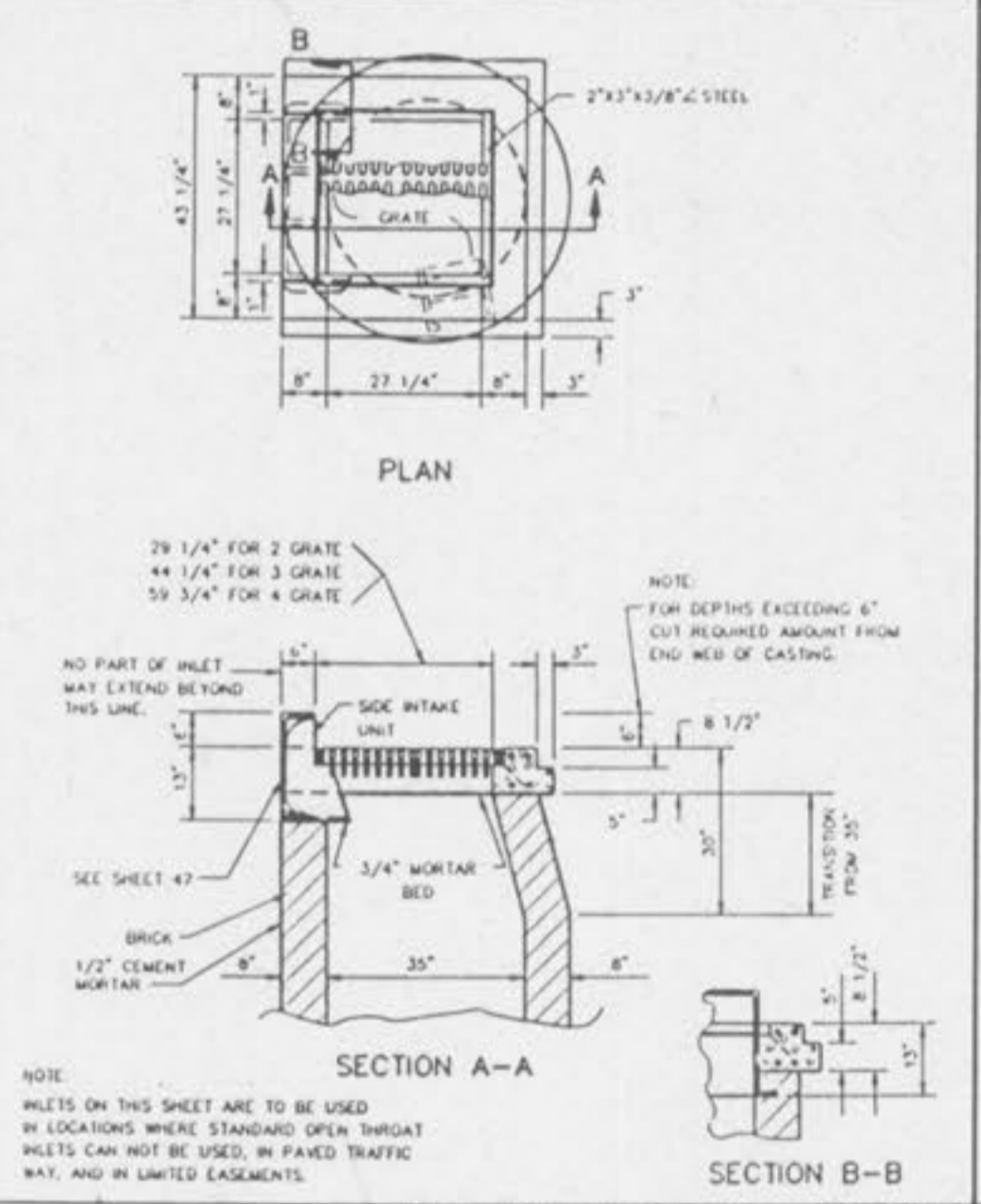
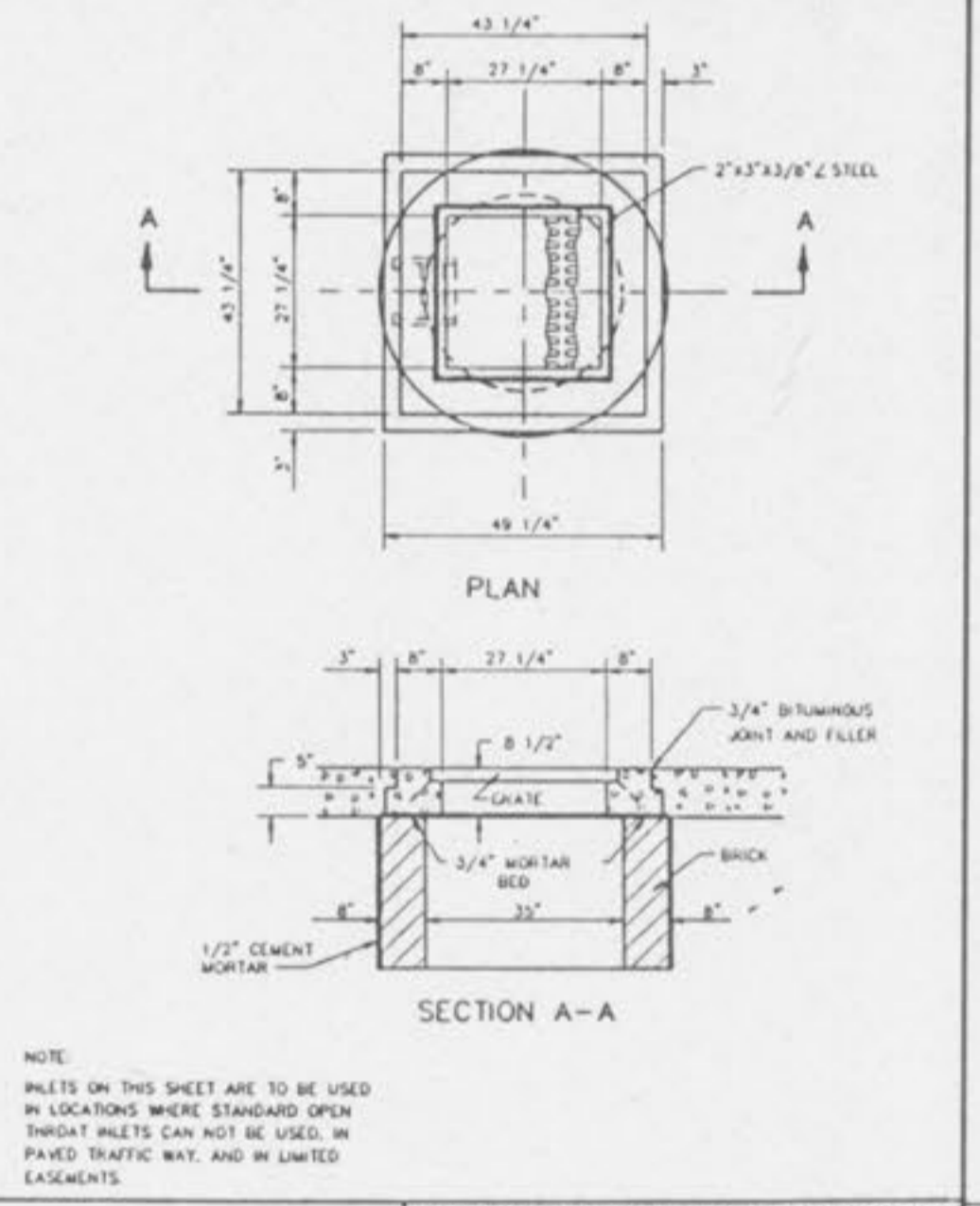
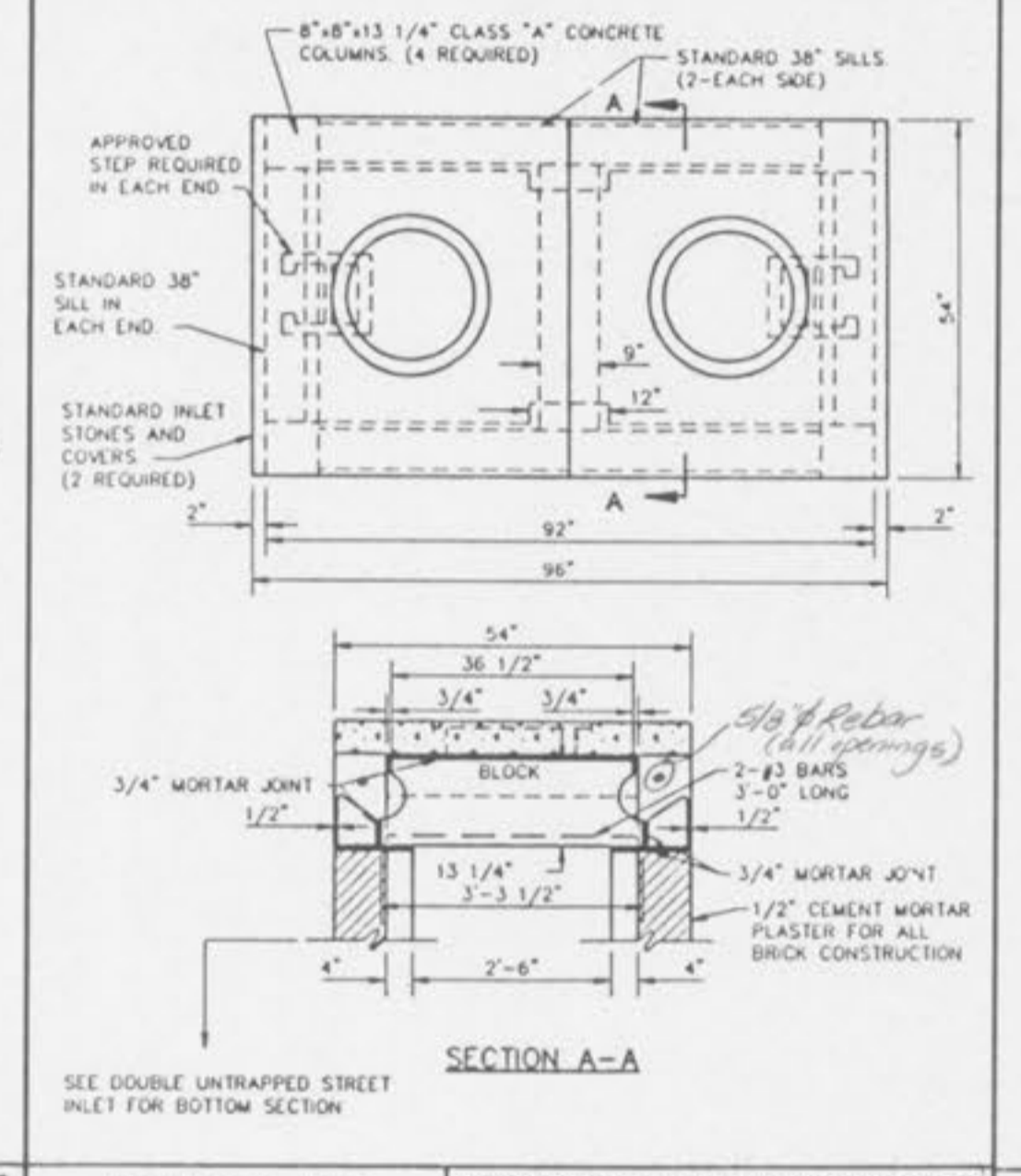
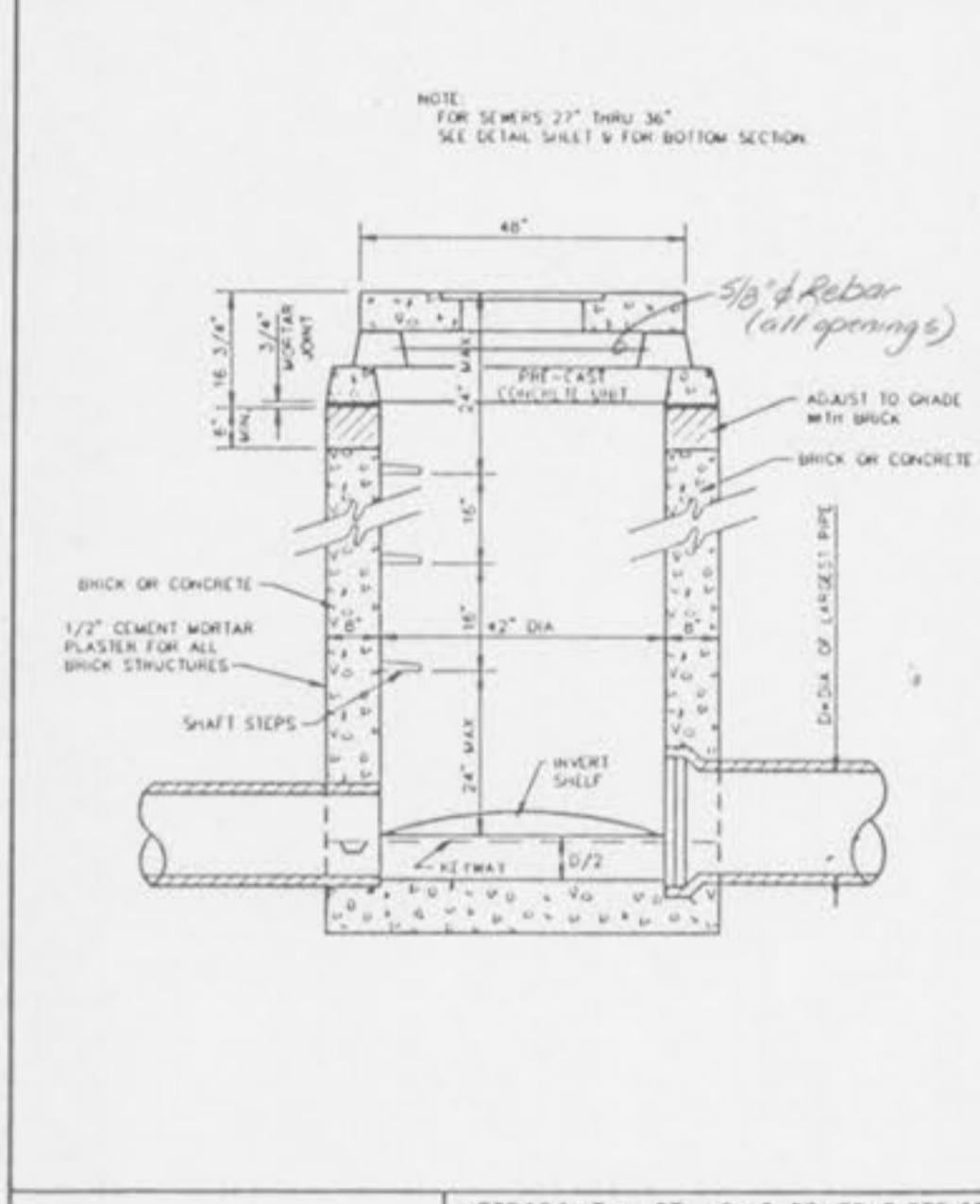
UNTRAPPED STREET INLET BRICK CONSTRUCTION METROPOLITAN ST. LOUIS SEWER DISTRICT Standard Details of Sewer Construction
Dr. W.S.H. Ch. J.C.K. 1992 SHEET 20

TRAPPED STREET INLET BRICK CONSTRUCTION METROPOLITAN ST. LOUIS SEWER DISTRICT Standard Details of Sewer Construction
Dr. W.S.H. Ch. J.C.K. 1992 SHEET 21

MULTIPLE STREET INLET BRICK CONSTRUCTION METROPOLITAN ST. LOUIS SEWER DISTRICT Standard Details of Sewer Construction
Dr. D.A.B. Ch. J.C.K. 1992 SHEET 22

DOUBLE UNTRAPPED STREET INLET BRICK CONSTRUCTION METROPOLITAN ST. LOUIS SEWER DISTRICT Standard Details of Sewer Construction
Dr. D.A.B. Ch. J.C.K. 1992 SHEET 23

AREA INLET OPEN 4 SIDES BRICK CONSTRUCTION METROPOLITAN ST. LOUIS SEWER DISTRICT Standard Details of Sewer Construction
Dr. R.G.W. Ch. J.C.K. 1992 SHEET 24



AREA INLET MANHOLE (12\"/>

DOUBLE AREA INLET OPEN 4 SIDES BRICK CONSTRUCTION METROPOLITAN ST. LOUIS SEWER DISTRICT Standard Details of Sewer Construction
Dr. R.G.W. Ch. J.C.K. 1992 SHEET 26

2 GRATE INLET BRICK CONSTRUCTION METROPOLITAN ST. LOUIS SEWER DISTRICT Standard Details of Sewer Construction
Dr. R.G.W. Ch. J.C.K. 1992 SHEET 27

2 GRATE INLET WITH SIDE INTAKE BRICK CONSTRUCTION METROPOLITAN ST. LOUIS SEWER DISTRICT Standard Details of Sewer Construction
Dr. R.G.W. Ch. J.C.K. 1992 SHEET 28

3 & 4 GRATE INLET BRICK CONSTRUCTION METROPOLITAN ST. LOUIS SEWER DISTRICT Standard Details of Sewer Construction
Dr. R.G.W. Ch. J.C.K. 1992 SHEET 29

6 & 8 GRATE INLET BRICK CONSTRUCTION METROPOLITAN ST. LOUIS SEWER DISTRICT Standard Details of Sewer Construction
Dr. W.S.H. Ch. J.C.K. 1992 SHEET 30

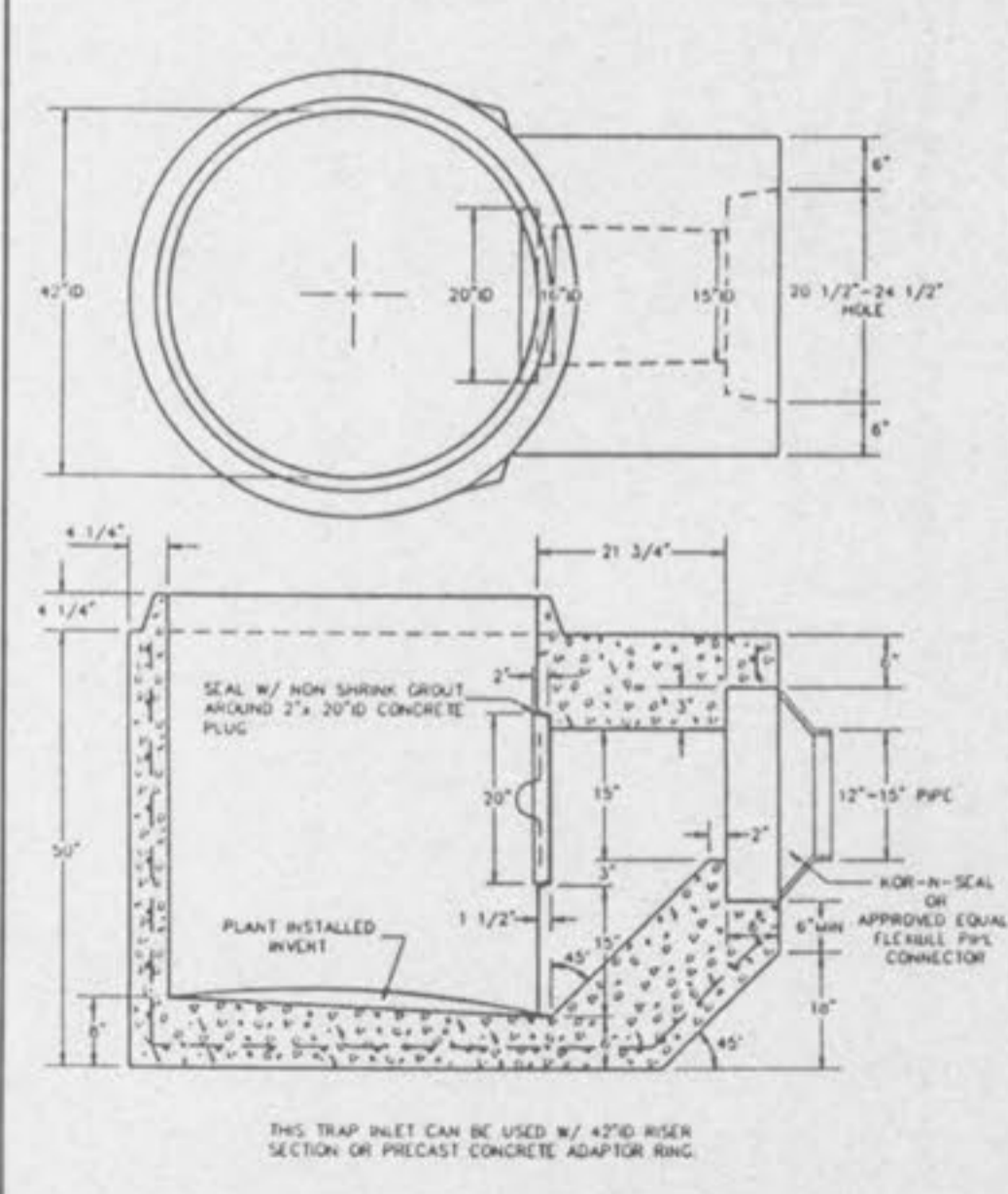
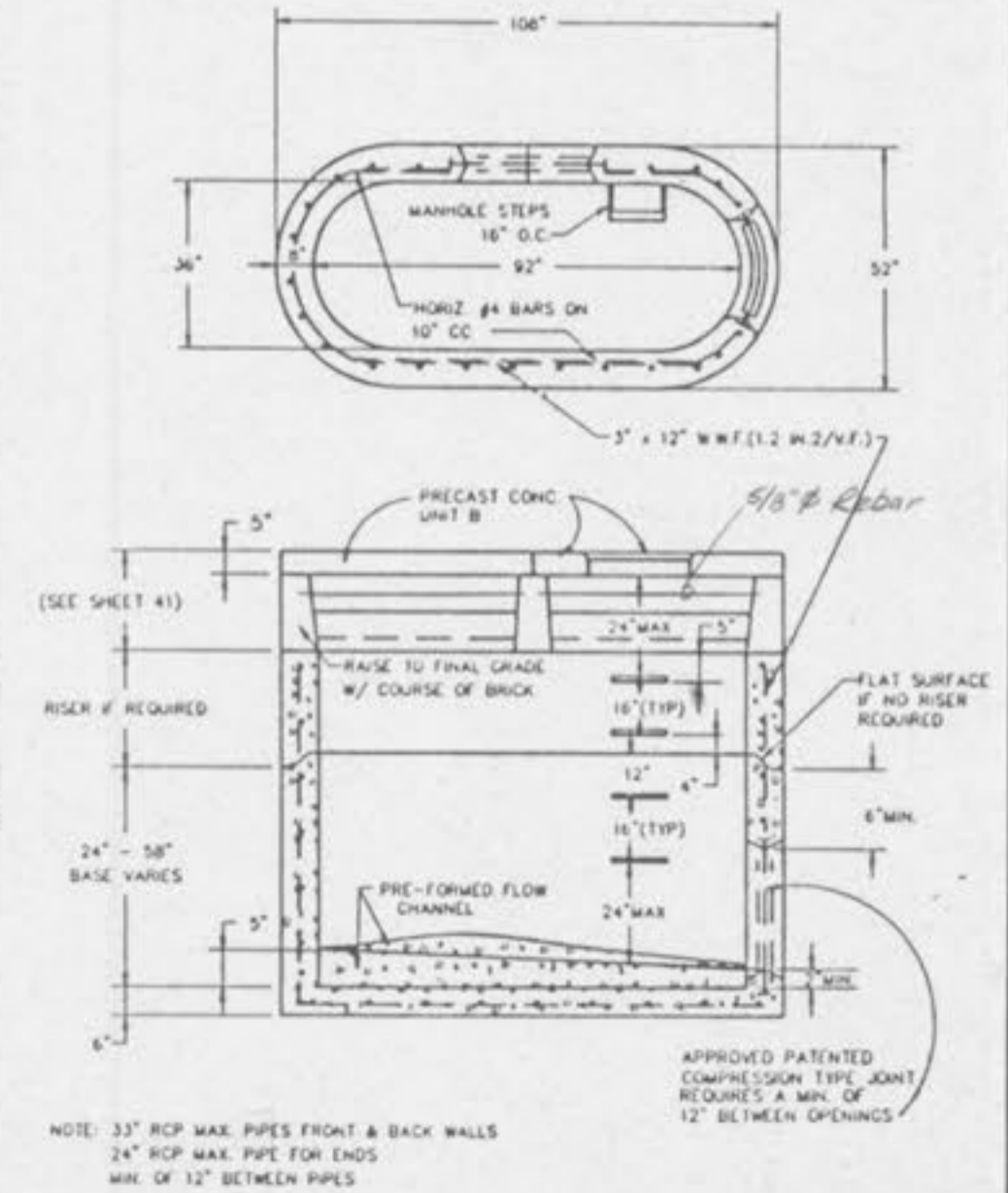
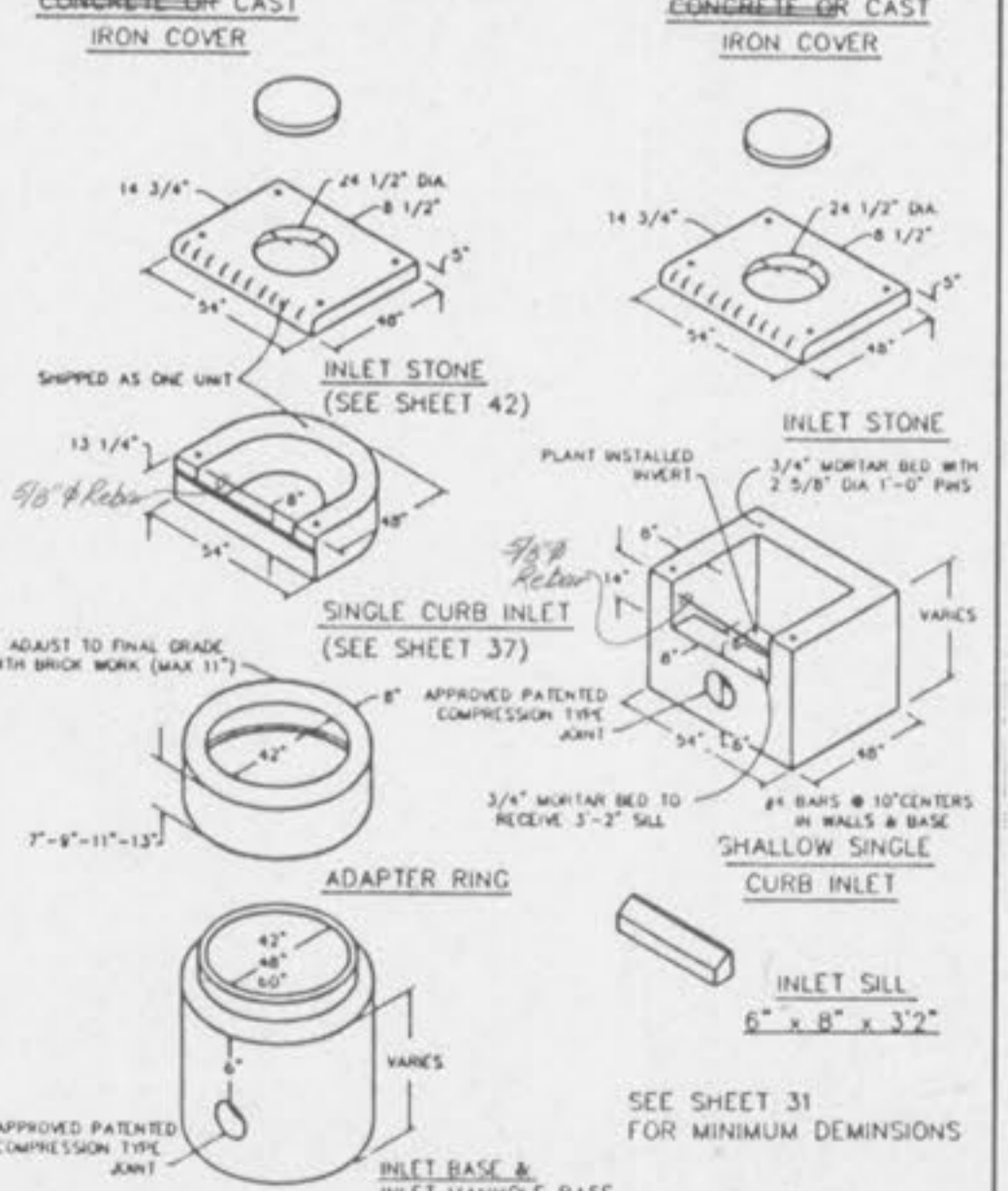
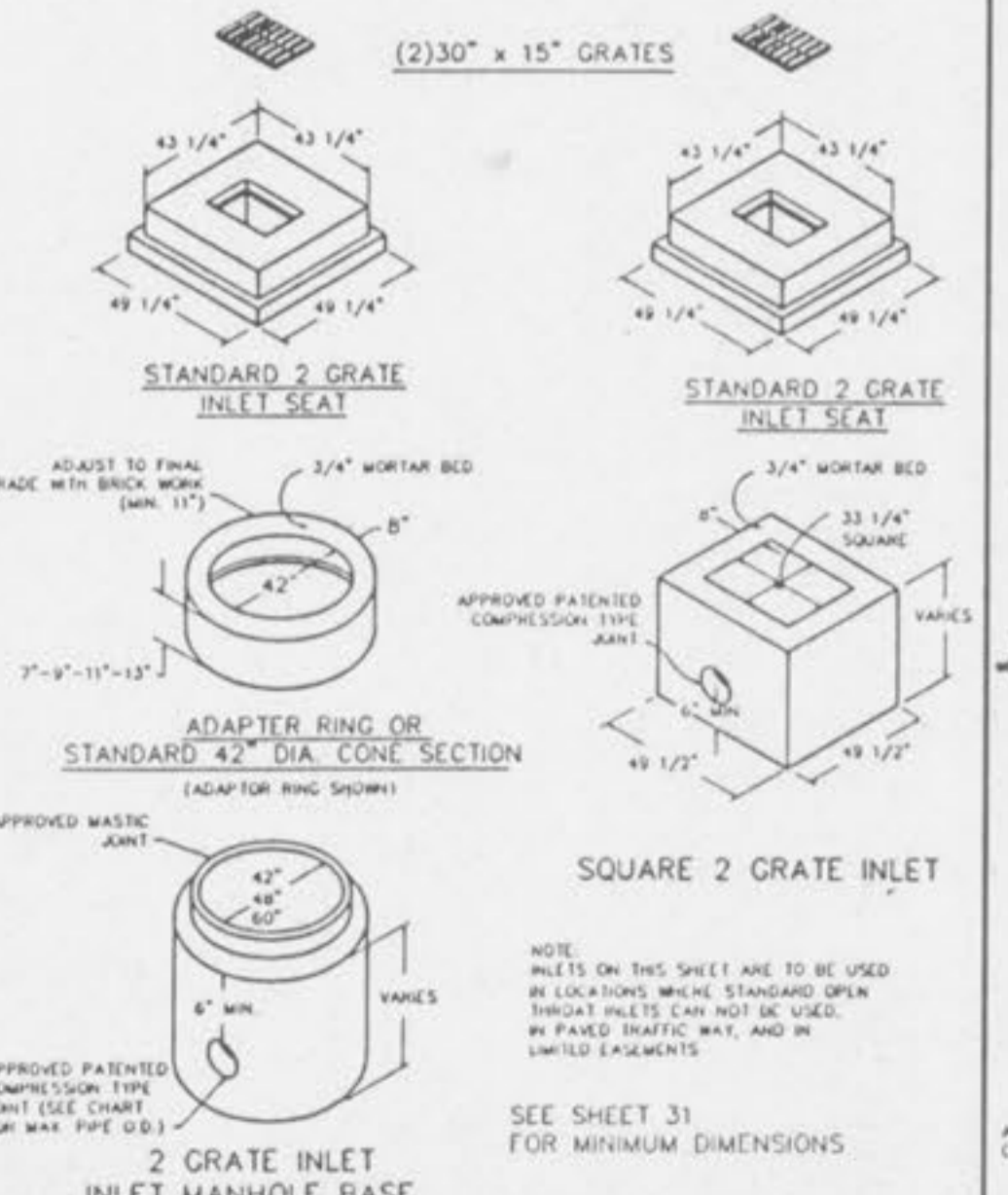
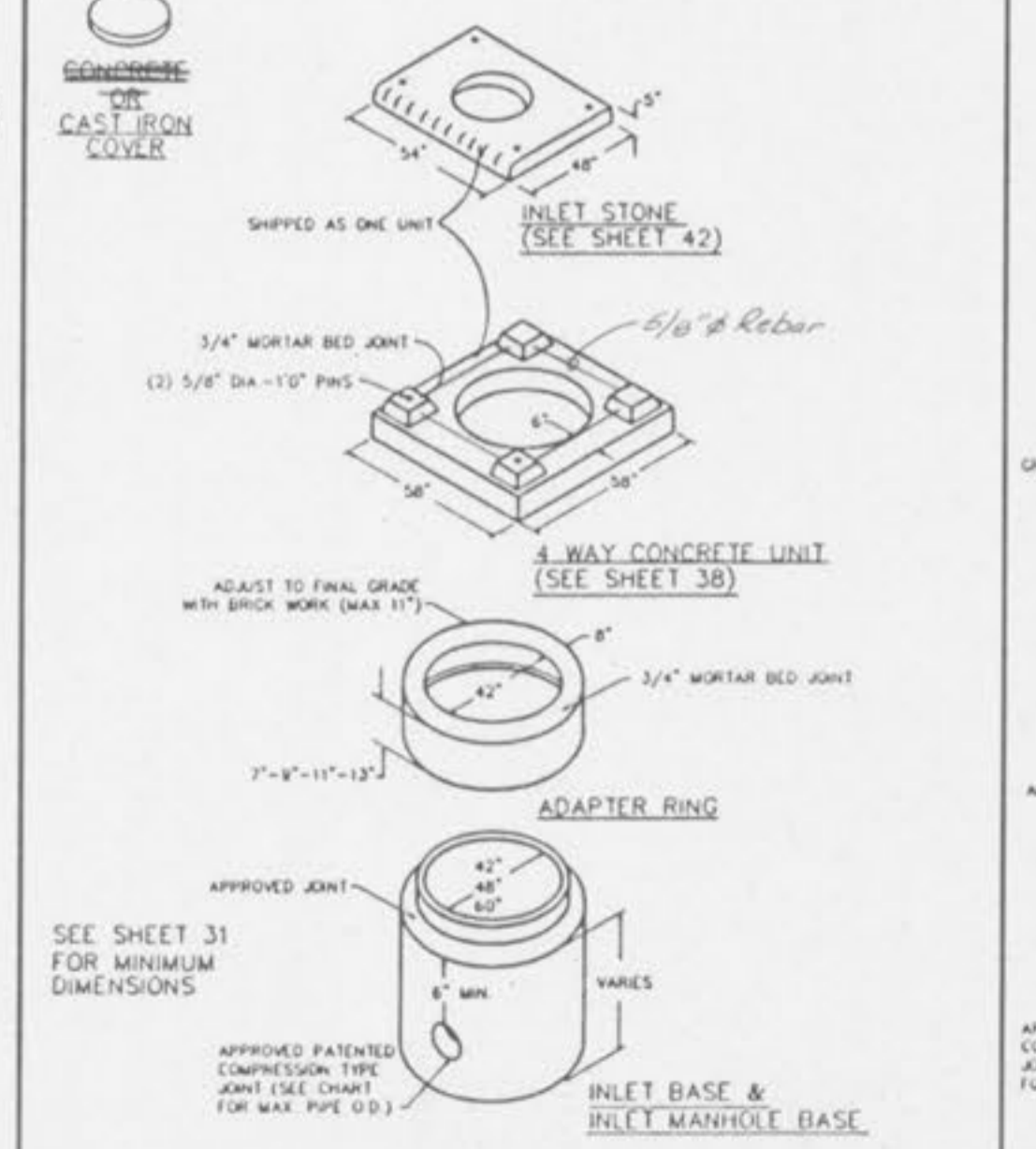
PRECAST CONCRETE STORMWATER STRUCTURES

MINIMUM DISTANCE FLOWLINE TO TOP OF STONE OR GRATE

PIPE ID NOMINAL INCHES	AREA INLETS		2 GRATE INLETS		SINGLE STREET INLETS	
	CIRCULAR BASE DIA.	SQUARE CIRCULAR BASE DIA.	CIRCULAR BASE DIA.	SQUARE CIRCULAR BASE DIA.	CIRCULAR BASE DIA.	RECTANGULAR BASE DIA.
12"	42"	48"	42"	48"	42"	48"
15"	48"	54"	48"	54"	48"	54"
18"	54"	60"	54"	60"	54"	60"
21"	60"	66"	60"	66"	60"	66"
24"	66"	72"	66"	72"	66"	72"
27"	72"	78"	72"	78"	72"	78"
30"	78"	84"	78"	84"	78"	84"
33"	84"	90"	84"	90"	84"	90"

(SEE SHEET 32 FOR DETAILS) (SEE SHEET 33 FOR DETAILS) (SEE SHEET 34 FOR DETAILS)

NOTE: 1. 48" DIA. BASE REQUIRES 7" HIGH TRANSITION SECTION TO 42" DIA. SIMILAR TO "ADAPTER RING" SHEET 32.
2. 60" DIA. BASE REQUIRES 24" HIGH CONCENTRIC REDUCER TRANSITION TO 42" DIA. SIMILAR TO "ADAPTER RING" SHEET 32.



PRECAST CONCRETE STORMWATER STRUCTURES METROPOLITAN ST. LOUIS SEWER DISTRICT Standard Details of Sewer Construction
Dr. J.L.G. Ch. J.C.K. SEPT. 1990 SHEET 31

AREA INLET PRECAST CONCRETE METROPOLITAN ST. LOUIS SEWER DISTRICT Standard Details of Sewer Construction
Dr. J.L.G. Ch. J.C.K. APRIL 1992 SHEET 32

2 GRATE INLETS PRECAST CONCRETE METROPOLITAN ST. LOUIS SEWER DISTRICT Standard Details of Sewer Construction
Dr. J.L.G. Ch. J.C.K. APRIL 1992 SHEET 33

SINGLE STREET INLETS PRECAST CONCRETE METROPOLITAN ST. LOUIS SEWER DISTRICT Standard Details of Sewer Construction
Dr. J.L.G. Ch. J.C.K. APRIL 1991 SHEET 34

DOUBLE UNTRAPPED STREET INLET PRECAST CONCRETE METROPOLITAN ST. LOUIS SEWER DISTRICT Standard Details of Sewer Construction
Dr. J.L.G. Ch. J.C.K. SEPT. 1992 SHEET 35

TRAPPED STREET INLET BASE PRECAST CONCRETE METROPOLITAN ST. LOUIS SEWER DISTRICT Standard Details of Sewer Construction
Dr. W.S.H. Ch. J.C.K. 1992 SHEET 36