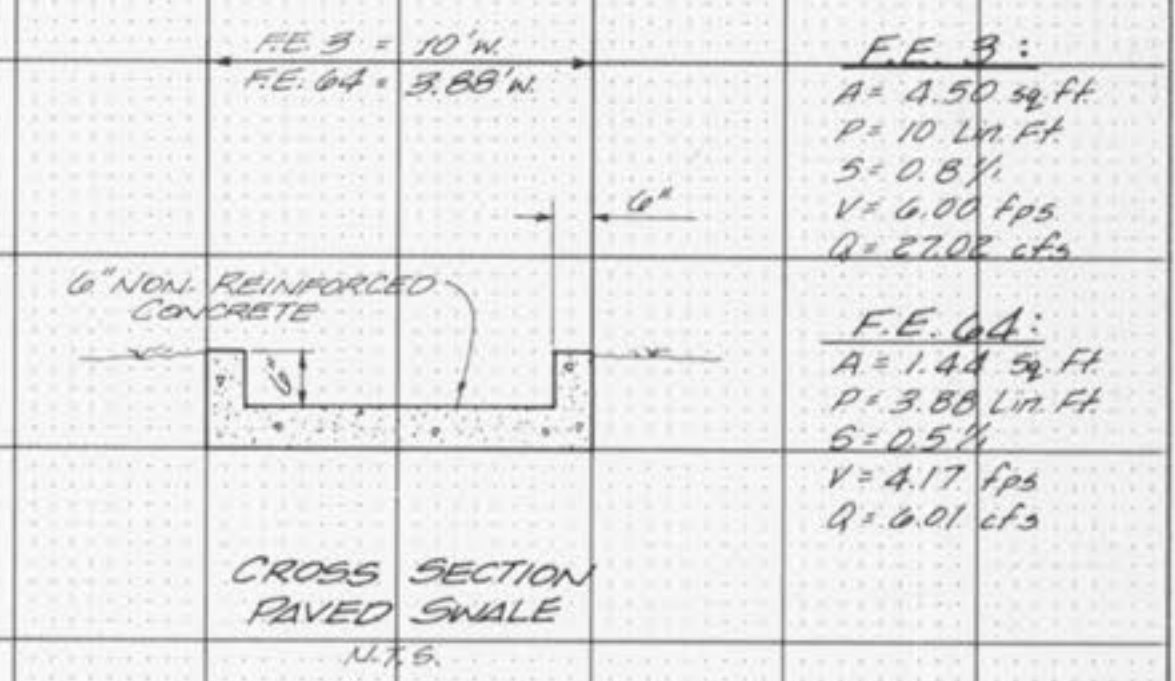
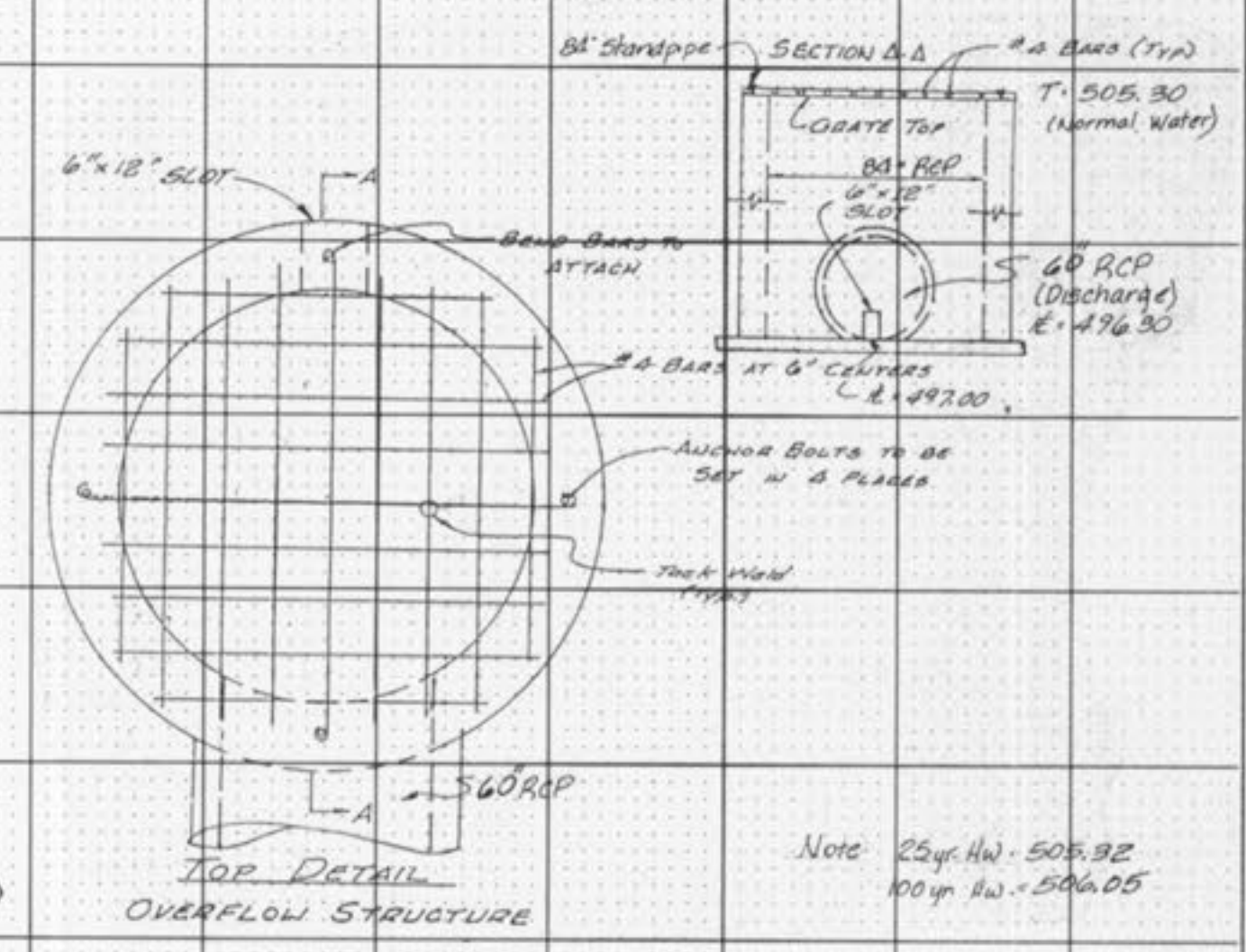
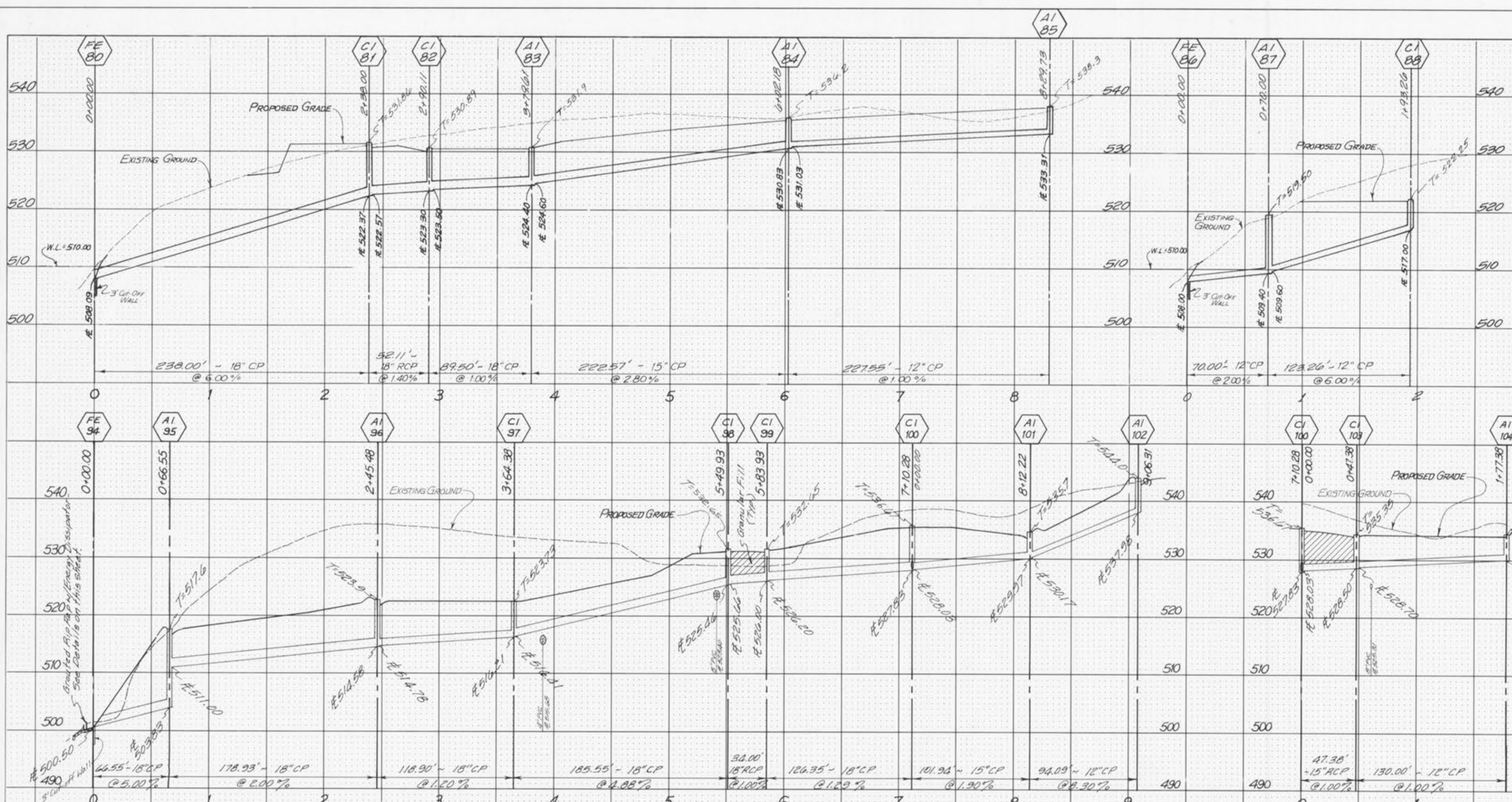
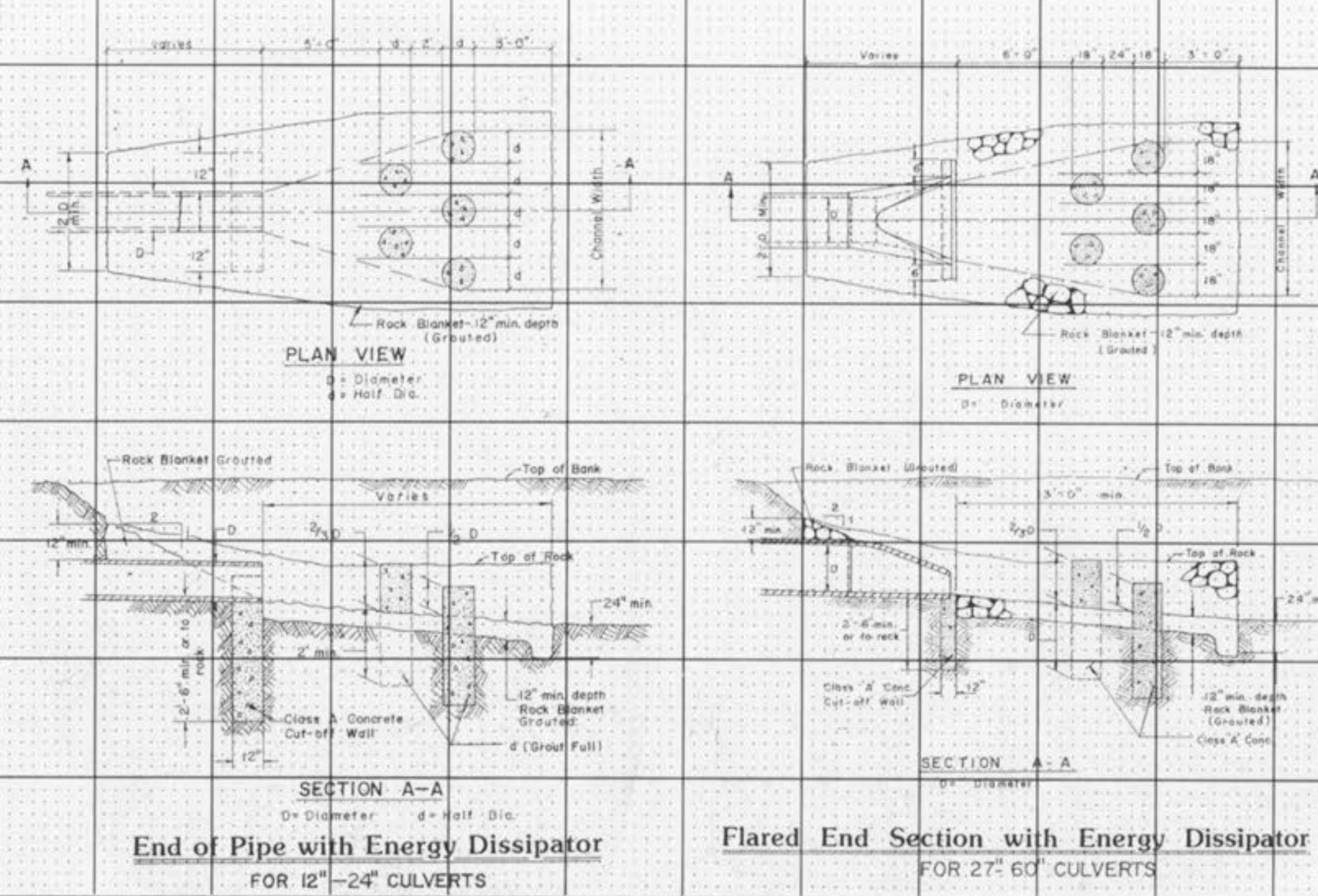
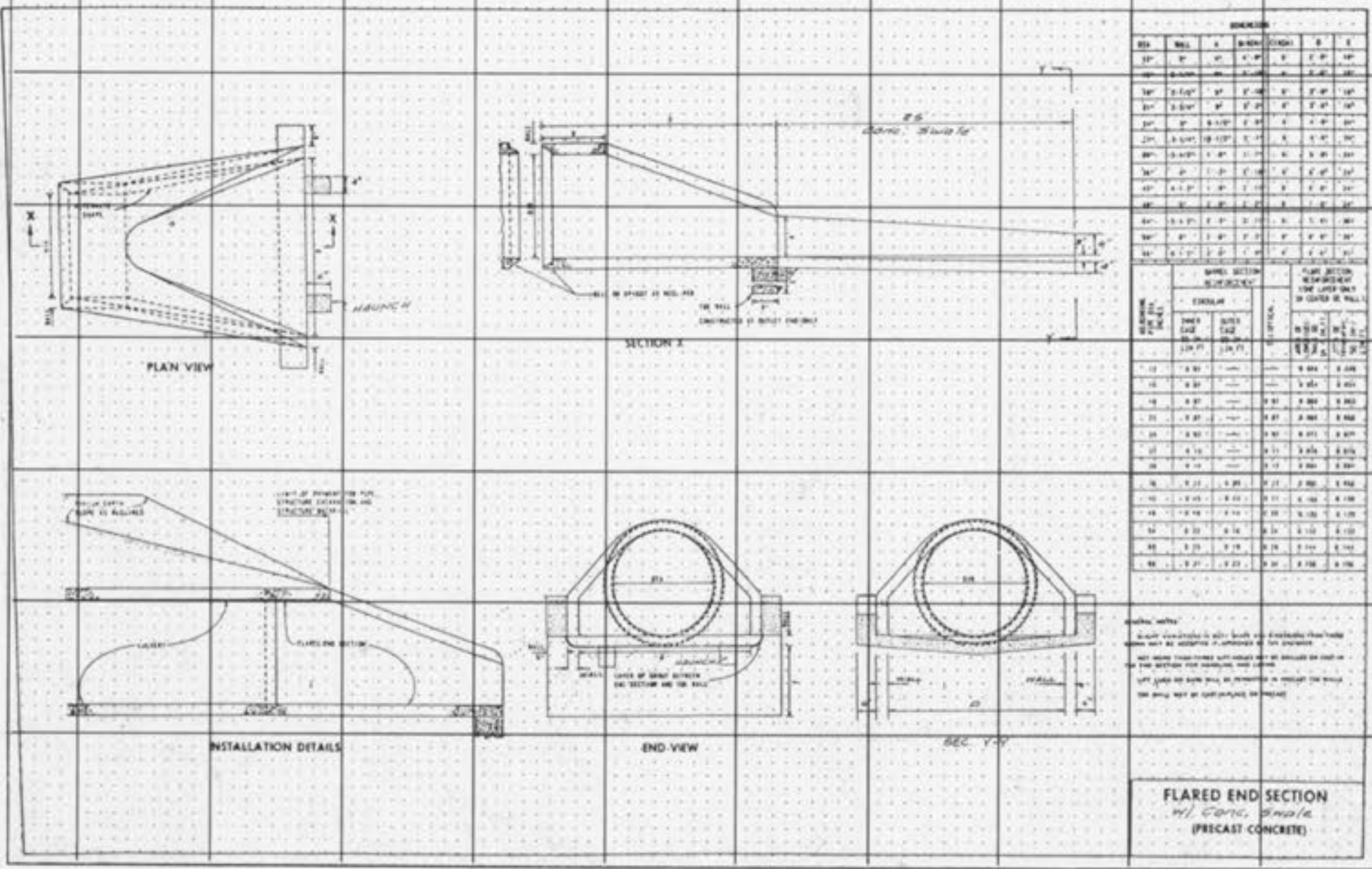


**SCALE**  
 HORIZ: 1" = 50'  
 VERT: 1" = 10'



FINAL SURVEY PLOTTED NOTE BOOK AREAS CHECKED

ORIGINAL SURVEY PLOTTED NOTE BOOK AREAS CHECKED



**SECTION A-A**  
 End of Pipe with Energy Dissipator  
 FOR 12"-24" CULVERTS

**SECTION A-A**  
 Flared End Section with Energy Dissipator  
 FOR 27"-60" CULVERTS